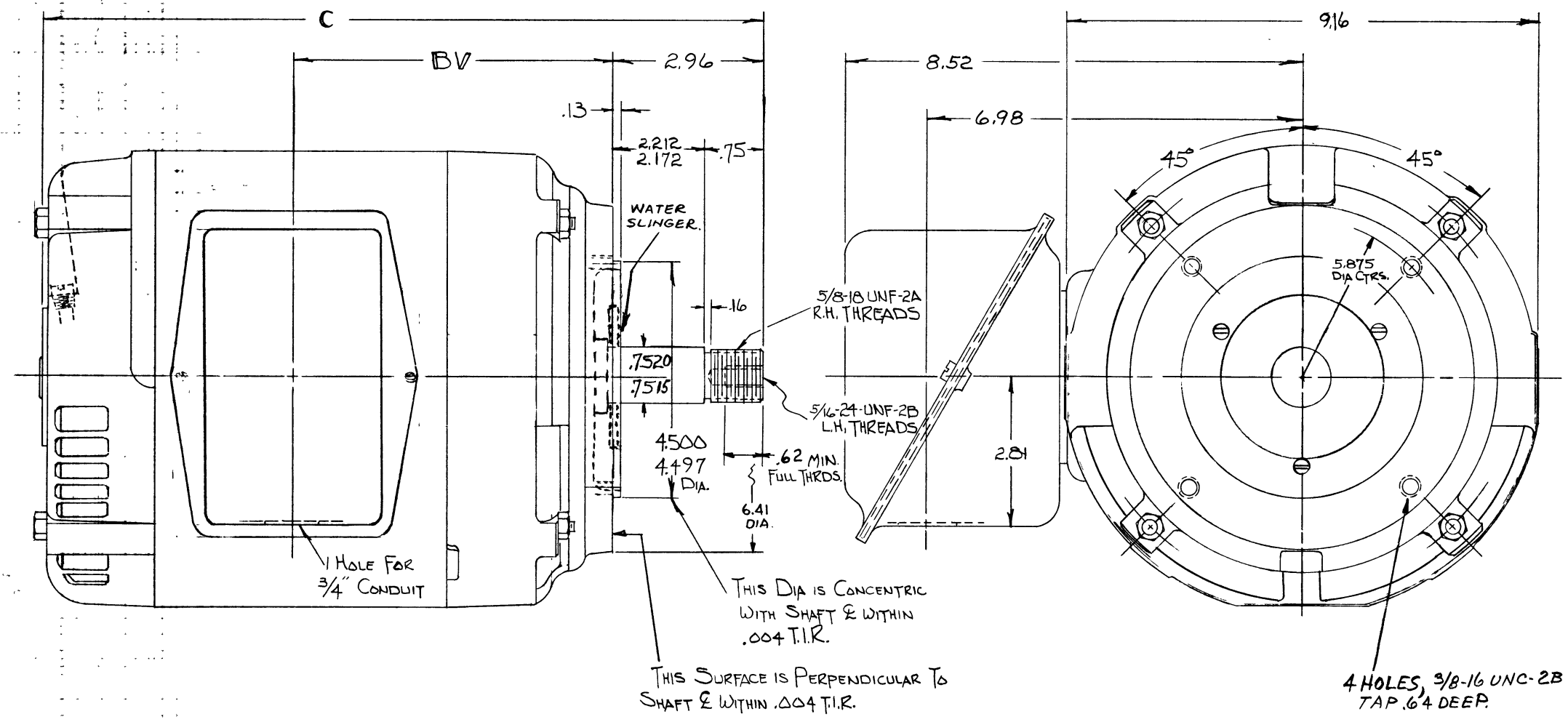


K&E 103548 6-72-10000

REFERENCE						
GR. NO.	TYPE	FRAME SIZE	FORM	C	BV	
4	01	CS	Z184T9	M	15.75	6.31

DEGREE OF STANDARDIZATION

1. THIS DRAWING IS THE PROPERTY OF CENTURY ELECTRIC, INC. IT IS TO BE KEPT IN CONFIDENCE AND NOT TO BE REPRODUCED OR TRANSMITTED IN ANY FORM OR BY ANY MEANS, ELECTRONIC OR MECHANICAL, INCLUDING PHOTOCOPYING, RECORDING, OR BY ANY INFORMATION STORAGE AND RETRIEVAL SYSTEM, WITHOUT THE WRITTEN PERMISSION OF CENTURY ELECTRIC, INC.



CHANGES	DESCRIPTION
1	6-533322-01
2	BV WAS 6.30
3	C WAS 15.58
4	FRAME SIZE WAS S184T9 AND BENT CHANGED TO Z184T9
5	PA 12-10-84
6	SG810
7	WATER SLINGER WAS EXCLUDED
8	EAM 7-31-85
9	67297
10	WATER SLINGER DIA: 7.520 / 7.515
11	DIM EAA 66336
12	2-25-97 6.5

327862 SPEC. 55037

TITLE			
180T DWG O-LINE BB OPEN STL RD FRAME NEMA "C".			
DRAWN BY: <i>[Signature]</i>	Century Electric, Inc. 1831 Chestnut Street, St. Louis, Missouri 63108	CENTURY	
CHECKED BY: <i>[Signature]</i>	CONTROL CODE: 5	DRG. NO.: 337209	SIZE CLASSIFICATION: C 1920
APPROVED BY: <i>[Signature]</i>			

References:	
REV	DATE
4	01
3	08
2	08
1	08
DESIGNER	DATE
CDV	BJS

Quantity of Specifications

1. This drawing is a modification of drawing 337209-1, 1500 DWP O-Line SB Open STL RD Frame NEMA C.

2. The dimensions shown on this drawing are in inches unless otherwise specified.

3. All dimensions are to be held unless otherwise specified.

4. All surfaces are to be finished unless otherwise specified.

5. All surfaces are to be perpendicular to the axis of rotation unless otherwise specified.

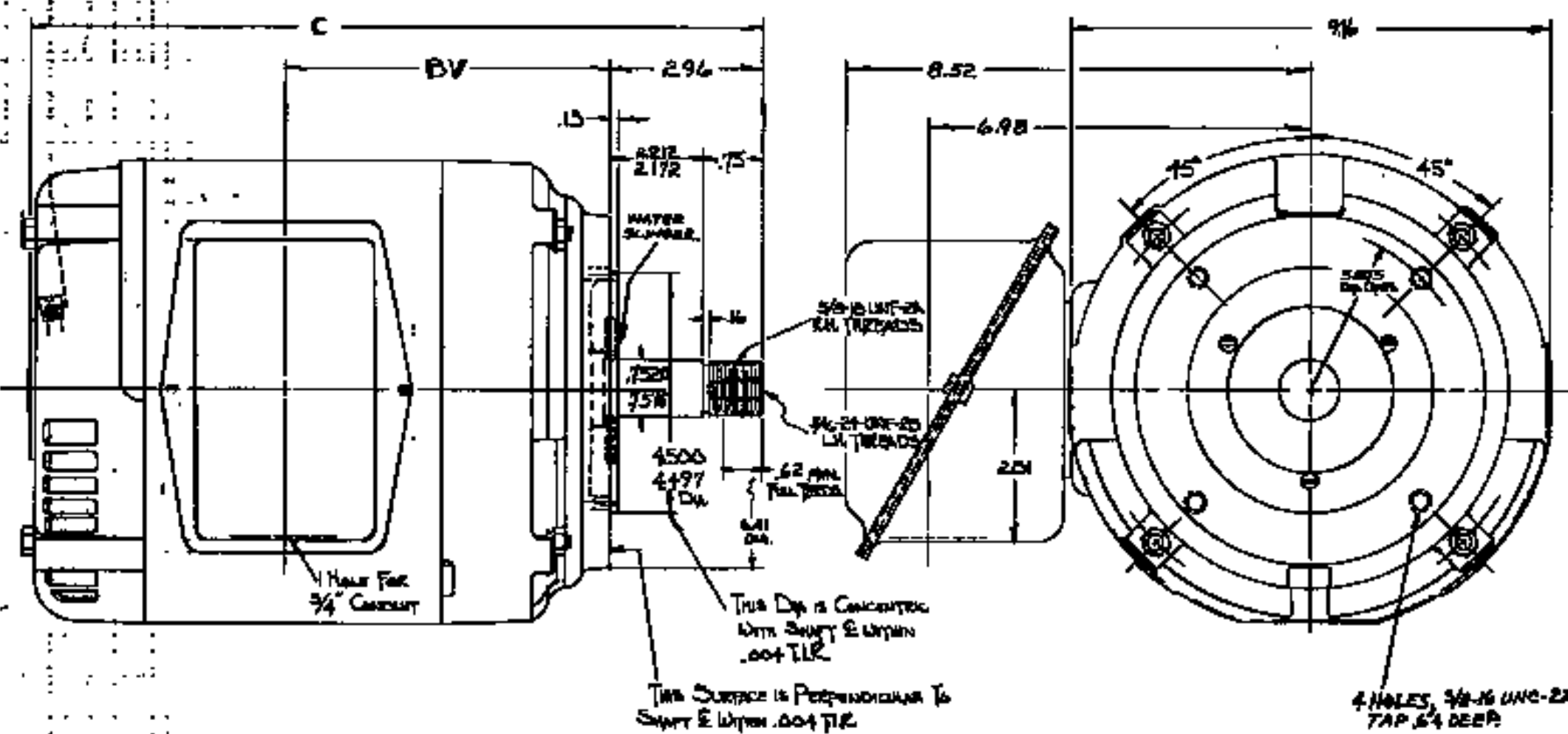
6. All surfaces are to be perpendicular to the axis of rotation unless otherwise specified.

7. All surfaces are to be perpendicular to the axis of rotation unless otherwise specified.

8. All surfaces are to be perpendicular to the axis of rotation unless otherwise specified.

9. All surfaces are to be perpendicular to the axis of rotation unless otherwise specified.

10. All surfaces are to be perpendicular to the axis of rotation unless otherwise specified.



See 337209

1. This drawing is a modification of drawing 337209-1, 1500 DWP O-Line SB Open STL RD Frame NEMA C.

2. The dimensions shown on this drawing are in inches unless otherwise specified.

3. All dimensions are to be held unless otherwise specified.

4. All surfaces are to be finished unless otherwise specified.

5. All surfaces are to be perpendicular to the axis of rotation unless otherwise specified.

6. All surfaces are to be perpendicular to the axis of rotation unless otherwise specified.

7. All surfaces are to be perpendicular to the axis of rotation unless otherwise specified.

8. All surfaces are to be perpendicular to the axis of rotation unless otherwise specified.

9. All surfaces are to be perpendicular to the axis of rotation unless otherwise specified.

10. All surfaces are to be perpendicular to the axis of rotation unless otherwise specified.

TITLE: 1500 DWP O-Line SB OPEN STL RD FRAME NEMA C.

REV: 5

DATE: 337209

DATE: 1980