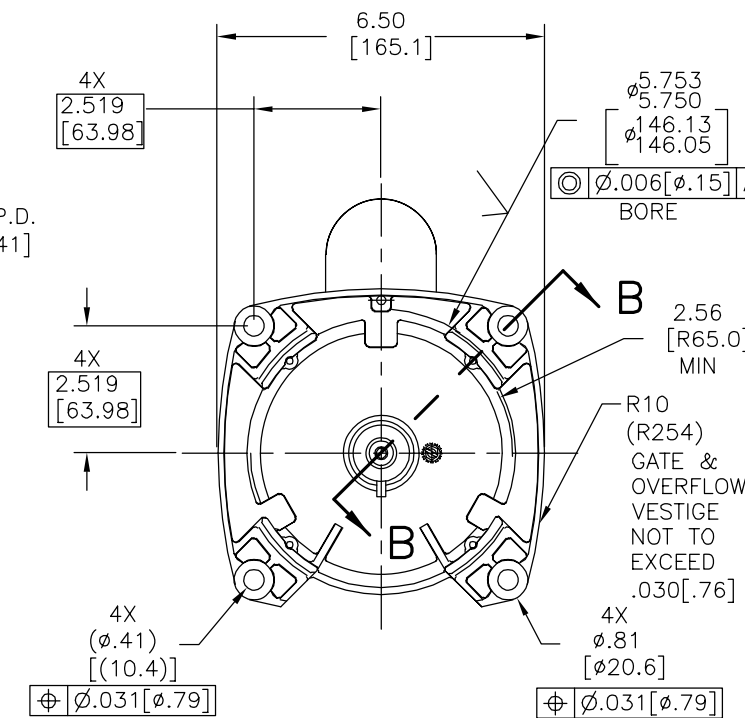
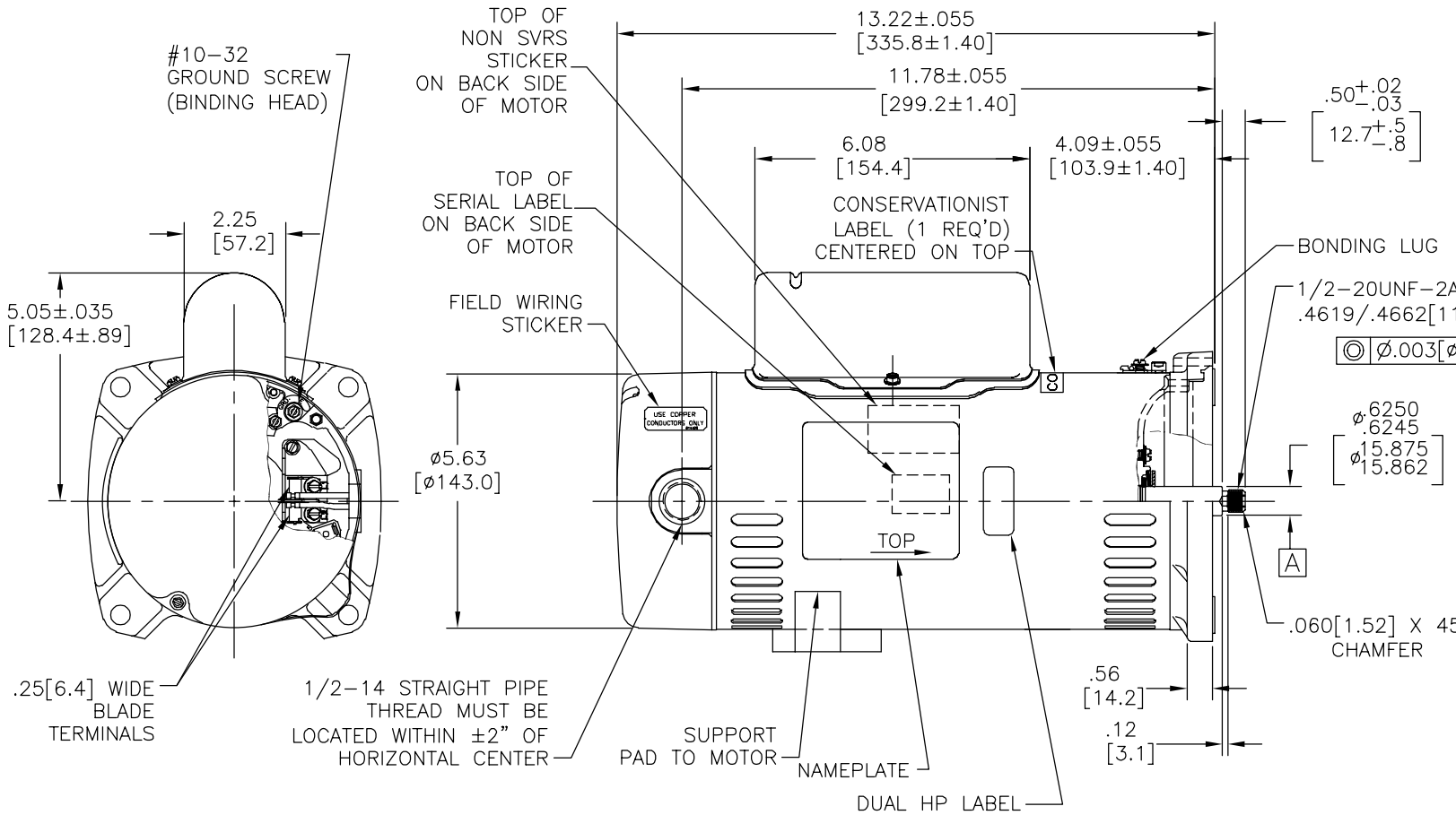
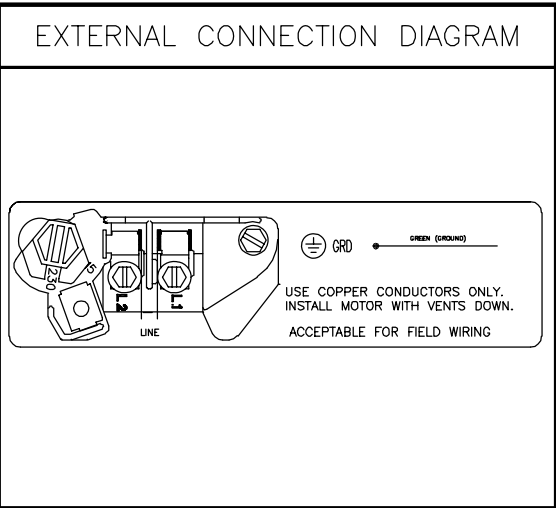


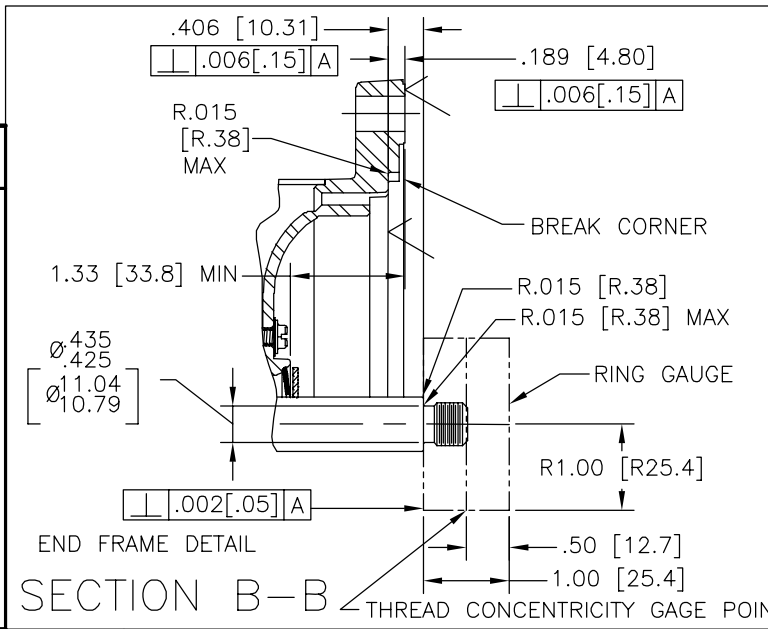
REV	ECO	REV BY	DATE	APPD	DATE
E	0025584	J.AGUILERA	04-25-2012	R.RASCON	04-25-2012



NAMEPLATE DATA	
MODEL: K48M2PA105C5	
CUST PN: USQ1202	
HP: 2.0	SF: 1.10
ROT: CCWPE	
RPM: 3450	
TYPE: UAK	CODE: H
FORM:	FRAME: 48 Y
VOLTS: 230	
AMPS:	
MAX AMPS: 10.4	
SF AMPS: -	
PH: 1	HZ: 60
INS: B	AMB: 50°C
DUTY: CONT	
ENCLOSURE: ODP	
THERMALLY PROTECTED	



- | NOTES |
|---|
| 1. FINISH PAINT TO BE SATIN BLACK. |
| 2. .44 [11.2] WRENCH FLATS ON SHAFT-FOR ACCESS TO THIS WRENCH FLAT REMOVE END COVER. |
| 3. STAINLESS STEEL SHAFT EXT. |
| 4. LIMITS ON AMPLITUDE OF VIBRATION MEASURED AT BEARING HOUSING = .001 [.03]. |
| 5. CAPACITOR HOUSING TO BE LOCATED WITHIN ±2.5' OF VERTICAL ϕ OF END FRAME (P.E.). |



PERFORMANCE CURVE	APPROVED SAMPLE		
K48M2W2			
UL COMPONENT	CSA		
FILE#	CCN#	FILE#	GUIDE#
E25022	XEWR2	LR43341	4211-01
CUSTOMER	DISTRIBUTION SERVICES		

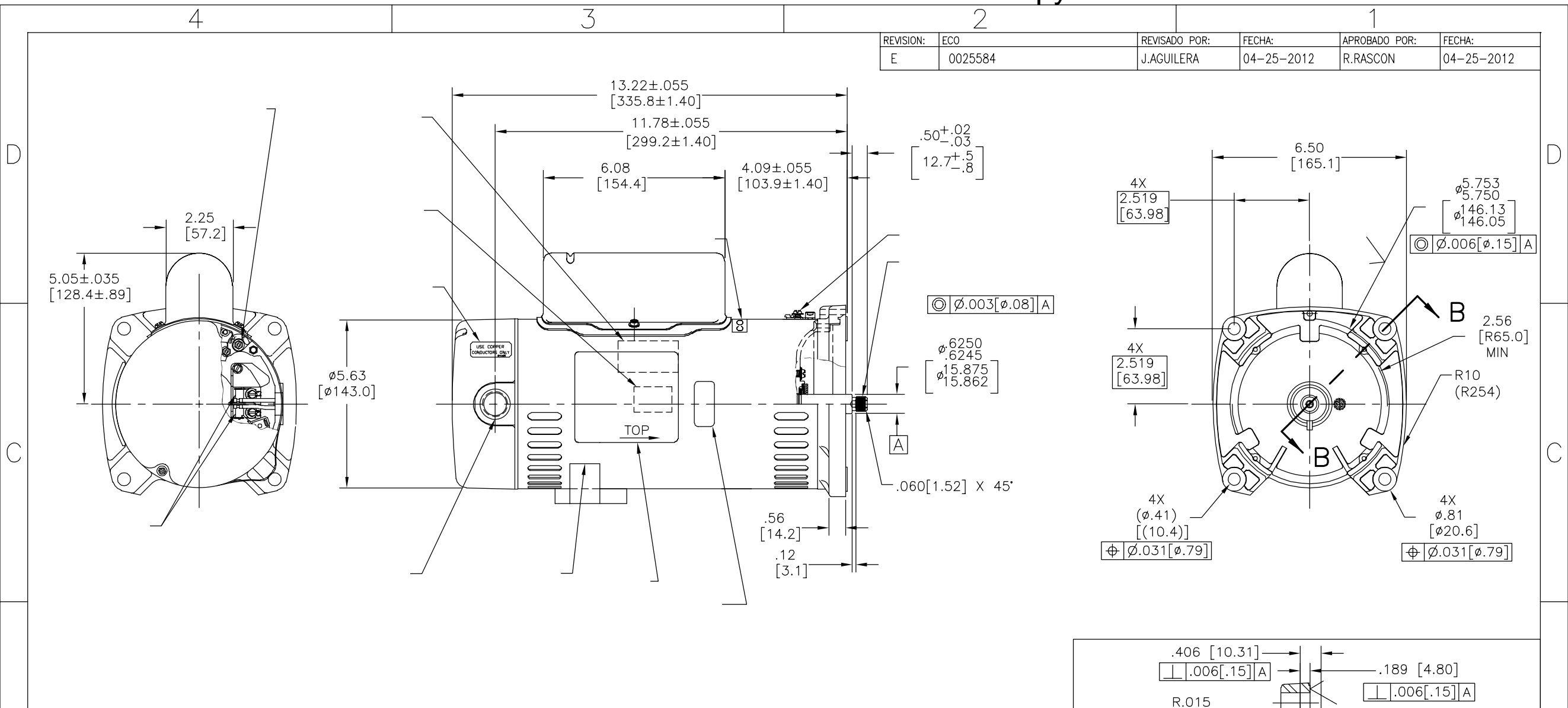
GEOMETRIC CHARACTERISTICS & SYMBOLS
□ FLATNESS
- STRAIGHTNESS
∠ ANGULARITY
⊥ PERPENDICULARITY (SQUARENESS)
// PARALLELISM
○ ROUNDNESS (CIRCULARITY)
∅ CYLINDRICITY
△ PROFILE OF ANY SURFACE
∩ PROFILE OF ANY LINE
↑ RUNOUT
⊕ TRUE POSITION
◎ CONCENTRICITY
≡ SYMMETRY

UNLESS OTHERWISE SPECIFIED DIM. TOLERANCES ARE AS FOLLOWS:
INCH X XX XXX XXXX
±.1 ±.02 ±.005 ±.0005
mm ±0.5 ±0.13 ±0.013
ANG. ±.50 DEG
REMOVE BURRS & BREAK SHARP EDGES:
INCH .003-.015 mm 0.1-0.4
CORNER FILLETS TO:
INCH .020 mm 0.5
MACHINE SURFACES:
INCH 125 mm 3.2
METRIC DIMS. SHOWN IN [BRACKETS]

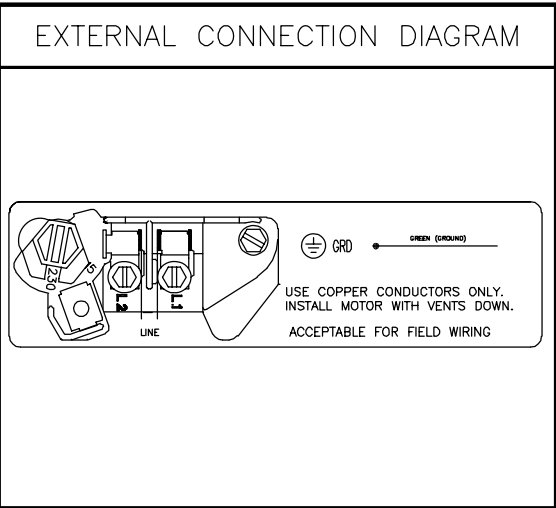
DR BY: JLG	5-12-09
APPD:	
THIRD ANGLE PROJECTION	EDS DATE 11-11-2011
	FORMAT REV G
CONFIDENTIAL: THIS DRAWING AND ITS INFORMATION ARE THE EXCLUSIVE AND CONFIDENTIAL PROPERTY OF REGAL-BELOIT CORPORATION AND ARE NOT TO BE DISCLOSED, DUPLICATED, DISTRIBUTED OR OTHERWISE USED WITHOUT THE WRITTEN CONSENT OF REGAL-BELOIT CORPORATION. -ALL RIGHTS RESERVED.	

DESCRIPTION	
MODEL-PFHP-48FR OUTLINE	
SIZE C	DWG NO USQ1202
SCALE NONE	SHEET 1

REVISION:	ECO	REVISADO POR:	FECHA:	APROBADO POR:	FECHA:
E	0025584	J.AGUILERA	04-25-2012	R.RASCON	04-25-2012



NAMEPLATE DATA	
MODEL: K48M2PA105C5	
CUST PN: USQ1202	
HP: 2.0	SF: 1.10
ROT: CCWPE	
RPM: 3450	
TYPE: UAK	CODE: H
FORM:	FRAME: 48 Y
VOLTS: 230	
AMPS:	
MAX AMPS: 10.4	
SF AMPS: -	
PH: 1	HZ: 60
INS: B	AMB: 50°C
DUTY: CONT	
ENCLOSURE: ODP	
THERMALLY PROTECTED	



NOTES

A MENOS QUE SE ESPECIFIQUE DE OTRA MANERA, LAS TOLERANCIAS DE LAS DIMS; SON LAS SIGUIENTES:

PULG $\pm .1$ $\pm .02$ $\pm .005$ $\pm .0005$
 mm ± 0.5 ± 0.13 ± 0.013

ANG. ± 50 GRADOS

ELIMINAR REBABAS Y ORILLAS FILOSAS DEL BORDE.

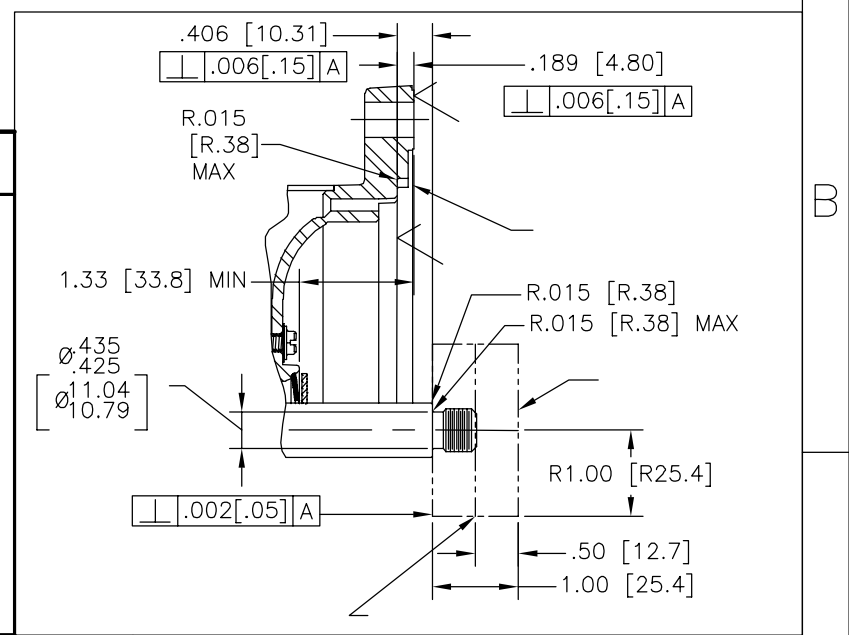
PULG .003-.015 mm 0.1-0.4

FILETEAR ESQUINA: PULG .020 mm 0.5

MAQUINAR SUPERFICIES

PULG 125 mm 3.2

DIMS METRICAS MOSTRADAS [PARENTESIS]



PERFORMANCE CURVE	APPROVED SAMPLE		
K48M2W2			
UL COMPONENT	CSA		
FILE#	CCN#	FILE#	GUIDE#
E25022	XEWR2	LR43341	4211-01
CUSTOMER	DISTRIBUTION SERVICES		

CARACTERISTICAS DE GEOMETRIA Y SIMBOLOS

✓ PLANICIDAD

— RECTITUD

∠ ANGULARIDAD

⊥ PERPENDICULARIDAD (A ESQUADRA)

// PARALELISMO

○ REDONDEZ (CIRCULARIDAD)

∅ CILINDRICIDAD

△ PERFIL DE CUALQUIER SUPERFICIE

∧ PERFIL DE CUALQUIER LINEA

↑ VARIACION

⊕ POSICION REAL

◎ CONCENTRICIDAD

= SIMETRIA

ASME Y14.5M 1994

DIBUJADO POR: JLG

5-12-09

APROBADO POR:

TERCER ANGULO DE PROYECCION

FECHA EDS: 11-11-2011

REV. FORMATO: G

CONFIDENCIAL: ESTE DIBUJO Y SU INFORMACION SON PROPIEDAD DE USO EXCLUSIVO Y CONFIDENCIAL DE REGAL-BELOIT CORPORATION. Y NO DEBERAN SER REVELADOS, DUPLICADOS, DISTRIBUIDOS O USARSE DE OTRA MANERA SIN EL CONSENTIMIENTO ESCRITO DE REGAL-BELOIT CORPORATION. -TODOS LOS DERECHOS RESERVADOS.

DESCRIPCION:

MODEL-PFHP-48FR

OUTLINE

TAMAÑO: C

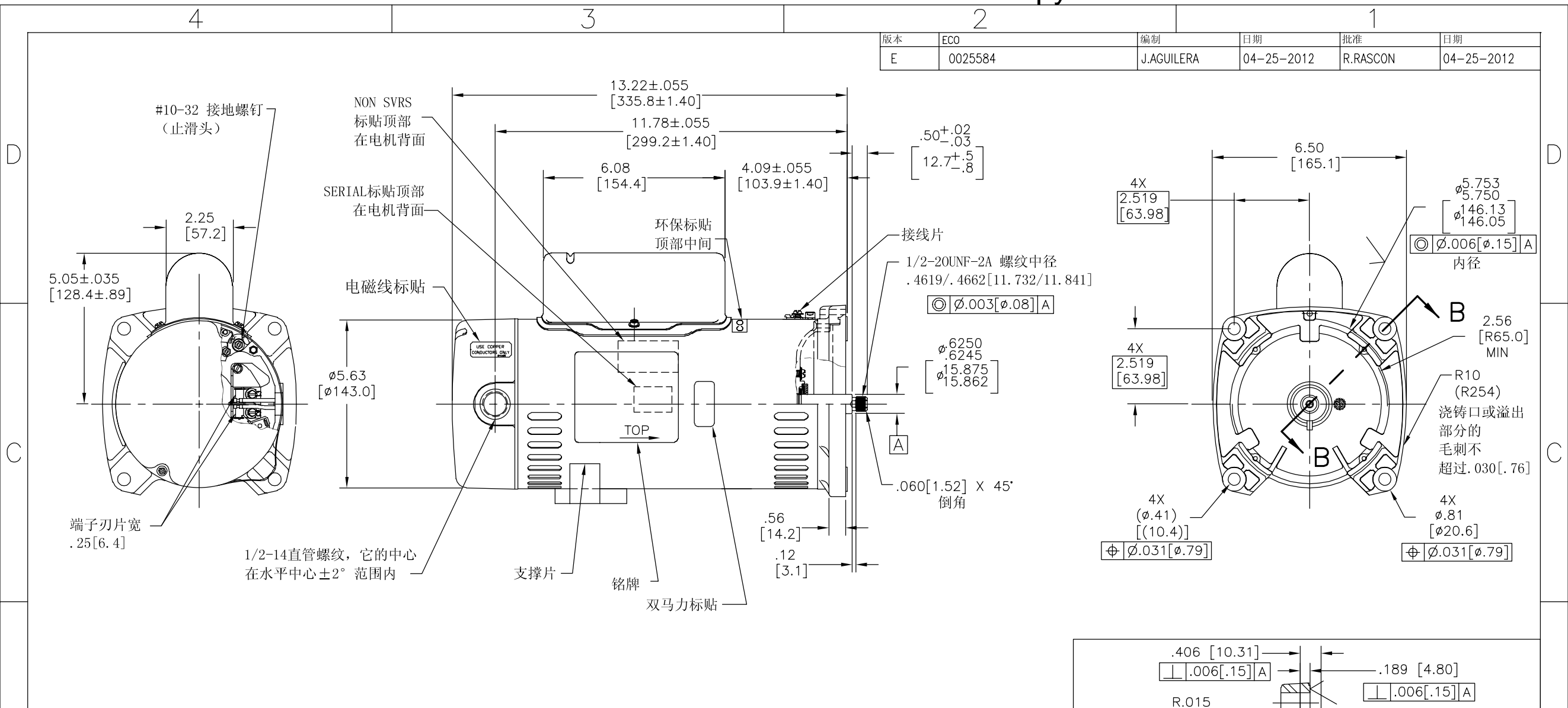
NUMERO DE DIBUJO: USQ1202

ESCALA: NONE

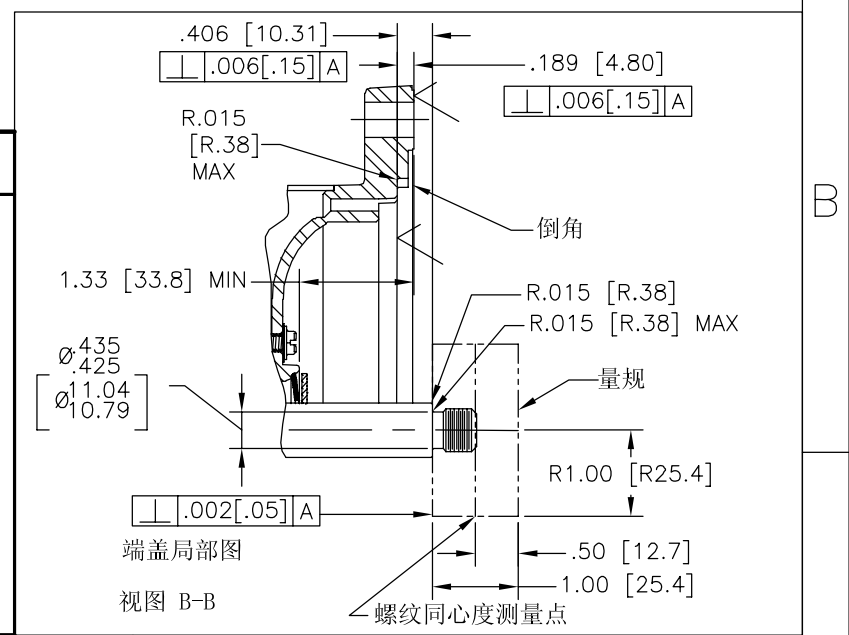
HOJA: 1

DESCRIPCION:	
MODEL-PFHP-48FR	
OUTLINE	
TAMAÑO: C	NUMERO DE DIBUJO: USQ1202
ESCALA: NONE	HOJA: 1

版本	ECO	编制	日期	批准	日期
E	0025584	J.AGUILERA	04-25-2012	R.RASCON	04-25-2012



NAMEPLATE DATA	EXTERNAL CONNECTION DIAGRAM	NOTES
MODEL: K48M2PA105C5 CUST PN: USQ1202 HP: 2.0 SF: 1.10 ROT: CCWPE RPM: 3450 TYPE: UAK FORM: CODE: H FRAME: 48 Y VOLTS: 230 AMPS: MAX AMPS: 10.4 SF AMPS: - PH: 1 HZ: 60 INS: B AMB: 50°C DUTY: CONT ENCLOSURE: ODP THERMALLY PROTECTED	<p>USE COPPER CONDUCTORS ONLY. INSTALL MOTOR WITH VENTS DOWN. ACCEPTABLE FOR FIELD WIRING.</p>	1. 表面喷黑色漆。 2. 移去后盖可见.44 [11.2]的扁身。 3. 轴伸部分为不锈钢。 4. 在轴承室测量震动值最大震幅=.001 [0.03]。 5. 电容盒和泵端的垂直度在±2.5° 内。



PERFORMANCE CURVE	APPROVED SAMPLE	形位公差 □ 平面度 — 直线度 ∠ 倾斜度 ⊥ 垂直度 ∥ 平行度 ○ 圆度 ⊘ 圆柱度 △ 面轮廓度 ∩ 线轮廓度 ↗ 圆跳动 ⊕ 位置度 ⊙ 同轴度 ≡ 对称度	除另有注明 尺寸公差如下: 英寸 X XX XXX XXXX 毫米 ±.1 ±.02 ±.005 ±.0005 ±0.5 ±0.13 ±0.013 角度 ±.50度 清理毛刺和尖棱 英寸 .003-.015 毫米 0.1-0.4 内圆角 英寸 .020 毫米 0.5 表面粗糙度 英制 125 米制 3.2	绘图: JLG	5-12-09	<p>名称: MODEL-PFHP-48FR OUTLINE 图幅: C 图号: USQ1202 比例: NONE 页号: 1</p>
K48M2W2	CSA			第三角投影 机密: 本图纸及相关信息所有权归REGAL-BELOIT CORPORATION. 未经REGAL-BELOIT CORPORATION书面授权, 不得泄露、复制或传播或作其他用途。一版权所有	图纸格式发布日期 11-11-2011 图纸格式版本 G	
UL COMPONENT	CSA	ASME Y14.5M 1994	米制尺寸显示在 []			
FILE#	CCN#	FILE#	GUIDE#			
E25022	XEWR2	LR43341	4211-01			
CUSTOMER	DISTRIBUTION SERVICES					