



# Super Blue Pool Cleaner

PL1803



## Installation and User Guide

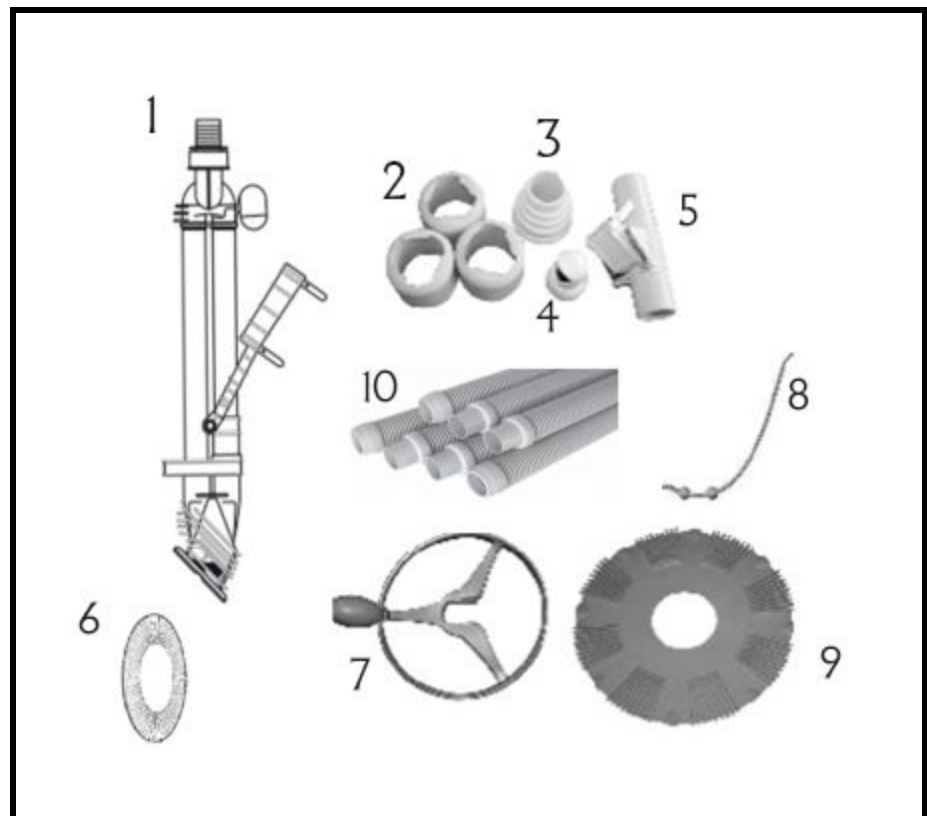
# Welcome

Congratulations on purchasing the PureLine Super Blue Pool Cleaner. Your new Super Blue is guaranteed to provide you with years of efficient cleaning so that you spend more time enjoying your pool than cleaning it.

Before the fun starts, make sure you follow the user instructions and guidelines in order to ensure a smooth operating suction pool cleaner. This manual provides step-by-step instructions needed to install and adjust the Super Blue Suction Cleaner. Before installing, ensure that all necessary parts are included.

## Contents Checklist

1. Aqua Pilot
2. Hose Weights (3)
3. Reducer Cone
4. Eyeball Diverter
5. Automatic Regulator Valve
6. Foot pad
7. Dive Float Restrictor
8. Roller Bumper Strap
9. Pleated Seal
10. Hoses



# Table of Contents

|  |    |
|--|----|
| Welcome .....                                | 1  |
| Contents Checklist .....                     | 1  |
| Important Safety Instructions .....          | 3  |
| Pre-Installation Checklist .....             | 4  |
| Assembly .....                               | 5  |
| Attaching the Seal .....                     | 5  |
| Attaching the Footpad .....                  | 5  |
| Attaching the Roller Bumper Strap .....      | 6  |
| Attaching Dive Float Restrictor .....        | 6  |
| Attaching the Hoses .....                    | 7  |
| Installation .....                           | 8  |
| Standard Installation .....                  | 8  |
| Optional Vacuum Line Installation .....      | 9  |
| Adjustments .....                            | 10 |
| Return Water flow and Eyeball Diverter ..... | 11 |
| Troubleshooting .....                        | 12 |

# SAVE THIS INSTRUCTIONAL MANUAL

**ATTENTION INSTALLER:** This manual contains essential information about the installation, operation, and safe use of this suction pool cleaner. Please remember to furnish this manual and all other instructional documents to the end user of this product.

The Pureline Super Blue Suction Cleaner is specifically engineered for today's inground swimming pools and spas. The Super Blue is an automatic suction cleaner designed to manually vacuum the pool without the need for an additional pump.

Failure to read and follow instructions can result in serious injury.

## General Warnings

- Do not play with the cleaner or the hoses
- Do not apply to any part of the body as it can trap hair or other body parts
- Hoses can entangle swimmers



**WARNING-** To reduce the injuries, do not permit children to use or play with the cleaner.



**WARNING-** Do not allow swimmers in the pool while the suction cleaner is operating. Hoses can trip or entangle swimmers, which can lead to drowning.



**WARNING-** Stop pump before attempting to clean the cleaner head. Moving parts may injure hands or fingers.

# Pre-Installation Checklist

Before installing your pool cleaner, review the following information. It is designed to extend the suction cleaner's longevity. Failure to follow these instructions can result in damage to the pool's finish and/or liner.

Pureline disclaims any liability for repairs or replacement to any of these structures of the customer's pool.

## **Vinyl Liner Pool**

Before installing the cleaner, check your pool liner for signs of deterioration or damage. If damage is found, contact a qualified pool professional to make the necessary repairs before operating the cleaner.

## **Gunite/Tile Pool**

Before installing the cleaner, repair loose tiles and tighten loose light rings.

## **Clean your filter**

A clean system is necessary for proper cleaner operation.

## **Fill hoses with water**

Fully submerge the cleaner head and hoses in water before connecting the hose to the filtration system (eg. skimmer or wall fitting). Air in the system can damage the pump through dry running and overheating.

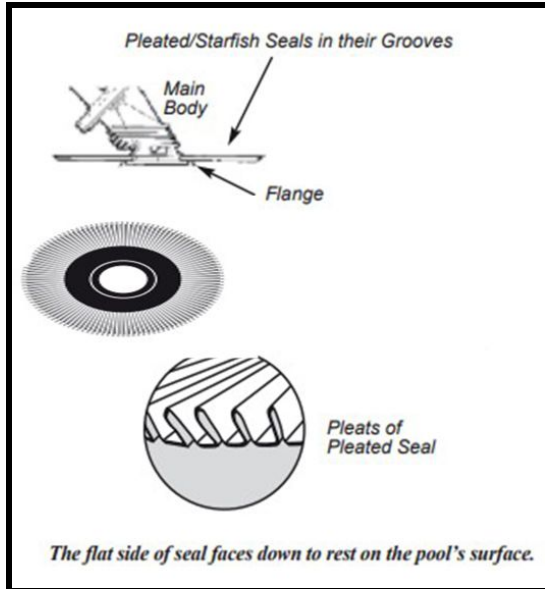
## **Understand your cleaning schedule**

The Super Blue Automatic Cleaner is designed to clean your pool within 4 to 6 hours. Depending on the size of your pool, less time might be needed. The Super Blue is NOT designed to:

- Clean steps
- Clean swimouts
- Work under solar or winter covers
- Initial cleanup for new pools or opening the pool for the season

# Assembling Your Cleaner

## Step 1- Attach the Seal

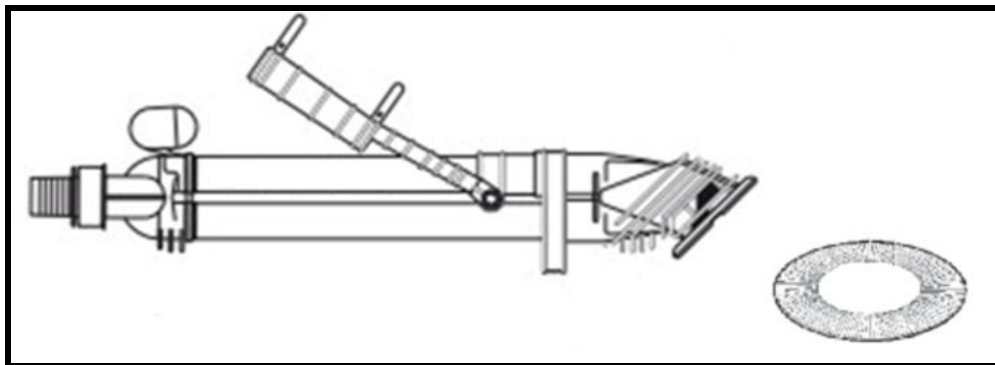


Once the wings are in place, next, take the pleated seal and slip it around the main body of the cleaner.

Please note that the flat side of the pleated seal faces downward towards the pool.

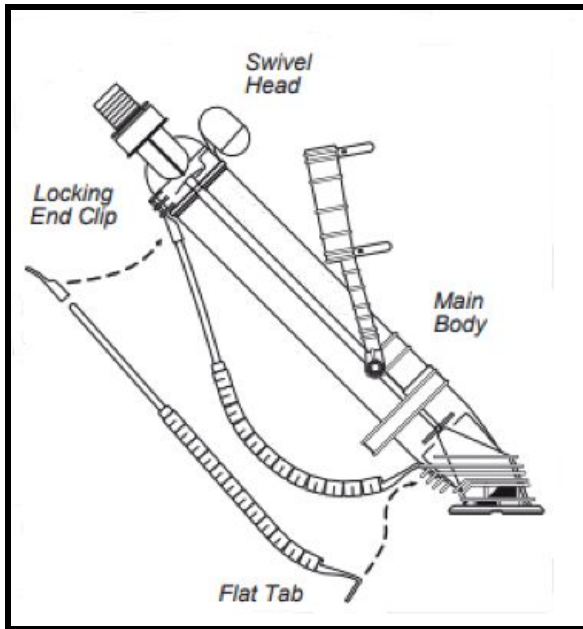
Slip the seal gently into the groove below the wings. For operation, the seal must be installed flat side down. Once in place, the pleated seal should rotate freely.

## Step 2- Attach the Footpad



Next, take the footpad and slide it around the bottom of the main body. The footpad firmly wraps around the main body's last groove. The footpad should wrap around the groove like a glove.

### Step 3- Attach Roller Bumper Strap



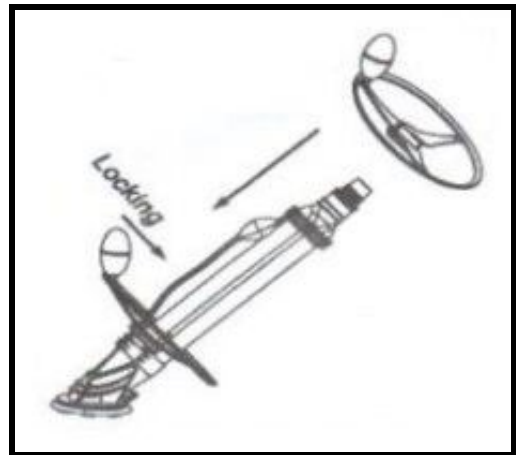
Insert the **Flat Tab** of the strap into the slot provided on the back end of the main body.

Next, insert the **Locking End Clip** of the strap into to the slots located on the swivel head.

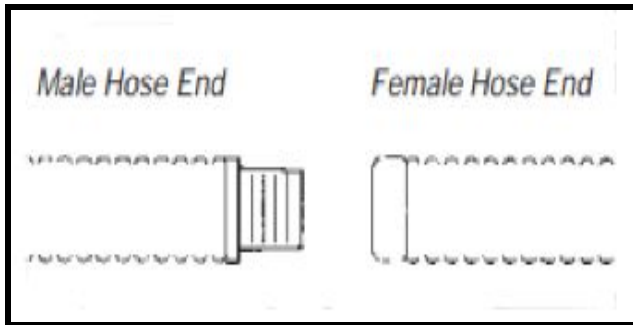
The bumper will bend to fit into place.

### Step 4- Attach Dive Float Restrictor

Snap the drive float restrictor into the lower U-shaped brace between the drive floats. Make sure the locking tabs on both sides of the dive float restrictor snap securely into place



## Step 5- Attach the Hose Weights and Assemble Hoses



The hoses for the Super Blue Cleaner arrives in sections and must be assembled.

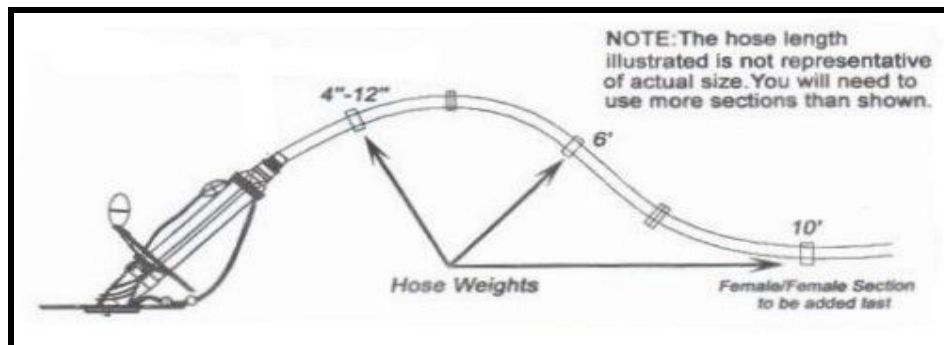
For proper operation, you need enough hoses to reach from where the Super Blue is connected to the furthest spot in your pool. Make sure to attach hose

weights to neutralize the hose's buoyancy in water.

The number of hoses required depends on the depth of your pool. To assemble your hose, push the female ends onto the male ends after dipping the ends into the pool to wet them. The number of hose weights depend on the maximum depth of your pool.

| Pool Depth                 | Weight Placement   |
|----------------------------|--|
| 4 feet or less             | 1 weight: 4 to 12 inches from body's swivel head   |
| Between 4 feet and 7 feet  | 2 weights: 4 to 12 inches from body's swivel head<br>6 feet from swivel head                             |
| Between 7 feet and 12 feet | 3 weights: 4 to 12 inches from body's swivel head<br>6 feet from swivel head<br>10 feet from swivel head |

Your fully assembled Super Blue Cleaner should look like this





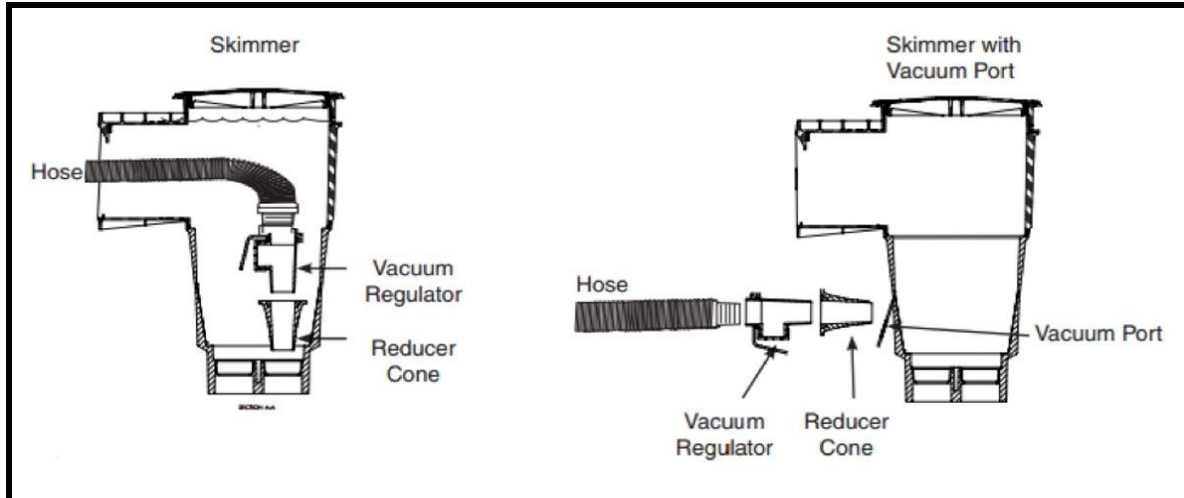
# Installation

The Super Blue is universally designed to accommodate pools made of concrete, gunite, diamond brite, pebble tech, vinyl liner, fiberglass, and tile.

In this manual, we include the installation steps for the in-skimmer and the vacuum line installation. For pools one with skimmer, we strongly recommend using the automatic regulator valve. The regulator valve automatically balances the water flow between the skimmer and the cleaner. It automatically adjusts to changes in water flow to provide the cleaner the necessary power to properly clean your pool.

## **Standard Installation: For pools with one skimmer or dedicated vacuum line.**

1. Turn the pool pump OFF.
2. Close the main drain and all suction lines except the line from the skimmer you are attaching the Super Blue to.
3. Remove the skimmer basket.
4. Press the 2" hose cone into the vacuum connection in the bottom of the skimmer.
5. Press the automatic regulator valve onto the end of the hose. There are arrows on the regulator indicating the correct direction.
6. Place the cleaner into the pool and allow it to sink to the floor.
7. Feed the hoses vertically into the pool until they are completely filled with water and purged of air.
8. Insert hose end through the skimmer opening and connect to plumbing line with regulator valve into the reducer cone.
9. Open main drain and suction lines.
10. Turn the pump on to start the cleaner.

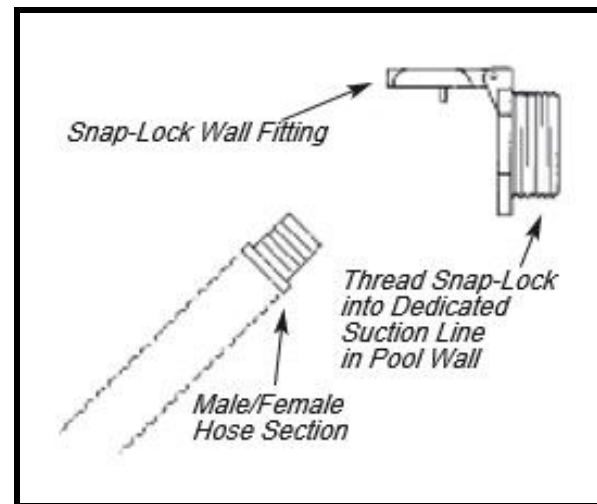


## Optional Vacuum Line Installation

(Accessories like the snap lock wall fitting are not provided.)

1. Turn the pool pump OFF.
2. Close the main drain and all suction lines except the line from the skimmer you are attaching the Aqua Pilot to.
3. Thread the snap-lock wall fitting into the end of the dedicated suction line.
4. Place the cleaner into the pool and allow it to sink to the floor.

(Note: You have to remove the female-to-female hose section in this installation)



# Adjustments

Once you complete the installation, turn the pump ON. to ensure all air cycles are out of the system, allow the pump to run for a couple of minutes. **The clean should move around the pool at approximately 8-12 feet per minute.**

Check the following initial adjustments to the cleaner to ensure a smooth operation.

## Hose Length

The pump must be ON when you are checking the hose length. When the pump is operating, the hose gets shorter.

With the cleaner running, position it at the furthest point of the pool from where it is attached. The hoses should be long enough to reach the end of the pool, plus one hose section. If you need to make the hose shorter, remove pieces from the middle portion. This avoids having to disturb the hose weight position.

**NOTE:** Turn pool pump OFF when adding or removing hose sections.

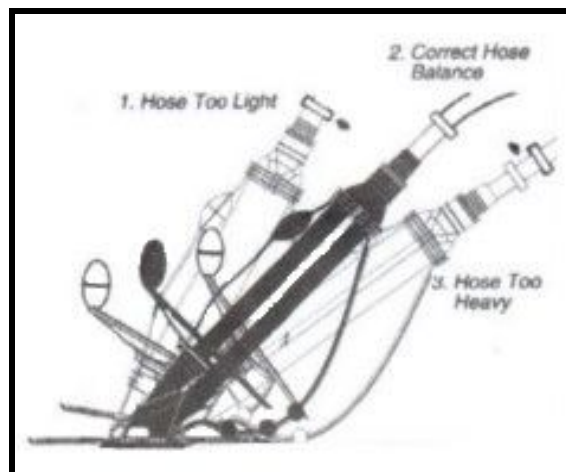
## Hose Balance

Turn the pump OFF to determine the correct hose balance. The hose balance is correct when the cleaner's seal rests flat on the pool floor and the diver tube makes a 45 degree angle with the floor. Adjust hose weights one inch at a time as needed. Also, make sure you adjust the hose weights in the deep end of the pool first and then the shallow area.

1. **Hose Too Light:** If the hose rises towards the surface at an angle greater than 45 degrees, move the weights closer to the cleaner. Or, move first two weights closer to each other.

2. **Correct Hose Balance**

3. **Hose Too Heavy:** If the hose sags downward at an angle less than 45 degrees, move weights away from the cleaner.



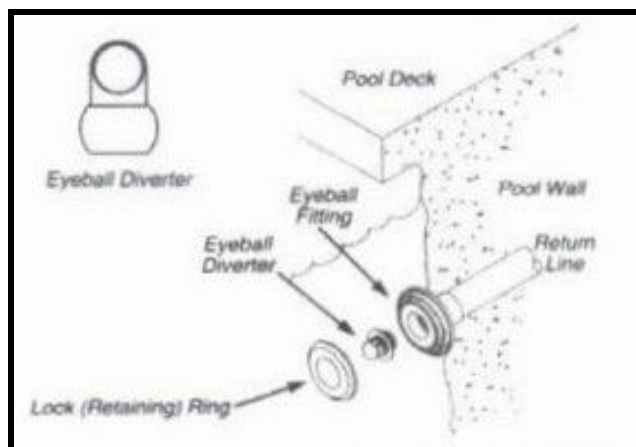
the

# Return Water Flow and Eyeball Diverter

The water flow from your return line can affect the performance of the Super Blue Cleaner. In some instances, it can steer the cleaner away from the end of the pool the return line is located or it may cause the cleaner to remain in one spot. To correct this, use the eyeball diverter included with the cleaner.

## Installing the Eyeball Diverter

1. Turn your pump OFF
2. Remove the original eyeball from the return line at the pool by unscrewing the lock ring
3. Replace the original eyeball with the cleaner eyeball diverter
4. Replace the lock ring and tighten. Make sure the opening of the eyeball diverter point in proper direction before tightening fully.



Try different positions to see which works best for your pool. After installing the eyeball diverter, turn the pool pump ON. The cleaner should begin moving across the pool floor.

# Troubleshooting

If you are experiencing a problem with your Super Blue Suction Pool cleaner, don't fret. Below is a list of the most common issues and remedies associated with this cleaner.

If there seems to be a problem that is not detailed, please call you pool professional or call our customer service line: 407-834-2200.

- Is the bottom drain closed? Close Drain
- Is your filter clean? Clean Filter
- Is the pump strainer basket clean? Clean Basket
- Is debris blocking the bottom of the Aqua Pilot? Remove Debris
- Are there any leaks in the hose? Replace Leaking Section

## **If the Super Blue is not moving or pushing:**

- Ensure that the main drain and ALL suction lines are closed except for the line the Super Blue is attached to.
- Check for debris in your filter and/or pump basket
- Ensure the pool pump and filter system is sized appropriately to operate this cleaner (incapable of providing 25 gallons per minute of water water)
- Check the return line water flow and redirect as necessary

## **If the Super Blue stays on one end of the pool:**

- Check the return line to ensure you are getting enough flow
- Ensure that the hose is long enough to reach to the end of the pool
- Ensure cleaner is operating at optimal speeds (8-12 feet per minute)
- Check the return line water flow and redirect as necessary

## **If the Super Blue stays on the main drain**

- Ensure that the main drain is closed. You may need help from a pool professional.
- If the main drain is not flushed to the pool, consult your pool professional

**If Super Blue stops or slows and air bubbles enter the pool through return line:**

- Check hoses for leaks
- Check the connections at vacuum. It should be submerged so that no air enters into the system
- Check the pump lid for looseness, cracks, or worn out o-rings

**If Super Blue pulls air from, or remains at, the water surface**

- Make sure the water level is at least 3 inches below the pool deck
- Ensure your Super Blue is operating at the proper speed of 8-12 feet per minute