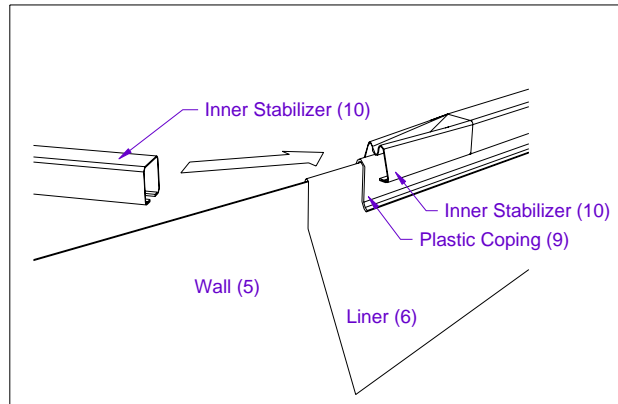
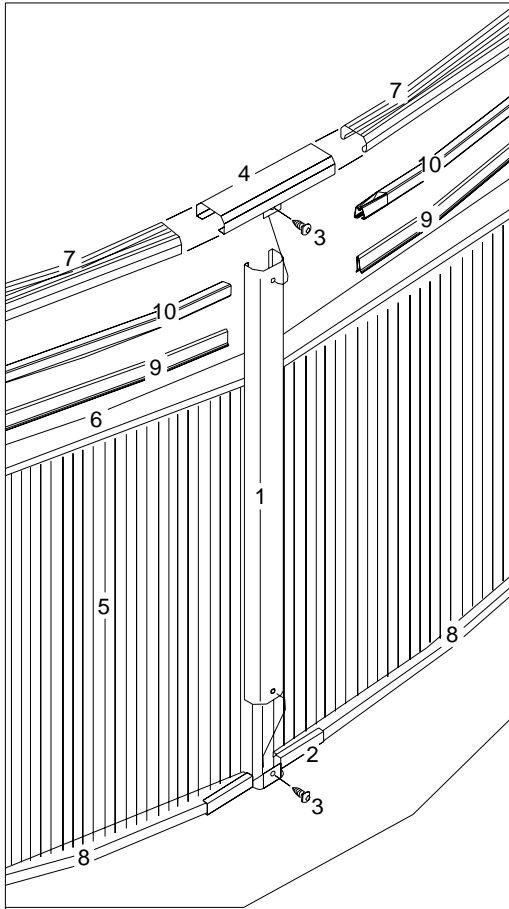


Exploded view - SUNRAY



- 1 Upright
- 2 Bottom Connector
- 3 Screw
- 4 Top Connector
- 5 Pool Wall
- 6 Liner
- 7 Top Rail
- 8 Bottom Rail
- 9 Plastic Liner Coping
- 10 Inner Stabilizer



Parts List - SUNRAY

Part Number	Wilbar Description	12'	15'	18'	21'	24'
Top Rails						
36756	TR 2.5" STL ALI PEARL 12'D SUN 56-1/4"	8				
36757	TR 2.5" STL ALI PEARL 15'D SUN 55-1/4"		10			
36758	TR 2.5" STL ALI PEARL 18'D SUN 56"			12		
36759	TR 2.5" STL ALI PEARL 21'D SUN 56-1/4"				14	
36843	TR 2.5" STL ALI PEARL 24'D SUN 56-1/8"					16
Upright						
36789	UR 2" STL ALI PEARL SUNRAY 46-3/4"	8	10	12	14	16
36871	UR 2" STL ALI PEARL SUNRAY 50-3/4"	8	10	12	14	16
Bottom Rails						
NLR-1460061	BTM RAIL 6'0"R 53-15/16" (5/8" STL)	8				
NLR-1460062	BTM RAIL 7'5"R 53-15/16" (5/8" STL)		10			
NLR-1460063	BTM RAIL 9'0"R 53-13/16" (5/8" STL)			12		
NLR-1460066	BTM RAIL 10'5"R 54-3/8" (5/8" STL)				14	
NLR-1460064	BTM RAIL 12'0"R 54-1/16" (5/8" STL)					16
Stabilizers						
36853	INR STAB SQ STL 6'0"R 57-9/16" SUN	8				
36854	INR STAB SQ STL 7'6"R 57-9/16" SUN		10			
36855	INR STAB SQ STL 9'0"R 57-9/16" SUN			12		
36856	INR STAB SQ STL 10'6"R 58" SUN				14	
36857	INR STAB SQ STL 12'0"R 57-11/16" SUN					16
Bottom Plate						
NLR-1320103	BOTTOM PLATE 2" STL SUNRAY	8	10	12	14	16
Top Cap Connector						
NLR-LC10009	TC 2-1/2" CONNECTOR ALI PEARL SUNRAY	8	10	12	14	16
Hardware						
99-0114	SCREW #12X5/8" PHIL PAN ZY PTD PEARL HEA	16	20	24	28	32

No Diving or Jumping. Observe all Safety Rules.

