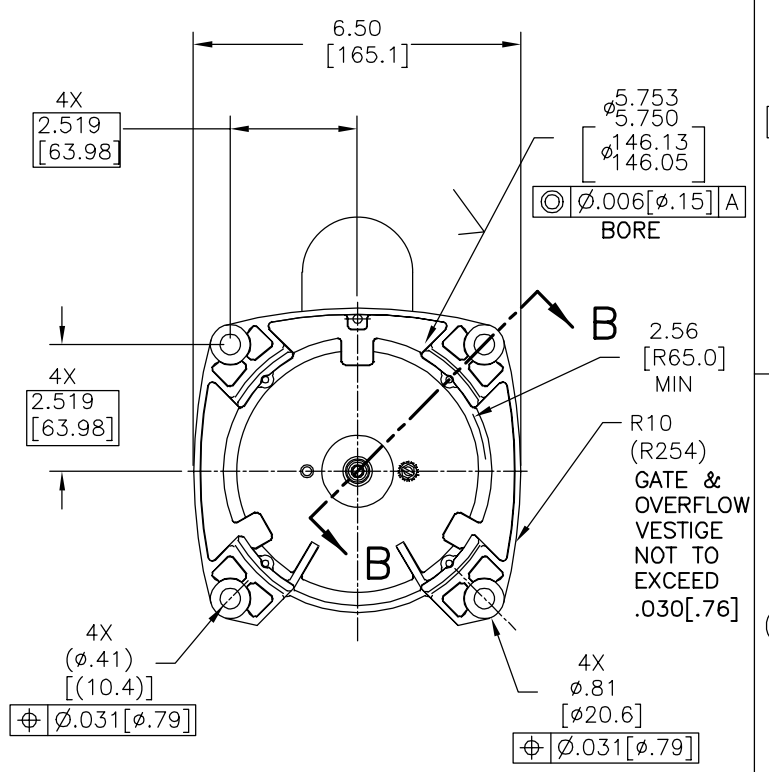
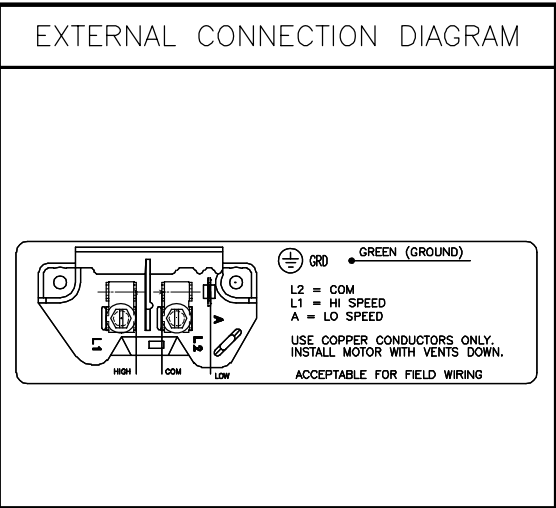


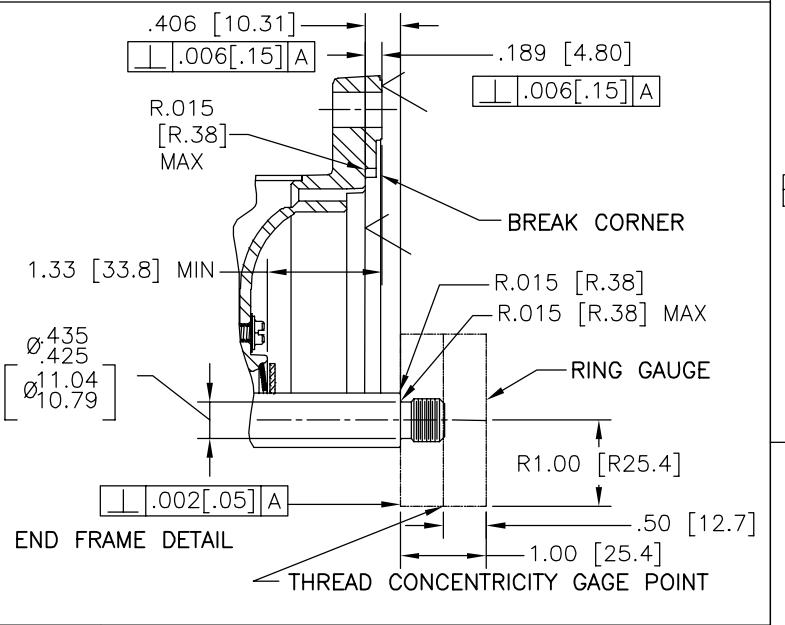
REV	ECO	REV BY	DATE	APPD	DATE
E	0025580	P.ROJAS	04-27-2012	R.RASCON	04-27-2012



NAMEPLATE DATA	
MODEL: K48L2P104B2	
CUST PN: SQS1102R	
HP: 1.0 / 1/6 SF: 1.65	
ROT: CCWPE	
RPM: 3450/1725	
TYPE: F/C	CODE: K
FORM:	FRAME: 48Y
VOLTS: 230	
AMPS:	
MAX AMPS: 7.7/2.8	
SF AMPS: -	
PH: 1	HZ: 60
INS: B	AMB: 50°C
DUTY: CONT	
ENCLOSURE: ODP	
THERMALLY PROTECTED	



- NOTES
1. FINISH PAINT TO BE SATIN BLACK.
 2. .44 [11.2] WRENCH FLATS ON SHAFT—FOR ACCESS TO THIS WRENCH FLAT REMOVE END COVER.
 3. 303 STAINLESS STEEL SHAFT EXT.
 4. LIMITS ON AMPLITUDE OF VIBRATION MEASURED AT BEARING—HOUSING=.001 [.03]
 5. CAPACITOR HOUSING TO BE LOCATED WITHIN ±2.5' OF VERTICAL OF END FRAME (P.E.)



PERFORMANCE CURVE	APPROVED SAMPLE		
K48M2W18			
UL COMPONENT	CSA		
FILE#	CCN#	FILE#	GUIDE#
E25022	XEWR2	LR43341	4211-01
CUSTOMER	DISTRIBUTION SERVICES		

GEOMETRIC CHARACTERISTICS & SYMBOLS

- FLATNESS
- STRAIGHTNESS
- ∠ ANGULARITY
- ⊥ PERPENDICULARITY (SQUARENESS)
- // PARALLELISM
- ROUNDNESS (CIRCULARITY)
- ∅ CYLINDRICITY
- △ PROFILE OF ANY SURFACE
- ∩ PROFILE OF ANY LINE
- ↑ RUNOUT
- ⊕ TRUE POSITION
- ◎ CONCENTRICITY
- ≡ SYMMETRY

ASME Y14.5M 1994

UNLESS OTHERWISE SPECIFIED DIM. TOLERANCES ARE AS FOLLOWS:

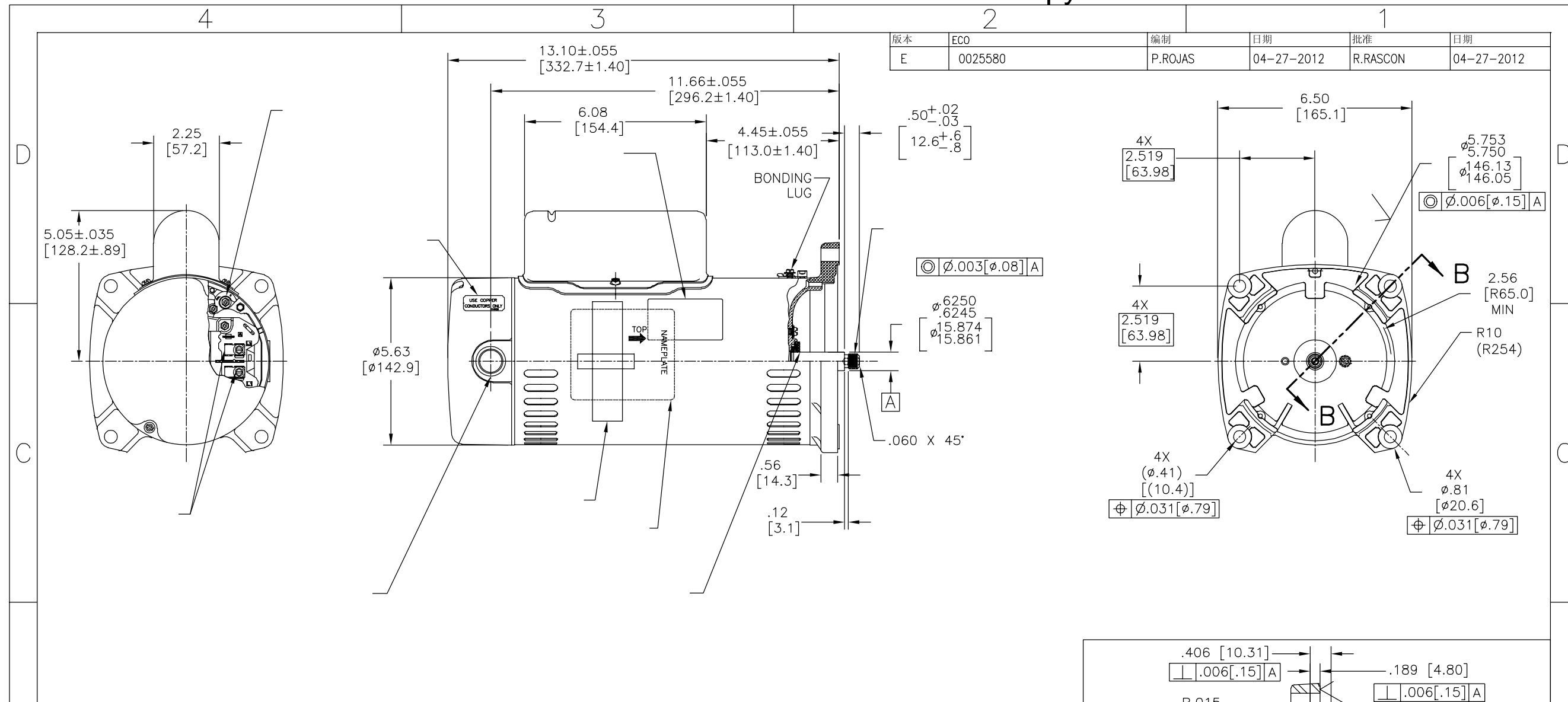
INCH	±.1	±.02	±.005	±.0005
mm	±0.5	±0.13	±0.013	

ANG. ±.50 DEG
REMOVE BURRS & BREAK SHARP EDGES:
INCH .003-.015 mm 0.1-0.4
CORNER FILLETS TO:
INCH .020 mm 0.5
MACHINE SURFACES:
INCH 125 mm 3.2

METRIC DIMS. SHOWN IN [BRACKETS]

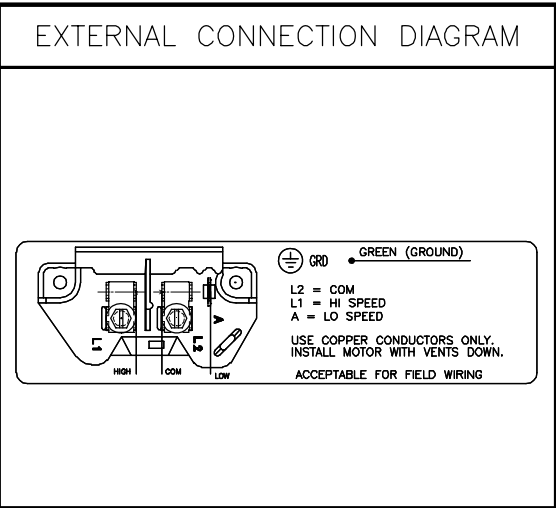
DR BY: JAH 01-09-07
APPD: DRF 01-09-07
THIRD ANGLE PROJECTION
EDS DATE 11-11-2011
FORMAT REV G
CONFIDENTIAL: THIS DRAWING AND ITS INFORMATION ARE THE EXCLUSIVE AND CONFIDENTIAL PROPERTY OF REGAL-BELOIT CORPORATION AND ARE NOT TO BE DISCLOSED, DUPLICATED, DISTRIBUTED OR OTHERWISE USED WITHOUT THE WRITTEN CONSENT OF REGAL-BELOIT CORPORATION. -ALL RIGHTS RESERVED.

DESCRIPTION	
MODEL-PFHP-48FR OUTLINE	
SIZE C	DWG NO SQS1102R
SCALE NONE	SHEET 1



版本	ECO	编制	日期	批准	日期
E	0025580	P.ROJAS	04-27-2012	R.RASCON	04-27-2012

NAMEPLATE DATA	
MODEL: K48L2P104B2	
CUST PN: SQS1102R	
HP: 1.0 / 1/6 SF: 1.65	
ROT: CCWPE	
RPM: 3450/1725	
TYPE: F/C	CODE: K
FORM:	FRAME: 48Y
VOLTS: 230	
AMPS:	
MAX AMPS: 7.7/2.8	
SF AMPS: -	
PH: 1	HZ: 60
INS: B	AMB: 50°C
DUTY: CONT	
ENCLOSURE: ODP	
THERMALLY PROTECTED	



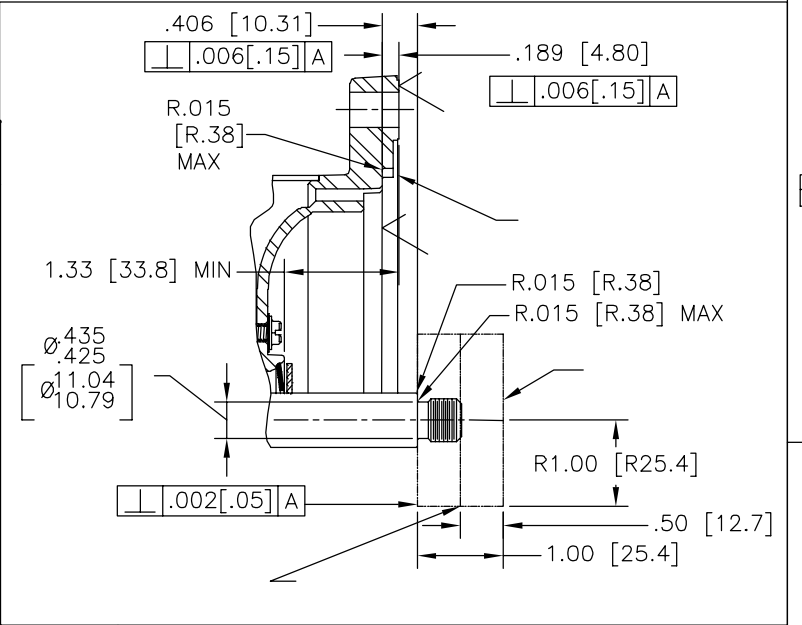
NOTES

除另有注明
尺寸公差如下:

英寸	±.1	±.02	±.005	±.0005
毫米	±0.5	±0.13	±0.013	

角度 ±.50 度
清理毛刺和尖棱
英寸 .003-.015 毫米 0.1-0.4
内圆角
英寸 .020 毫米 0.5
表面粗糙度
英制 125 米制 3.2

米制尺寸显示在 []



PERFORMANCE CURVE	APPROVED SAMPLE		
K48M2W18			
UL COMPONENT	CSA		
FILE#	CCN#	FILE#	GUIDE#
E25022	XEWR2	LR43341	4211-01
CUSTOMER	DISTRIBUTION SERVICES		

形位公差	除另有注明
□ 平面度	尺寸公差如下:
— 直线度	英寸 ±.1 ±.02 ±.005 ±.0005
∠ 倾斜度	毫米 ±0.5 ±0.13 ±0.013
⊥ 垂直度	角度 ±.50 度
// 平行度	清理毛刺和尖棱
○ 圆度	英寸 .003-.015 毫米 0.1-0.4
⊘ 圆柱度	内圆角
△ 面轮廓度	英寸 .020 毫米 0.5
∩ 线轮廓度	表面粗糙度
↗ 圆跳动	英制 125 米制 3.2
⊕ 位置度	米制尺寸显示在 []
⊙ 同轴度	
≡ 对称度	

ASME Y14.5M 1994	米制尺寸显示在 []
------------------	-------------

绘图:	JAH	01-09-07
批准:	DRF	01-09-07
第三角投影	第三角投影	图纸格式发布日期 11-11-2011 图纸格式版本 G
机密: 本图纸及相关信息所有权归REGAL-BELOIT CORPORATION. 未经REGAL-BELOIT CORPORATION书面授权, 不得泄露、复制、传播或作其他用途。—版权所有		

名称	MODEL-PFHP-48FR OUTLINE
图幅	C
图号	SQS1102R
比例	NONE
页号	1