

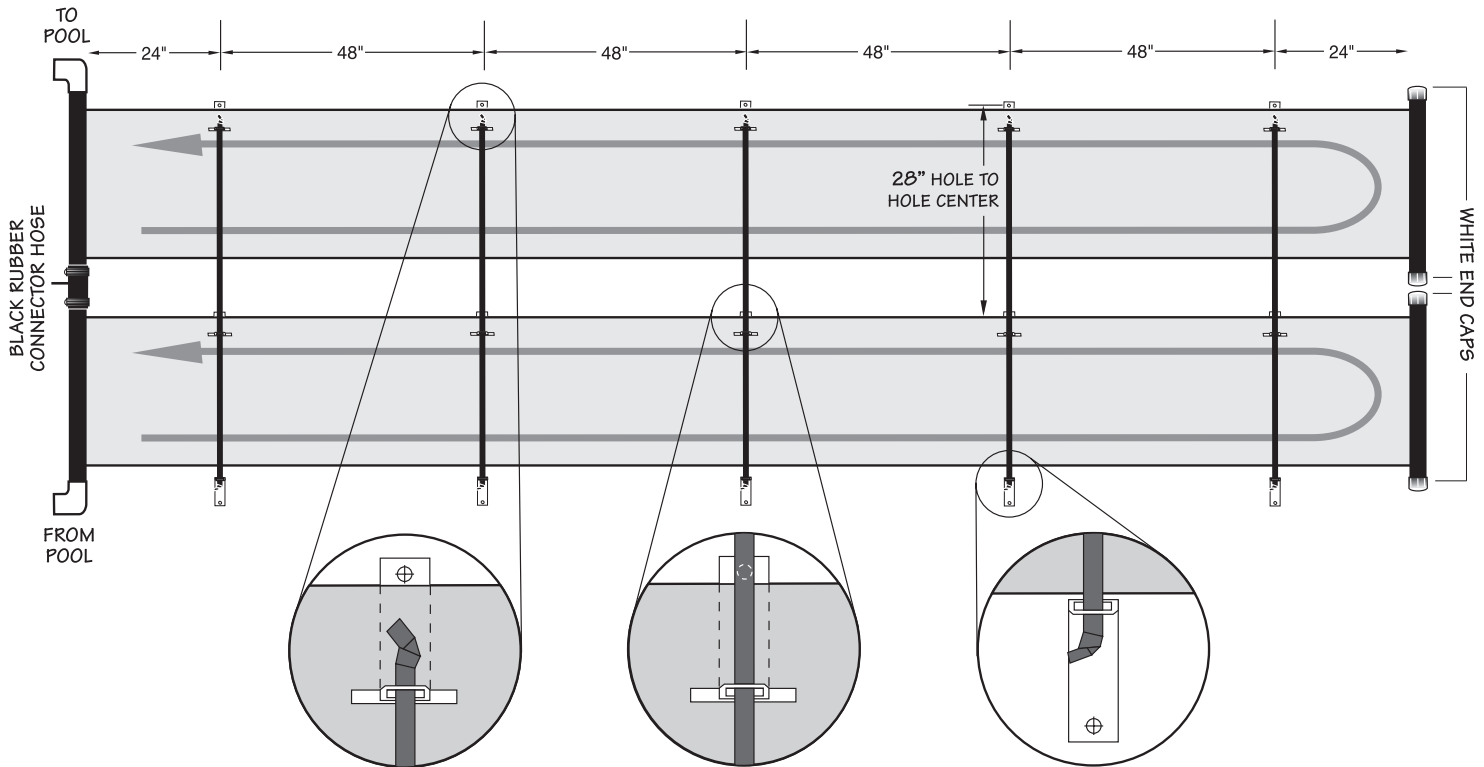
# MOUNTING KIT LAYOUT & INSTALLATION

## Kit SK-43

**Caution:** Unless you are familiar with working on roofs and have the proper ladders and safety equipment for such work, you should hire someone with the necessary experience to do the installation. Failure to observe safe practices on a roof or other elevated structure may result in falling, leading to serious injury or death.

**Required:**

- Flathead screwdriver or 5/16" nut driver
- 1/8" drill bit and Phillips head bit
- Power Drill
- Silicone sealant (GE II or equivalent)



1. Remove the collectors from the box and allow the collectors to relax in the sun (30 minutes to an hour). **DO NOT LAY COLLECTORS ON THE GRASS - IT CAN DAMAGE THE LAWN UNDERNEATH!**
2. Allow at least one foot around the solar system for brackets, piping and working area. Roof obstructions like vents should be taken into consideration when laying collectors on a roof. With a roof vent up to 3" in diameter, the collectors can be placed on either side of the vent.

**WARNING: DO NOT WALK ON THE SOLAR COLLECTORS**

3. Determine the position of the top collector. Layout the mounting brackets at each slot along the length of the collector. The collector should slope slightly toward the inlet point (where the water enters the collectors) to allow for drainage.
4. Drill 1/8" pilot hole for a 1/4" lag screw for all brackets. Mount the bracket as shown with the bracket centered in the slot.
5. Start by tying the strap to the top bracket and run through the brackets below and tie to the bottom bracket.

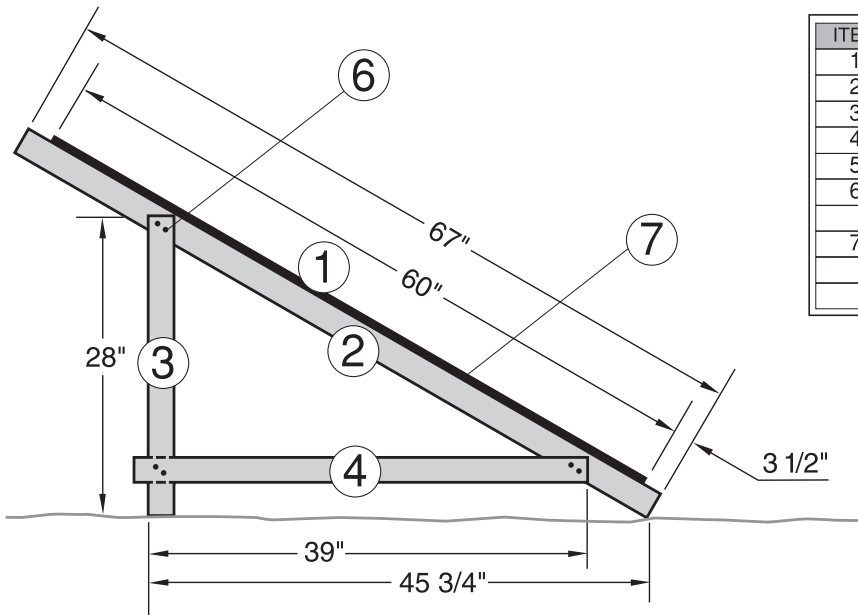
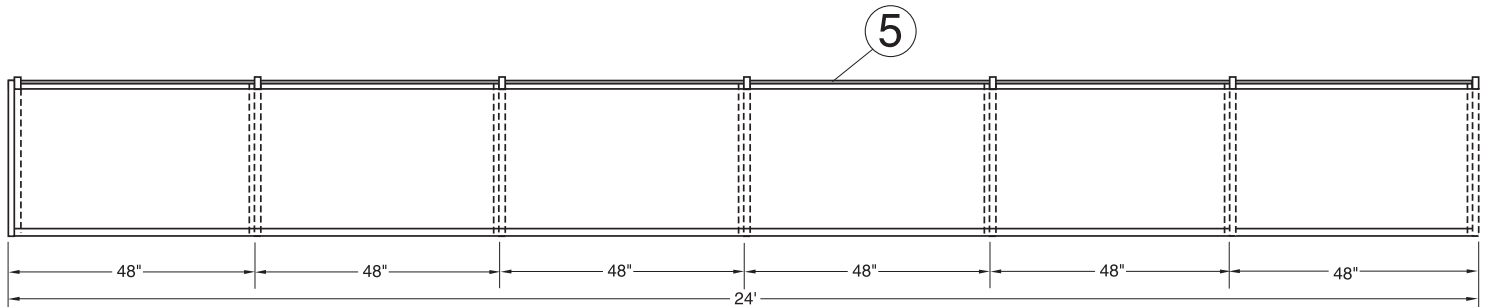
Note: When completed, you will have five vertical straps running across each collector. For high wind areas, we recommend one SK-34 High Wind Kit or each collector. Call 1-888-560-7665 for ordering information.

**WARNING: USED OF NON-FACTORY APPROVED MOUNTING HARDWARE  
COULD DAMAGE YOUR COLLECTOR AND WILL VOID YOUR WARRANTY.**

# OPTIONAL RACK MOUNTING INFORMATION

Many poolowners prefer to construct a rack for mounting their collectors on the ground. Your solar collector will heat best if it is insulated against the ground, especially early in the season when the ground is still cold. A platform or even black plastic under the collector will help.

If the collector is to be mounted on a sloped rack, please refer to the drawing below for a suggested design and a bill of materials. A sloped rack should face in a southerly direction, get full sun for most of the day and be constructed so that it does not provide access to the pool for children.



ITEM	QTY	DESCRIPTION
1	4	1/2" PLYWOOD SHEATHING 4'x8'(EXT)
2	7	2x4 CUT TO 67"
3	6	2x4 CUT TO 28"
4	6	2x4 CUT TO 39"
5	3	2x4 8' LONG
6		ASSEMBLE FRAMES WITH #8x2 1/2"
		GALVANIZED SCREWS (6/FRAME MIN.)
7		ATTACH EXT. SHEATHING WITH
		#6x1 1/4" GALVANIZED SCREWS
		(4 ON EACH FRAME)

**WARNING: USED OF NON-FACTORY APPROVED MOUNTING HARDWARE COULD DAMAGE YOUR COLLECTOR AND WILL VOID YOUR WARRANTY.**

**CAUTION:**  
**DO NOT BUILD A RACK SUPPORT AGAINST THE SIDE OF THE POOL OR AGAINST A POOL FENCE THAT COULD ALLOW CHILDREN TO CLIMB UP AND OVER INTO THE POOL.**