

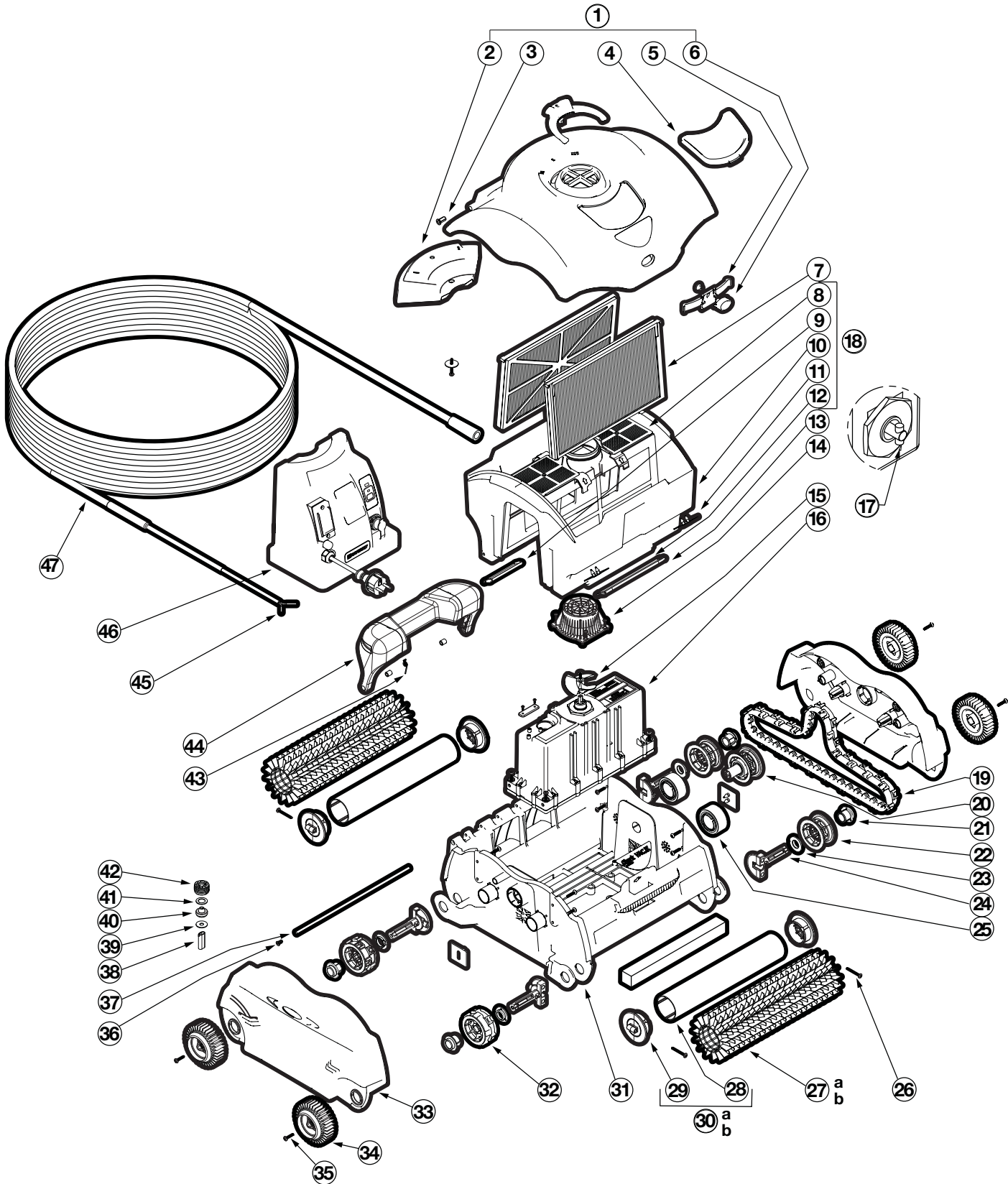


# SharkVAC XL™ by HAYWARD®

ROBOTIC POOL CLEANER REPLACEMENT PARTS

## Parts Diagram

Cleaners





## Parts Listing

Ref. No.	Part No.	Description	Ctn. Qty.
1	RCX97471SB	Dome Assembly SharkVAC XL	1
2	RCX97477	Float Assembly SV/EV Wall Climb	1
3	RCX97423	Bushing-Dome, SV (Set of 2)	5
4	RCX97472	Window-Dome SV/EV Wall Climb	1
5	RCX97431	Spring, Flat SV/EV	5
6	RCX97433	Button, SV	1
7	RCX70101	Filter Cartridge (Set of 2)	5
8	RCX97417	Door, Filter	1
9	RCX97405	Flap, Drain Small SV	1
10	RCX97415	Housing, Filter Bucket	1
11	RCX97417	Door, Filter	1
12	RCX97445	Flap, Rubber SV	1
13	RCX97407	Flap, Drain Large SV	1
14	RCX97455	Tube, Vent	10
15	RCX11000	Impeller	10
16	RCX97490	Motor Assembly, SV/EV Wall Climb	1
17	RCX40117	Drive Pin Assembly	5
18	RCX97414	Filter Bucket Assembly SV/EV	1
19	RCX97501GR	Belt-Drive Track, SharkVAC	1
20	RCX97502GR	Drive Bearing Assembly, SharkVAC®	1
21	RCX97506	Bushing 2W, SharkVac (Set of 4)	1
22	RCX97505GR	Wheel-Drive Belt, SharkVAC	1
23	RCX97435	Bushing, 1W, SharkVAC (Set of 4)	10
24	RCX97507GR	Shaft-Drive Wheel, SharkVAC	1
25	RCX26000	Pulley-Bearing Idler	10
26	RCX97461	Screw M5X35MM (Pack of 5)	10
27a	RCX26008	Brush-Roller	5
27b	RCX26011WCE	Roller Assembly – Foam	1
28	RCX97409	Tube-Wheel, Lt. Gray, SharkVAC	5
29	RCX97511GR	Cap - Roller End, Lt. Gray, SV	1
30a	RCX97410	Tube, Wheel Assembly, Lt. Gray	5
30b	RCX97410BK	Tube, Wheel Assembly, Black	5
31	RCX97401	Base, SV	1
32	RCX97509GR	Wheel-Drive With Rubber, SV	1
33	RCX97403	Panel, Side SV	1
34	RCX97508GR	Overmolded Wheel Assembly, SV	1
35	RCX12011	Screw-MSX20 (Set of 5)	10
36	RCX97459	SCREW-M7-3.14X10MM (Set of 5)	5
37	RCX97429	Shaft-Hinge SV/EV	10
38	RCX59002	Connector Housing	10
39	RCX12301	Connector-Plastic Washer	10
40	RCX59003	Seal-Compression	10
41	RCX12302	Washer-Plastic Connector	10
42	RCX59004	Plug-Seal	10
43	RCX97427	Spring-Handle	25
44	RCX97480RB	Handle Assembly, SharkVAC XL	1
45	RCX59006	Connector – Socket Molex	50
46	RCX97453	Power Supply, 110vac, SharkVAC	1
—	RCX31013A	Power Supply Circuit Breaker 3A	10
—	RCX31012	Power Supply Switch 16A	10
—	RCX31012A	Power Supply Switch Membrane Cover	10
—	RCX31018	Power Supply Output Connector	10
47	RCX50061	Power Cord Assembly, Floating, 55 ft.	1
—	RCX97500GR	Drive System Upgrade Kit, SV	1