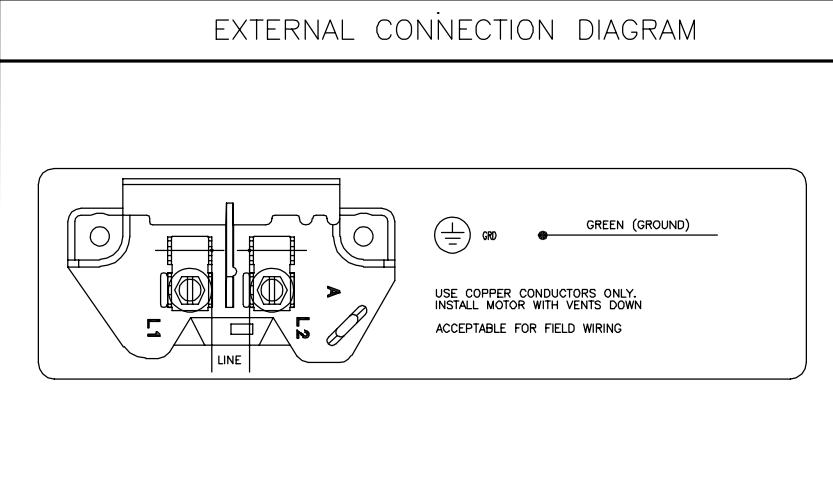


| REV | ECO | REV BY | DATE | APPD | DATE |
|-----|---------|-----------|------------|----------|------------|
| C | 0025579 | E.SINICIO | 04-25-2012 | R.RASCON | 04-25-2012 |

| NAMEPLATE DATA | |
|---------------------|------------|
| MODEL: K48P2A1A1 | |
| CUST PN: SDS1302 | |
| HP: 3.0/.38 | SF: 1.0 |
| ROT: CCWPE | |
| RPM: 3450/1725 | |
| TYPE: F/C | CODE: F |
| FORM: - | FRAME: 56Z |
| VOLTS: 230 | |
| AMPS: 12.0/3.7 | |
| MAX AMPS: - | |
| SF AMPS: - | |
| PH: 1 | HZ: 60 |
| INS: F | AMB: 50 |
| DUTY: CONT | |
| ENCLOSURE: - | |
| THERMALLY PROTECTED | |



- NOTES
1. FINISH PAINT TO BE SATIN BLACK
 2. .44[11.2] WRENCH FLATS ON SHAFT FOR ACCESS TO THIS WRENCH FLAT REMOVE END COVER.
 3. CARBON STEEL SHAFT
 4. LIMITS ON AMPLITUDE OF VIBRATION MEASURED AT BEARING HOUSING=.001[.02].
 5. MAX. END PLAY LESS THAN .005[.13]
 6. MOTOR ASSEMBLY(REF): 629151-002

| PERFORMANCE CURVE | APPROVED SAMPLE |
|-------------------|----------------------|
| K48P2W1 | - |
| UL COMPONENT | CSA |
| FILE# | CCN# |
| E46412 | PRGY2 |
| CUSTOMER | DISTRIBUTION SERVICE |
| | |

GEOMETRIC CHARACTERISTICS & SYMBOLS

- ∟ FLATNESS
- STRAIGHTNESS
- ∠ ANGULARITY
- ⊥ PERPENDICULARITY (SQUARENESS)
- // PARALLELISM
- ROUNDNESS (CIRCULARITY)
- ⊘ CYLINDRICITY
- △ PROFILE OF ANY SURFACE
- ⌒ PROFILE OF ANY LINE
- ↗ RUNOUT
- ⊕ TRUE POSITION
- ◎ CONCENTRICITY
- ≡ SYMMETRY

UNLESS OTHERWISE SPECIFIED DIM. TOLERANCES ARE AS FOLLOWS:

INCH X XX XXX XXXX
mm ±0.5 ±0.13 ±0.013

ANG. ±.50 DEG

REMOVE BURRS & BREAK SHARP EDGES:
INCH .003-.015 mm 0.1-0.4

CORNER FILLETS TO:
INCH .020 mm 0.5

MACHINE SURFACES:
INCH 125 mm 3.2

METRIC DIMS. SHOWN IN [BRACKETS]

ASME Y14.5M 1994

| | | |
|--|---------------------|--------------|
| DR BY: | TH | 10-28-2010 |
| APPD: | TZ | 10-28-2010 |
| THIRD ANGLE PROJECTION | EDS DATE 02-22-2008 | FORMAT REV G |
| CONFIDENTIAL: THIS DRAWING AND ITS INFORMATION ARE THE EXCLUSIVE AND CONFIDENTIAL PROPERTY OF REGAL-BELOIT CORPORATION AND ARE NOT TO BE DISCLOSED, DUPLICATED, DISTRIBUTED OR OTHERWISE USED WITHOUT THE WRITTEN CONSENT OF REGAL-BELOIT CORPORATION. -ALL RIGHTS RESERVED. | | |

| | |
|----------------------------|---------|
| | |
| DESCRIPTION | |
| MODEL-PFHP-48FR OUTLINE | |
| SIZE | DWG NO |
| C | SDS1302 |
| SCALE | SHEET |
| NONE | 1 |

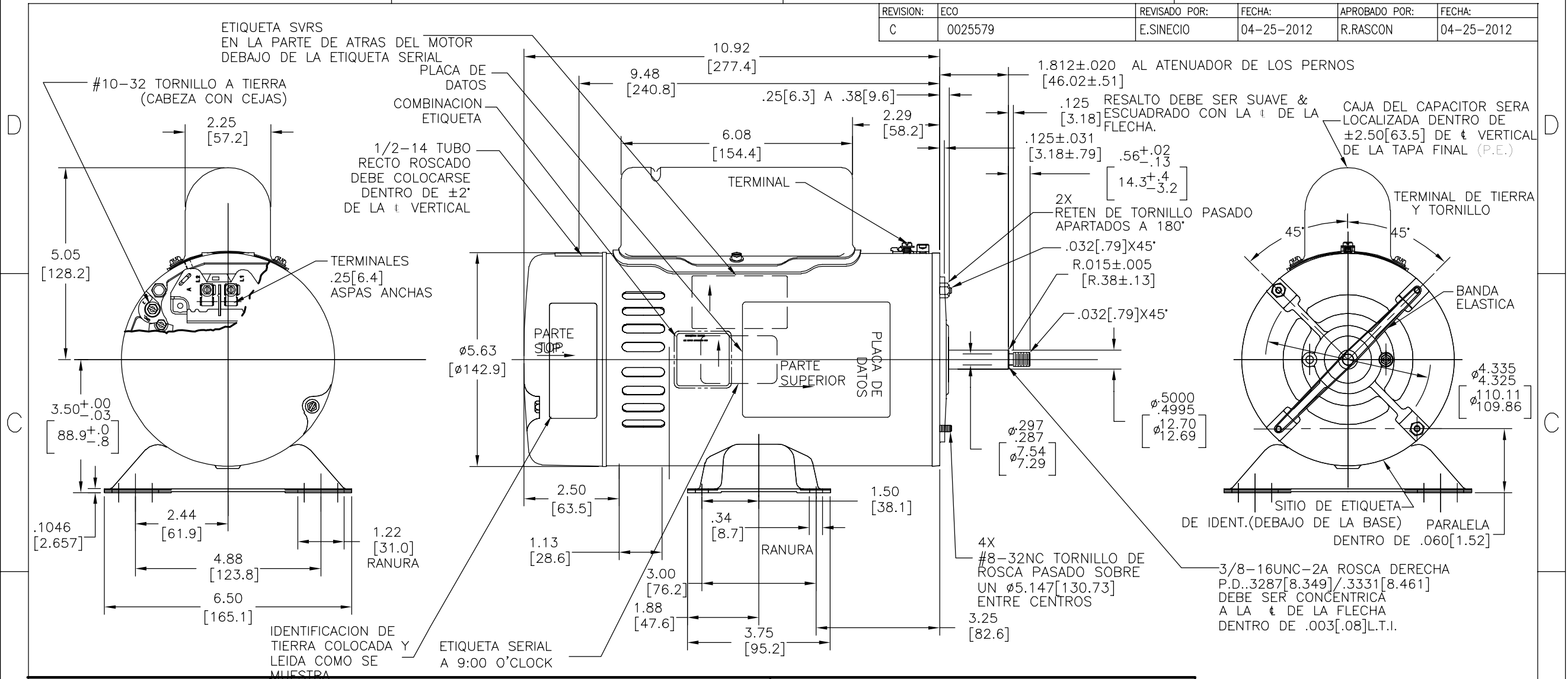
4

3

2

1

| | | | | | |
|-----------|---------|---------------|------------|---------------|------------|
| REVISION: | ECO | REVISADO POR: | FECHA: | APROBADO POR: | FECHA: |
| C | 0025579 | E.SINICIO | 04-25-2012 | R.RASCON | 04-25-2012 |



| NAMEPLATE DATA | | EXTERNAL CONNECTION DIAGRAM | NOTES |
|--|--|-----------------------------|---|
| MODEL: K48P2A1A1 CUST PN: SDS1302 HP: 3.0/.38 SF: 1.0 ROT: CCWPE RPM: 3450/1725 TYPE: F/C CODE: F FORM: - FRAME: 56Z VOLTS: 230 AMPS: 12.0/3.7 MAX AMPS: - SF AMPS: - PH: 1 HZ: 60 INS: F AMB: 50 DUTY: CONT ENCLOSURE: - THERMALLY PROTECTED | | | <ol style="list-style-type: none"> EL ACABADO DE LA PINTURA DEBE SER NEGRO SATIN PLANOS DE LA FLECHA DE .44[11.2] PARA ACCESO DE HERRAMIENTA QUITAR LA CUBIERTA FINAL. FLECHA DE ACERO AL CARBON LIMITES PARA AMPLITUD DE VIBRACION MEDIDA EN LA CAVIDAD DEL BALERO=.001[.03]. MAX. JUEGO AXIAL MENOS DE .005[.13] |

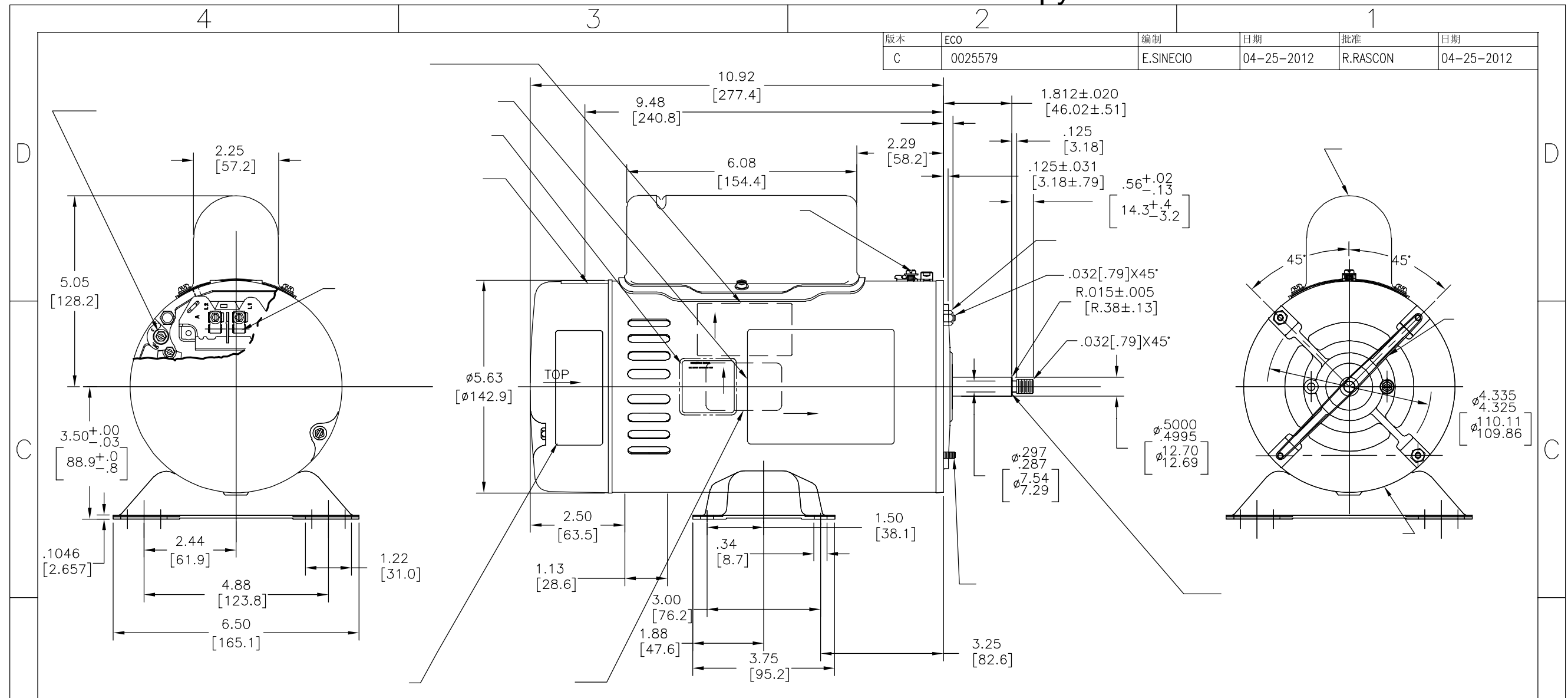
| | | | | | | |
|-------------------|----------------------|---|---|--|--|--|
| PERFORMANCE CURVE | APPROVED SAMPLE | CARACTERISTICAS DE GEOMETRIA Y SIMBOLOS ⊥ PLANICIDAD - RECTITUD ∠ ANGULARIDAD ⊥ PERPENDICULARIDAD (A ESCUADRA) // PARALELISMO ○ REDONDEZ (CIRCULARIDAD) ∅ CILINDRICIDAD △ PERFIL DE CUALQUIER SUPERFICIE ∇ PERFIL DE CUALQUIER LINEA ∩ VARIACION ⊕ POSICION REAL ⊙ CONCENTRICIDAD ≡ SIMETRIA | A MENOS QUE SE ESPECIFIQUE DE OTRA MANERA, LAS TOLERANCIAS DE LAS DIMS; SON LAS SIGUIENTES: PULG ±.1 ±.02 ±.005 ±.0005 mm ±0.5 ±0.13 ±0.013 ANG. ±50 GRADOS ELIMINAR REBABAS Y ORILLAS FILOSAS DEL BORDE. PULG .003-.015 mm 0.1-0.4 FILETEAR ESQUINA: PULG .020 mm 0.5 MAQUINAR SUPERFICIES PULG 125 mm .32 | DIBUJADO POR: TH | 10-28-2010 | DESCRIPCION: MODEL-PFHP-48FR OUTLINE TAMANÑO: C NUMERO DE DIBUJO: SDS1302 ESCALA:NONE HOJA: 1 |
| K48P2W1 | - | | | DIBUJADO POR: TZ APROBADO POR: TZ TERCER ANGULO DE PROYECCION CONFIDENCIAL: ESTE DIBUJO Y SU INFORMACION SON PROPIEDAD DE USO EXCLUSIVO Y CONFIDENCIAL DE REGAL-BELOIT CORPORATION. Y NO DEBERAN SER REVELADOS, DUPLICADOS, DISTRIBUIDOS O USARSE DE OTRA MANERA SIN EL CONSENTIMIENTO ESCRITO DE REGAL-BELOIT CORPORATION. -TODOS LOS DERECHOS RESERVADOS. | FECHA EDS: 02-22-2008 REV. FORMATO: G | |
| UL COMPONENT | CSA | ASME Y14.5M 1994 | | | | |
| FILE# | CCN# | FILE# | GUIDE# | | | |
| E46412 | PRGY2 | - | - | | | |
| CUSTOMER | DISTRIBUTION SERVICE | | | | | |

4

3

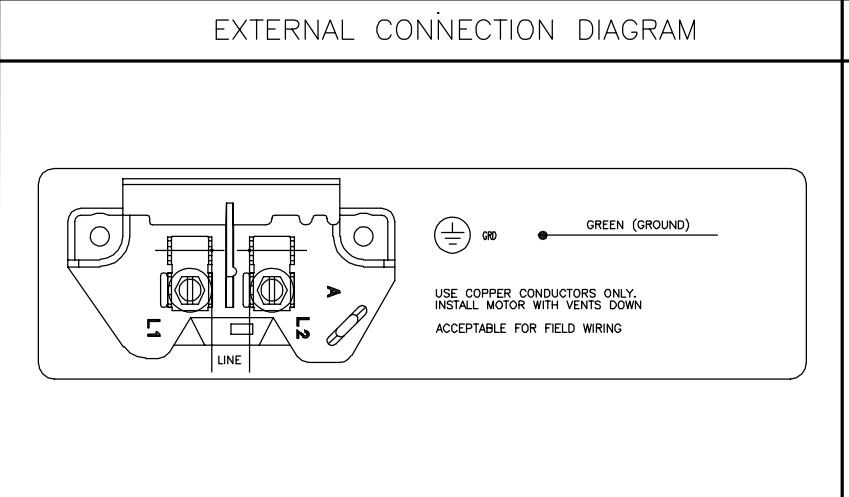
2

1



| | | | | | |
|----|---------|-----------|------------|----------|------------|
| 版本 | ECO | 编制 | 日期 | 批准 | 日期 |
| C | 0025579 | E.SINECIO | 04-25-2012 | R.RASCON | 04-25-2012 |

| NAMEPLATE DATA | |
|---------------------|------------|
| MODEL: K48P2A1A1 | |
| CUST PN: SDS1302 | |
| HP: 3.0/.38 | SF: 1.0 |
| ROT: CCWPE | |
| RPM: 3450/1725 | |
| TYPE: F/C | CODE: F |
| FORM: - | FRAME: 56Z |
| VOLTS: 230 | |
| AMPS: 12.0/3.7 | |
| MAX AMPS: - | |
| SF AMPS: - | |
| PH: 1 | HZ: 60 |
| INS: F | AMB: 50 |
| DUTY: CONT | |
| ENCLOSURE: - | |
| THERMALLY PROTECTED | |



| NOTES | |
|--|---|
| TH | 10-28-2010 |
| TZ | 10-28-2010 |
| 第三角投影 | <p>图纸格式发布日期 02-22-2008 图纸格式版本 G</p> |
| <p>机密: 本图纸及相关信息所有权归REGAL-BELOIT CORPORATION. 未经REGAL-BELOIT CORPORATION书面授权, 不得泄露、 复制、传播或作其他用途。—版权所有</p> | |

| PERFORMANCE CURVE | APPROVED SAMPLE | | |
|-------------------|----------------------|-------|--------|
| K48P2W1 | - | | |
| UL COMPONENT | CSA | | |
| FILE# | CCN# | FILE# | GUIDE# |
| E46412 | PRGY2 | - | - |
| CUSTOMER | DISTRIBUTION SERVICE | | |
| | | | |

| | |
|--------|-------------------------|
| 形位公差 | 除另有注明 |
| □ 平面度 | 尺寸公差如下: |
| — 直线度 | 英寸 ±.1 XX XXX XXXX |
| ∠ 倾斜度 | 毫米 ±0.5 ±0.13 ±0.013 |
| ⊥ 垂直度 | 角度 ±.50 度 |
| ∥ 平行度 | 清理毛刺和尖棱 |
| ○ 圆度 | 英寸 .003-.015 毫米 0.1-0.4 |
| ⊘ 圆柱度 | 内圆角 |
| △ 面轮廓度 | 英寸 .020 毫米 0.5 |
| ∩ 线轮廓度 | 表面粗糙度 |
| ⌒ 圆跳动 | 英制 125 米制 3.2 |
| ⊕ 位置度 | 米制尺寸显示在 [] |
| ◎ 同轴度 | |
| ≡ 对称度 | |

| |
|------------------|
| ASME Y14.5M 1994 |
|------------------|

| | |
|----|----------------------------|
| 名称 | MODEL-PFHP-48FR OUTLINE |
| 图幅 | C |
| 图号 | SDS1302 |
| 比例 | NONE |
| 页号 | 1 |

| | |
|---------------------------------------|---------|
| | |
| <p>名称 MODEL-PFHP-48FR OUTLINE</p> | |
| 图幅 | C |
| 图号 | SDS1302 |
| 比例 | NONE |
| 页号 | 1 |