

**RELAY KIT
(Model RLYSC)**

APPLICATION:

A 20 Amp DPST Relay for use with the following Control Systems:

1. LX220 Solar Control System. Provides “pool cleaner protection” and/or “booster pump control” options fro solar systems. Two relays can be added per system.
2. LX820 Emergency Shut-Off System. Permits an additional jet booster pump, air blower or filter pump to be disabled by the Shut-off Switch. Only one relay can be added per system.
3. LX120 Valve Control System. Activates 230V and 115VAC equipment (pump, light, etc.) in conjunction with motorized valves. A total of three relays can be added per system.

SPECIFICATIONS:

- TYPE DPST
- AMPS 20
- PUMP 2 HP MAX.
- LIGHTS 1000 WATTS MAX. 500/WATTS PER POLE.

INSTALLATION:

1. Loosen LOCK SCREW on hinged faceplate of Control, and swing open to expose the high and low voltage wiring compartments.
2. Remove wingnut from mounting stud of relay kit, and position relay inside high voltage compartment.
3. Feed low voltage connector through lower hole, and mounting stud through upper hole in compartment divider. Secure relay with wingnut from low voltage side of divider. If mounting a third relay, *see INSTALLATION OF THREE RELAYS.*
4. Plug low voltage connector into appropriate socket on circuit board.
5. Provide conduit and run the appropriate wires into the high voltage compartment.
6. Use wire nuts to make the necessary connections to relay kit.

Pentair Pool Products, Inc.
1620 Hawkins Ave., Sanford, NC 27330 • (919) 774-4151
10951 W. Los Angeles Ave., Moorpark, CA 93021 • (805) 523-2400



**RELAY KIT
(Model RLYSC)**

APPLICATION:

A 20 Amp DPST Relay for use with the following Control Systems:

1. LX220 Solar Control System. Provides “pool cleaner protection” and/or “booster pump control” options fro solar systems. Two relays can be added per system.
2. LX820 Emergency Shut-Off System. Permits an additional jet booster pump, air blower or filter pump to be disabled by the Shut-off Switch. Only one relay can be added per system.
3. LX120 Valve Control System. Activates 230V and 115VAC equipment (pump, light, etc.) in conjunction with motorized valves. A total of three relays can be added per system.

SPECIFICATIONS:

- TYPE DPST
- AMPS 20
- PUMP 2 HP MAX.
- LIGHTS 1000 WATTS MAX. 500/WATTS PER POLE.

INSTALLATION:

1. Loosen LOCK SCREW on hinged faceplate of Control, and swing open to expose the high and low voltage wiring compartments.
2. Remove wingnut from mounting stud of relay kit, and position relay inside high voltage compartment.
3. Feed low voltage connector through lower hole, and mounting stud through upper hole in compartment divider. Secure relay with wingnut from low voltage side of divider. If mounting a third relay, *see INSTALLATION OF THREE RELAYS.*
4. Plug low voltage connector into appropriate socket on circuit board.
5. Provide conduit and run the appropriate wires into the high voltage compartment.
6. Use wire nuts to make the necessary connections to relay kit.

Pentair Pool Products, Inc.
1620 Hawkins Ave., Sanford, NC 27330 • (919) 774-4151
10951 W. Los Angeles Ave., Moorpark, CA 93021 • (805) 523-2400



INSTALLATION OF THREE RELAYS:

1. If mounting a third relay, loosen wingnut on mounting stud of relay kit, and position relay inside high voltage compartment with its wire terminals facing the backside of the enclosure. (NOTE: This orientation is opposite to the other two relays.)
2. Slide mounting stud down the slot which is located above the other relays in the vertical section of the compartment divider. Secure relay in position with wingnut from low voltage side of divider. NOTE: If the relay kit has been mounted correctly, its wires will be concealed beneath the relay and be pointing toward the bottom of the enclosure.

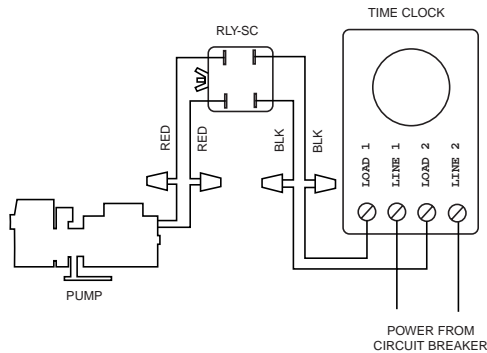
CAUTION

If the relay is mounted with its wire terminals facing upwards, the connections will short circuit against the metal faceplate.

HIGH VOLTAGE WIRING:

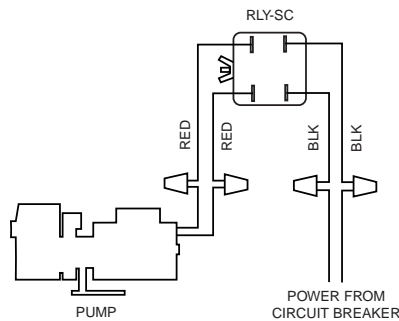
CONNECTING TO TIME CLOCK

Connect black wires to LOAD side of time clock, and red wires to the pump.



CONNECTING TO CIRCUIT BREAKER

Connect black wires to the circuit breaker, and red wires to the pump.



INSTALLATION OF THREE RELAYS:

1. If mounting a third relay, loosen wingnut on mounting stud of relay kit, and position relay inside high voltage compartment with its wire terminals facing the backside of the enclosure. (NOTE: This orientation is opposite to the other two relays.)
2. Slide mounting stud down the slot which is located above the other relays in the vertical section of the compartment divider. Secure relay in position with wingnut from low voltage side of divider. NOTE: If the relay kit has been mounted correctly, its wires will be concealed beneath the relay and be pointing toward the bottom of the enclosure.

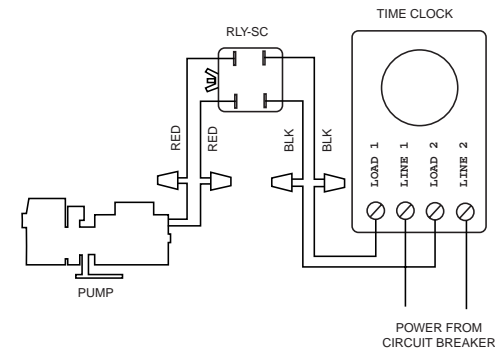
CAUTION

If the relay is mounted with its wire terminals facing upwards, the connections will short circuit against the metal faceplate.

HIGH VOLTAGE WIRING:

CONNECTING TO TIME CLOCK

Connect black wires to LOAD side of time clock, and red wires to the pump.



CONNECTING TO CIRCUIT BREAKER

Connect black wires to the circuit breaker, and red wires to the pump.

