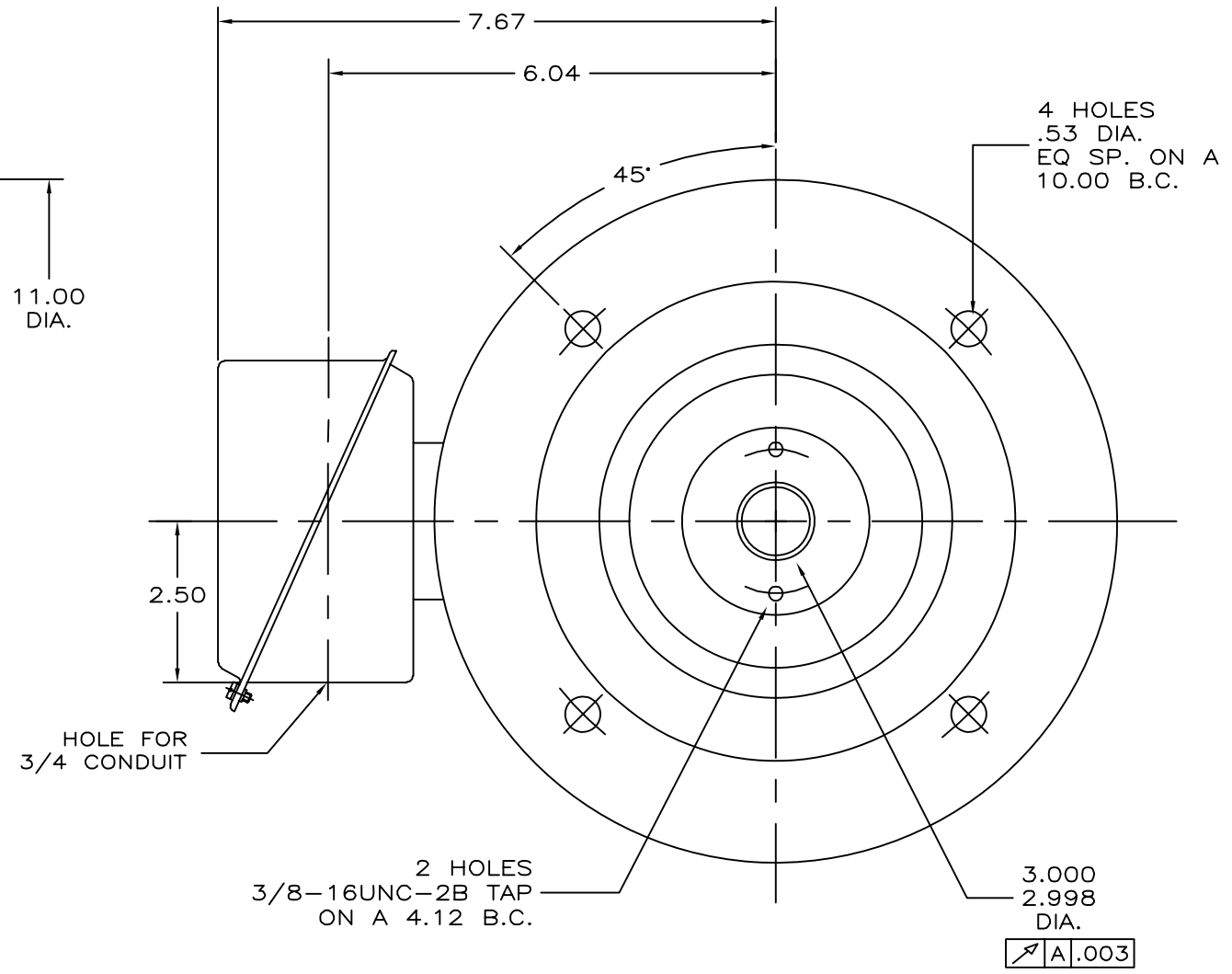
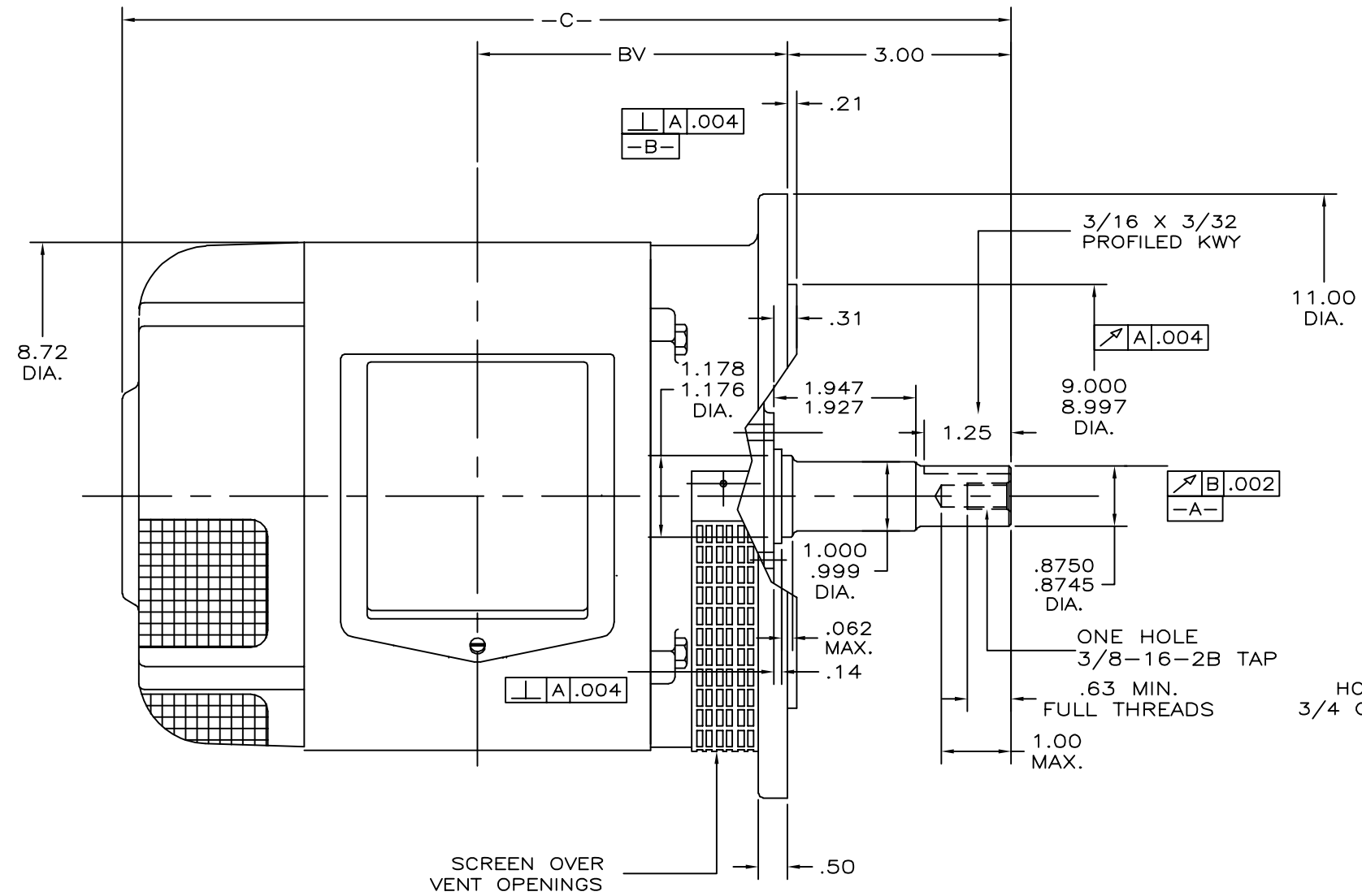


REV	DATE	ECN	DESCRIPTION	REV BY	APPD
7	2000/07/20	OOM2100B	ADDED FORM CONTROL	JMW	CLW



DEGREE OF STANDARDS	GROUP NUMBER	REFERENCE			C	BV
		TYPE	FRAME SIZE	FORM		
4	01	SC	S182TY	M	14.67	5.19
4	02	SC	S184TY	M	14.67	5.19

337076
114414
ENG. REF.

CERTIFICATION OF A.C. MOTORS
 CERTIFIED FOR _____
 SPEC. NO. _____ ORDER NO. _____
 ORDER I.D. _____ EMI _____
 TYPE _____ FRAME _____ H.P. _____
 R.P.M. _____ VOLTS _____ PHASE _____
 HERTZ _____ AMPS _____ CODE _____
 REMARKS _____

APPROVED BY _____ DATE: _____

A.O. SMITH
 ELECTRICAL PRODUCTS CORPORATION
 TIPP CITY, OHIO

TITLE
 180T OUTLINE OPEN
 SPECIAL NEMA 'D'

SIZE D DWG NO 337088 REV 7
 SCALE NONE SHEET 1 OF 1

CONDUIT BOX OUTLET
 MAY BE TURNED TO ANY
 ONE OF _ POSITIONS.

FRAME	CC	CLASS
180	5	1920

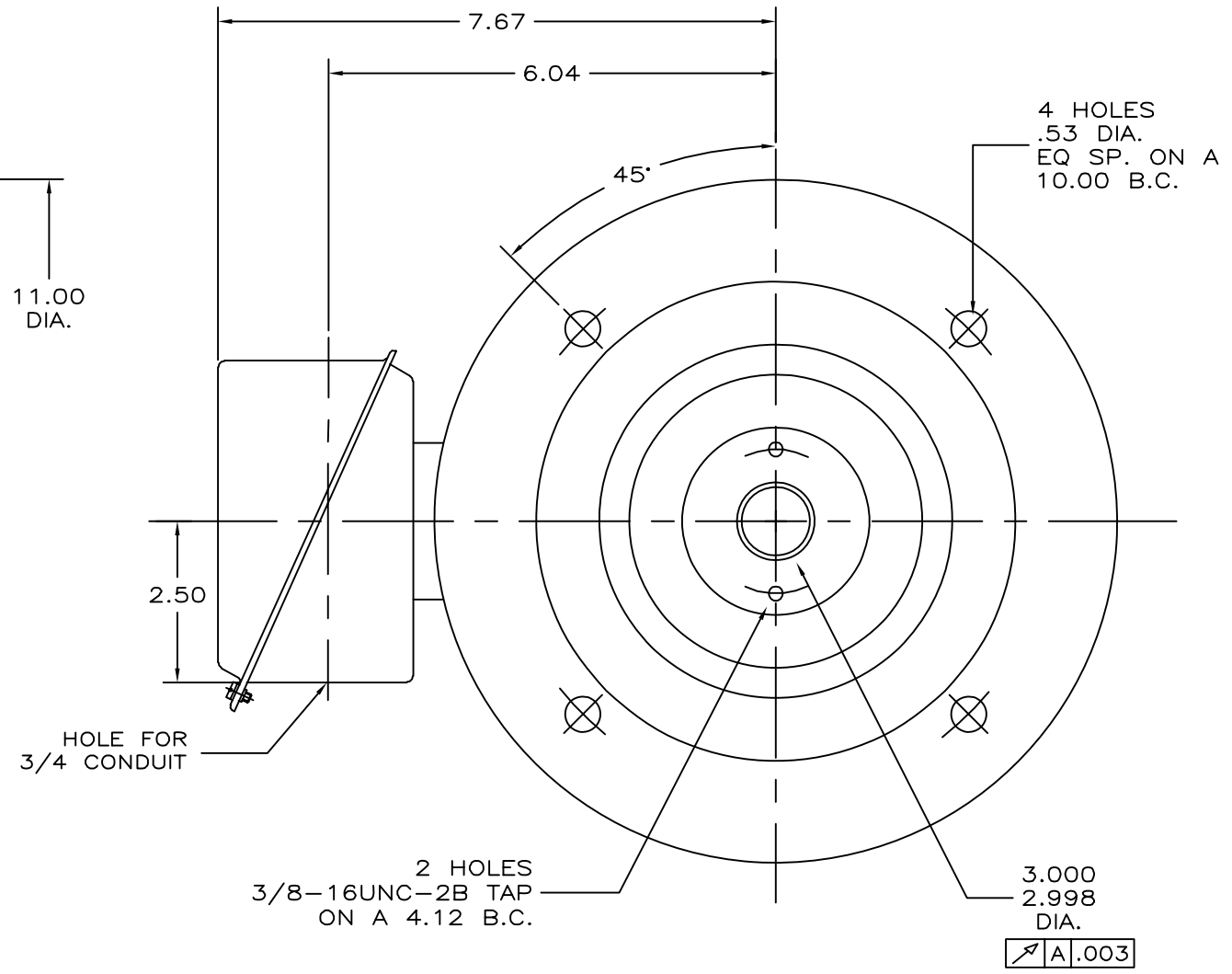
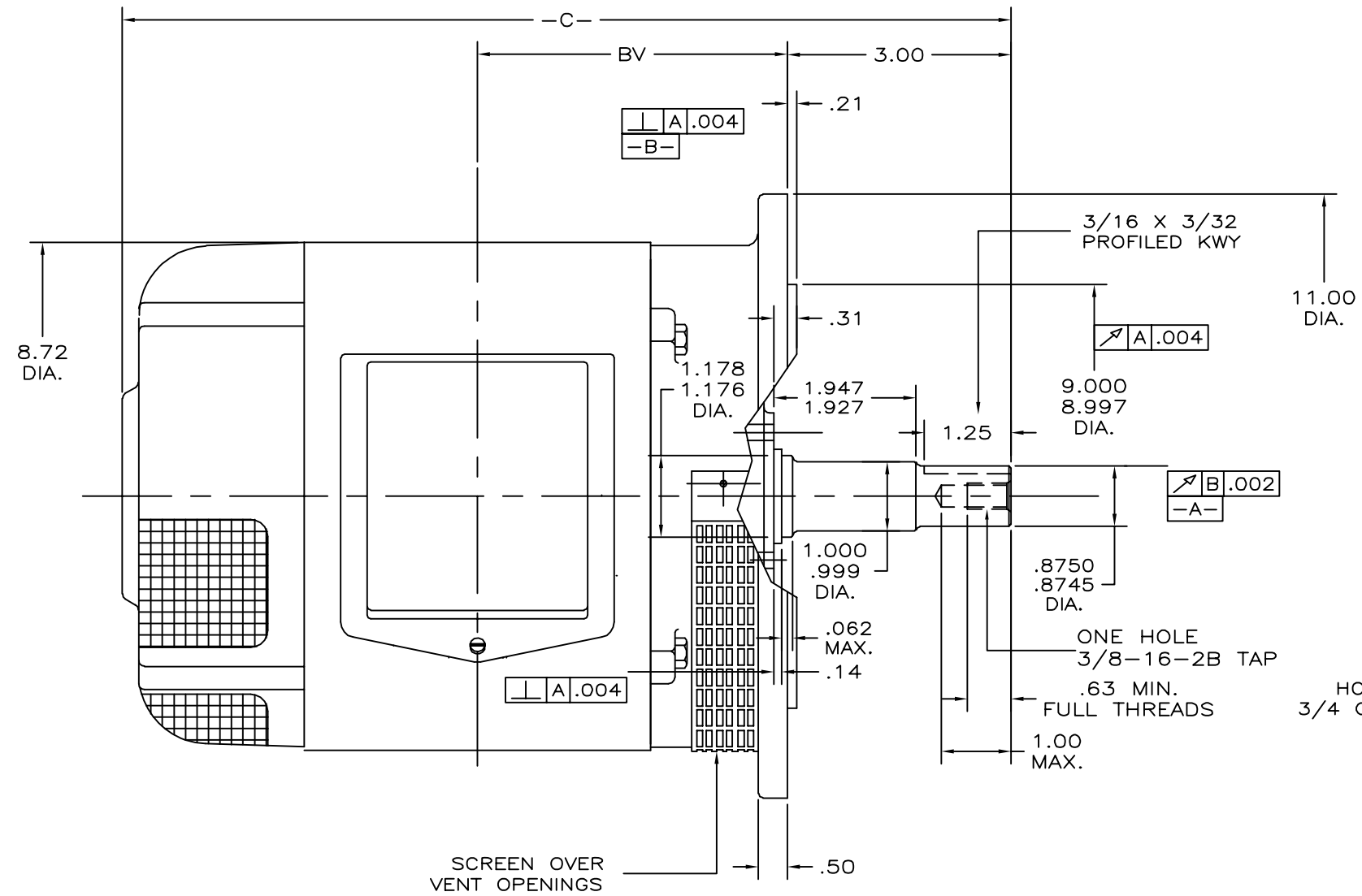
DO NOT SCALE DRAWING
 AUTOCAD FORM 3

UNLESS OTHERWISE SPECIFIED
 DIM ARE IN INCHES
 .X = ± .X
 .XX = ± .03
 .XXX = ± .010
 .XXXX = ± .005
 ANG = ± 2'

DR BY: EAM 1985/07/10
 CK BY: HS 1995/07/19
 APPD: _____
 ISS: 2000/07/20
 THIRD ANGLE PROJECTION

THE INFORMATION HEREON IS THE
 PROPERTY OF A.O. SMITH
 AND/OR ITS SUBSIDIARIES.
 WITHOUT WRITTEN PERMISSION,
 ANY COPYING, TRANSMITTAL
 TO OTHERS, AND ANY USE EXCEPT
 THAT FOR WHICH IT IS LOANED,
 IS PROHIBITED.

REV	DATE	ECN	DESCRIPTION	REV BY	APPD
7	2000/07/20	OOM2100B	ADDED FORM CONTROL	JMW	CLW



DEGREE OF STANDARDS	GROUP NUMBER	REFERENCE			C	BV
		TYPE	FRAME SIZE	FORM		
4	01	SC	S182TY	M	14.67	5.19
4	02	SC	S184TY	M	14.67	5.19

337076
114414
ENG. REF.

CERTIFICATION OF A.C. MOTORS
 CERTIFIED FOR _____
 SPEC. NO. _____ ORDER NO. _____
 ORDER I.D. _____ EMI _____
 TYPE _____ FRAME _____ H.P. _____
 R.P.M. _____ VOLTS _____ PHASE _____
 HERTZ _____ AMPS _____ CODE _____
 REMARKS _____

APPROVED BY _____ DATE: _____



TITLE
180T OUTLINE OPEN SPECIAL NEMA 'D'

SIZE D DWG NO 337088 REV 7

SCALE NONE SHEET 1 OF 1

CONDUIT BOX OUTLET MAY BE TURNED TO ANY ONE OF _ POSITIONS.

FRAME	CC	CLASS
180	5	1920

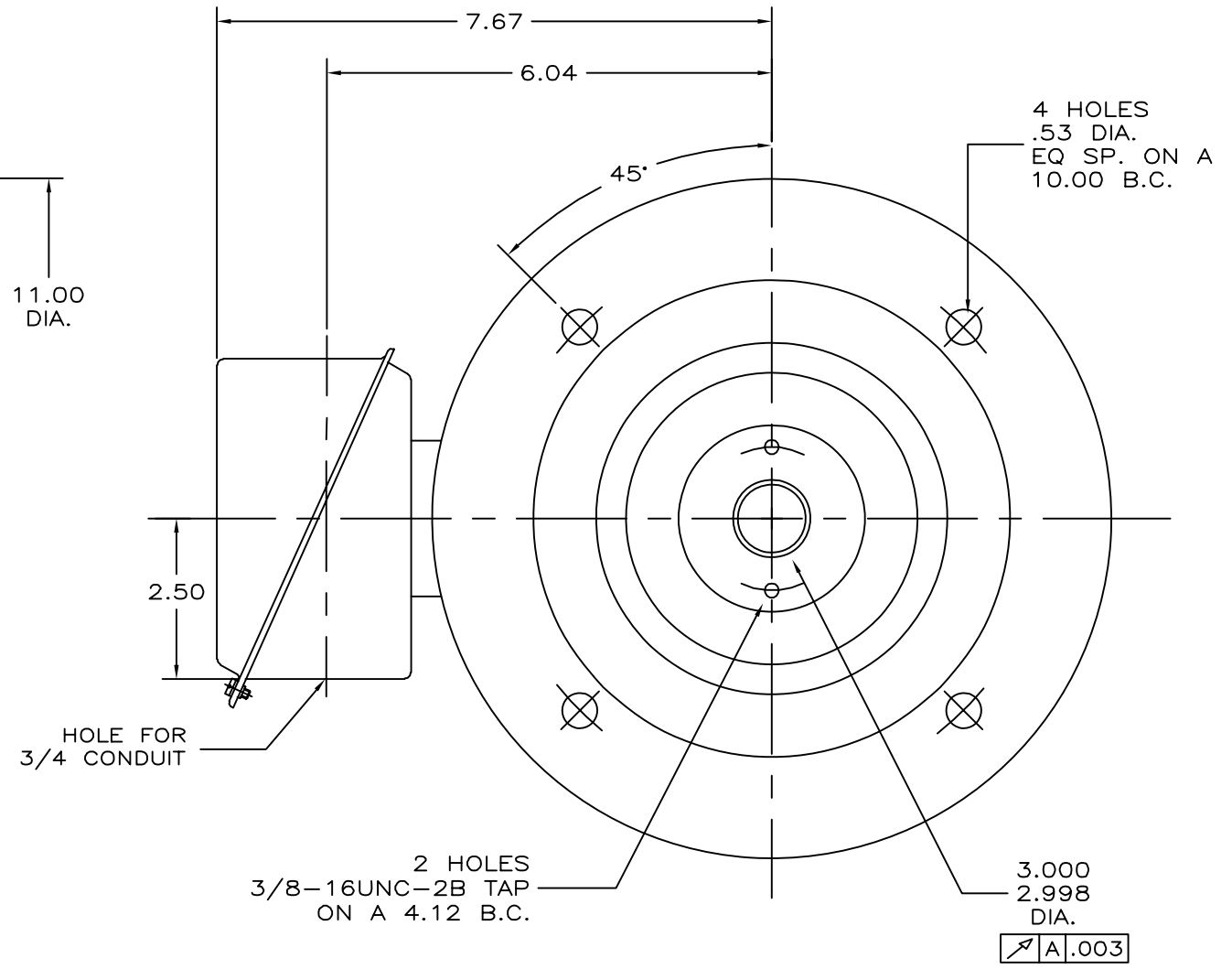
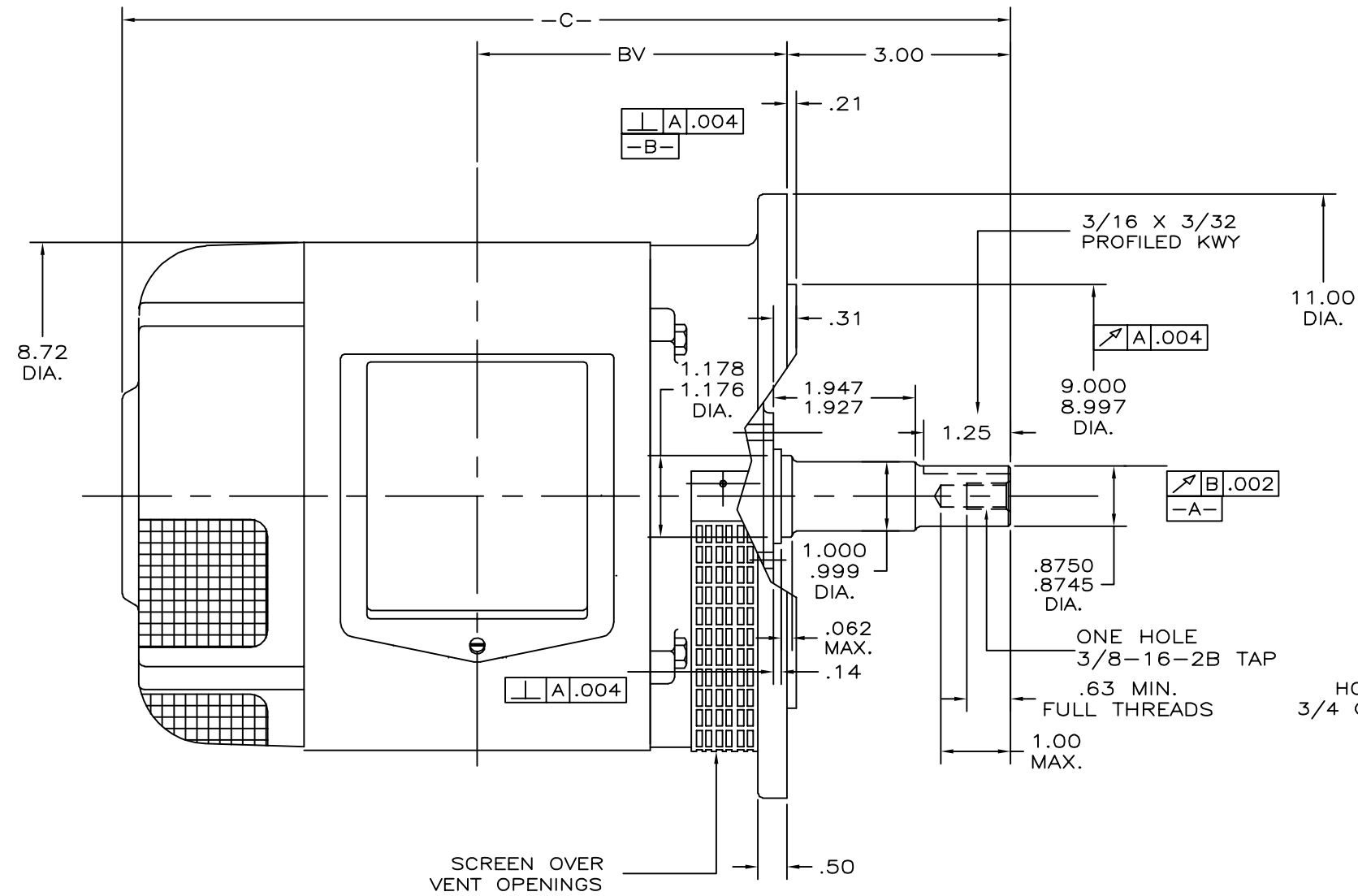
DO NOT SCALE DRAWING
AUTOCAD FORM 3

UNLESS OTHERWISE SPECIFIED DIM ARE IN INCHES
 .X = ± .X
 .XX = ± .03
 .XXX = ± .010
 .XXXX = ± .000X
 ANG = ± 2'

THE INFORMATION HEREON IS THE PROPERTY OF A.O. SMITH AND/OR ITS SUBSIDIARIES. WITHOUT WRITTEN PERMISSION, ANY COPYING, TRANSMITTAL TO OTHERS, AND ANY USE EXCEPT THAT FOR WHICH IT IS LOANED, IS PROHIBITED.

DR BY: EAM 1985/07/10
 CK BY: HS 1995/07/19
 APPD: _____
 ISS: 2000/07/20
 THIRD ANGLE PROJECTION

REV	DATE	ECN	DESCRIPTION	REV BY	APPD
7	2000/07/20	OOM2100B	ADDED FORM CONTROL	JMW	CLW



DEGREE OF STANDARDS	GROUP NUMBER	REFERENCE			C	BV
		TYPE	FRAME SIZE	FORM		
4	01	SC	S182TY	M	14.67	5.19
4	02	SC	S184TY	M	14.67	5.19

337076
114414
ENG. REF.

CERTIFICATION OF A.C. MOTORS
 CERTIFIED FOR _____
 SPEC. NO. _____ ORDER NO. _____
 ORDER I.D. _____ EMI _____
 TYPE _____ FRAME _____ H.P. _____
 R.P.M. _____ VOLTS _____ PHASE _____
 HERTZ _____ AMPS _____ CODE _____
 REMARKS _____

APPROVED BY _____ DATE: _____

A.O. SMITH
 ELECTRICAL PRODUCTS CORPORATION
 TIPP CITY, OHIO

TITLE
 180T OUTLINE OPEN
 SPECIAL NEMA 'D'

SIZE D DWG NO 337088 REV 7
 SCALE NONE SHEET 1 OF 1

CONDUIT BOX OUTLET
 MAY BE TURNED TO ANY
 ONE OF _ POSITIONS.

UNLESS OTHERWISE SPECIFIED
 DIM ARE IN INCHES
 .X = ± .X
 .XX = ± .03
 .XXX = ± .010
 .XXXX = ± .005
 ANG = ± 2'

FRAME CC CLASS
 180 5 1920
 DO NOT SCALE DRAWING
 AUTOCAD FORM 3

THE INFORMATION HEREON IS THE
 PROPERTY OF A.O. SMITH
 AND/OR ITS SUBSIDIARIES.
 WITHOUT WRITTEN PERMISSION,
 ANY COPYING, TRANSMITTAL
 TO OTHERS, AND ANY USE EXCEPT
 THAT FOR WHICH IT IS LOANED,
 IS PROHIBITED.

DR BY: EAM 1985/07/10
 CK BY: HS 1995/07/19
 APPD:
 ISS: 2000/07/20
 THIRD ANGLE PROJECTION