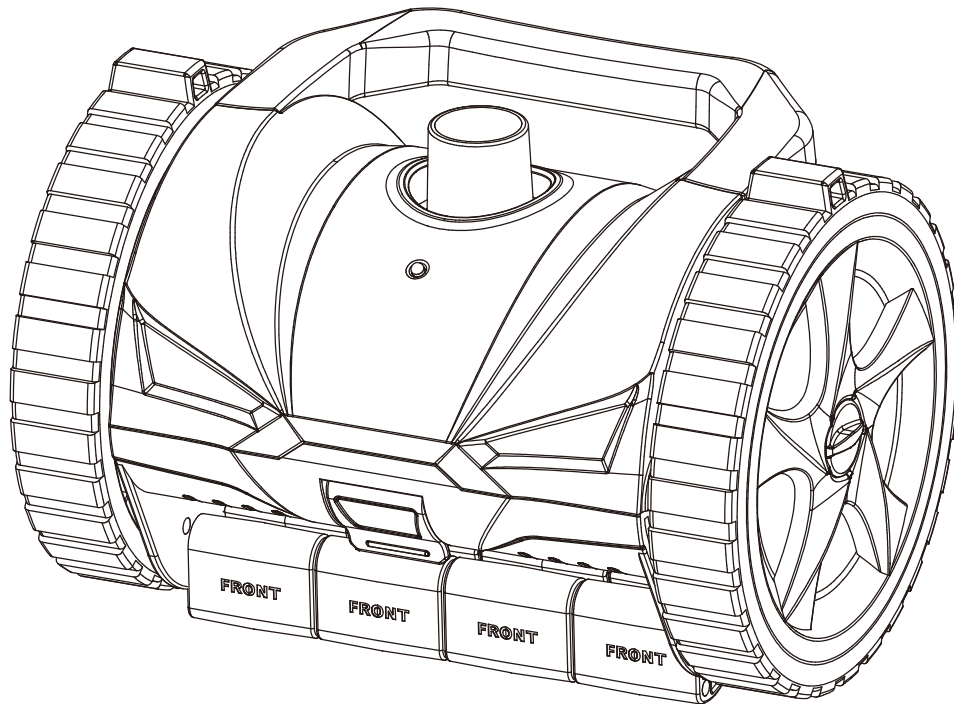


POWERFUL™ SUCTION SIDE POOL CLEANER WITH FLASHING LED LIGHT



INSTALLATION AND USER'S GUIDE

IMPORTANT SAFETY INSTRUCTIONS
READ AND FOLLOW ALL INSTRUCTIONS
SAVE THESE INSTRUCTIONS

IMPORTANT WARNING AND SAFETY INSTRUCTIONS



Important Notice:

Attention Installer: This guide contains important information about the installation, operation and safe use of this product. This information should be given to the owner and/or operator of this equipment after installation of the pool cleaner.

Attention User: This manual contains important information that will help you in operating and maintaining this pool cleaner. Please retain it for future reference.



WARNING Before installing this product, read and follow all warning notices and instructions which are included. Failure to follow safety warnings and instructions can result in severe injury, death, or property damage.

Consumer Information and Safety

This pool cleaner is designed and manufactured to provide many years of safe and reliable service when installed, operated and maintained according to the information in this manual. Throughout the manual, safety warnings and cautions are identified by the “▲” symbol. Be sure to read and comply with all of the warnings and cautions.



HAZARDOUS SUCTION.

Do not play with cleaner or hose or apply to body. Can trap and tear hair or body parts. Hose can trip or entangle swimmers which could result in drowning.



SUCTION ENTRAPMENT, INJURY, AND DROWNING HAZARD. If your pool has a dedicated suction port (“vac port”) for vacuuming or for an automatic pool cleaner, it must be covered when not in use. A spring loaded safety cover (a “vac port fitting”) is included with your cleaner. Install it on the suction port to prevent entrapment and injury. If the cover provided does not fit, purchase one that does from your local pool store and install it instead.



Stop pump before attempting to clean unit. Do not allow swimmers in pool while pool cleaner is operating.



To reduce the risk of injury, do not let children use or play with pool cleaner.



Do not allow swimmers in the pool while pool cleaner is operating. Hose can trip or entangle swimmers which could result in drowning.



Moving parts may injure hands or fingers. Stop pump before attempting to clean out pool cleaner head.



General Installation Information

Pre-Installation Check List

Before installing your cleaner, review and understand all warnings and safety information in this guide. Failure to follow these instructions or improper installation of the cleaner can result in damage to the pool finish or the vinyl liner.

Before installing the cleaner in a vinyl liner pool:

Check liner closely for signs of deterioration or damage from age, chemicals, pool wall damage, etc. If any damage is found, have a qualified pool professional make all the necessary repairs. Also, if there are stones, roots, etc., under the liner, remove them before installing the cleaner.

Before installing the cleaner in a gunite pool or a pool that is partially or completely tiled:

Repair loose tiles and tighten any loose light rings.

Before installing the cleaner, clean your filter system:

Make sure you have cleaned the filter, including backwashing, rinsing, and emptying all baskets. A clean system is necessary for proper cleaner operation and coverage.

Before installing the cleaner, understand cleaner coverage:

The cleaner is designed to rid your pool of debris in approximately 4-6 hours. Less time could be needed, depending on the pool size. The cleaner was not designed to automatically clean steps or swimouts or to work under a solar cover. It was also not designed to do initial cleanup for a new pool or when opening your pool for the season.

AFTER installing the cleaner, make sure the cleaner is operating correctly:

The cleaner may need some minor adjustments to make sure it is operating properly so there is no damage to the pool finish. Certain vinyl liner patterns are particularly susceptible to surface wear, pattern removal, ink rubbing off of, or serious scratches to the pattern caused by objects coming into contact with the vinyl surface, including automatic pool cleaners. Not responsible for any pattern removal, abrasions or markings on vinyl liners.

IMPORTANT WARNING AND SAFETY INSTRUCTIONS

Disclaimer of Liability About your Pool and Cleaner

There are a multitude of factors that contribute to the life of your pool. The pool cleaner is a very passive product that will have no impact on pool life.

Please be aware that over time, deterioration, discoloration and brittleness of any pool finish can be caused separately by, or in combination with, age, an imbalance in pool water chemistry, improper installation and other factors. Suction side pool cleaners, such as the pool cleaner, will not remove or cause wear on "good" pool plaster. In fact, the opposite is true—pool plaster will eventually cause wear on the cleaner.

The same situation holds true for vinyl-lined in-ground swimming pools, because vinyl liners are also affected by the environment and factors such as pool water chemistry, sunlight and the pool's surroundings. Therefore over time, vinyl can become brittle and weak. In addition, vinyl-lined pools are affected by the workmanship, composition and installation of the liner and the workmanship and quality of construction of the supporting walls and pool base. These are all factors which can contribute to liner failure. The existence of any of these type of conditions in your pool is not caused by the use or operation of the pool cleaner. The manufacturer disclaims any liability for repairs or replacement to any of these structures or components of the customer's pool.

The pool owner must assume all responsibility for the condition and maintenance of the pool's surface, water and deck.

SAVE THESE INSTRUCTIONS

POOL PREPARATION

Pool Preparation

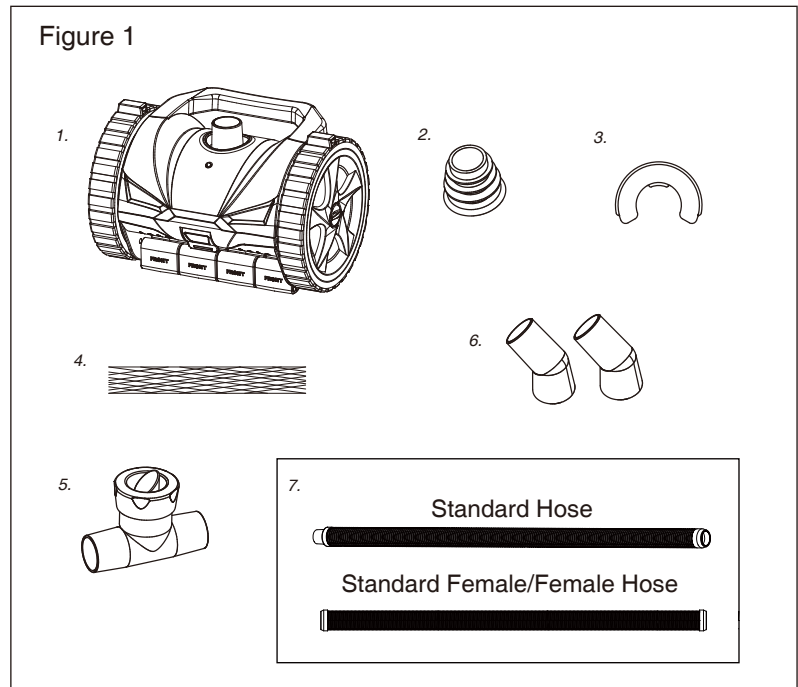
Before installing the Pool Cleaner, your pool should be clean and algae-free so as to not inhibit the cleaner's traction. If necessary, make the following preparations before proceeding:

1. Chemically balance the pool water.
2. Brush pool and let the debris settle.
3. Hand vacuum thoroughly.
4. Clean filter and pump strainer basket.

Cleaner Components

Remove the cleaner and all parts from the box. Check to be sure all components are included.

1. Cleaner body
2. Compression Adapter
3. Hose float
4. Hose protector
5. Regulator valve
6. Elbow connector (2)
7. Hose Set – 12 Sections
 - 11 Standard Male/Female Hoses
 - 1 Standard Female/Female Hose



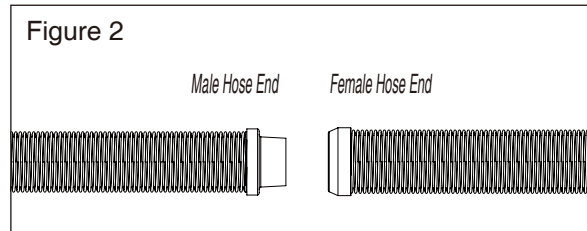
ASSEMBLING THE CLEANER

The Pool Cleaner body is shipped as one piece, making cleaner assembly a simple and quick process.

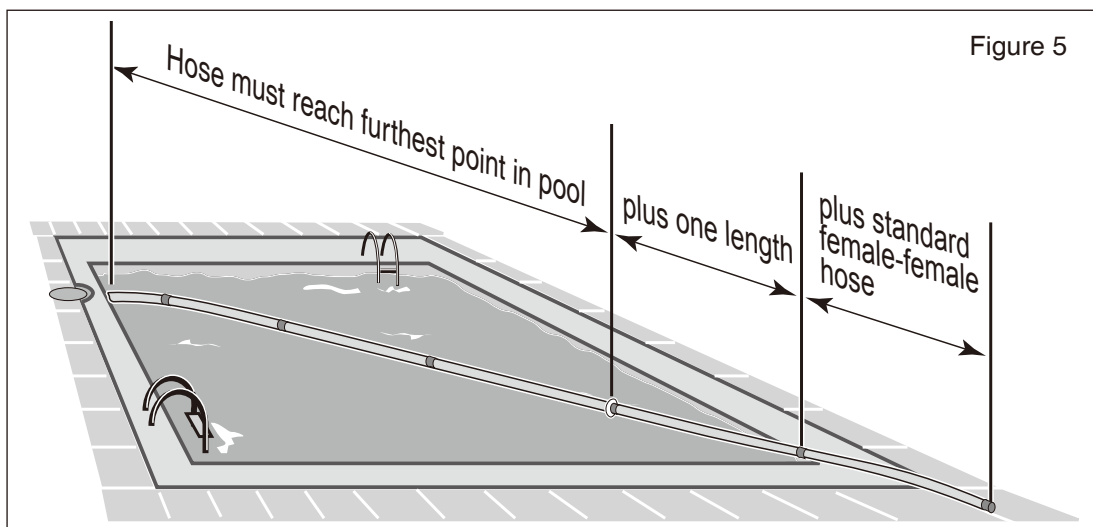
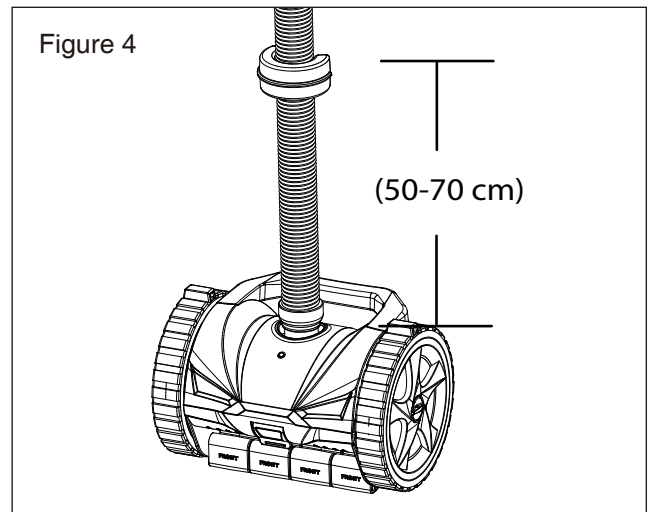
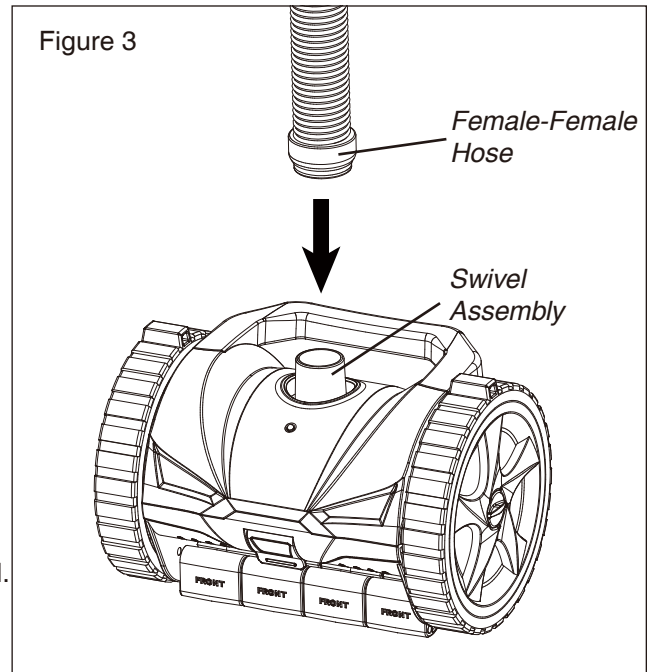
Hose Assembly

For best results and to maintain proper operation, use only original parts and hoses.

1. To connect the hose sections, wet the ends in the pool water, then twist and push the female ends onto the male ends.



2. Connect the Female-Female hose to the cleaner swivel. See **Figure 3**.
3. The hose should reach from where the cleaner is connected to the farthest point of the pool, plus one section and the Female-Female hose.
4. Install the hose float onto the hose. The float should be placed (50-70 centimeters) above the cleaner. See **Figure 4**.
5. Make sure that all connections are snug.
6. The overall length of hose needed will be determined by the distance from the point at which you attach the hose to the suction port to the furthest point in the pool, plus one length. Refer to **Figure 5**.

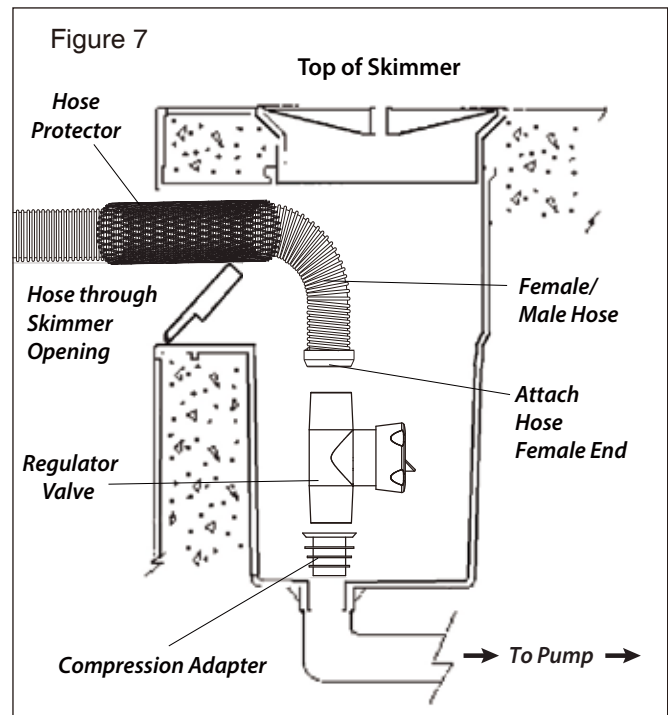
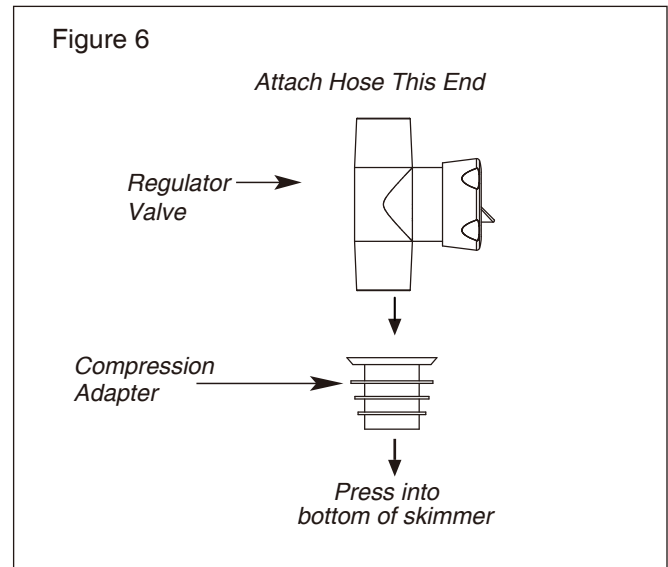


INSTALLING THE CLEANER

Standard Installation

The Pool Cleaner is designed to work in a wide variety of swimming pools. Both the standard in-skimmer installation and optional vacuum line installation are covered in this section. Check to see which most closely fits your pool configuration and follow the directions.

1. Turn the pool pump off.
 2. Close the main drain and all suction lines, except the line from the skimmer to which the cleaner will be connected.
 3. Remove skimmer basket.
 4. Press the compression adapter into the vacuum connection in the bottom of the skimmer. See **Figure 7**.
 5. Press the regulator valve into the compression adapter. Make sure that the arrow under the regulator valve is pointing towards the skimmer.
 6. Place cleaner into the pool. Turn it side to side and front to back to release any trapped air, allowing the cleaner to sink to the floor of the pool. Continue to feed the hose vertically down into the pool until it is completely filled with water and purged of air.
- Note:** If air is pulled into the pool plumbing it may cause your pump to lose prime.
7. Slide the hose protector into position on the hose to prevent the hose body from rubbing against the skimmer wall.
 8. Insert the end of the hose through the skimmer opening and connect the hose directly onto the regulator valve. See **Figure 7**.



Optional Vacuum Line Installation

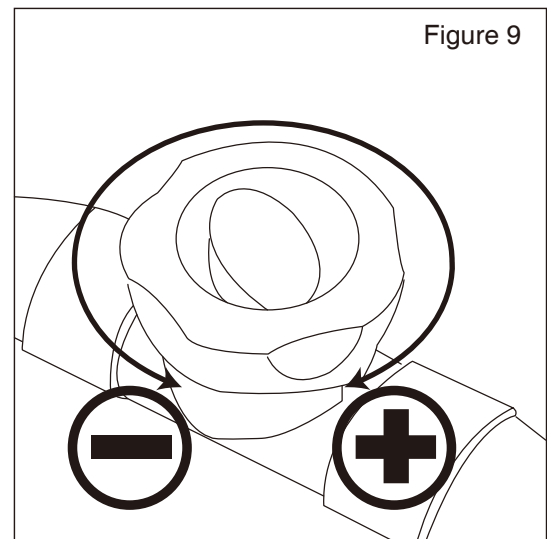
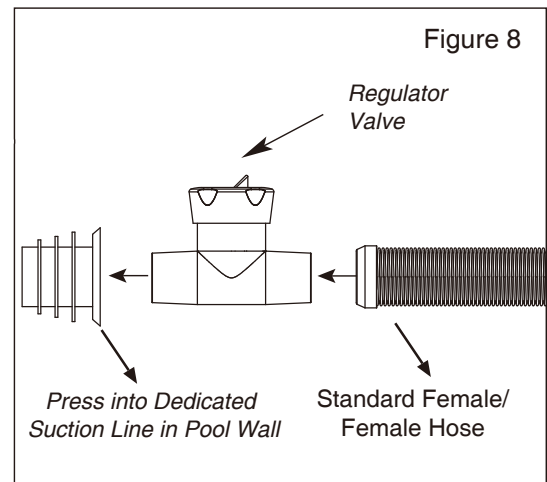
Vacuum Line Installation with Regulator Valve in Skimmer.

We highly recommend the use of the regulator valve to balance water flow between the Pool Cleaner and the skimmer. Install the regulator valve in the skimmer when attaching the cleaner to a dedicated vacuum line.

1. Turn the pool pump off.
2. Close the main drain and all suction lines, except the lines from the skimmer and the suction line to which the cleaner will be connected.
3. Press the Compression Adaptor wall fitting into the end of the dedicated suction line.
4. Place the cleaner (with the hose attached) into the pool. Turn it side to side and front to back to release any trapped air, allowing the cleaner to sink to the floor of the pool. Continue to feed the hose vertically down into the pool until it is completely filled with water and purged of air.

Note: If air is pulled into the pool plumbing it may cause your pump to lose prime.
5. Insert the Female hose end of the last hose section directly into the Compression adaptor. See **Figure.8**

After completing the installation, turn the pool pump on. Allow the pump to run for a couple of minutes to be sure all air cycles out of the system.



Calculating Cleaner Speed (RPM)

It features LED flashing light showing moving status, it will flashing when it moves and will be off when it stop. Following the steps below will allow you to calculate the cleaner speed and adjust RPM as needed.

1. While the cleaner is running, bring the cleaner up to just beneath the pool's water surface.

Note: Be sure to keep the cleaner submerged while the pump is operating. This prevents the cleaner from pulling air into the pool system.
2. Count the number of full rotations made by the wheel over a period of one minute. The number of rotations will give you the revolutions per minute; or RPM's. An easy way to be sure you are counting full rotations is by counting the number of times the wheel hump passes by the swivel assembly.
3. For proper performance, the cleaner operates between 12-14 RPM.

If the RPM is below 12 adjust the regulator valve (rotate adjustment knob clockwise) and repeat steps 1-2 until the RPM falls back into the optimal range.

If the RPM is higher than 14 adjust the regulator valve (rotate adjustment knob counterclockwise) and repeat steps 1-2 until the RPM falls back into the optimal range.

CLEANER ADJUSTMENTS AND OPERATION

Hose Length

Note: The pump must be on when you check the hose length. The hose contracts when the pump is operating and will be longer when the pump is off.

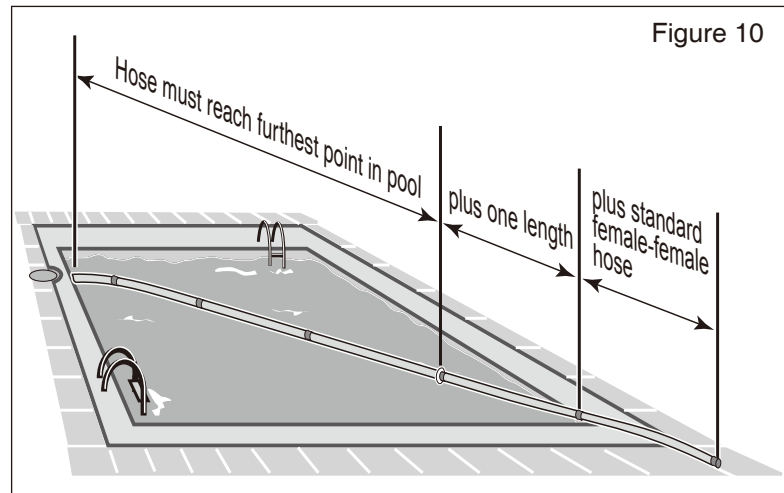
While the cleaner is operating:

1. Position cleaner at the furthest point of the pool from where it's attached. Use a pool pole and brush to easily position the cleaner in the pool.
2. The hose should be long enough to reach the end of the pool, plus one hose section before the standard Female-Female Hose.

Figure 10.

3. Remove any excess hose lengths from the middle of the hose assembly. This will ensure you do not alter the position of the hose float.
4. Save extra hose sections for use as needed for replacement.

Note: Turn pool pump off when adding or removing hose sections.



Return Line Water Flow

IMPORTANT: The water flow from your return line can push the Pool Cleaner's hose and affect its performance. It may cause the cleaner to steer away from the end of the pool where the return line is located, or it may cause your cleaner to remain in one section of the pool. To correct this, use the eyeball (not included).

Eyeball Positions

Position the eyeball opening to redirect the return line water flow so it does not interfere with the cleaner's movement. Try different positions to see which works best in your pool:

- flow directed along the side of pool (the tile line).
- flow directed downward.
- flow directed against the hose will help steer the cleaner away from obstructions such as stairs and ladders.

After installing the eyeball, turn the pool pump on. The cleaner should begin moving across the pool floor vacuuming up debris in its path.

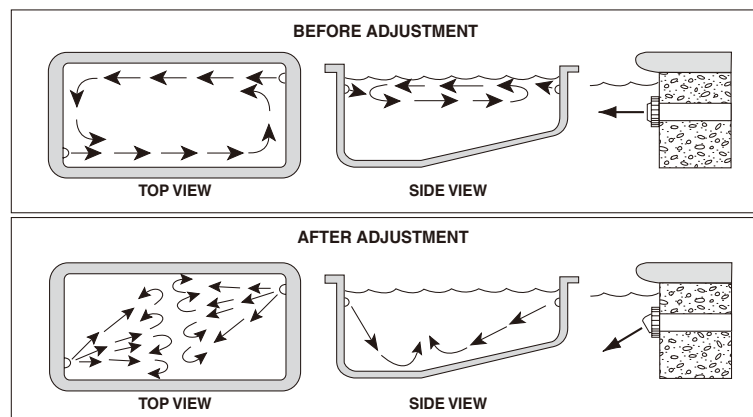


Figure 11

MAINTENANCE

The Pool Cleaner requires almost no maintenance. Visually inspect your cleaner from time to time to make sure that:

- The turbine is moving freely and is not obstructed by debris. See “Removing Debris from the Turbine” below.
- The tires are not excessively worn. See **Figure 12** on the next page.

We recommend that you leave the cleaner in your pool, except during chemical shock treatments.

- During swimming it is easy to unplug the cleaner and pull it to one side.
- **Note:** When storing the cleaner, do not coil the hose. Lay the hose flat in an area protected from direct sunlight.

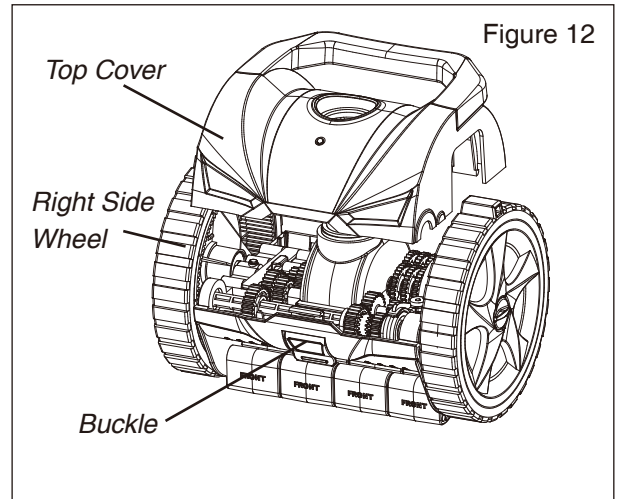
Removing Debris from the Turbine

1. Be sure the pool pump is off. Remove the cleaner from the pool and disconnect the cleaner from the leader hose.
2. Check to see if anything is clogged inside the cleaner. Do this by positioning the cleaner with the buckle facing you and attempt to rotate the right side wheel forward. If the wheel rotates smoothly there probably is no obstruction. If it won't rotate there is an obstruction.
3. Place the cleaner on a flat work surface. Open the buckle on the front of the cleaner by pulling it out .

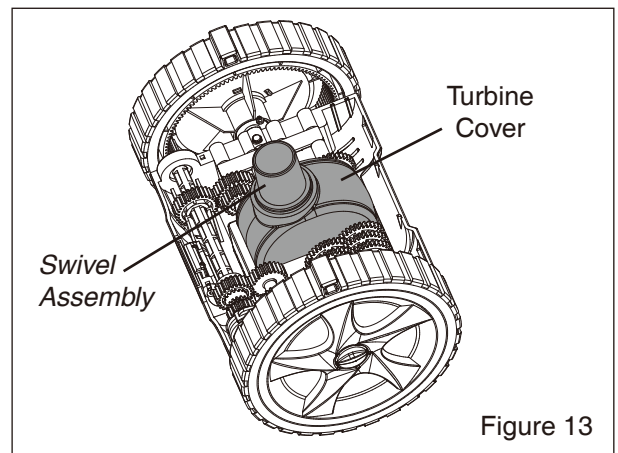
Lift the front of the top cover up and then firmly pull it forward. This will separate the top cover from the cleaner body and you will now be able to lift the top cover straight up from the cleaner body (see **Figure 12**). Set the cover aside.

Note: The top cover is designed to fit tightly so you may have to wiggle it a little.

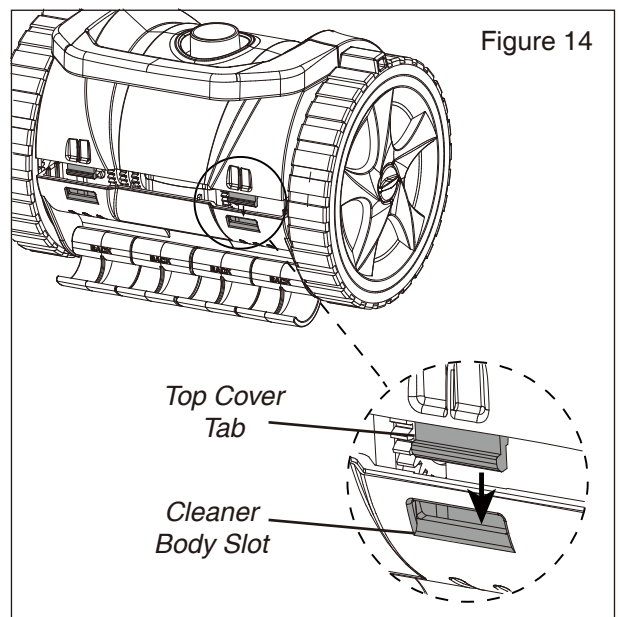
4. Pull the turbine cover straight up and off of the cleaner body. Set the turbine cover aside. See **Figure 13**.
5. Remove any visible obstructions from the turbine and turbine cover.
6. Replace the turbine cover with the swivel assembly oriented towards the front of the cleaner. See **Figure 13**.
7. Visually inspect the rest of the cleaner and remove any debris that may be in the gears, drive shafts, swivel assembly, etc.
8. Repeat **step 2 (turning the right wheel)** to insure that the cleaner runs smoothly.
9. Place the top cover over the swivel assembly.
10. Place the tabs on the back side of the top cover into the slots on the back side of the cleaner body (see **Figure 14**). Once these tabs are seated in the slots the front of the cover will fall into place.
11. Lock the top cover onto the cleaner body with the locking buckle on the front of the cleaner.



Removal of Top Cover



Swivel Assembly and Cleaner Internals



Cover Tabs and Corresponding Body Slots

Tire Replacement

After prolonged use it may become necessary to replace the Pool Cleaner's rubber tires. When the tire surface has worn into the tire's grooves the tire is in need of replacement. See **Figure 15**.

To remove the cleaner tire:

1. Turn the pool pump off and remove the cleaner from the pool.
2. Disconnect the cleaner from the leader hose.
3. Place the cleaner on a flat work surface and fold the tire off of the wheel from top to bottom.

Note: Remove the tire by hand. Using other objects (screwdrivers, Allen keys, etc.) to remove the tire may damage the wheel.

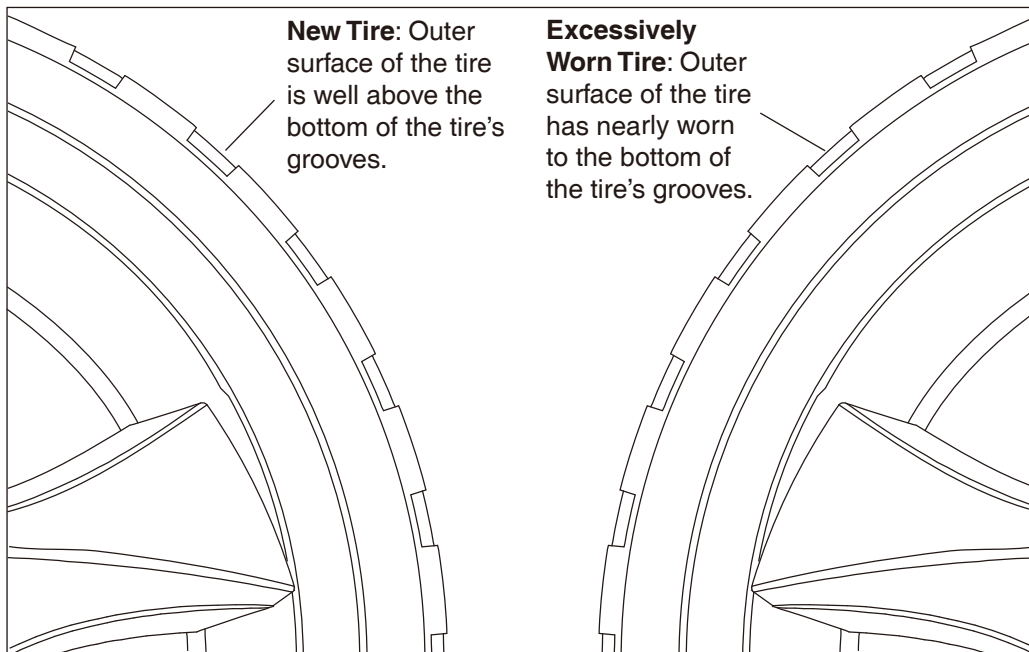


Figure 15: Tire Wear Comparison

To install the replacement tire:

1. Place the cleaner on a flat work surface and seat the top of the rubber tire onto the top of the wheel. Be sure that the back lip of the tire is resting flat on the inside edge of the wheel.

Note: Replace the tire by hand. Using other objects (screwdrivers, Allen keys, etc.) to replace the tire may damage the wheel.

2. Stretch the bottom of the tire over the bottom of the wheel. Be sure that the back lip of the tire is resting flat on the inside edge of the wheel.
3. Fold the back lip of the tire onto the back of the cleaner wheel along the entire cleaner wheel. The tire should lie flat on the top surface of the wheel.

TROUBLESHOOTING

Because of the individual characteristics of your pool, some additional adjustments may be required to get the best performance from your Pool Cleaner. Use the following information to resolve possible issues

PROBLEM	CORRECTIVE ACTION
<p>Cleaner is not moving or is moving too slowly. The Led light will be off or flashing very slowly.</p>	<p>Calculating the cleaner RPM and adjust the flow if necessary using the regulator valve. See page 4.</p> <p>Check for debris inside the cleaner itself. See page 6.</p> <p>Check to be sure the pump has primed. Check for leaks in the system that may prevent proper priming.</p> <p>There may not be enough flow through the system. The filter may need backwashing.</p> <p>Check to be sure that the main drain and all suction lines are closed, except for the suction line to which the cleaner is attached.</p> <p>Check for obstructions in the system (e.g. debris in the filter, pump basket or pump impeller).</p> <p>Pool pump and filter system may be too small to provide proper water flow. Consult your pool professional.</p>
<p>Cleaner's right wheel will not turn when rotated by hand.</p>	<p>Check for obstructions inside the cleaner itself. See page 6.</p>
<p>Cleaner stays in one end of the pool.</p>	<p>Calculating the cleaner RPM and adjust the flow if necessary using the regulator valve. See page 4.</p> <p>Check the return line water flow and redirect as necessary with the eyeball. See page 5.</p> <p>Check that hose is long enough to reach the furthest point in the pool. See page 6.</p> <p>Check for proper hose float placement. The float may be in the wrong position. See page 2.</p> <p>Be sure that the swivel assembly (at top of cleaner) rotates smoothly. If not, the swivel assembly may be dirty and require cleaning.</p>
<p>Cleaner climbs the wall too much or climbs out of pool.</p>	<p>Calculating the cleaner RPM and adjust the flow if necessary using the regulator valve. See page 4.</p>
<p>Cleaner won't climb the pool walls.</p>	<p>Check to be sure that the cleaner tires are not excessively worn. See page 7. Excessively worn tires will not provide the grip necessary for your cleaner to climb pool walls.</p> <p>Calculating the cleaner RPM and adjust the flow if necessary using the regulator valve. See page 4.</p> <p>Check for proper hose float placement. The float may be in the wrong position. See page 2.</p>
<p>Cleaner stays on the main drain.</p>	<p>Check to be sure that main drain is closed. May need assistance from a pool professional.</p> <p>Check to be sure a main drain grate is installed.</p>
<p>Cleaner falls on its side and takes too long to recover.</p>	<p>Check for proper hose float placement. The float may be in the wrong position. See page 2.</p> <p>Check that the hose is long enough to reach the furthest point in the pool. See page 5.</p> <p>The return eyeball fittings may be pushing the cleaner hoses away. See page 5.</p>