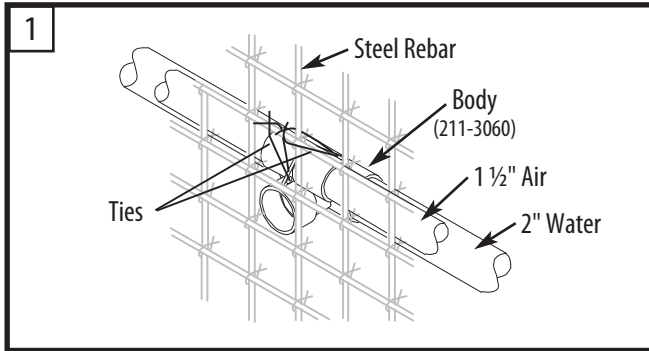


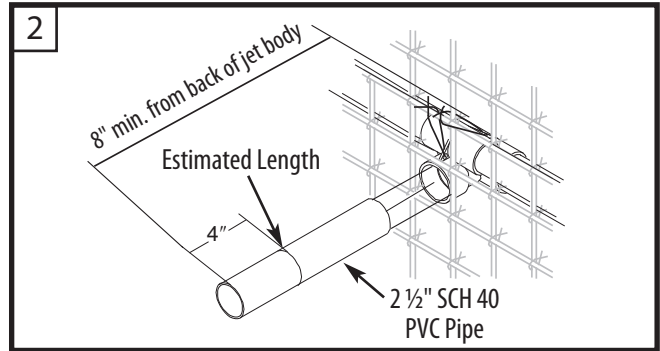


INSTALLATION INSTRUCTIONS

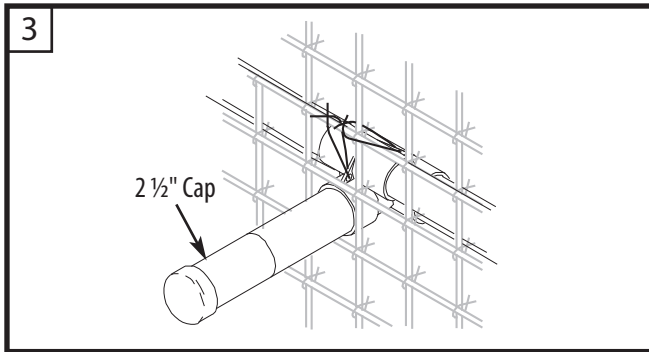
Power Gunite Jet



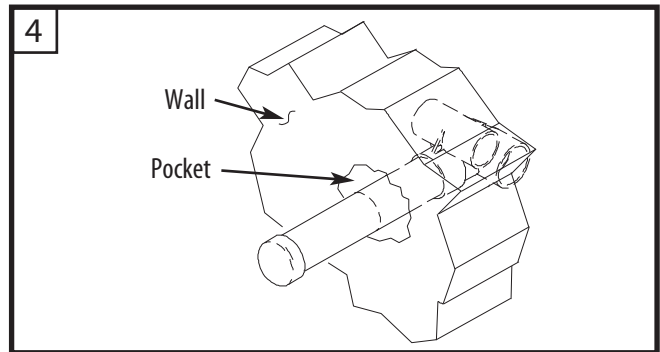
Hang Power Gunite Jet Body with ties through preset holes onto steel rebar. Make sure that the front of the jet body sits back at least 3 1/2" from finished wall.



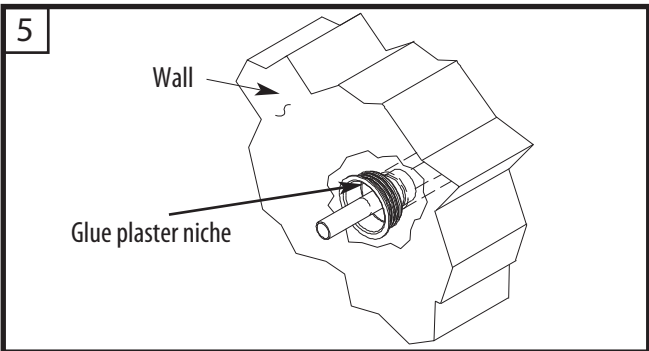
Cut 2 1/2" PVC pipe (*not included*) so that it will extend 4" past finished wall. Then glue 2 1/2" PVC pipe into jet body.



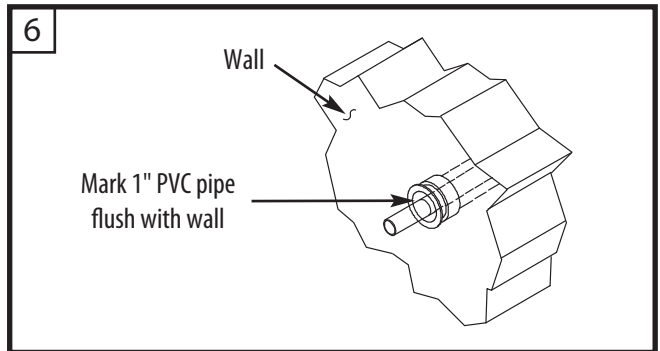
Glue 2 1/2" cap onto end of pipe for pressure test.



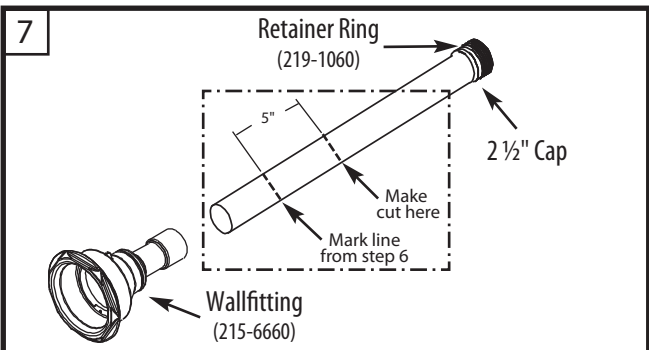
After guniting, cone back a 7" diameter pocket 4" deep.



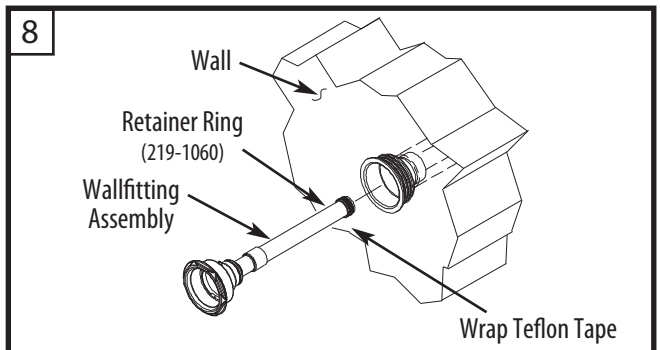
Before plastering, cut 2 1/2" diameter pipe back 2 1/2" from desired wall finish. Glue plaster niche in. Plaster flush to front of plaster niche.



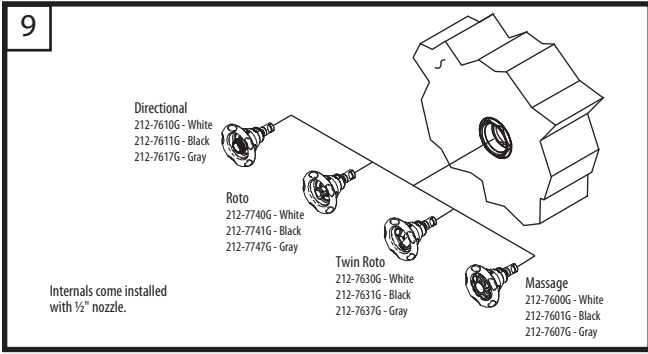
Glue threaded retainer ring onto 1" pipe (*not included*) and thread into jet body. Mark 1" pipe flush with wall.



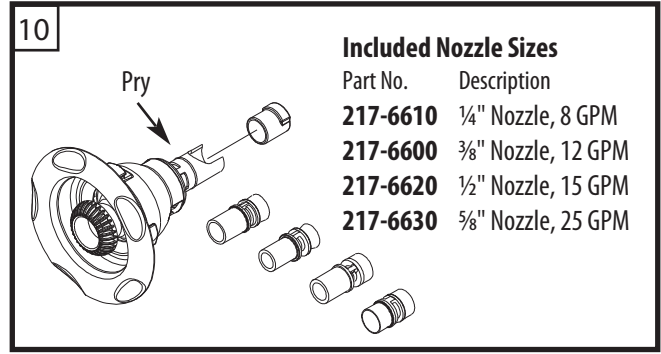
Unscrew 1" PVC Pipe from the body and cut 5" inward from the mark towards retainer ring, then glue wallfitting to 1" PVC pipe.



Wrap teflon tape onto the retainer ring and thread the 1" PVC pipe back into the body, making sure of a snug fit.



Install desired jet internal into wallfitting by pushing in and turning clockwise. Jets can be adjusted on by turning clockwise and off by turning counterclockwise. Jets do not shut off 100%.



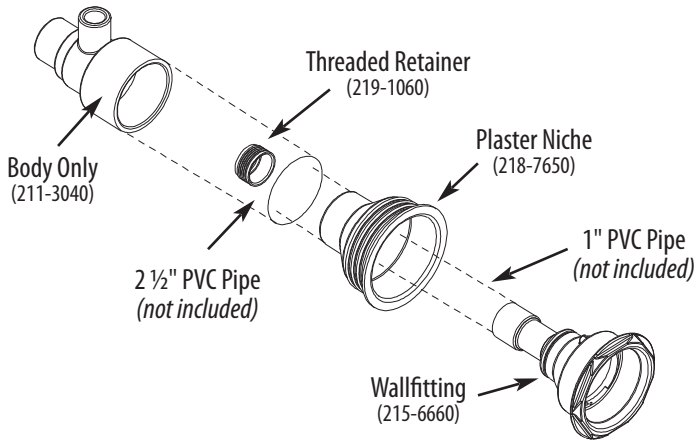
Instructions for alternate nozzle sizes:

1. Remove jet internal by turning counter-clockwise beyond the stopping point.
2. Pull diffuser off back of internal.
3. With flathead screwdriver, pry nozzle out through venturi hole.
4. Replace with desired nozzle.

POWER JET BODIES

POWER GUNITE STRAIGHT BODY ASSEMBLY

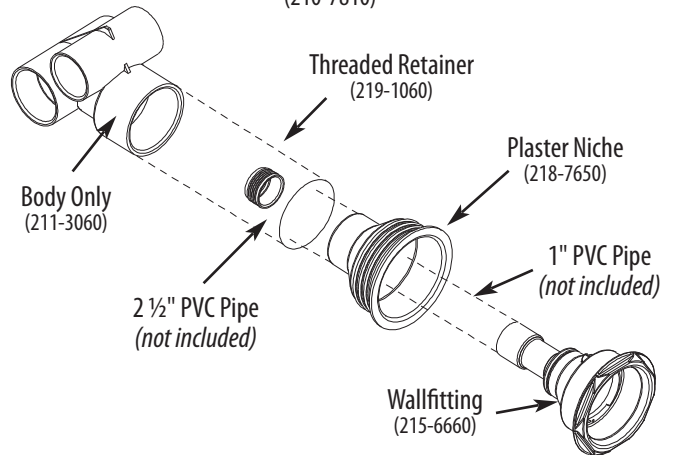
1" Spigot Air x 1 1/2" Spigot Water
(210-7800)



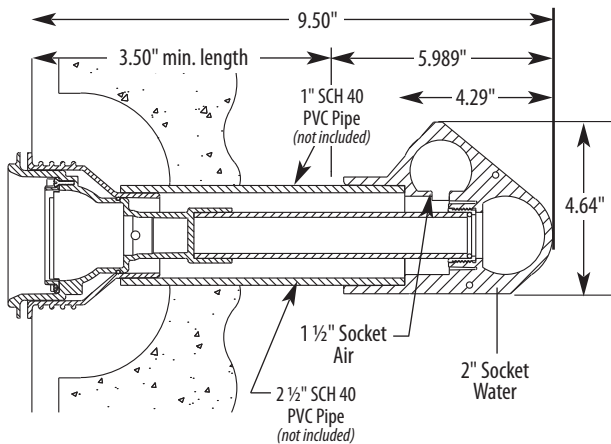
Niche included with Body Assembly

POWER GUNITE TEE BODY ASSEMBLY

1 1/2" S Air x 2" SWater
(210-7810)

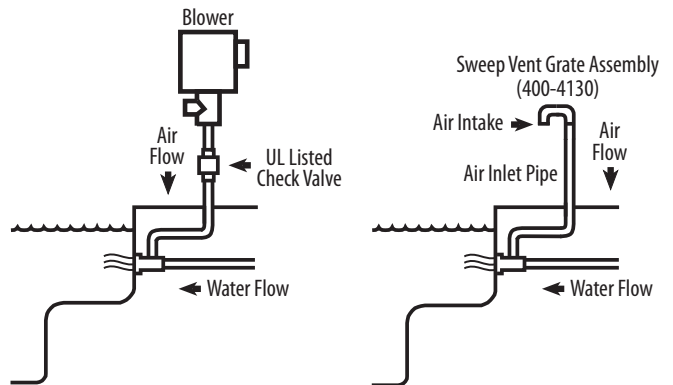


JET BODY CROSS-SECTIONAL DIAGRAM



To prevent personal injury, shock, or property/equipment damage, an Air Spring Check Valve (2" 600-8160, 1 1/2" 600-8140) must be installed on the blower stand pipe in case of a water backup in the air line.

Note: If a blower is not being used, please direct the air intake toward the ground using the 2" Sweep Vent Grate Assembly (400-4130) on the Air Inlet Pipe.



2200 East Sturgis Road, Oxnard, CA
Ph. (805) 981-0262 • Fax (805) 981-9403
www.waterwayplastics.com • waterway@waterwayplastics.com