



The Polaris MiniJet™ (#FFMJ) is designed to fit into a 3" x 3" tile space, mounted on the pool wall, raised beam or set into a deck.

The MiniJet for vinyl liner pools (#FFMJ-VL) is designed to mount in a vinyl liner pool wall at, or slightly above the water level. Its housing cover is available in 7 colors to match the most popular vinyl liners available. Each brass nozzle MiniJet adjusts to project a stream of water at a 45-degree angle of trajectory for a distance of up to 13 feet.



FEATURES

- Versatile, low cost water effect
- Easy to install
- Jet adjustable to 45-degree angle
- Low water flow requirement
- Easy access to jet for adjusting arc of water
- Jet is removable and replaceable
- Drain hole in housing cover eliminates standing water
- Mounting flange also acts as a water stop

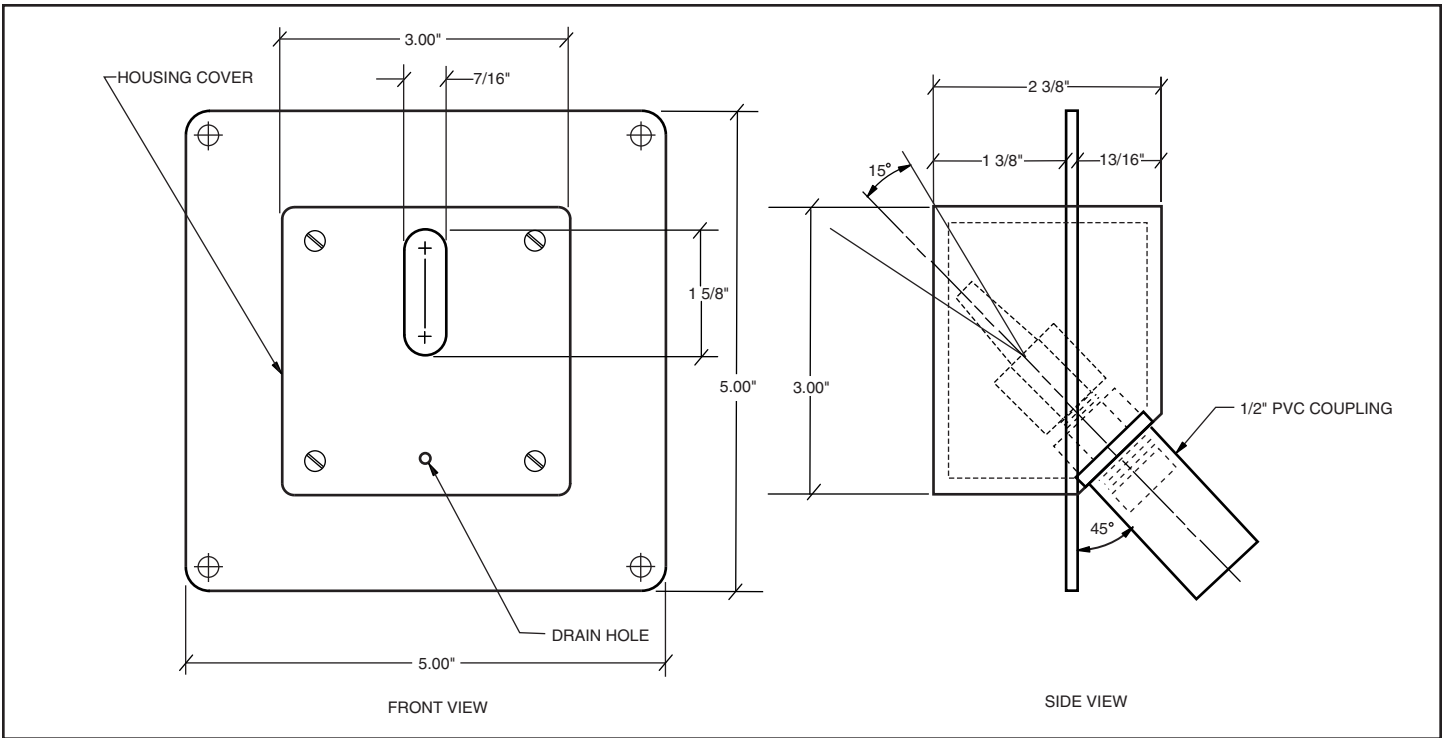


DESIGN IDEAS

- Brass nozzle projects a stream of water up to 13 ft. across a pool
- Set pairs of opposing water streams to form arches meeting in the center of a pool
- Create a blossom feature with multiple MiniJets adjusted to converge in a round spa
- Project water from a sculpted wall feature

MINIJET PERFORMANCE DATA				
Height of Jet Spray	3.3'	6.6'	9.8'	13.1'
Feet of Head	3.9	7.9	11.9	16.0
GPM	2.1	3.0	3.7	4.4

MiniJet for Gunite Pools, Wall or Deck Installation (FFMJ)



MiniJet for Vinyl Liner Pools Installation (FFMJ-VL)

