

PureLine

Replacement Aqua Rite Main PC Board



PL7100 (GLX-PCB-RITE)

SAVE THIS INSTRUCTION MANUAL

ATTENTION INSTALLER: This manual contains essential information about the installation, operation, and safe use of this Main PC Board. Please remember to furnish this manual and all other instructional documents to the end user of this product.

The PureLine PC Board is specifically engineered to work with specific models of the Hayward Aqua Rite Salt Systems. Verify if this board is compatible with your model before installing the product.

Failure to read and follow instructions can result in serious injury.

To prevent potential injury to self or product and to avoid unnecessary service calls, please read this manual carefully. Look for the following symbols and signal words and be alert to potential injury.



This is a safety-alert symbol. Whenever you see this symbol in this manual look for the following signal words to alert you to potential dangers.



DANGER - A licensed electrician **MUST** complete, in full, all electrical installation.

General Information

This manual contains essential information about the installation, operation, and safe use of the PureLine PC Board.

Failure to install according to the defined instructions can void your warranty.

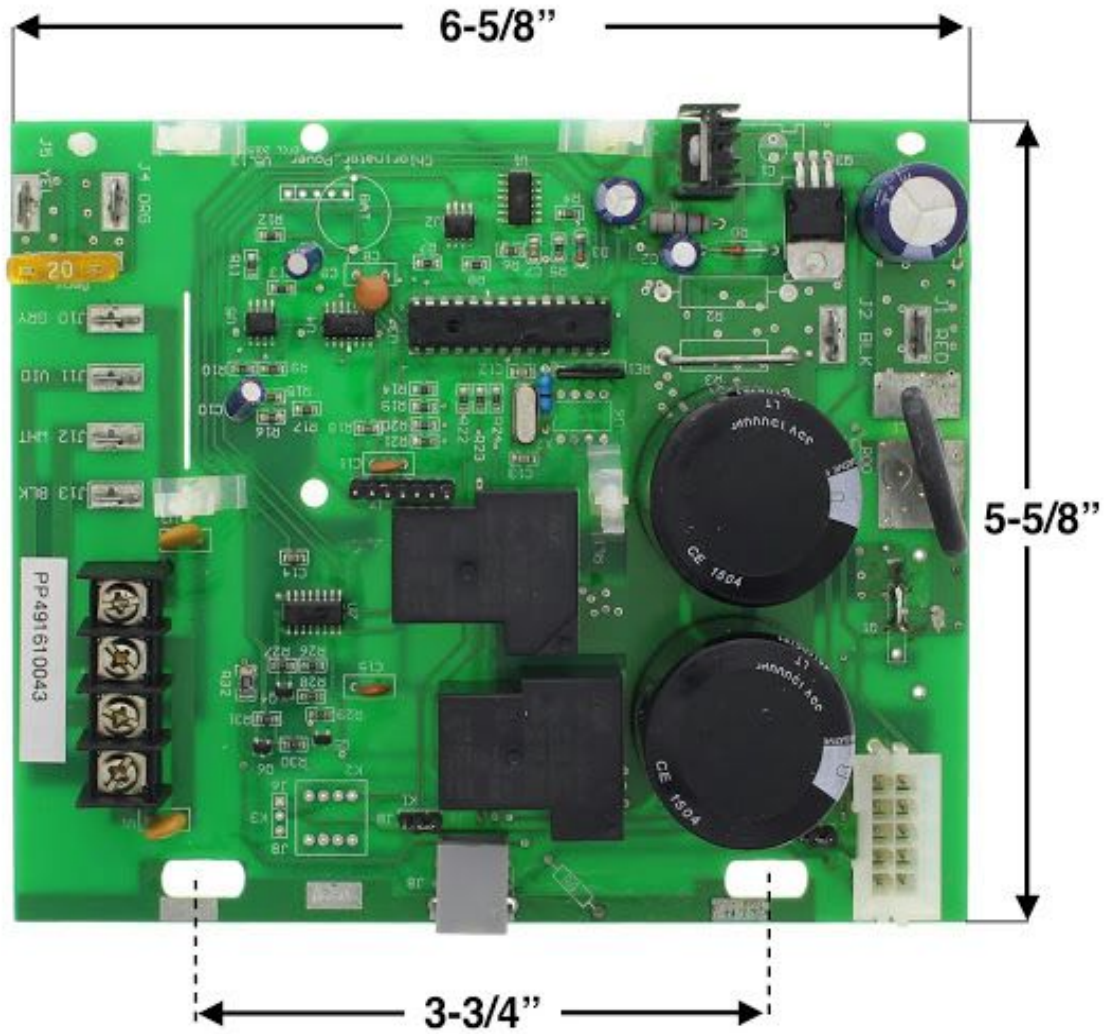
The PureLine PC Board is a replacement for your original Goldline Control Hayward Aqua Rite PC Board. It is compatible with most Aqua Rite control panels or models. Please refer to the compatibility section before performing the installation.

The main circuit board is the heart to your salt system. Without it, your system will no longer sanitize your pool effectively. In most cases, the Aqua Rite Main PC Board will fail due to an electrical surge, lightning, or a brownout..

Product Benefits

- Drop- in replacement for the original Hayward Aquarite PC Board
- Quick and easy installation
- Offers the majority of the same functions as original (Please refer to the compatibility section before performing installation)

Product Dimensions



Product Compatibility

- Hayward AquaRite
- Goldline Aquarite
- BioGuard Mineral Springs
- SwimPure Plus
- Replaces the Hayward GLX-PCB-RITE Main PC Board

Automatic Controls

The PureLine PC board will not link with any automatic control system your pool system may currently have.

Automation systems allows pool owners to control different pool features from any location. One of the most beneficial reasons pool owners decide to use an automatic control system is to control the timers to their pump, filter, and heaters. Such features help avoid plumbing meltdowns and ensures constant flow to your pool.

Some of the most popular automatic control systems include:

- Jandy Aqualink/ Jandy PureLink
- Hayward AquaLogic/ Hayward ProLogic
- Pentair Easy Touch

If you need full control to your automatic control system, we recommend you purchase the OEM Hayward Aqua Rite PC board.

Wiring and Installation



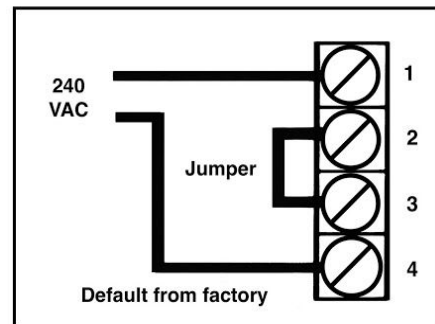
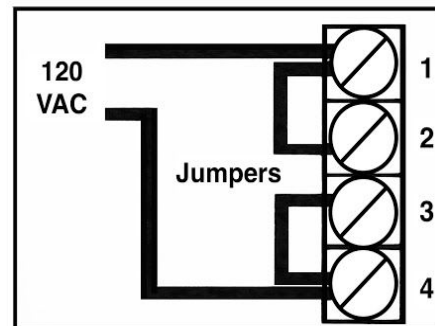
WARNING - TURN OFF POWER TO TIMER BOX FIRST. Failing to turn off power before removing your current board can result in electrocution or death.

Things You Will Need For Installation:

- Main Aqua Rite PC Board
- 5/16" socket

1. Make sure power is OFF.
2. Unplug the cell cord and the flow switch from the control box.
3. Using a 5/16" socket, remove the two screws that secure the cover panel to the Aqua Rite control box.
4. Pull the cover panel out of the Aqua Rite control box.
5. Pull the Display PC Board off of the Main PCB. The Display PC Board should lift right off the main PC Board easily.
6. Remove the power cables from the board.
7. Remove the gray, violet, white, blue, orange, and yellow cables from the Main PC Board.
We recommend using a pair of needle nose pliers.
8. Remove the red and black cables from the upper right corner of the control box.
9. There are two screws that hold the Main PC Board in place. Remove the two screws using a 5/16" socket.
10. Slide the old Main PC Board out of the control box.
11. Place the new PureLine Main PC Board (GLX-PCB-RITE) into the control box. (Angled white tabs at the bottom of the board)
12. Tighten the two screws at the board using the 5/16" socket.
13. Attach the red and black cables from the back terminal to the board.
14. Attach the gray, violet, white, BLACK, orange, and yellow cables to the board. The terminals on the board are labeled with a specific color. Each colored cable should be matched to the color indicated on the board. **NOTE: The BLACK cable attaches to the BLUE terminal.** That is the only difference in wire colors.
15. Connect the orange and yellow cables. (**Located in the upper left side, as opposed to the right side**)

16. Using the metal jumpers provided, finish wiring the board.
Please refer to the label on the inside door of the Aqua Rite control box or the picture to the right for the jumper locations. You can also verify what voltage you are using by looking at the jumper locations on your old board.
17. Press the Display Board back onto the new PureLine Main PC Board. Ensure the long pins from the Main PC Board match with the holes on the Display PC Board.
18. Place the control box cover back onto the box.
19. Tighten the two cover screws using the 5/16" socket.
20. Turn power ON at the circuit breaker. The POWER light and the display should light up if everything is operating correctly.



****IMPORTANT****

Salt Readings: Changing from the Metric System to Parts Per Million (PPM)

When you power on your system, you will need to change the calibration readings from the Metric system to read parts per million (PPM). Failure to do so can result in false salt readings.

1. Press the Diagnostic button five (5) times until you see "Instant Salt Reading"
2. Switch unit from AUTO to OFF
3. Switch unit from OFF to AUTO, then to SUPER CHLORINATE
4. Switch unit back to AUTO
5. Your display should now read the salt level in parts per million (PPM).

The salt level may need to be calibrated. Please refer to the Calibration section below.

Selecting Correct Cell Size

In order to attain accurate salt readings, please ensure that your new board is set to the correct cell size of your salt system.

1. Press the Diagnostic button eight (8) times until the cell size appears (T3, T5, T9, or T15)
2. Switch unit from AUTO to OFF

3. Switch unit from OFF to AUTO, then to SUPER CHLORINATE
4. Keep toggling between AUTO and SUPER CHLORINATE. Repeat this step until the correct cell size is displayed.

Recalibrating the Cell

Occasionally, the salt level on the Aqua Rite system may not match the actual salt level of the pool. If your salt cell is clean, but the reading is off, the Aqua Rite system may need to be recalibrated. The following steps will help calibrate your system.

1. Turn the system OFF, then to AUTO.
2. Push the Diagnostic button until 'Instant Salt' appears on the display. Wait until screen stabilizes before proceeding to the next step.
3. While showing 'Instant Salt' flip main toggle switch from AUTO to SUPER CHLORINATE, then back to AUTO.