

AUTOMATIC POOL FILLER INSTALLATION MANUAL

Model # T40-B

Installation Instructions

Prior to installation, check local building codes for exceptions to these instructions

1. Install leveler bucket so top of bucket is flush with bond beam of pool (See Fig. A). Ring and Lid then should be installed flush with deck. Use rebar mounting flanges provided on bucket to insure and aid in keeping bucket level during concrete pour.
2. Install 1 1/2" equalizer pipe. **IMPORTANT: Equalizer pipe must be straight, as shown in Figure A. The use of any 45° or 90° could cause air lock and void warranty. Use only PVC to ABS joint cement for this application.**
3. Connect 3/4" fresh water supply pipe to side leveler bucket. (See Fig. A).
4. You can pressure test auto-fill by plugging threaded hole where brass valve is to be installed with 3/8" standard threaded plug. **CAUTION: Do not over tighten.**
5. Remove test plug and flush supply line for approximately 60 seconds or until all debris has cleared.
6. Connect 3/4" overflow pipe in port (See Fig. A), using a PVC to ABS joint cement.
7. Install Brass Valve assembly with Teflon tape. **IMPORTANT: Do not use liquid or past sealers. Pentair Pool Products Inc, does not cover warranty. If damaged because of over tightening or cross threading.**
8. Adjust water level by loosening the wing screw on brass float arm and adjust up or down and tighten when water level is achieved.

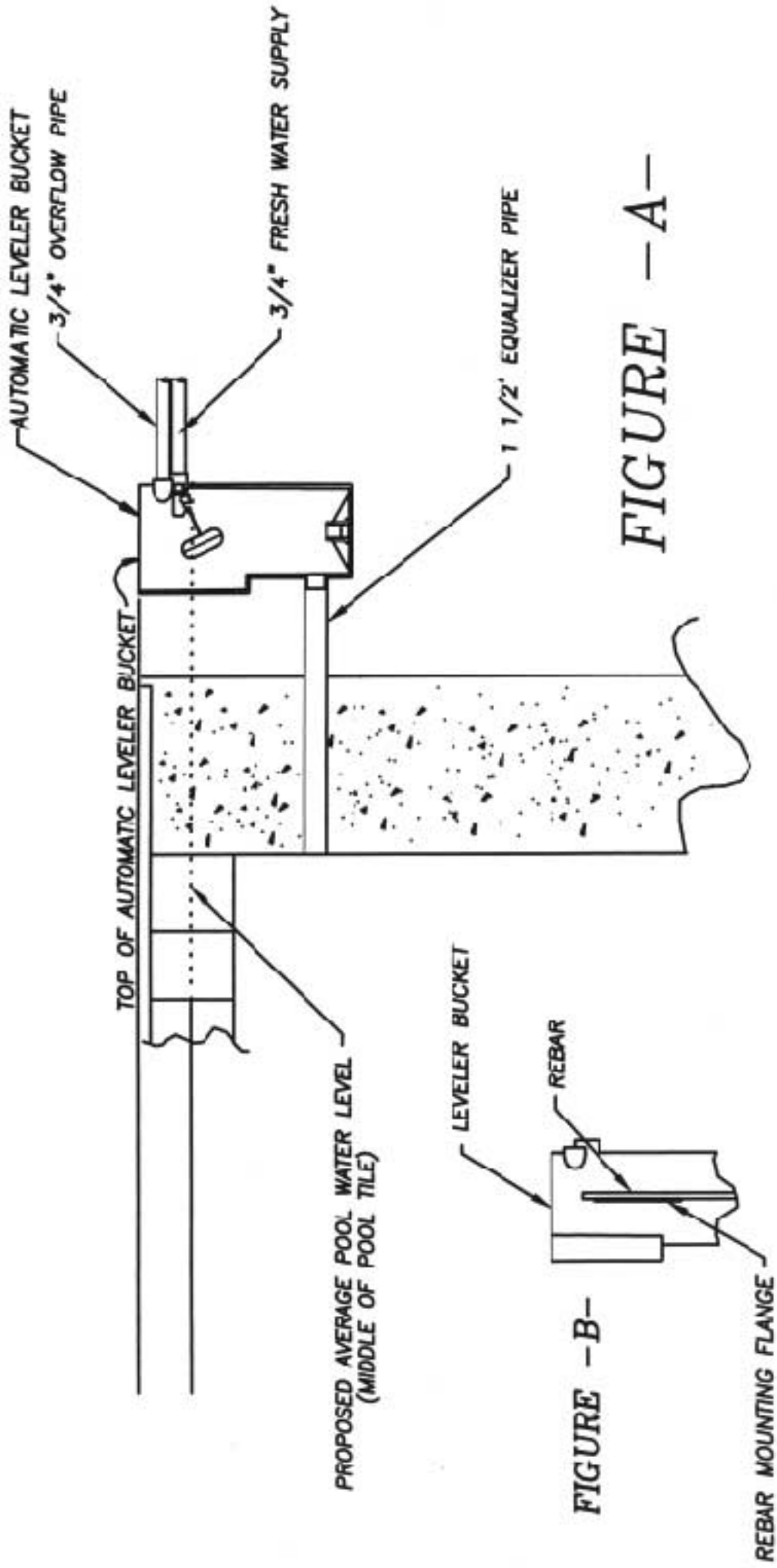


Because reliability matters most

www.pentairpool.com

AUTOMATIC POOL FILLER INSTALLATION GUIDES

Model # T40-B



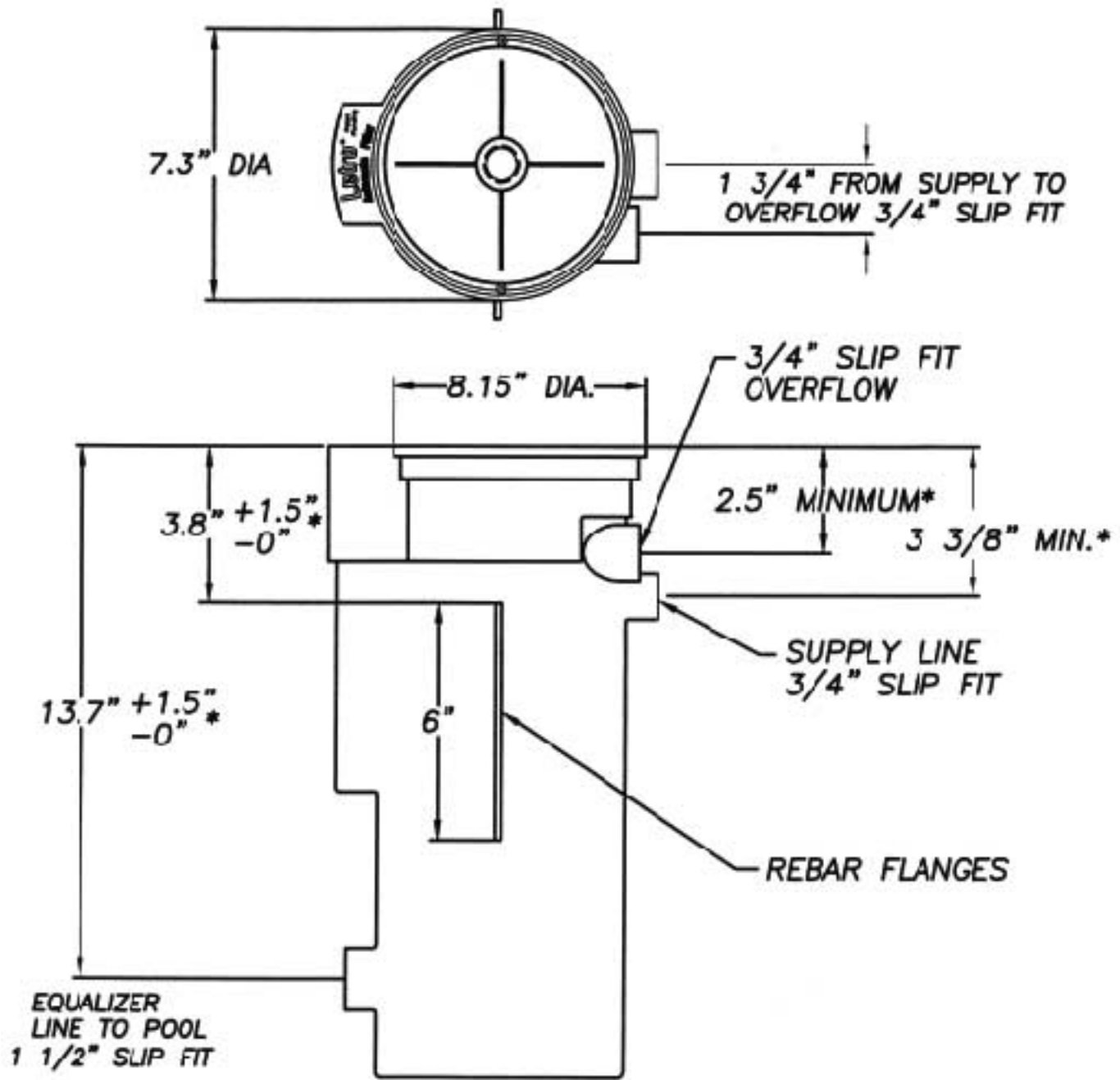


FIGURE -C-

*REFER TO FIGURE A OF INSTALLATION INSTRUCTIONS FOR HEIGHT OF DECK CONSIDERATIONS



*Because **reliability** matters most*

Pentair Pool Products, Inc.

800-831-7133