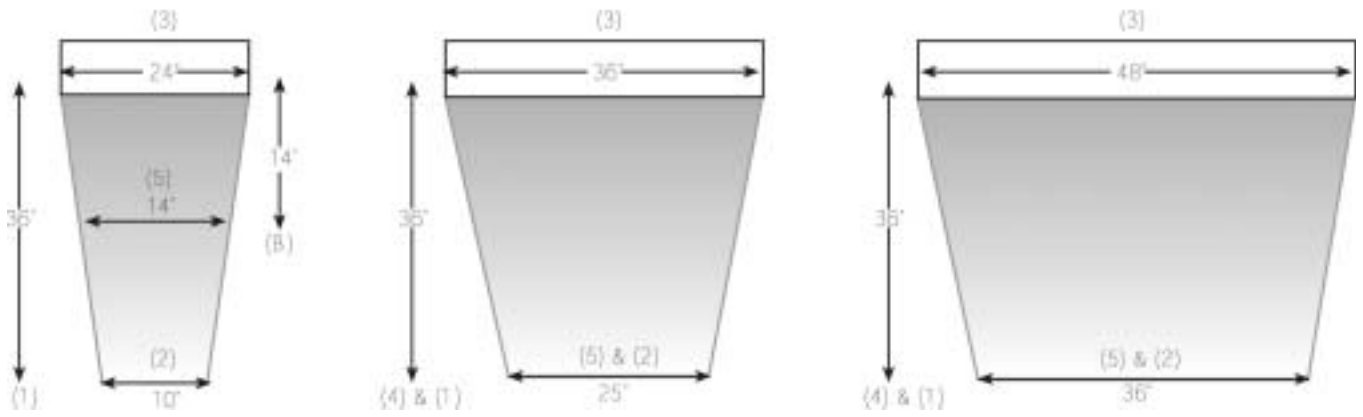
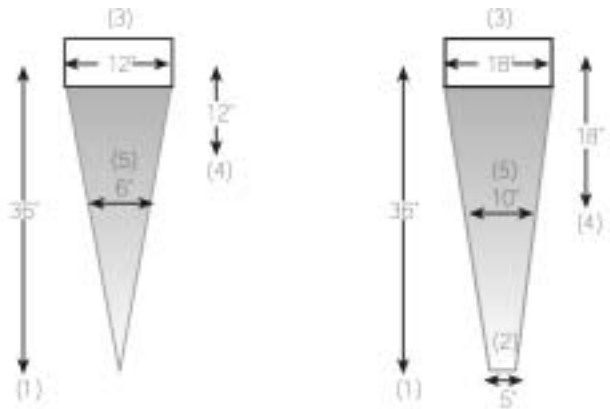


**DESIGN PREFACE**

Waterfalls naturally narrow as they fall. Oasis presents the following waterfall height specifications for this waterfall unit:

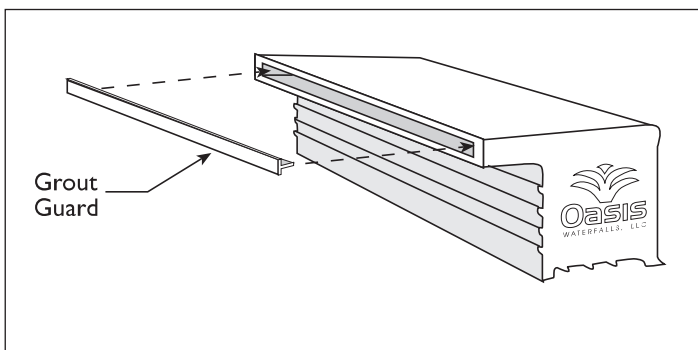
- 1) Maximum waterfall height.
- 2) Width of sheet of water at the maximum waterfall height.
- 3) Length of waterfall fixture.
- 4) Recommended waterfall height from lip of the fixture to the pool water surface.
- 5) Width of the sheet of water at the pool water surface (when installed at the recommended height mention in item B).



Thank you for purchasing an Oasis WaterFall. This manual will help you make a trouble free installation. Please follow the installation recommendations as outlined by the manufacturer. **Please read the entire manual to become familiar with the installation requirements before installing the Oasis WaterFall.**

Important! Do Not Remove the protective grout guard until the installation is complete (See figure 1).

Note: The waterfall must be installed prior to installation of the deck and coping. The tile installer generally installs the Oasis WaterFall unit.



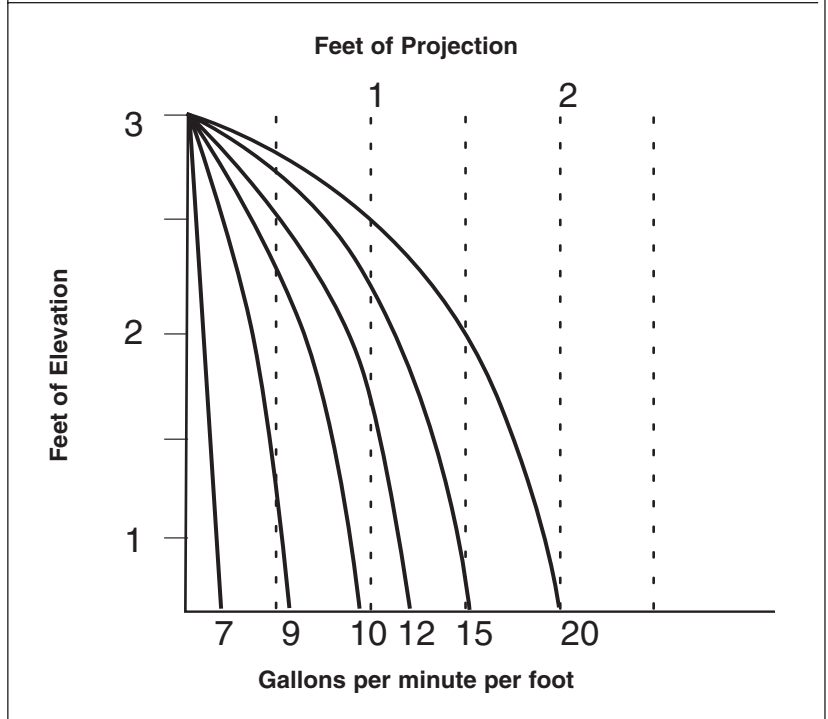
**HYDRAULIC GUIDELINE CHART**

- Use minimum of 1.5" pipe
  - Use minimum of 2" pipe for runs in excess of 60' or if waterfall is over 5'.
  - Dedicated plumbing lines are recommended
  - Maximum recommended flow for a typical installation:
- |           |     |         |
|-----------|-----|---------|
| 1.5" pipe | for | 60 GPM  |
| 2" pipe   | for | 100 GPM |
| 2.5" pipe | for | 140 GPM |
| 3" pipe   | for | 225 GPM |

**TYPICAL PUMP PERFORMANCE AT 50' OF HEAD**

|        |   |         |
|--------|---|---------|
| .5 HP  | = | 26 GPM  |
| .75 HP | = | 58 GPM  |
| 1 HP   | = | 68 GPM  |
| 1.5 HP | = | 93 GPM  |
| 2 HP   | = | 106 GPM |
| 3 HP   | = | 140 GPM |

**WATER FLOW REQUIREMENT CHART FOR 1' TO 4' MODELS**



**THE OASIS RAINFOREST FALL™**

- The installation is the same as the Original Oasis Fall™, see installation manual in the box.
- Make sure pipes are clean before start-up.
- The unit should be installed in line with pool filter to keep debris from entering the waterfall.
- Do not exceed 5 gallons per minutes per linear foot of rainfall.
- Excessive pressure may damage the unit.
- A ball valve should be installed on each waterfall to control flow.
- To reduce the risk of damage, close ball valve before start-up and open gradually until the desired rain effect is achieved.

**STEP I**

1. Make sure the pump system is fully functional and active.
2. Make sure all air is purged from the line.

**PROBLEM**

**CAUSE**

**SOLUTION**

The flow is not smooth  
Gap in the flow

Debris in the opening

Use a thin object to remove the debris by sliding the object along the opening.

Uneven flow between  
(multiple waterfall installation)

Improper flow balance

Adjust the valves for each unit waterfalls until the desired effect is achieved.

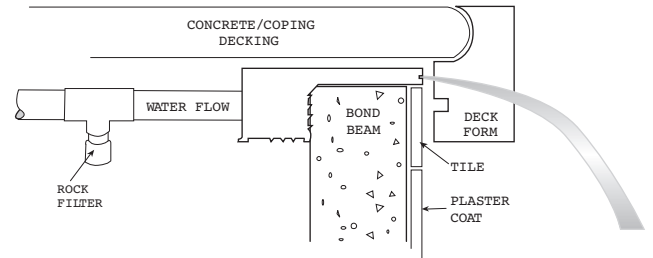
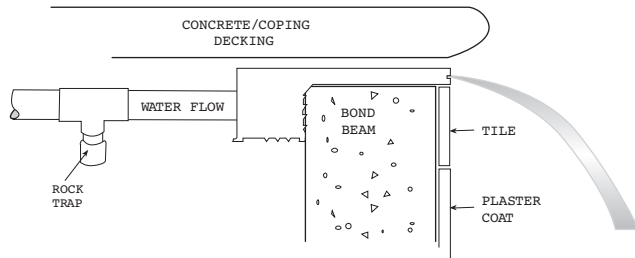
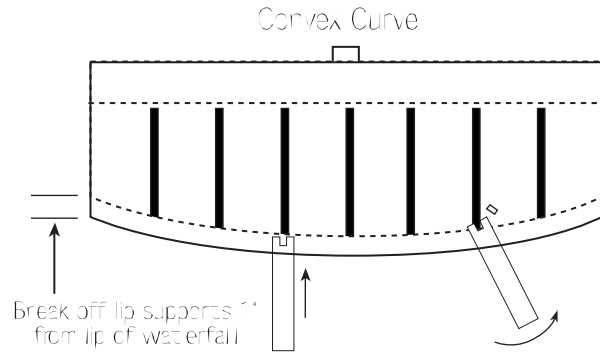
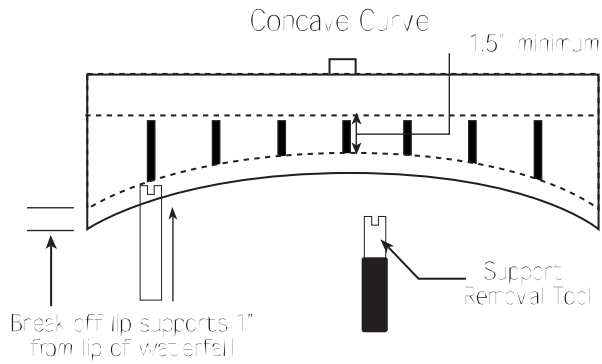
**STEP I.****Notching the Bond Beam**

1. Mark the area prior to excavation with stakes and construction ribbon.
2. Prior to steel installation, mark the exact area for the waterfall.
3. Allow 1 inch on each side and 3.5" below the form for the WaterFall (Example: for a 12" waterfall, offset the steel pattern to allow for an additional 1" space on each side of the waterfall. For a 12" waterfall: 1"+1"+12" = 14").
4. Measure 3.5" down from the top of the frame.
5. Offset the steel rebar to allow for the cut in the bond beam.
6. Mark a channel for plumbing the waterfall. For single inlet waterfalls the channel is at the center of the notch. Longer waterfalls require more water and thus more inlets. For a 6' to 8' waterfalls, position the waterfall over the bond beam and mark the locations of the inlets.
7. Make sure the cuts in the Bond Beam are positioned correctly before proceeding.

**STEP II.****Installing the Waterfall Unit**

**Note:** The top of the Oasis Fall is where the throat and lip are.

1. Glue and connect a length of 1.5" diameter schedule 40 PVC piping approximately 12" long (or to extend beyond the back of the bond beam) into the back of the waterfall. This step will allow you to complete the mortar set and complete the plumbing later. (Refer to STEP III-Plumbing before proceeding)
2. Place the Oasis Fall in the pre-cut notch in the bond beam.
3. Level the top of the Oasis Water Fall to the upper edge of the bond beam with tile shims, fill the area below and in back of the unit with concrete brown coat or similar material.
4. To insure that the waterfall stays in level position until the concrete is dry. Cover the finished setting with 1/2" or 3/4" plywood. Place bricks or a cinder block on top of the plywood so the weight is evenly distributed over the waterfall and the bond beam. Check with a level.  
Note: This procedure must be always be followed for all installations. Unleveled installation will produce an uneven water flow.
6. When the concrete is dry remove the plywood cover. Before plastering make sure the protective grout guard is in place. Cut the tile to fit under the lip of the spillway and secure with thin set or a similar compound. Be sure the finished wall surface is flush with the waterfall lip edge (see Figure 3A).

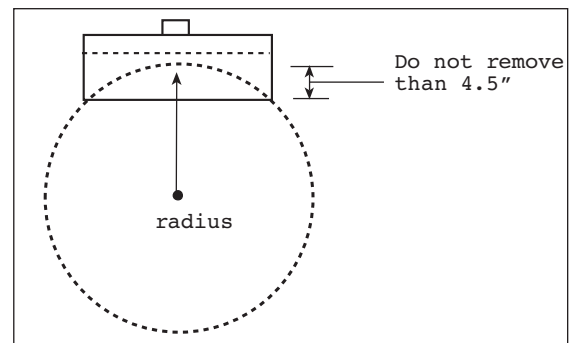


WATERFALL RADIUS CUT GUIDE FOR PVC

**50** **Note:** Never remove more than 4.5" of the extended lip, leaving a minimum of 1.5" of lip. The top of the beam, where the Oasis Fall unit is to be installed should be a minimum of 9" thick.

When designing custom curves for the Oasis Falls Extended Lip models, please refer to the following Minimum Radius Table to select the correct Oasis Falls model. Some models accommodate very tight radius curves and are available by special order.

| MINIMUM RADIUS PER WATERFALL LENGTH |               |
|-------------------------------------|---------------|
| 1' long fall                        | = 1' and up   |
| 1.5' long fall                      | = 1.5' and up |
| 2' long fall                        | = 2' and up   |
| 3' long fall                        | = 3' and up   |
| 4' long fall                        | = 4' and up   |
| 5' long fall                        | = 5' and up   |
| 6' long fall                        | = 6' and up   |
| 7' long fall                        | = 7' and up   |
| 8' long fall                        | = 8' and up   |



# RADIUS ORDER FORM

Date: \_\_\_\_\_

Company Name: \_\_\_\_\_

Contact Name: \_\_\_\_\_

Telephone: \_\_\_\_\_ Fax: \_\_\_\_\_

Address: \_\_\_\_\_

Distributor: \_\_\_\_\_ Branch: \_\_\_\_\_

Purchase Order Number: \_\_\_\_\_ Purchaser: \_\_\_\_\_

Concave Radius      Convex Radius

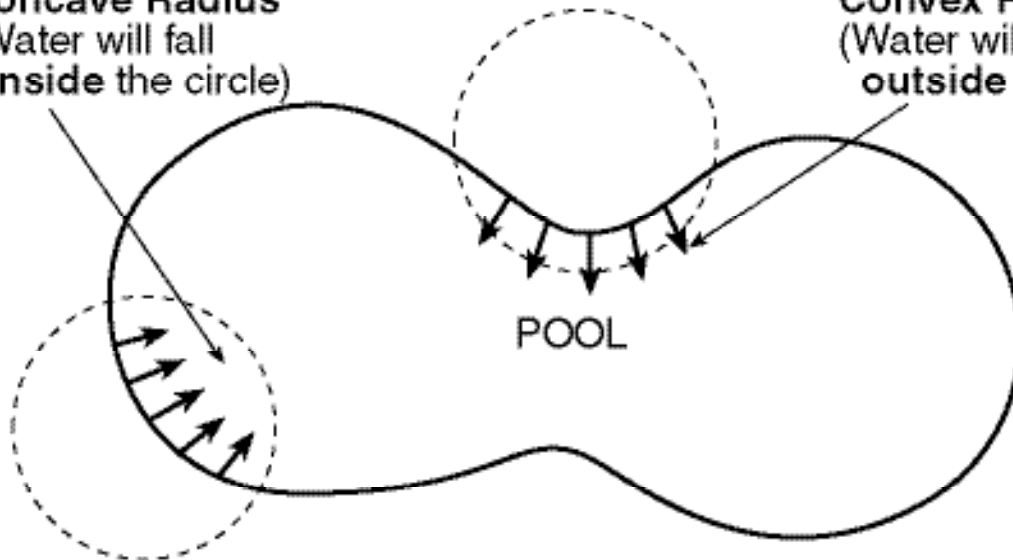
CIRCLE THE CORRECT RADIUS ON THE ILLUSTRATION BELOW

Size of Radius: \_\_\_\_\_ Template Provided

Length of Oasis Fall: \_\_\_\_\_

**Concave Radius**  
(Water will fall  
inside the circle)

**Convex Radius**  
(Water will fall  
outside the circle)



Please fax to: 407-857-0050 together with your purchase order