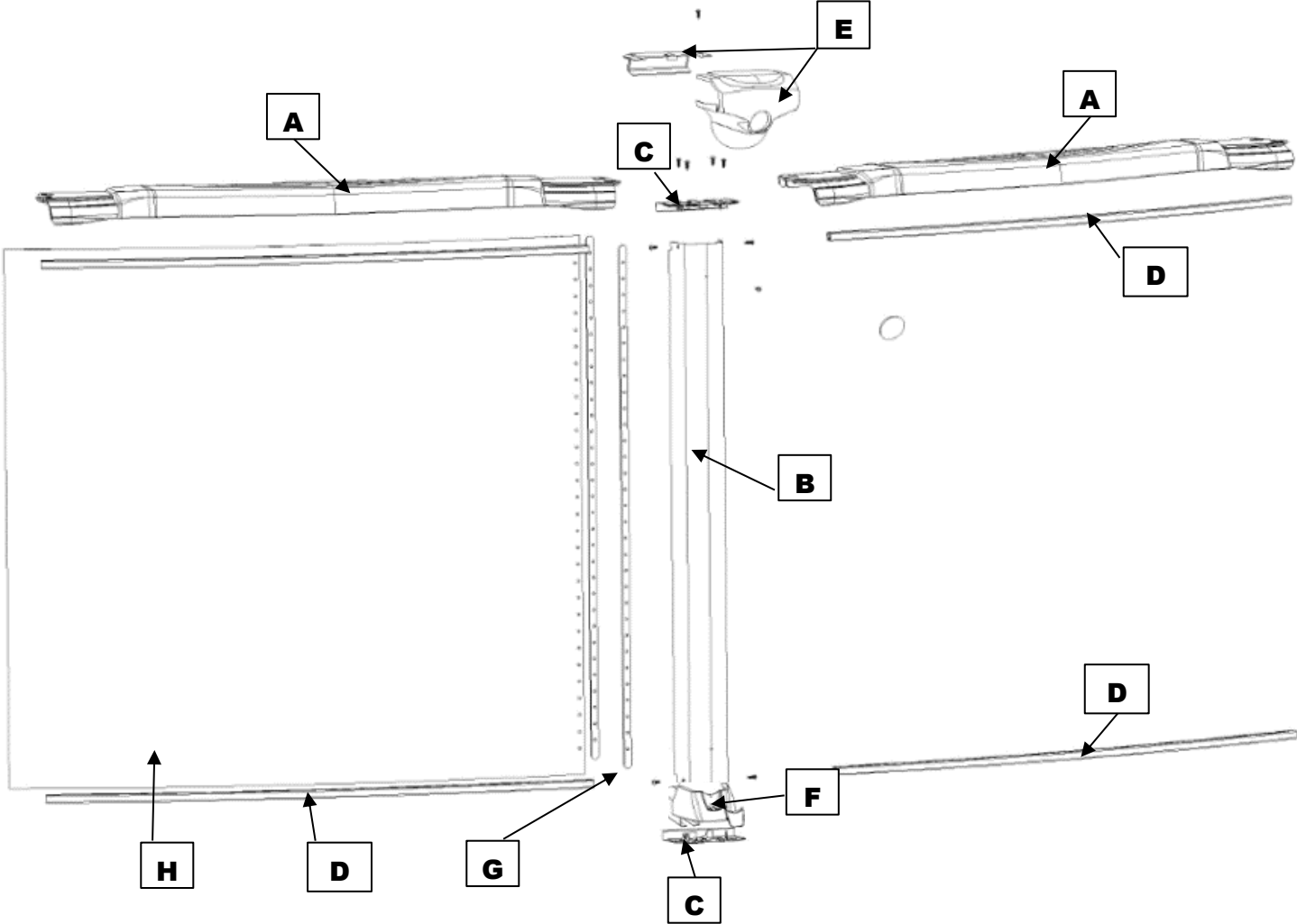


Magnus RTR
PZEN-54RSRSRB11
Round



Product Description :

Magnus Round

Revised Sept 2017

Product Code :

PZEN-54RSRSRSB11

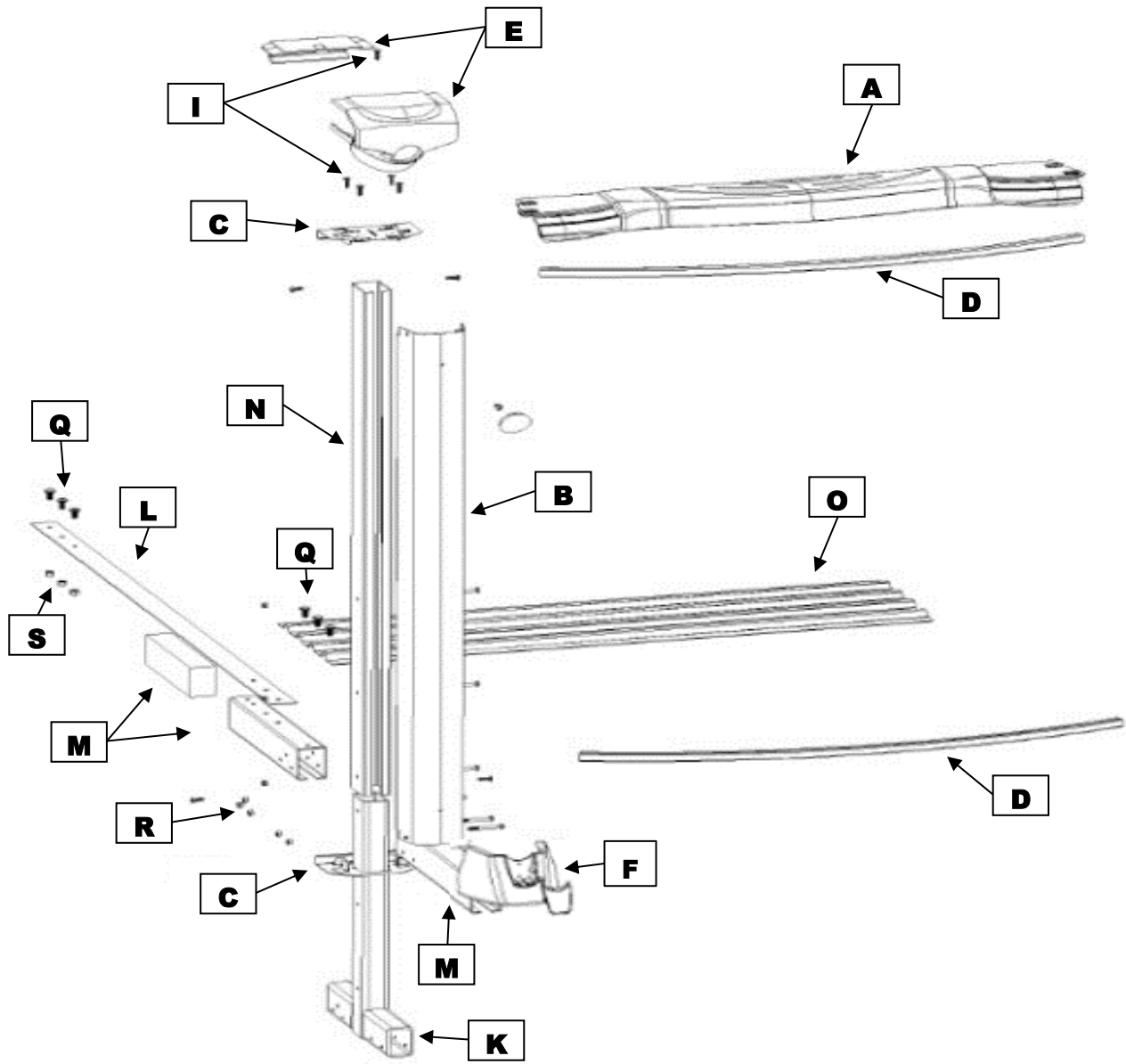
				Quantity required for installation (by pool size)								
Index#	Description	Part #	Length	12	15	18	21	24	27	30	33	
A	Top ledge	AR744-001-R		8	10	12	14	16	18	20	22	
B	Upright	ART811-R12954M	53,750"	8	10	12	14	16	18	20	22	
C	Top plate	21120A		8	10	12	14	16	18	20	22	
C	Bottom plate	CG21120B		8	10	12	14	16	18	20	22	
D	Stabilizer	LA1255612	55,750"	8								
D	Stabilizer	LA1255615	55,088"		10							
D	Stabilizer	LA1255618	55,088"			12						
D	Stabilizer	LA1255621	55,750"				14					
D	Stabilizer	LA1255624	56,130"					16				
D	Stabilizer	LA1255627	55,069"						18			
D	Stabilizer	LA1255630	56,000"							20	22	
D	Bottom rail	1525515	55,250"	8	10	12						
D	Bottom rail	1525524	55,250"				14	16	18			
D	Bottom rail	1525530	55,25							20	22	
E	Ledge cover	AR211-23120ABC		8	10	12	14	16	18	20	22	
F	Foot cover	AR711-23300AC		8	10	12	14	16	18	20	22	
G	Steel bars	11825	54,000"	2	2	2	2	2	2	2	2	
H	Wall			1	1	1	1	1	1	1	1	
I	Screw 12x3/4	V12x34		58	74	86	98	113	129	140	156	
J	Screw 12x1-1/4S	VHL12X114S		35	42	53	63	70	74	84	88	
*	Hardware bag/pool	SACV12X34-58		1							1	
*	Hardware bag/pool	SACV12X34-66								1		
*	Hardware bag/pool	SACV12X34-74			1					1		
*	Hardware bag/pool	SACV12X34-86				1						
*	Hardware bag/pool	SACV12X34-98					1				1	
*	Hardware bag/pool	SACV12X34-113						1				
*	Hardware bag/pool	SACV12X34-129							1			
**	Hardware bag/wall	1050000054		1	1	1	1	1	1	1	1	
***	Hardware bag/pool	SACVHL12114-35		1				2			1	
***	Hardware bag/pool	SACVHL12114-42			1							
***	Hardware bag/pool	SACVHL12114-53				1					1	
***	Hardware bag/pool	SACVHL12114-63					1					
***	Hardware bag/pool	SACVHL12114-74							1			
***	Hardware bag/pool	SACVHL12114-84								1		
	Thrus phill 18-8 bolts 18-8 1/4-0x3/4	99-0023		31	31	31	31	31	31	31	31	
	Flange nuts S/S 1/4-20 Serrated	2FGS422		31	31	31	31	31	31	31	31	
	Instruction DVD	SACWBI36876		1	1	1	1	1	1	1	1	

* In the hardware bag/pool you will find parts: #V12x34

** In the hardware bag/wall you will find parts: #99-0023 - #2FGS422

*** In the hardware bag/pool you will find parts: #VHL12114S

Magnus RTR
PZEN-YE54RSRSRB11
Yard Extender
Oval



Product Description :				Magnus Oval				Revised Sept 2017
Product Code :				PZEN-YE54RSRSRSB11				
				Quantity required for installation (by pool size)				
Index#	Description	Part #	Length	1223	1526	1530	1833	PRICING
A	Top ledge (round sections)	AR744-001-R		8	10	10	12	
A	Top ledge (straight sections)	AR744-001-45	45,000'	6	6	8	8	
B	Upright	ART811-R12954M	53,750"	14	16	18	20	
C	Top plate	21120A		14	16	18	20	
C	Bottom plate	CG21120B		14	16	18	20	
D	Bottom rail 42" (straight sections)	1514215	42,000"	6	6	8	8	
D	Bottom rail (round sections)	1525515	55,250"	4	6	6	8	
D	Bottom rail Transition	1325315	54 1/8"	4	4	4	4	
D	Stabilizer 38" (straight sections)	LA1254138	38,000"	6	6	8	8	
D	Stabilizer 12D (straight sections)	LA1254412	54,250"	4				
D	Stabilizer 15D (straight sections)	LA1255415	53,320"		4	4		
D	Stabilizer 18D (straight sections)	LA1255418	54,320"				4	
D	Stabilizer 12D (round sections)	LA1255612	55,750"	4				
D	Stabilizer 15D (round sections)	LA1255615	55,088"		6	6		
D	Stabilizer 18D (round sections)	LA1255618	55,088"				8	
E	Ledge cover	AR211-23120ABC		14	16	18	20	
F	Foot cover	AR711-23300AC		14	16	18	20	
G	Steel bars	11825	54,000"	2	2	2	2	
H	Wall			1	1	1	1	
I	Screw 12x3/4	V12x34		98	113	129	140	

Product Description : Magnus Oval				Revised Sept 2017				
Product Code : PZEN-YE54RSRSRSB11								
				Quantity required for installation (by pool size)				
Index#	Description	Part #	Length	1223	1526	1530	1833	PRICING
J	Screw 12x1-1/4S	VHL12X114S		63	74	74	84	
K	T unit	20801		8	8	10	10	
L	Steel strap 60"	20560	59,750"	8	12	15	15	
L	Steel strap 26"	20526	26,000"	4			10	
M	Horizontal sleeve with pen	20810	17,000"	8	8	10	10	
M	Extruded polystyrene piece	1000100		8	8	10	10	
M	Horizontal sleeve without pen	20802	17,000"	8	8	10	10	
N	Vertical sleeve	20509	52,875"	8	8	10	10	
O	Brace plate	20809	47,000"	6	6	8	8	
P	Bolt hex 1/4"-20 X 2 1/2"	B14x20x212		66	66	82	82	
Q	Bolt 3/8"-16 X 3/4"	B38x16x34		50	50	62	62	
R	Nut 1/4"-20	N14x20		66	66	82	82	
S	Nut 3/8" X 16	N38x16S		26	26	32	32	
*	Hardware bag/pool	SACV12X34-66					1	
*	Hardware bag/pool	SACV12X34-98		1				
*	Hardware bag/pool	SACV12X34-113			1			
*	Hardware bag/pool	SACV12X34-129				1		
*	Hardware bag/pool	SACV12X34-74					1	
**	Hardware bag/wall	1050000054		1	1	1	1	
***	Hardware bag/pool	SACVHL12114-63		1				
***	Hardware bag/pool	SACVHL12114-74			1	1		
***	Hardware bag/pool	SACVHL12114-84					1	
****	Hardware bag/braceless	SACSJF-6				1	1	
****	Hardware bag/braceless	SACSJF-4		2	2	1	1	
	Wall Channel (20)	SAC12539-20					1	
	Thruss phill 18-8 bolts 18-8 1/4-0x3/4	99-0023		31	31	31	31	
	Flange nuts S/S 1/4-20 Serrated	2FGS422		31	31	31	31	
	Instruction DVD	SACWBI36876		1	1	1	1	

* In the hardware bag/pool you will find parts: #V12x34

** In the hardware bag/wall you will find parts: #99-0023 - 2FGS422

*** In the hardware bag/pool you will find parts: #VHL12114S

**** In the hardware bag/braceless you will find parts: #B14x20x212 - #B38x16x34 - #N14x20 - #N38x16S