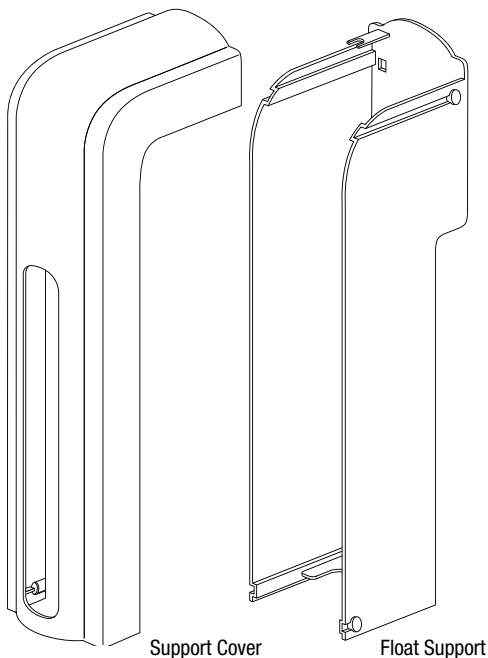
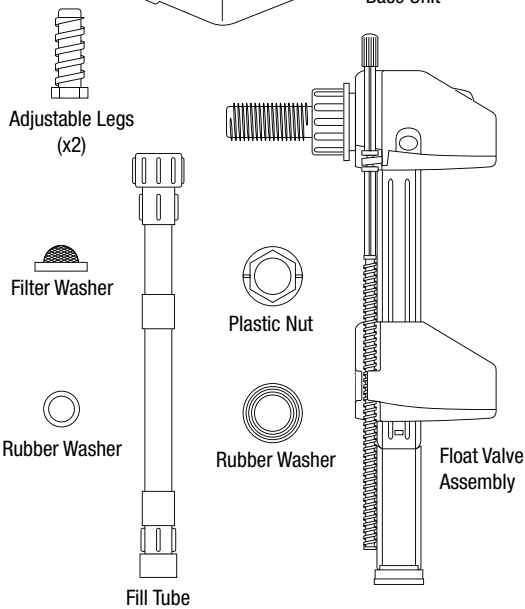
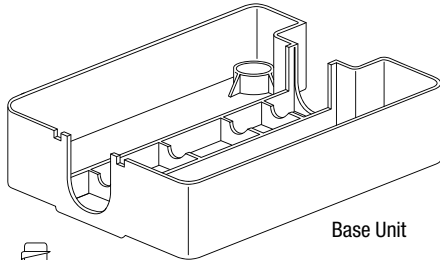
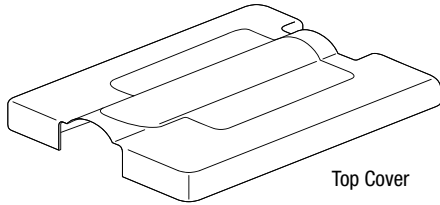


NEW PRODUCT LIMITED 12 MONTH WARRANTY

ROLA-CHEM CORPORATION • PARADISE INDUSTRIES, as manufacturer, warrants each The Pool Sentry™ unit delivered to the original consumer/purchaser to be free from defects in material and workmanship under the intended normal use as described in The Pool Sentry™ unit assembly and operating instructions enclosed with each unit, for a period of one year from the date of purchase.

During the warranty period ROLA-CHEM CORPORATION • PARADISE INDUSTRIES agrees to repair or, at its own option, replace the unit or any part of it without charge for labor or parts. **This warranty shall not apply if the unit is subjected to misuse, neglect or accident. DO NOT RETURN THIS PRODUCT TO STORE.** For warranty claims please call Rola-Chem Corporation • Paradise Industries at (800) 549-4473. Ask for the customer service department.



M3000 POOL SENTRY PARTS LIST:

Part Number	Part Description
503010	Top Cover with Decal Cubierta superior con Calcomanía La première Couverture avec la Décalcomanie
503011	Base Unit Unidad despreciable Unité ignoble
503012	Float Valve Assembly Flote la Asamblea de Válvula Flotter l'Assemblée de Soupape
503013	Tube & Coupling El tubo & Emparejándose Le tube & Couplant
503014	Filter Washer Filtre Arandela Filtre la Rondelle
503020	Small Rubber Washer Pequeña Arandela de Caucho La petite Rondelle de Caoutchouc
503015	Rubber Washer Arandela de caucho Rondelle de caoutchouc
503016	Plastic Nut Tuerca plástica Ecrou en plastique
503017	Adjustable Legs w/Rubber Pad Almohadilla ajustable de W/caucho de Piernas Le Coussin ajustables de w/caoutchouc de Jambes
503018	Support Cover Apoye Cobertura Soutenir la Couverture
503019	Float Support Flote Apoyo Flotter le Soutien