

Polaris® SOL/EOS® Conversion to Jandy® PDA or AquaLink® RS Installation Kit

WARNING

FOR YOUR SAFETY: This product must be installed and serviced by a professional pool/spa service technician. The procedures in this instruction sheet must be followed exactly. Ensure that all electrical power to the system is turned off before approaching, inspecting or troubleshooting any leaking valves that may have caused other electrical devices in the surrounding area to get wet. Failure to do so could result in an electrical hazard which could result in death or serious injury due to electrical shock, and may also cause damage to property. Improper installation and/or operation will void the warranty.

These instructions are to be used with the following Jandy Installation Kits:

PDA CONVPP8 -- EOS/SOL to PDA Pool or Spa 8, Conversion Kit
PDA CONVPPS8 -- EOS/SOL to PDA Pool and Spa 8, Conversion Kit
RSCONVP26 -- EOS/SOL to RS Dual Equipment 2/6, Conversion Kit
RSCONVPPS16 -- EOS/SOL to RS Pool and Spa 16, Conversion Kit
RSCONVPP16 -- EOS/SOL to RS Pool or Spa 16, Conversion Kit

WARNING

If the information in these instructions is not followed exactly, an electrical fire or shock hazard may result causing property damage, personal injury or death.

1. Introduction

This document gives instructions for converting a Polaris SOL/EOS to Jandy AquaLink RS or PDA wireless systems.

The installation kit contains all parts required to modify an EOS power center and a small or large SOL power center. Before starting this procedure, refer to Figures 2, 3, and 4 to identify which parts go with the Polaris model being modified.

For technical assistance, please contact our Technical Service Department at (800) 822-7933.

These instructions must be followed exactly. Read through the instructions completely before starting the procedure. Please save these instructions.

2. Modification of the existing Power Center

WARNING

Risk of Electric Shock which can result In Serious Injury or Death. Before attempting installation or service, ensure that all power to the circuit supplying power to the system is disconnected or turned off at the circuit breaker. All wiring must be done in accordance with the National Electrical Code (NEC), NFPA-70.

In Canada, the Canadian Electrical Code (CEC), CSA C22.1, must be followed. All applicable local installation codes and regulations must be followed.

1. Turn off all power to the power center.
2. Remove the screws that secure the front panel. Remove the front panel.
3. Note all the relay connections for future reference. Unplug all relay connections from the Polaris control board.
4. Remove the Polaris control board panel and disconnect the power connection from the back of the control board.

3. Installation of the new Jandy PCB

1. Remove all components from the conversion box.
2. Place the door decal (wiring diagram), included in the box, over the existing door decal.
3. Secure the Jandy PCB to the small control panel provided with the kit.
4. Connect the power adapter wires, included in the kit, to the Polaris® power center transformer, then plug the adapter into the Jandy PCB.
5. Ground the power adapter green ground wire to the power center can as shown in Figure 1.
6. Secure the small control panel with the Jandy PCB to the Polaris power center. See Figures 2, 3, and 4.
7. Connect the wires from the relays to the Jandy PCB per your notes.
8. If applicable, rewire the red 4-pin terminal bar to the same four (4) wires that were used to wire the wireless indoor controller.
9. If applicable, follow the wiring diagram to wire the wireless indoor controller, heater, water temperature, air and solar sensors.

NOTE The EOS® shortcut remote is not compatible with the AquaLink® RS or PDA and should not be connected.

NOTE For conversion kits RSCONVPPS16 and RSCONVPP16, install the Auxiliary PCB into the auxiliary power center in the same way as the main PCB is installed in the main power center.

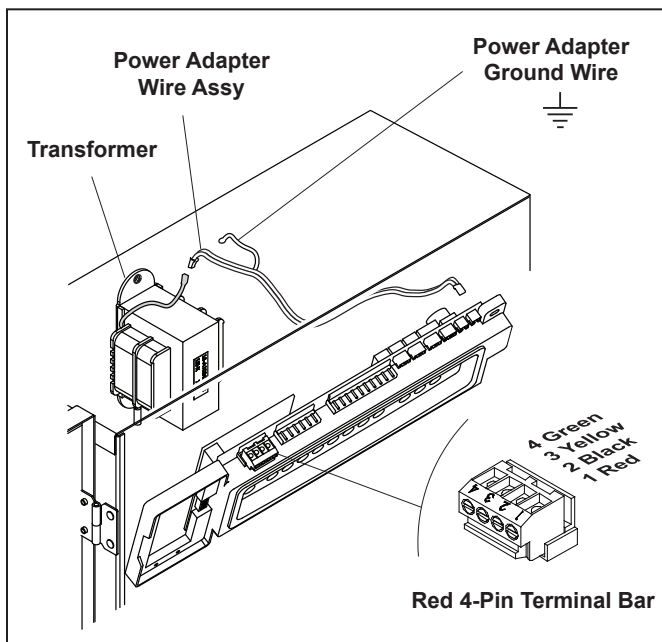


Figure 1. Installation of the Jandy PCB

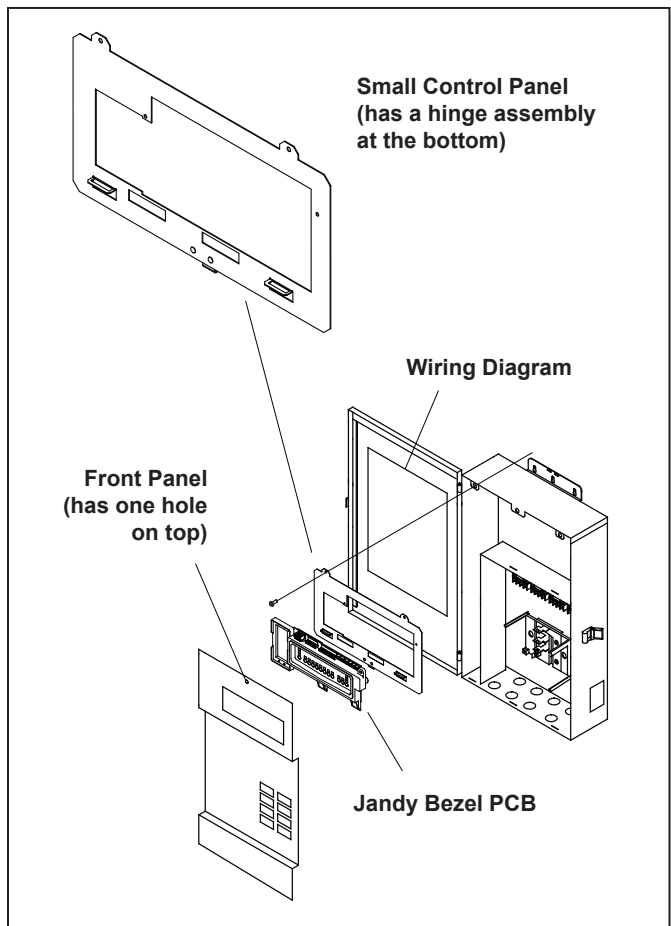


Figure 2. EOS Power Center

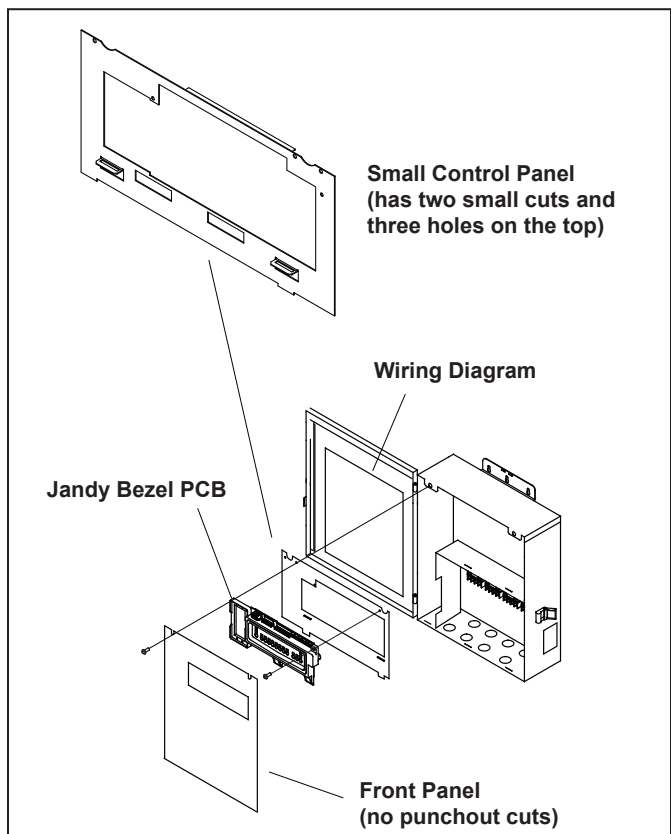


Figure 3. Small SOL Power Center

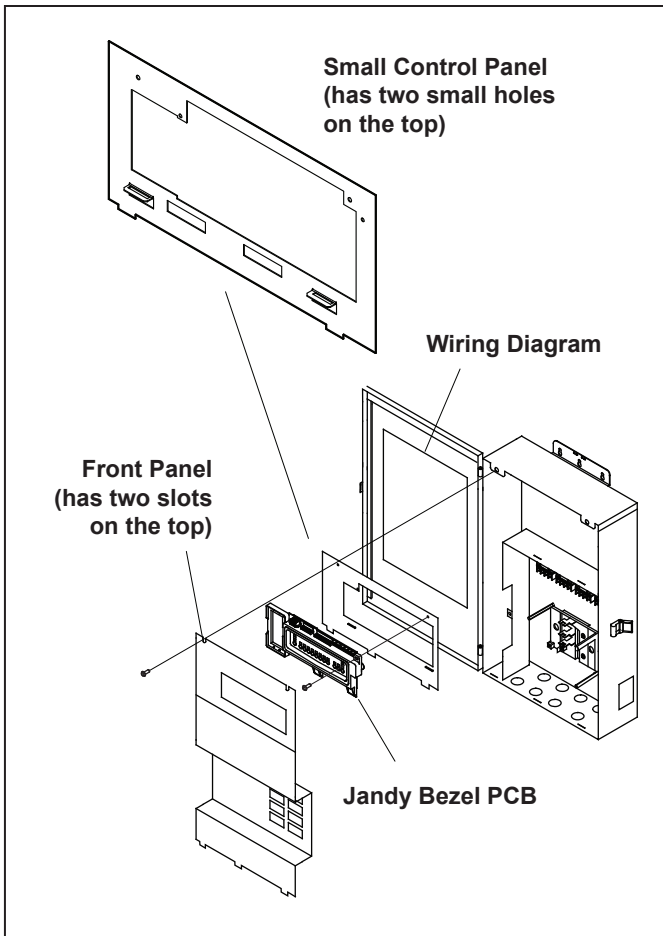


Figure 4. Large SOL Power Center

10. Turn on the power and press the override switch to "SERVICE" mode. Test each circuit, correct any errors, then press the override switch twice to move to "AUTO" mode.
11. At the PDA handheld remote or at the AquaLink RS wireless indoor controller, set time, date, and program equipment (Refer to AquaLink RS or PDA Installation Manual for Programming).

4. Outdoor Transceiver J-box Installation

⚠ WARNING

Risk of Electric Shock which can result in Serious Injury or Death. Before attempting installation or service, ensure that all power to the circuit supplying power to the system is disconnected or turned off at the circuit breaker. All wiring must be done in accordance with the National Electrical Code (NEC), NFPA-70.

In Canada, the Canadian Electrical Code (CEC), CSA C22.1, must be followed. All applicable local installation codes and regulations must be followed.

1. Turn off all power to the power center.
2. Mount the outdoor transceiver J-box at least six (6) feet above the ground and at least eight (8) feet from an air blower, and at least five (5) feet away from other transceiver J-box. See Figure 5.

NOTE To improve performance of the transceiver, mount the J-box more than six (6) feet above the ground.

3. Open the door to the power center and remove the dead panel.
4. Feed the four conductor wire into the power center through the low voltage raceway.
5. Cut off the excess wire. Strip the jacket back six (6) feet and strip the individual wires approximately 1/4". Connect the four conductor wire to the red terminal bar on the power center PCB.
6. Install the dead panel to the power center and restore all power.

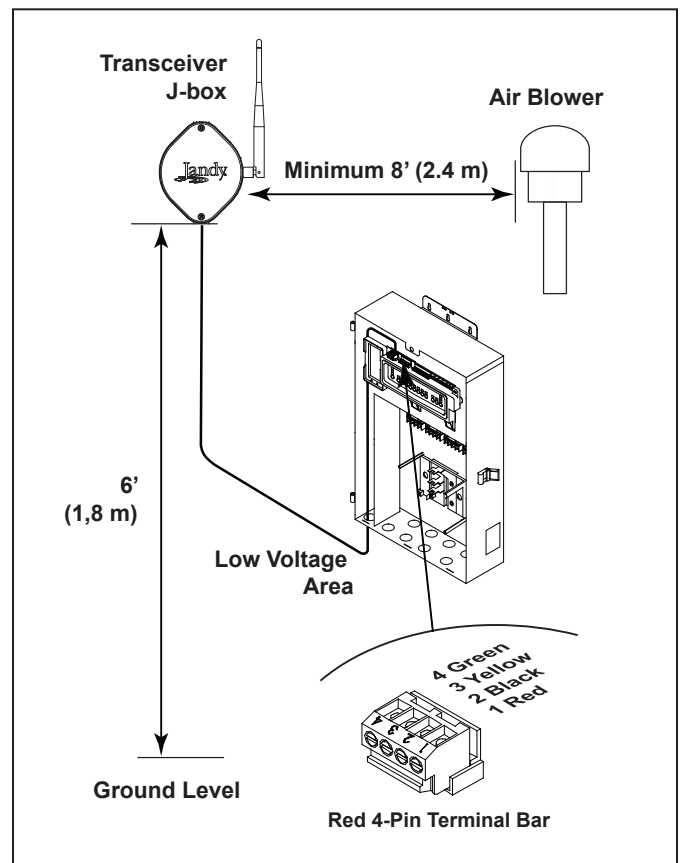


Figure 5. Outdoor Transceiver J-box Installation

