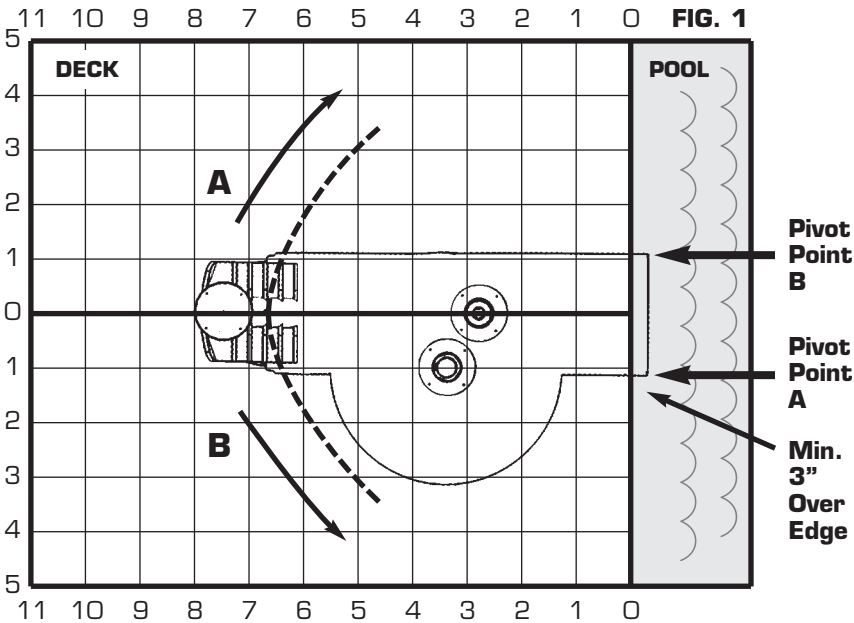


G-FORCE™ WATER STUB-UP & DECK SPACE REQUIREMENTS

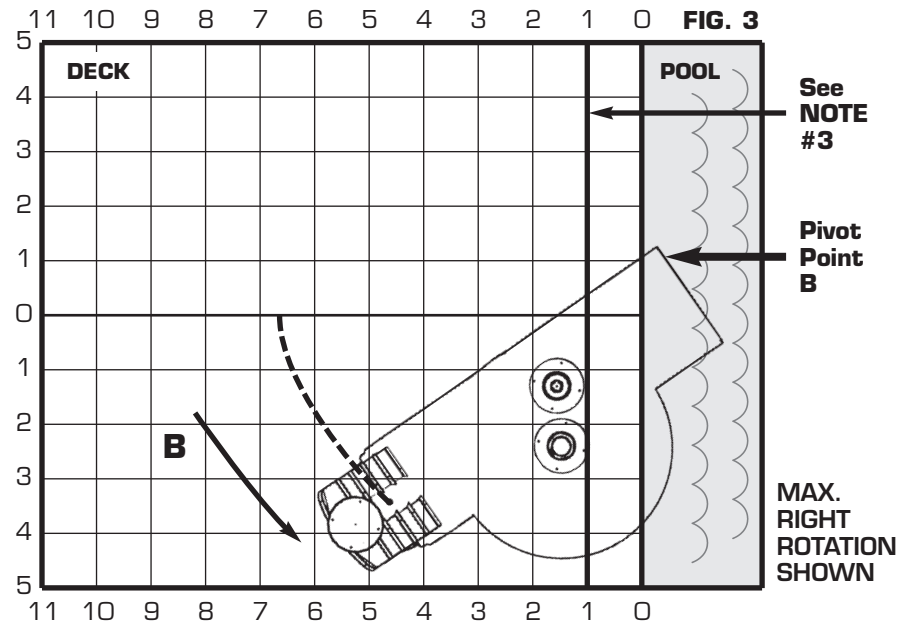
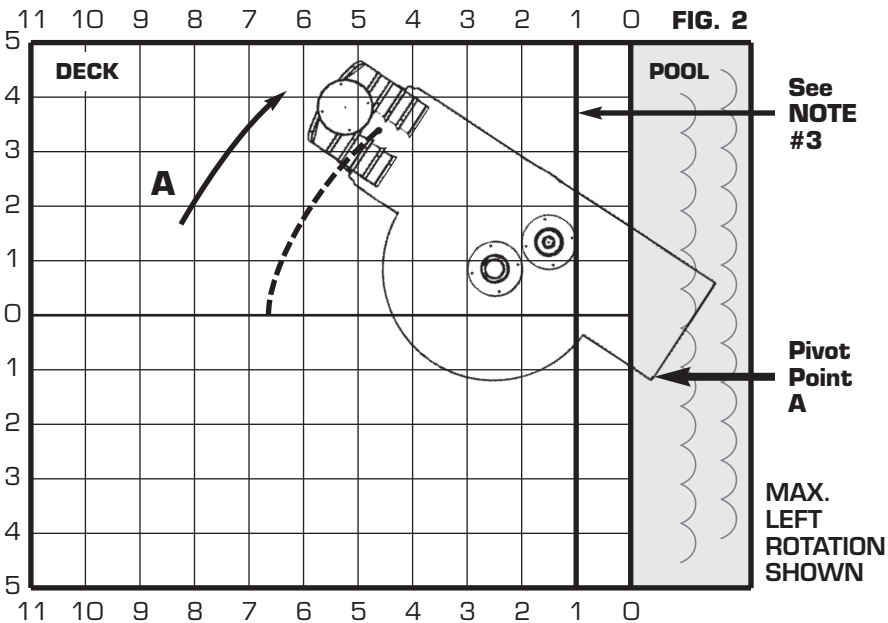


STUB-UP PLACEMENT PROCEDURES:

- 1) First determine which pivot point you will use, A or B. (Fig. 1)
- 2) Establish where on your pool that pivot point will be.
- 3) Slide foot closest to the water, when pivoted in either direction, must be a minimum of 1' (12") away from pool edge.
- 4) Slide overhang must be a minimum of 3" at pivot point and is variable. Other dimensions will alter accordingly.
- 5) Distance from pool edge to stub-up on a STRAIGHT application (Fig. 1) is 79".
- 6) Distance from pivot point to stub-up on a PIVOTED application (Fig. 2 & Fig. 3) is 80".
- 7) Use pivot point A when rotating rear of slide to the left; use pivot point B when rotating rear of slide to the right.
- 8) **NOTE:** When you pivot slide from pivot point B, a portion of the slide helix will overhang the pool. *This may be visually objectionable to some consumers.* (Fig. 3)

LEGEND

- 1 Square = 1 Foot (12")**
----- = Water Stub-Up Location



INTER-FAB INC. • 800.737.5386 • inter-fab.com