

# ***INTER-FAB***

Baja Diving Board  
& Baja Jump Stand

## **JUMP BOARD**

### **INSTALLATION MANUAL**

#### **WARNING!**

This INTER-FAB diving board shall be installed only by a professional swimming pool contractor or with the direct supervision of a licensed professional engineer or architect. Diving boards may be installed only on swimming pools properly designed for their use.

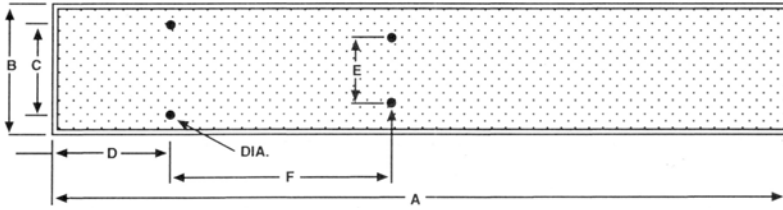
Diving boards improperly installed can be very dangerous to the user resulting in possible serious head and/or spinal column injury, including the death of the user.

It is very important that diving boards be installed in strict accordance with the current "standard for residential (or commercial) swimming pool" published by National Spa & Pool Institute, 2111 Eisenhower Avenue, Alexandria, VA 22314.

In addition to the above standard, these installation instructions provided by INTER-FAB, Inc. must be diligently followed.

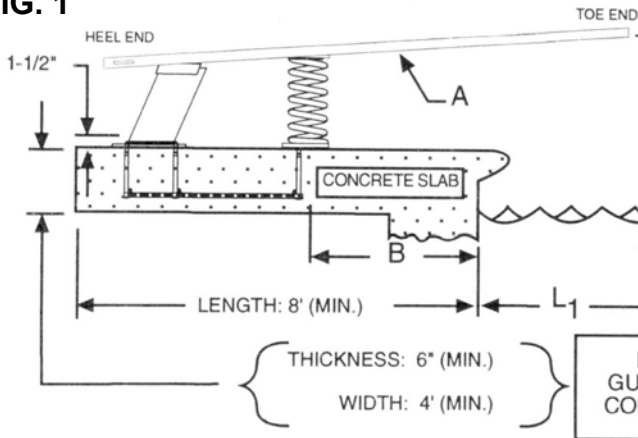
It is also important that any and all warnings provided with the diving board be strictly adhered to and posted in a conspicuous location. If none were provided, or they are misplaced, please purchase warning signs from your pool contractor or professional swimming pool supply store and post them in a location that the users of the diving board can see.

# BAJA JUMP BOARD & BAJA JUMP STAND



MODEL	A	B	C	D	E	F	DIA.
6' Baja	70.50"	17.25"	12.00"	12.00"	7.00"	15.00"	19/32"
8' Baja	94.50"	17.25"	12.00"	12.00"	7.00"	26.00"	19/32"

**FIG. 1**



### TIGHTENING SCHEDULE

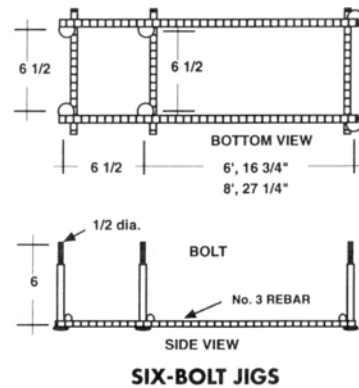
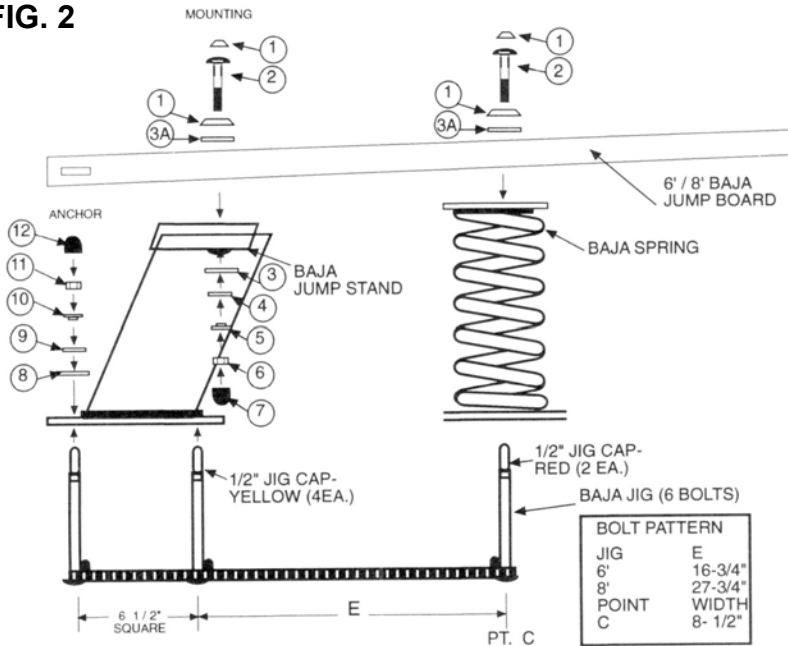
SECURE BOARD TO STAND WITH MOUNTING HEX NUTS  
 FIBERGLASS: 20-25 FT-LBS.  
 SECURE STAND TO JIG WITH: ANCHOR HEX NUTS 40-50 LBS.

- NSPI REFERS TO HEEL AS BUTT AND TOE AS TIP ENDS OF BOARD.

RECOMMEND compressive strength of concrete to be 3500 psi or greater.

**INTER-FAB - CANNOT GUARANTEE CUSTOMER'S CONCRETE OR THICKNESS**

**FIG. 2**



### BAJA MOUNTING BOLT KIT

1. White Plastic recessed mounting Washer Assy (4 EA.)
10. 1/2" x 3" Carriage Bolt C/S Zinc Plated (4 EA.)
11. 1/2" x 1- 1/2" Round Nylon Washer (4 EA.)
- 3A. 1/2" x 2" Black Rubber Washer (4 EA.)
4. 1/2" x 1- 3/8" Flat Washer C/S Zinc Plated (4 EA.)
5. 1/2" Lock Washer C/S Zinc Plated (4 EA.)
6. 1/2" Hex Nut C/S Zinc Plated (4EA.)
7. 1/2" White Rubber Nut Cap (EA.)

### BAJA STAND AND SPRING ANCHOR BOLT KIT

8. 1/2" x 1- 1/2" Round Nylon Washer (6 EA.)
9. 1/2" x 1- 3/8" Flat Washer C/S Zinc Plated
10. 1/2" Lock Washer C/S Zinc Plated (6 EA.)
11. 1/2" Hex Nut C/S Zinc Plated (6 EA.)
12. 1/2" White Rubber Nut Cap (6 EA.)

All diving board installation should be made in accordance with National Spa & Pool Institute "Standards for Residential Pools" dated April 25, 1995. Copies of this standard are available from, NSPI, 2111 Eisenhower Avenue, Alexandria, VA 22314. Refer to this standard for proper board overhang (WA) for your pool. Below dimensions for guide only.

5.10.1 **Point A:** Point A is the point from which all other forward dimensions of width, length and depth are then established for Minimum Diving Water Envelope. If the tip of the diving board or diving platform overhang is located at a distance of WA or greater from the deep end wall and the water depth at that location is equal to or greater than the water depth requirement at Point A **See Table 2**, then the point on the water surface directly below the center of the tip of the diving platform shall be identified as Point A.

5.10.2 **Location of Point A:** The minimum Diving Water Envelope dimensions for pools manufactured diving equipment shall be taken from Point A as shown in **Figure 5**. Point A shall be defined as the point on the water surface where the water depth is required for Point A and is provided at a distance of WA as shown in **Table 2** from the deep end wall. The center of the tip of the diving board shall be located directly above point A.

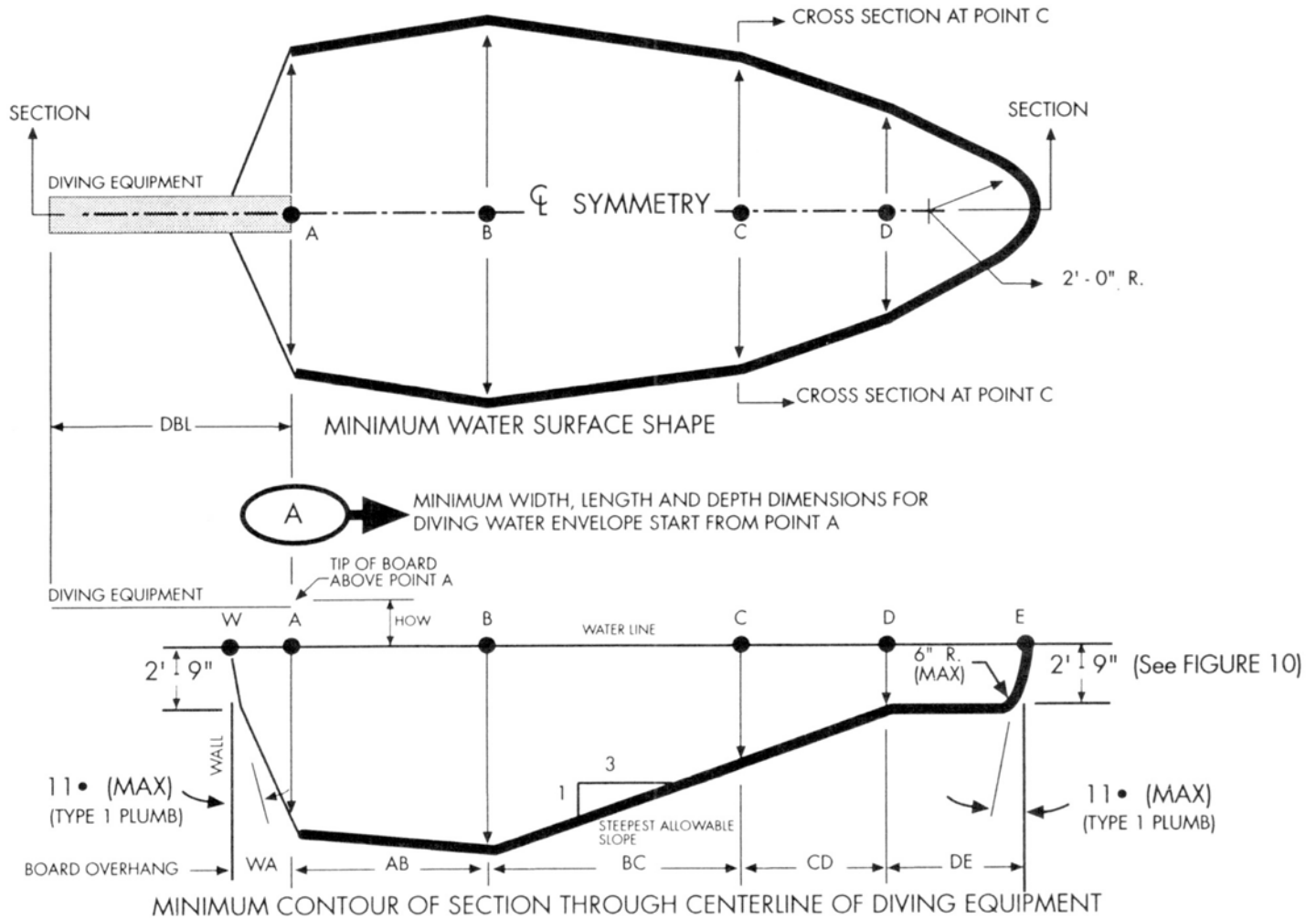
**Refer to NSPI Guideline for specific design configurations**

**Note:**

1. **See Appendix J for individual Pool Type Minimum Diving Envelopes.**
2. \* Minimum length between points CD may vary based upon water depth at point D and the slope between C & D.
3. \*\* **ABBREVIATIONS: DBL=DIVING BOARD LENGTH, DB=DIVING BOARD, JP=JUMP BOARD, HOW=HEIGHT OVER WATER.**
4. **IMPORTANT: The walls of a Type I Pool, when defining the Maximum Diving Water Envelope shall be plump.**
5. Figure 5 drawings are not to scale.
6. All dimensions are minimum, except where noted as maximum.
7. One half ( $\frac{1}{2}$ ) the width shown at each point shall be available on each side of the diving equipment centerline.
8. Minimum water depth under tip of diving board (point A) is important to maintain.

# NSPI – POOL SPECIFICATIONS FOR DIVING EQUIPMENT

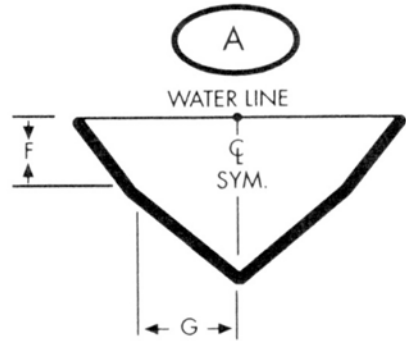
**Figure 5**  
**Minimum Diving Water Envelope**



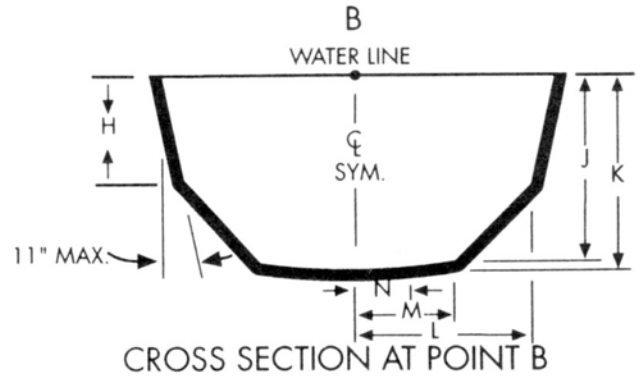
POOL TYPE	MAX. DIVING BOARD LENGTH	MAX. HEIGHT OVER WATER	MINIMUM DEPTHS AT POINT				MINIMUM WIDTHS AT POINT				MINIMUM LEGTHS BETWEEN POINTS					
			A	B	C	D	A	B	C	D	WA	AB	BC	CD*	DE	WE
<b>0</b>	<b>DIVING EQUIPMENT IS PROHIBITED</b>															
<b>I</b>	6' DB/6' JB	20'	6'-0"	7'-6"	5'-0"	2'-9"	10'-0"	12'-0"	10'-0"	8'-0"	1'-6"	7'-0"	7'-6"	VARIABLES	6'-0"	28'-9"
<b>II</b>	8' DB/6' JB	20'	6'-0"	7'-6"	5'-0"	2'-9"	12'-0"	15'-0"	12'-0"	8'-0"	1'-6"	7'-0"	7'-6"	VARIABLES	6'-0"	28'-9"
<b>III</b>	10' DB/8' JB	26'	6'-10"	8'-0"	5'-0"	2'-9"	12'-0"	15'-0"	12'-0"	8'-0"	2'-0"	7'-6"	9'-0"	VARIABLES	6'-0"	31'-3"
<b>IV</b>	10' DB/8' JB	30'	7'-8"	8'-6"	5'-0"	2'-9"	15'-0"	18'-0"	15'-0"	9'-0"	2'-6"	8'-0"	10'-6"	VARIABLES	6'-0"	33'-9"
<b>V</b>	12' DB/8' JB	40'	8'-6"	9'-0"	5'-0"	2'-9"	15'-0"	18'-0"	15'-0"	9'-0"	3'-0"	9'-0"	12'-6"	VARIABLES	6'-0"	36'-9"

# NSPI – POOL SPECIFICATIONS FOR DIVING EQUIPMENT

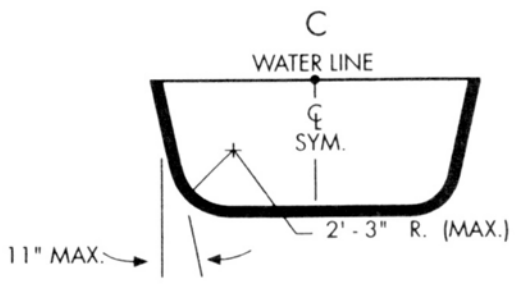
Figure 5  
Minimum Diving Water Envelope



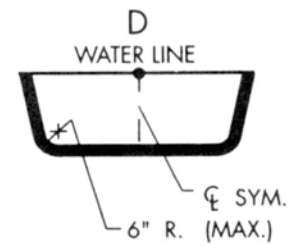
CROSS SECTION AT POINT A



CROSS SECTION AT POINT B



CROSS SECTION AT POINT C



CROSS SECTION AT POINT D

CROSS SECTIONAL DIMENSIONS AT POINT A			CROSS SECTIONAL DIMENSIONS AT POINT B					POOL TYPE
F	G	H	J	K	L	M	N	
<b>DIVING EQUIPMENT IS PROHIBITED</b>								0
2'-9"	5'-0"	4'-0"	7'-2 1/2"	7'-6"	6'-0"	3'-9"	2'-1 1/2"	I
2'-9"	3'-10"	4'-2"	7'-2 1/2"	7'-6"	6'-8"	3'-9"	2'-1 1/2"	II
2'-9"	4'-4 3/4"	4'-4 1/2"	7'-5 1/2"	8'-0"	6'-7"	3'-11 1/2"	1'-7 1/2"	III
2'-9"	5'-10 1/2"	3'-10"	7'-8"	8'-6"	8'-3"	5'-7"	2'-7"	IV
2'-9"	6'-2"	3'-11 1/2"	7'-9 1/2"	9'-0"	8'-2 1/2"	5'-9"	2'-1"	V

**BAJA JUMP STAND**  
**Chart 1, Refer to Fig. 1**  
**(NSPI STANDARDS FOR RESIDENTIAL SWIMMING POOLS – 1995)**

Board	Pool Type	Distance For Setting Front Bolt of Jig From Water's Edge	Min. Overhang Plus or Minus 3"	Max. Height of Board Above Water
A		B	WA *	D
6'	I or II	25"	18"	20"
6'	III	19"	24"	26"
8'	III	32"	24"	26"
6'	IV	13"	30"	30"
8'	IV	26"	30"	30"
8'	V	20"	36"	40"

**\* (WA) DIMENSION IS VALID ONLY IN CONJUNCTION WITH (A) DEPTH  
(SEE FIG. 5 FOR TYPE POOL AND BOARD TO BE USED).**

When coping is used do not set front bolts of jig closer the 3" from the back edge of coping.

## **INSTALLATION INSTRUCTIONS**

BE SURE TO CONCRETE DECK SURROUNDING ANCHOR JIG. COMPLIES WITH MINIMUM DIMENSIONS AS SHOWN IN FIGURE 1.

1. Read carefully Fig. 5 DIMENSIONS FOR RESIDENTIAL POOLS WITH DIVING EQUIPMENT of the 1995 National Spa & Pool Institute Standard for Residential Swimming Pools.
2. The BAJA six-bolt jig should be set in accordance with the Chart 1 Rule Sheet above and Fig. 1, with the two "RED" capped bolts closest to the pool. This will give the desired minimum overhang. Board must be placed at deep end of pool on centerline. Please review Fig. 5.
3. Make sure bolts project out of concrete 1-1/2" with ample concrete depth below jig. Refer to Fig. 1 for minimum deck thickness, width, and length.
4. When finishing deck surface, maintain level deck where jog bolts project out so that the stand makes uniform contact with deck surface.
5. Before mounting stand and spring, chisel away any excess concrete that may have built up around jig bolts and remove the red and yellow bolt caps.
6. Place stand over jig bolts and secure to Fig. 2. Tighten ANCHOR hex nuts. Tighten all MOUNTING and ANCHOR hex nuts according to TIGHTENING SCHEDULE in Fig. 1.
7. The BAJA Jump Stand properly secured, select board size according to Chart 1 Rule Sheet. Invert board and secure Baja Spring to board according to Fig. 2. This allows for easier accessibility for tightening the MOUNTING hex nuts.
8. Turn board with spring attached, right side up and place spring over the front jig bolts resting the board's heel end on the Baja Stand. Secure spring to jig according to Fig. 2 and tighten ANCHOR hex nuts. Secure board to stand according to Fig. 2 and tighten MOUNTING hex nuts.
9. **ONLY ONE PERSON ON JUMP BOARD AT A TIME, WITH A MAXIMUM WEIGHT OF 250 LBS.**