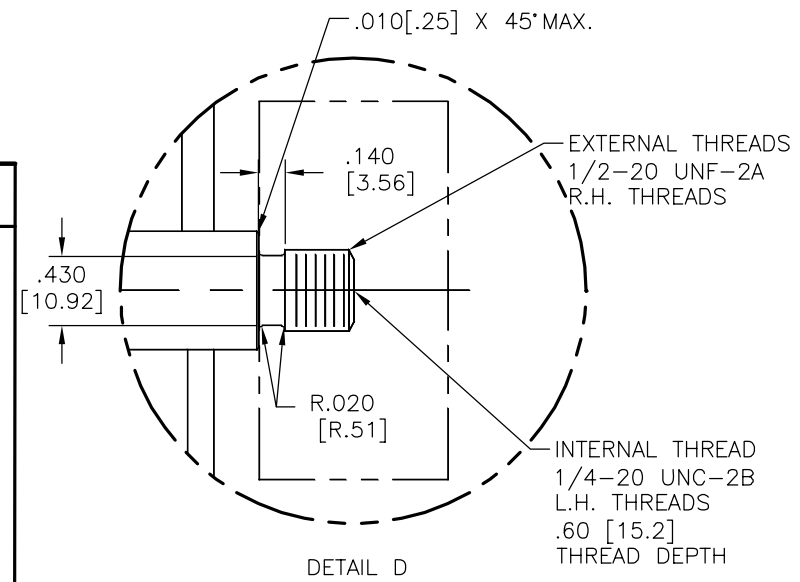
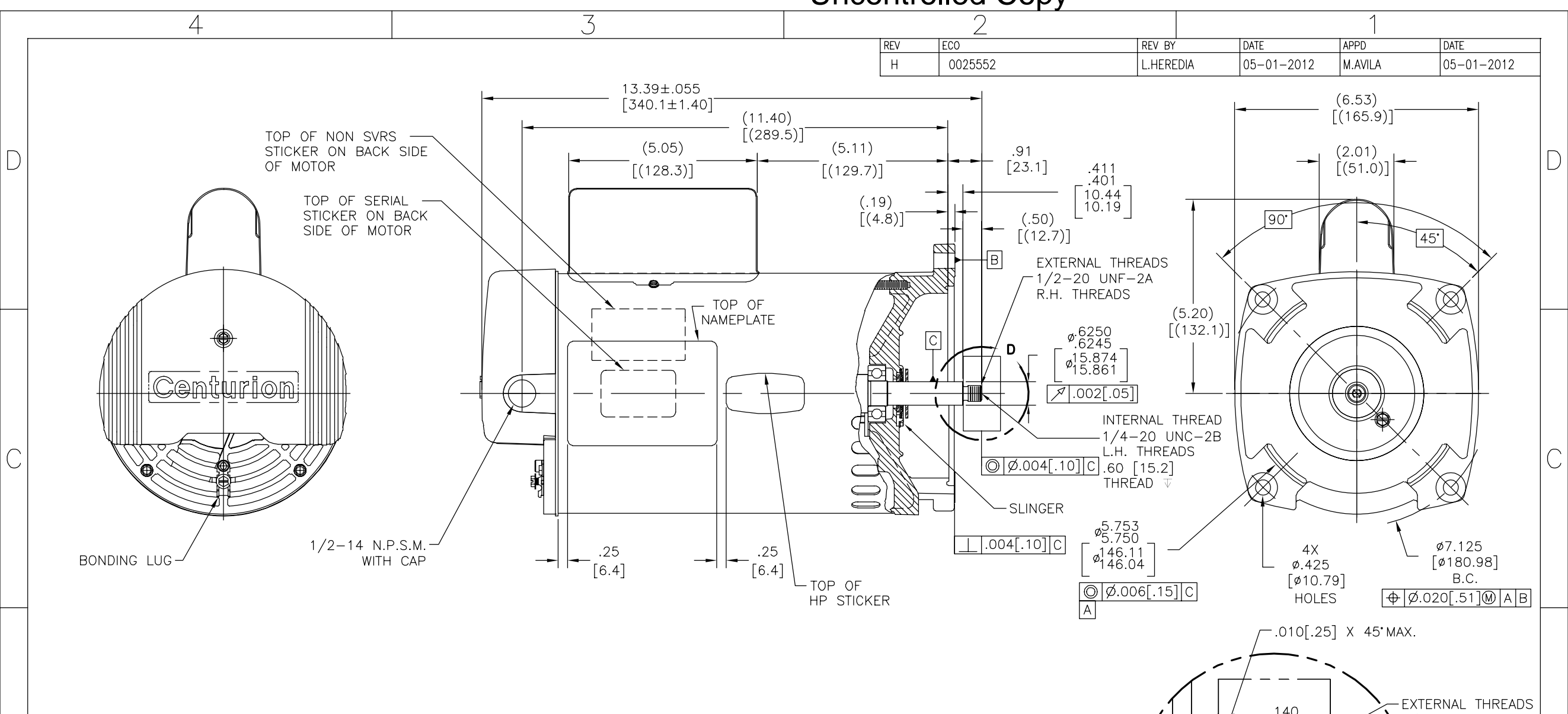


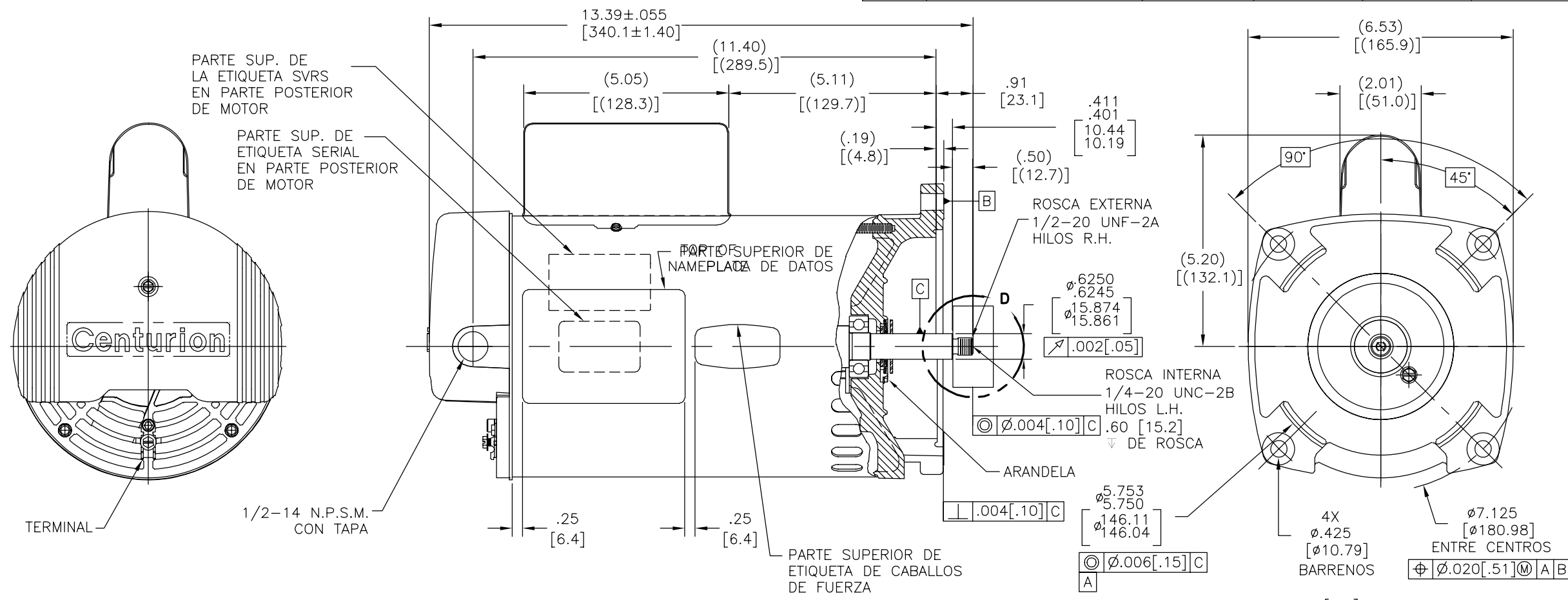
REV	ECO	REV BY	DATE	APPD	DATE
H	002552	L.HEREDIA	05-01-2012	M.AVILA	05-01-2012



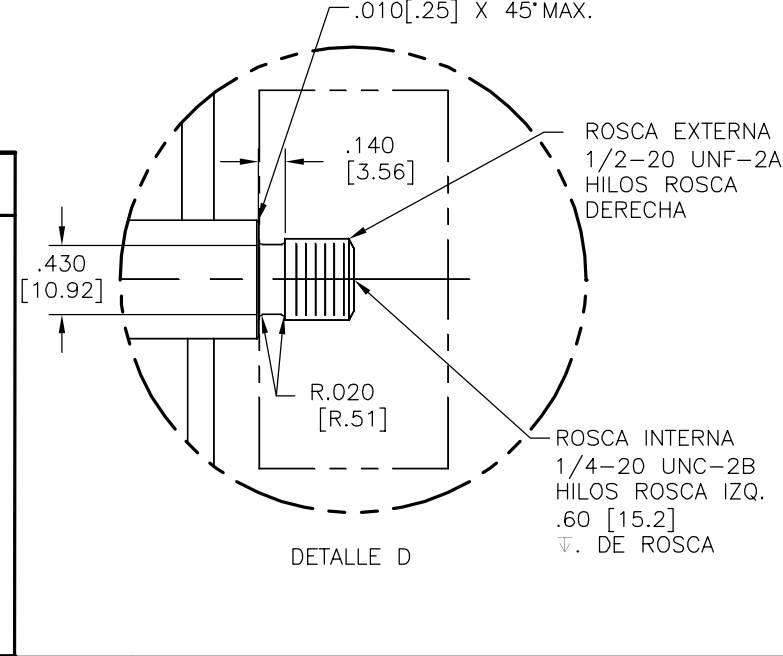
NAMEPLATE DATA	EXTERNAL CONNECTION DIAGRAM	NOTES
MODEL: 196336 CUST PN: HSQ1102 HP: 1.0 SF: 1.85 ROT: CCWPE RPM: 3450 TYPE: CP CODE: G FORM: --- FRAME: Y 56 Y VOLTS: 115/208-230 AMPS: 12.0/6.5-6.0 MAX AMPS: 15.0/8.8-7.5 SF AMPS: --- PH: 1 HZ: 60 INS: F AMB: 60°C DUTY: CONT ENCLOSURE: ODP THERMALLY PROTECTED	<p>HIGH VOLTAGE SHOWN. ROTATE DIAL CCW TO 115 FOR LOW VOLTAGE.</p> <p>USE COPPER CONDUCTORS ONLY. INSTALL MOTOR WITH VENTS DOWN. ACCEPTABLE FOR FIELD WIRING</p>	<ol style="list-style-type: none"> FOR THREADED SHAFT EXT. ECCENTRICITY OF THREADED PORTION OF SHAFT IS HELD WITHIN .004[.10] TOTAL GAGE READING WITH THE INDICATOR ON O.D. OF GROUND RING GAGE AS SHOWN. THE GAGE BEING STATIONARY WITH RESPECT TO THE ROTOR. END PLAY NOT TO EXCEED .010[.25] MEASURED WITH NO THRUST ALL DIMENSIONS SHOWN IN PARENTHESIS ARE REFERENCE DIMENSIONS. FINISH PAINT TO BE BLACK. GREEN GROUND SCREW LOCATED UNDER COVER TO BE INSTALLED WITH A .09[2.3] MIN. GAP FOR EASY CONNECTION.

PERFORMANCE CURVE	APPROVED SAMPLE	GEOMETRIC CHARACTERISTICS & SYMBOLS □ FLATNESS — STRAIGHTNESS < ANGLARITY ⊥ PERPENDICULARITY (SQUARENESS) // PARALLELISM ○ ROUNDNESS (CIRCULARITY) ∅ CYLINDRICITY △ PROFILE OF ANY SURFACE ∩ PROFILE OF ANY LINE ↑ RUNOUT ⊕ TRUE POSITION ⊙ CONCENTRICITY = SYMMETRY	UNLESS OTHERWISE SPECIFIED DIM. TOLERANCES ARE AS FOLLOWS:	DR BY: MOE	08-07-2007	REGAL-BELOIT CORPORATION DESCRIPTION MODEL-PFHP-56FR OUTLINE
01165901	0604251AP2		INCH ±.1 ±.02 ±.005 ±.0005 mm ±0.5 ±0.13 ±0.013 ANG. ±.50 DEG REMOVE BURRS & BREAK SHARP EDGES: INCH .003-.015 mm 0.1-0.4 CORNER FILLETS TO: INCH .020 mm 0.5 MACHINE SURFACES: INCH 125 mm 3.2	APPD:	EDS DATE 11-11-2011	
UL COMPONENT	CSA	ASME Y14.5M 1994	METRIC DIMS. SHOWN IN [BRACKETS]	THIRD ANGLE PROJECTION	FORMAT REV G	DWG NO HSQ1102
FILE#	CCN#	FILE#	GUIDE#	CONFIDENTIAL: THIS DRAWING AND ITS INFORMATION ARE THE EXCLUSIVE AND CONFIDENTIAL PROPERTY OF REGAL-BELOIT CORPORATION AND ARE NOT TO BE DISCLOSED, DUPLICATED, DISTRIBUTED OR OTHERWISE USED WITHOUT THE WRITTEN CONSENT OF REGAL-BELOIT CORPORATION. -ALL RIGHTS RESERVED.		SHEET 1
E14663	PRGY2	LR4642	4211-01	SCALE NONE		

REVISION:	ECO	REVISADO POR:	FECHA:	APROBADO POR:	FECHA:
H	0025552	L.HEREDIA	05-01-2012	M.AVILA	05-01-2012

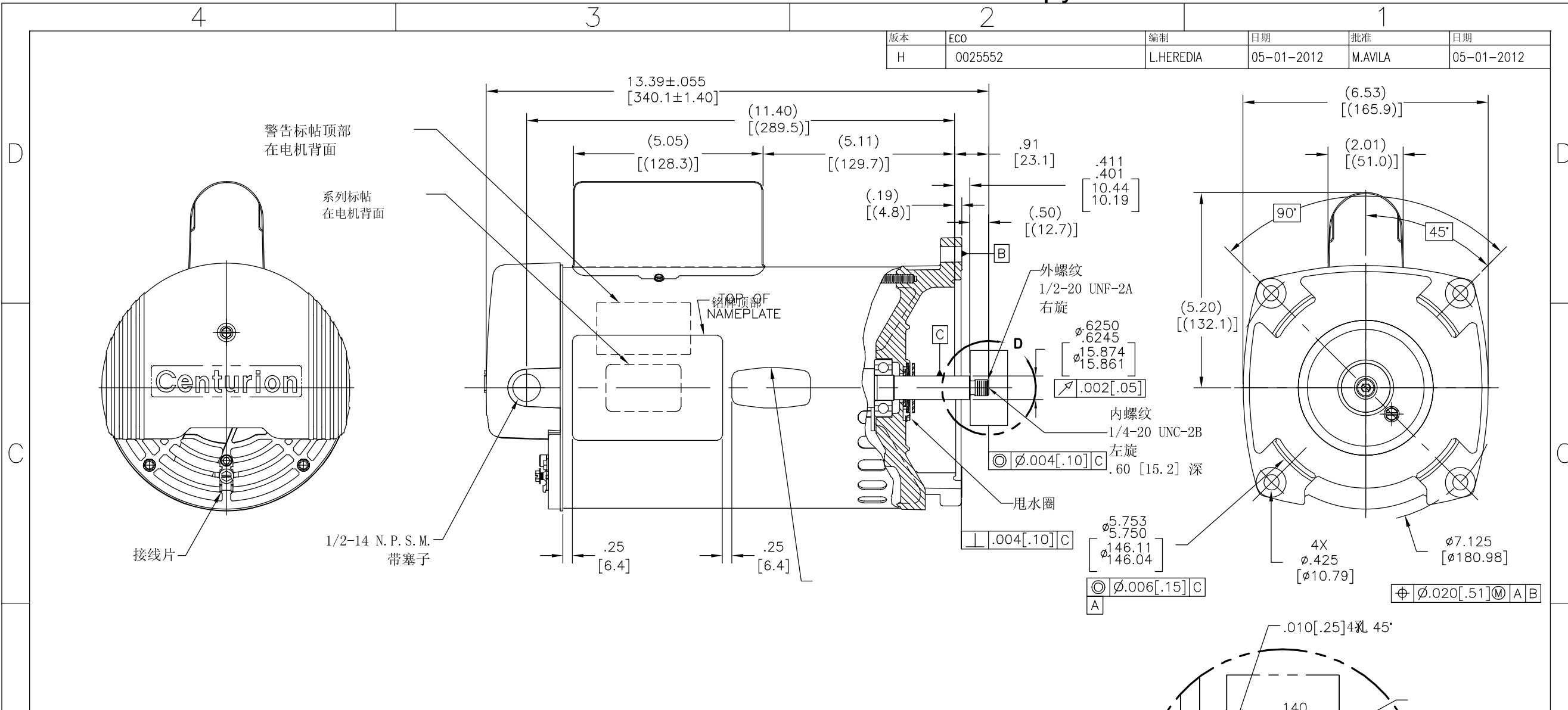


NAMEPLATE DATA	EXTERNAL CONNECTION DIAGRAM	NOTES
MODEL: 196336 CUST PN: HSQ1102 HP: 1.0 SF: 1.85 ROT: CCWPE RPM: 3450 TYPE: CP CODE: G FORM: --- FRAME: Y 56 Y VOLTS: 115/208-230 AMPS: 12.0/6.5-6.0 MAX AMPS: 15.0/8.8-7.5 SF AMPS: --- PH: 1 HZ: 60 INS: F AMB: 60°C DUTY: CONT ENCLOSURE: ODP THERMALLY PROTECTED	<p>175367-29</p> <p>NEUTRAL GREEN (GROUND) LINE</p> <p>HIGH VOLTAGE SHOWN. ROTATE DIAL CCW TO 115 FOR LOW VOLTAGE. USE COPPER CONDUCTORS ONLY. INSTALL MOTOR WITH VENTS DOWN. ACCEPTABLE FOR FIELD WIRING</p>	<ol style="list-style-type: none"> PARA EXT. DE FLECHA ROSCADA LA EXCENTRICIDAD DE LA ROSCA DE LA FLECHA ES SOSTENIDA DENTRO .004[.10] LECTURA TOTAL DEL ESCANTILLON CON EL INDICADOR SOBRE EL DIAM. EXTERNO DEL ANILLO DE TIERRA COMO SE MUESTRA. EL ESCANTILLON SERA ESTACIONARIO CON RESPECTO AL ROTOR. JUEGO AXIAL NO EXCEDERA .010[.25] MEDIDA SIN EMPUJE. TODAS LAS DIMENSIONES MOSTRADAS EN PARENTESIS SON DIMENSIONES DE REFERENCIA. EL ACABADO DE LA PINTURA SERA NEGRO. TORNILLO VERDE DE TIERRA UBICADO BAJO LA CUBIERTA PARA SER INSTALADA CON UNA HOLGURA DE .09[2.3] MINIMO PARA FACIL CONEXION.

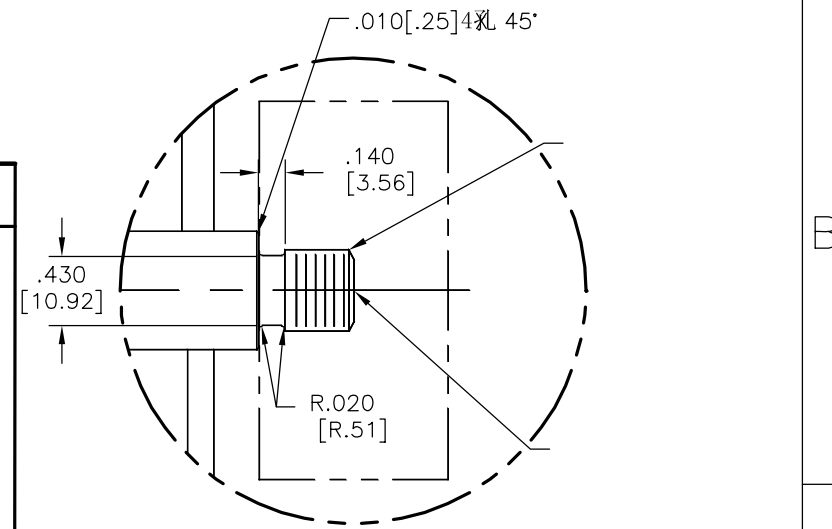


PERFORMANCE CURVE	APPROVED SAMPLE	CARACTERISTICAS DE GEOMETRIA Y SIMBOLOS □ PLANICIDAD - RECTITUD ∠ ANGULARIDAD ⊥ PERPENDICULARIDAD (A ESQUADRA) // PARALELISMO ○ REDONDEZ (CIRCULARIDAD) ∅ CILINDRICIDAD △ PERFIL DE CUALQUIER SUPERFICIE ∇ PERFIL DE CUALQUIER LINEA ↑ VARIACION ⊕ POSICION REAL ⊙ CONCENTRICIDAD = SIMETRIA	A MENOS QUE SE ESPECIFIQUE DE OTRA MANERA, LAS TOLERANCIAS DE LAS DIMS; SON LAS SIGUIENTES: PULG ±.1 ±.02 ±.005 ±.0005 mm ±0.5 ±0.13 ±0.013 ANG. ±50 GRADOS ELIMINAR REBABAS Y ORILLAS FILOSAS DEL BORDE. PULG .003-.015 mm 0.1-0.4 FILETEAR ESQUINA: PULG .020 mm 0.5 MAQUINAR SUPERFICIES PULG 125 mm 3.2 DIMS METRICAS MOSTRADAS [PARENTESIS]	DIBUJADO POR: MOE	08-07-2007	DESCRIPCION: MODEL-PFHP-56FR OUTLINE TAMAÑO: C NUMERO DE DIBUJO: HSQ1102 ESCALA: NONE HOJA: 1
01165901	0604251AP2			UL COMPONENT CSA FILE# CCN# FILE# GUIDE# E14663 PRGY2 LR4642 4211-01 CUSTOMER DISTRIBUTION	TERCER ANGULO DE PROYECCION	

版本	ECO	编制	日期	批准	日期
H	0025552	L.HEREDIA	05-01-2012	M.AVILA	05-01-2012



NAMEPLATE DATA	EXTERNAL CONNECTION DIAGRAM	NOTES
MODEL: 196336 CUST PN: HSQ1102 HP: 1.0 SF: 1.85 ROT: CCWPE RPM: 3450 TYPE: CP FORM: --- CODE: G FRAME: Y 56 Y VOLTS: 115/208-230 AMPS: 12.0/6.5-6.0 MAX AMPS: 15.0/8.8-7.5 SF AMPS: --- PH: 1 HZ: 60 INS: F AMB: 60°C DUTY: CONT ENCLOSURE: ODP THERMALLY PROTECTED	<p>175367-29</p> <p>NEUTRAL</p> <p>GREEN (GROUND)</p> <p>LINE</p> <p>HIGH VOLTAGE SHOWN. ROTATE DIAL CCW TO 115 FOR LOW VOLTAGE.</p> <p>USE COPPER CONDUCTORS ONLY. INSTALL MOTOR WITH VENTS DOWN. ACCEPTABLE FOR FIELD WIRING</p>	1. 量规测量方法如图所示，螺纹外径与中心的同心度为.004 [.10] 2. 轴向窜动不超过.010 [.25] 3. 括号内尺寸为参考尺寸。 4. 表面为浅褐色喷漆。 5. 参考型号: 177450 6. 1.65 SF HP



PERFORMANCE CURVE	APPROVED SAMPLE		
01165901	0604251AP2		
UL COMPONENT	CSA		
FILE#	CCN#	FILE#	GUIDE#
E14663	PRGY2	LR4642	4211-01
CUSTOMER	DISTRIBUTION		

形位公差	除另有注明
□ 平面度	尺寸公差如下:
— 直线度	英寸 X XX XXX XXXX
∠ 倾斜度	英寸 ±.1 ±.02 ±.005 ±.0005
⊥ 垂直度	毫米 ±0.5 ±0.13 ±0.013
// 平行度	角度 ±.50度
○ 圆度	清理毛刺和尖棱
⊘ 圆柱度	英寸 .003-.015 毫米 0.1-0.4
△ 面轮廓度	内圆角
∩ 线轮廓度	英寸 .020 毫米 0.5
↗ 圆跳动	表面粗糙度
⊕ 位置度	英制 125 米制 3.2
⊙ 同轴度	米制尺寸显示在 []
≡ 对称度	

绘图: MOE	08-07-2007
批准:	
第三角投影	图纸格式发布日期 11-11-2011
	图纸格式版本 G
机密: 本图纸及相关信息所有权归REGAL-BELOIT CORPORATION. 未经REGAL-BELOIT CORPORATION书面授权, 不得泄露、复制、传播或作其他用途。—版权所有	

名称: MODEL-PFHP-56FR OUTLINE	
图幅: C	图号: HSQ1102
比例: NONE	页号: 1