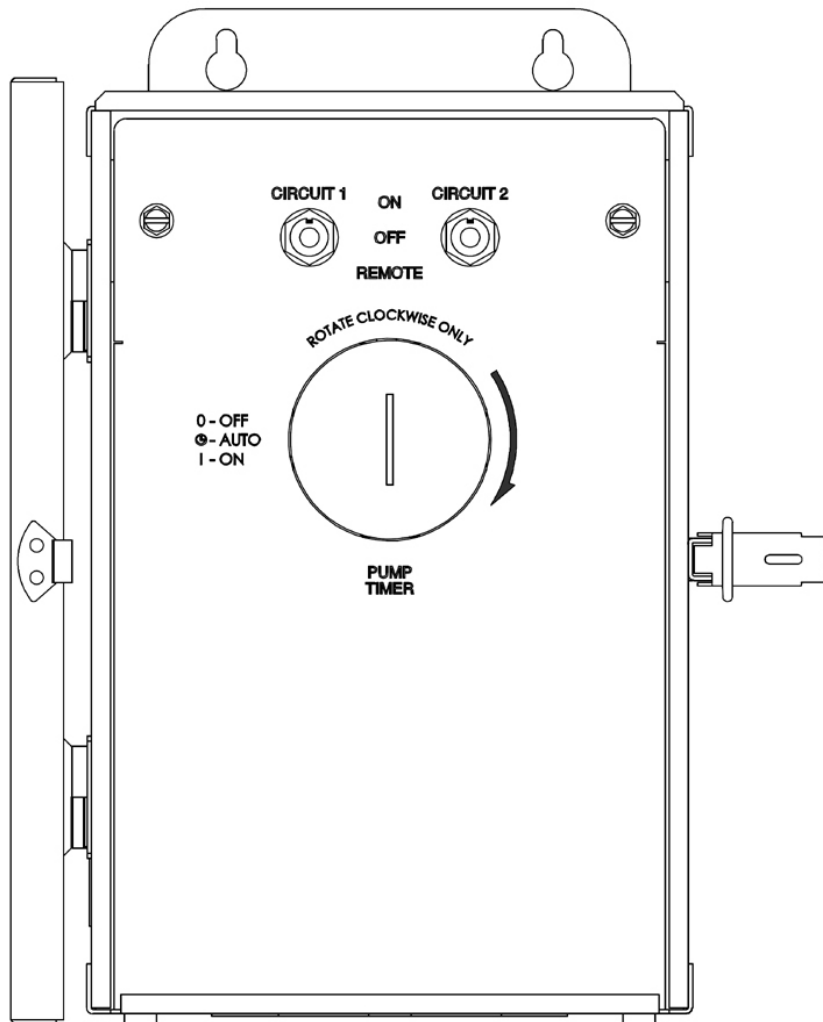


# WPC-1

Rated for use on 110/120VAC 60Hz and 220/240VAC 60Hz applications

**Installation Instructions: Read these instructions in its entirety before performing any installation work.**

FOR USE WITH POOL AND SPA PRODUCTS



ETL LISTED  
Conforms to UL STD 508;  
Certified to CSA STD  
C22.2 No. 14



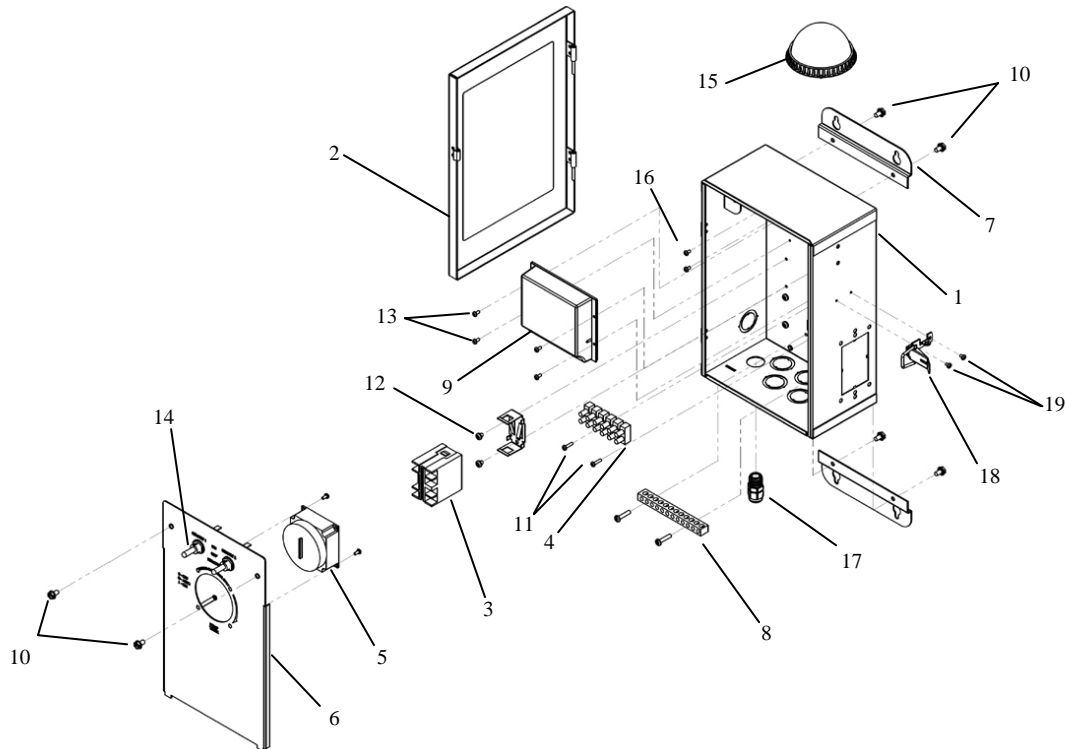
3091594

The WPC-1 consists of the following parts:

Item No.	Qty.	Component part No.	Description
1	1	-	WPC-1 Enclosure
2	1	94-15087-00	WPC-1 Enclosure Door
3	1	37-15000-00	Relay
4	1	41-15004-08	8 Position Terminal Block
5	1	42-15032-00	Timer
6	1	02-15268-00	Face Plate
7	2	02-15274-00	WPC-1 Mounting Bracket
8	1	41-15003-00	Grounding Bar
9	1	94-15090-00	WPC Receiver
10	6	10-15086-04	Face Plate and Mounting Bracket Screws
11	2	10-15089-06	Terminal Block Mounting Screw
12	2	10-15060-01	Relay Mounting Screw
13	8	10-15089-03	Timer and Receiver Mounting Screws
14	2	A11526	3-Position Toggle Switch
15	1	94-15092-00	WPC Repeater
16	2	10-15089-02	Freeze Device Mounting Screw (Optional equipment)
17	1	20-15013-00	Strain Relief
18	1	17-15005-00	Latch
19	2	10-15089-01	Latch Mounting Screws

**Accessory Items:**

FP 1/2	Temperature Freeze Device
WE-65	65 ft Repeater Cord Extension Kit
DL-HUB	Direct Light Hub Connection Kit
WPC-12V	12V Transformer for Fiberstars Light Streams LED Products





SAVE THESE INSTRUCTIONS!

## IMPORTANT SAFETY INFORMATION

Basic safety precautions should be observed when operating the WPC-1 product and other associated equipment.

1. A qualified electrician must install the WPC-1 in accordance to the National and Local Electrical Codes.
2. The WPC-1 must not be less than 5 feet (3 meters in Canada) from inside edge of pool. **ONLY USE COPPER CONDUCTORS.**
3. Do not exceed the maximum ratings of individual components, wiring devices, and current carrying capacity of conductors.
4. For the bonding, grounding, installing, and wiring of underwater lights to the WPC-1, refer to Article 680 of the National Electrical Code or Article 68 of the Canadian Electrical Code.
5. This device should never operate equipment that could cause property damage, bodily injury, or death should it be activated unexpectedly.
6. Never allow children to operate the WPC-1 unsupervised.

### ELECTRICAL RATINGS

Do not exceed the maximum electrical ratings of the WPC-1. A circuit breaker rated at 20Amps at 120VAC must be installed in the breaker panel to connect to the WPC-1 power input. Circuit 1 and Circuit 2 are each rated for use of up to 8Amps @ 120VAC. The Pump Relay is rated at a maximum of 3HP @ 240VAC.

## WARNING

- TURN OFF INCOMING POWER BEFORE SERVICING EQUIPMENT.
- ALL INSTALLATION AND MAINTENANCE WORK MUST BE PERFORMED BY QUALIFIED ELECTRICAL PERSONELL ONLY.
- VERIFY ALL ELECTRICAL RATINGS BEFORE INSTALLATION IS COMPLETE.

## LOCATION

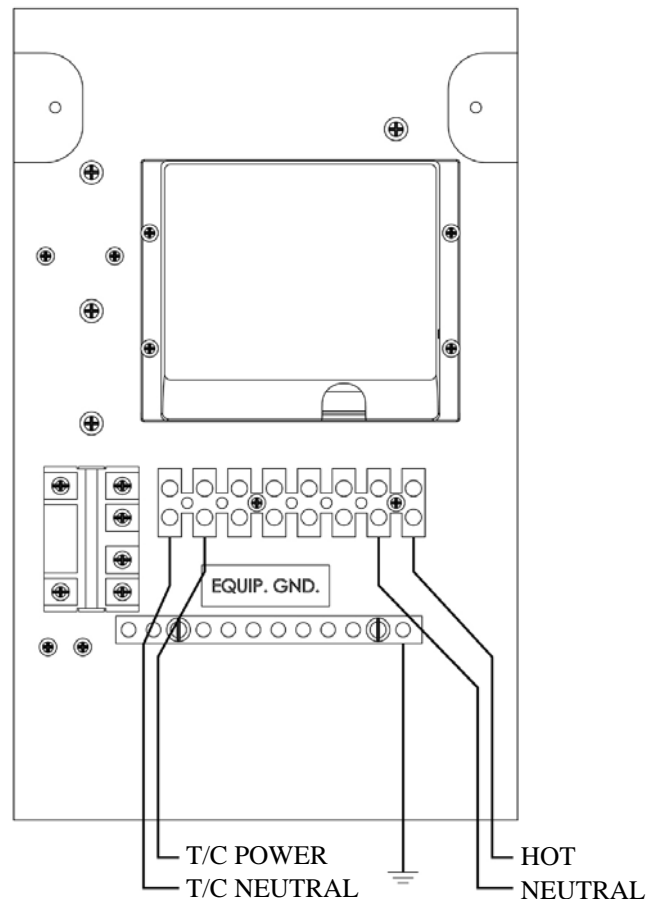
Install the WPC-1 enclosure using the mounting plates included with each enclosure. The WPC-1 is housed in a Type 3R rainproof enclosure and can be mounted anywhere between the pool equipment and the breaker panel.

# WIRING INSTRUCTIONS

FOLLOW PROPER WIRING PRACTICES IN ACCORDANCE WITH ALL LOCAL REGULATORY REQUIREMENTS.

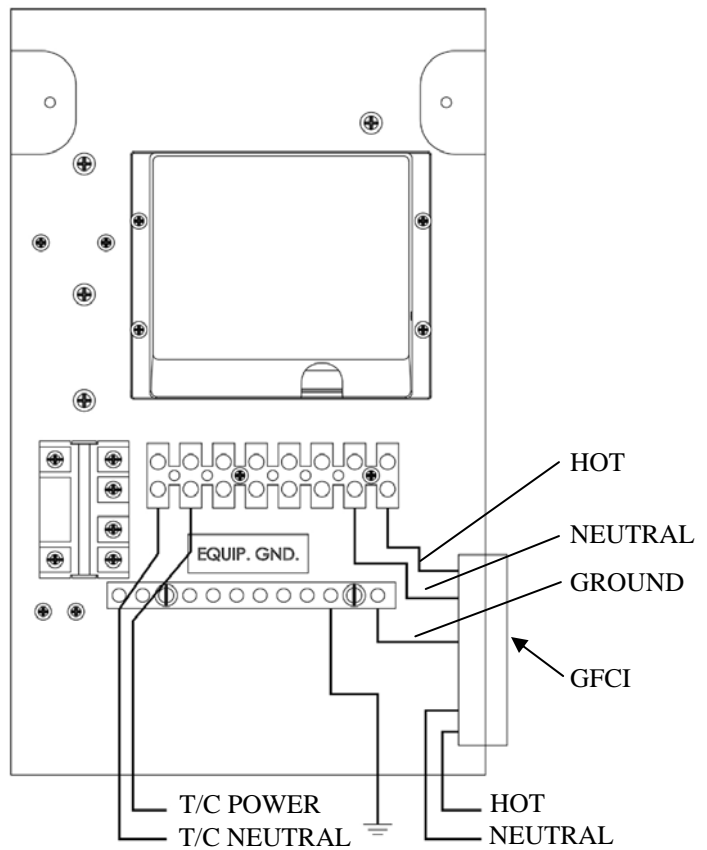
### Power Connections:

To wire the WPC-1 use insulated **COPPER** wire only, 12 gauge minimum. Run a 1/2" to 3/4" conduit from the main breaker panel to the WPC-1. Pull appropriate wires from the main breaker panel to the WPC-1 unit. To make power connections remove 3/8 inches of insulation from wire ends. Insert the bare end of wires under the pressure plate of terminals (Power Input, **HOT**). Use 1/8-in. flat head screwdriver to tighten terminal screws firmly (4.4 lb-in minimum). Connect the house common to the Power Inputs **NEUTRAL** terminal. Connect another **HOT** wire to the Timeclocks **T/C POWER** terminal. Connect a house common to the Timeclocks **T/C NEUTRAL**. Install a 20 Amp circuit breaker in the main breaker panel and connect the **HOT** wires from the WPC-1.



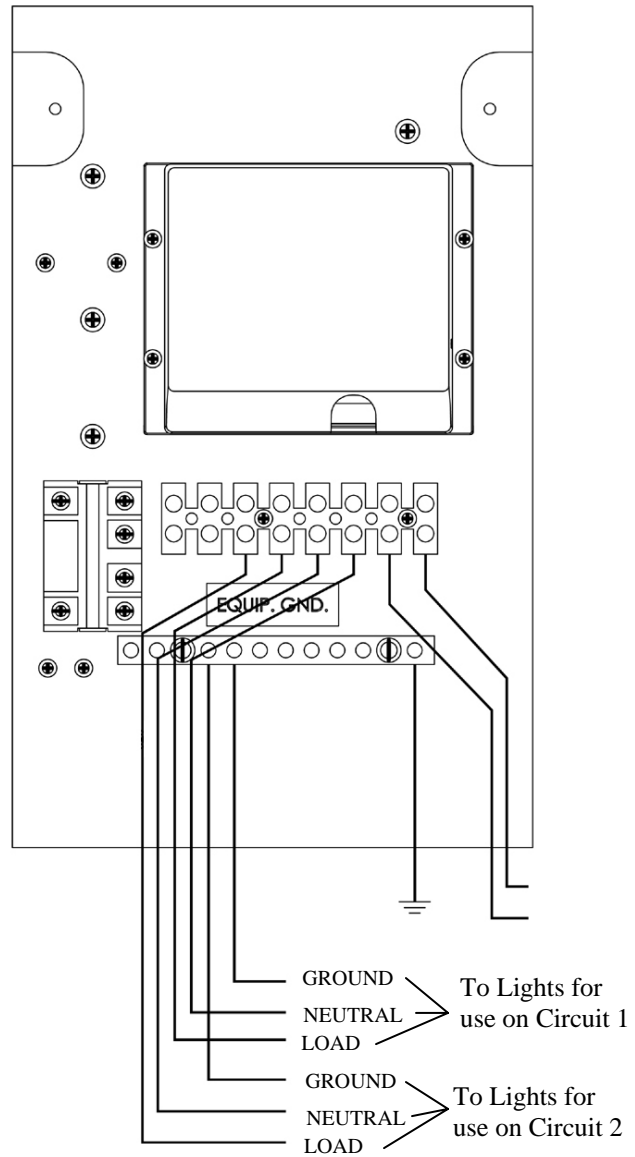
### Power Connection with GFCI

To wire the WPC-1 with the use of a GFCI, punch out the GFCI knockout on the side of the WPC-1 enclosure. Install an outdoor rated GFCI. Using **COPPER** wire only, 12 gauge minimum, connect the GFCI from the **LOAD** side to the **HOT** terminal on the **POWER INPUT** of the WPC-1. Connect the **NEUTRAL** from the **LOAD** side of the GFCI to the **NEUTRAL** terminal from the WPC-1. Connect the **GROUND** of the GFCI to the **EQUIP. GND.** bar. Wire the **HOT** from the GFCI's **LINE** side to the 20Amp circuit breaker in the main breaker panel as discussed earlier. Connect the **NEUTRAL** from the GFCI's **LINE** side to the house common. From the GFCI's **LINE** side, connect a wire from the **HOT** to the Timeclocks **T/C POWER** terminal. From the **NEUTRAL** of the **LINE** side on the GFCI, connect to the **T/C NEUTRAL** on the terminal block. **NOTE:** Do not connect the Timeclock Inputs to the **LOAD** side of the GFCI.



**Hooking up Lights to Circuit 1 and Circuit 2**

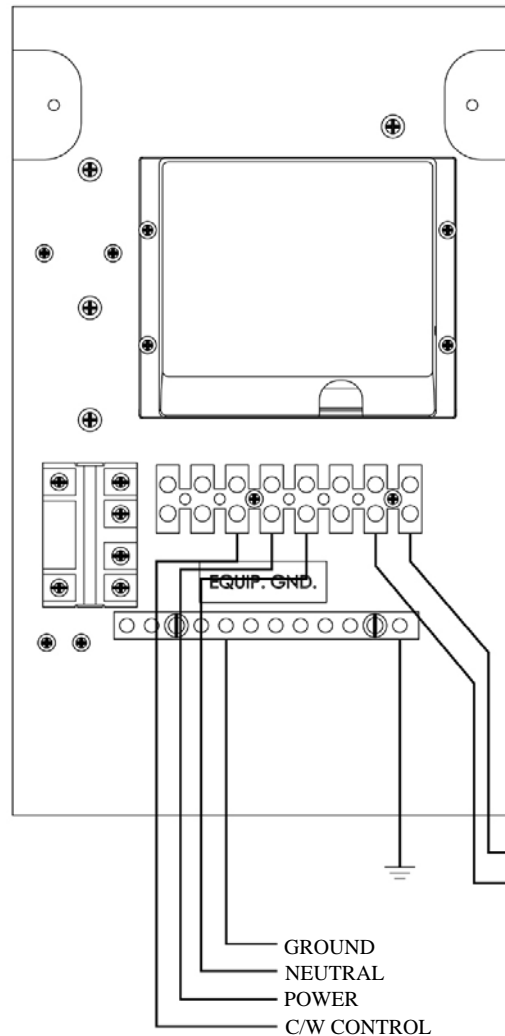
To connect a lighting product to the Circuit 1 and Circuit 2 switch, pull wires from the products to the WPC-1 through conduits connected to the bottom of the WPC-1. As illustrated, connect lights that will be operated by the Circuit 1 Switch to the Circuit 1 terminal. Connect the Neutral to the Neutral terminal. Connect the Ground to the Equip. GND. bar. Repeat for Circuit 2. Do not exceed 8Amps per circuit.



If this product is used to connect underwater lights directly, refer to 1999 NEC 680-21(b), 2002 NEC 680-24(b) or CEC 68-060, 062 and 066 for details.

**Connecting Jazz, Jazz-Spa, System 6004, and System 6004-AS\***

For proper operation of these products both Circuit 1 and Circuit 2 must be wired so that the power is controlled through Circuit 1 and the color wheels functions are controlled through Circuit 2. Follow each products installation manual for proper installation. Run appropriately rate wires from the unit to the WPC-1 no less then 12 Gauge COPPER wires. Connect the Power to the Circuit 1 terminal at one end and to the BLACK wire on the Fiberstars unit. Connect the neutral to the NEUTRAL terminal in the WPC-1 and to the WHITE wire on the Fiberstars unit. Connect the grounding cable to the EQUIP. GND. and on the other end to the GREEN cable. Finally, for synchronization operation, connect the C/W CONTROL cable to the Circuit 2 terminal and on the other end to the RED wire on the Fiberstars unit. You may connect up to 8Amps of Fiberstars units to Circuit 1.

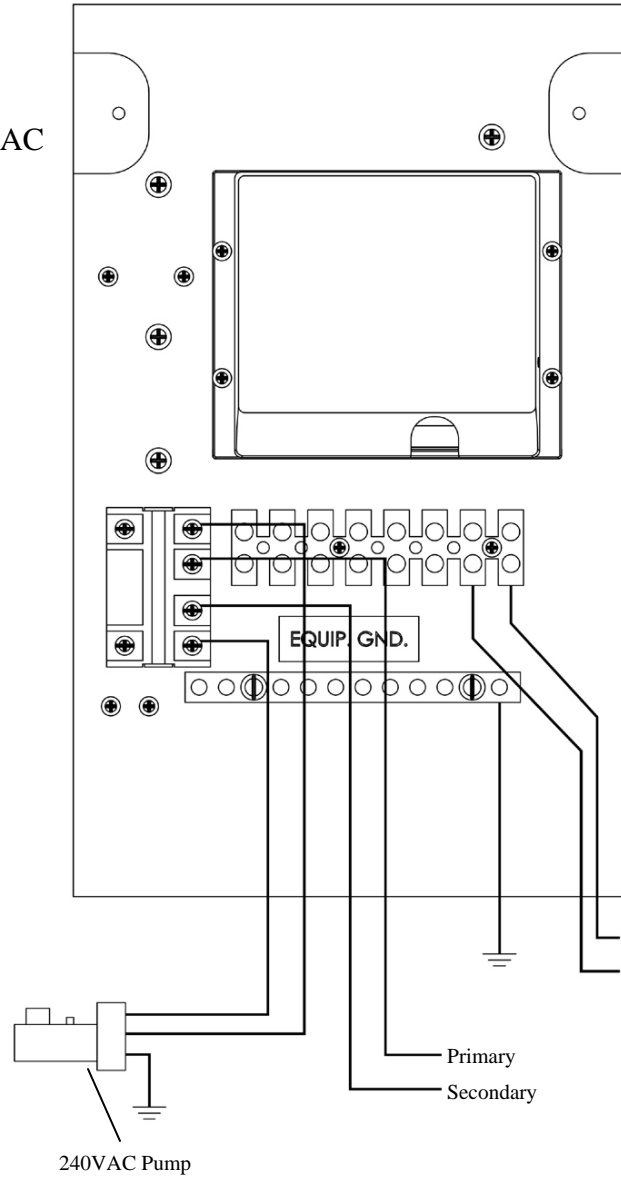


If this product is used to connect underwater lights directly, refer to 1999 NEC 680-21(b), 2002 NEC 680-24(b) or CEC 68-060, 062 and 066 for details.

\* Or other two button Power/Color system, ie. Pentair, Supervision, Fiberworks...

**CONNECTING A 240VAC PUMP**

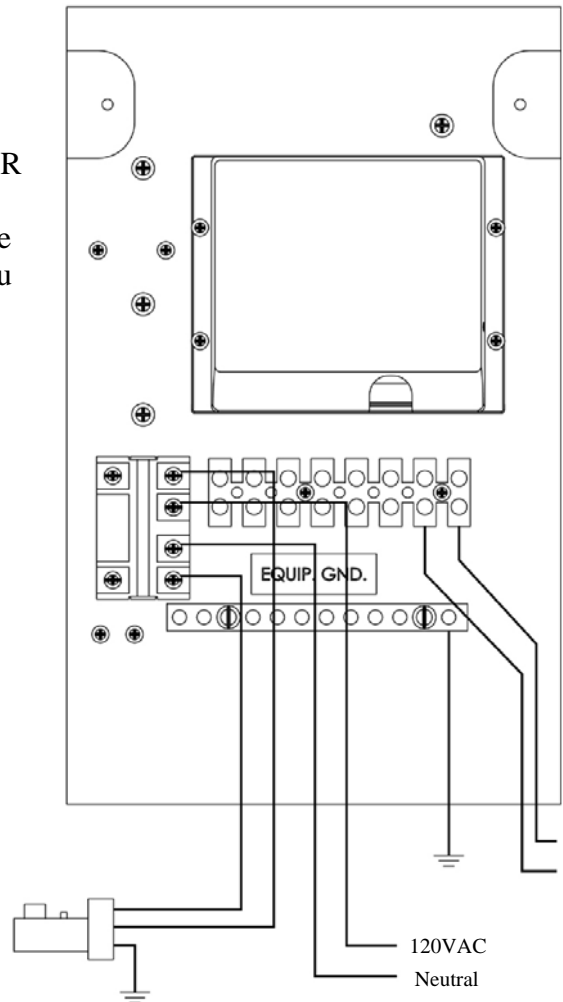
Connect the 240VAC pump to the relay as illustrated. Connect the Line Power to a 240VAC Circuit Breaker on the breaker panel.

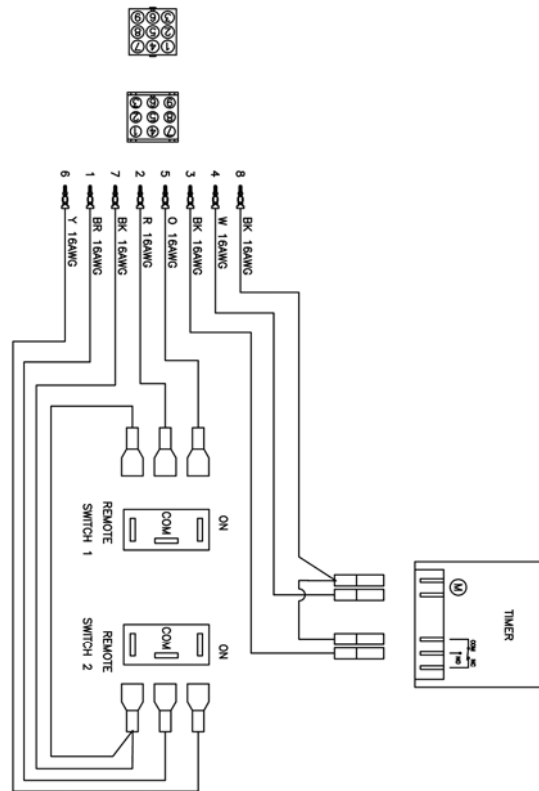
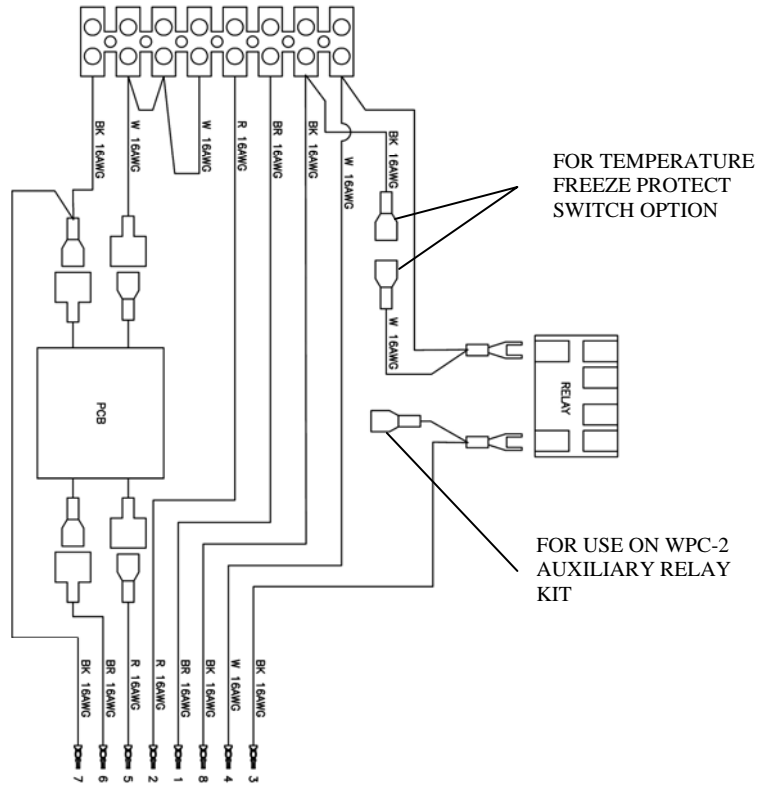




### CONNECTING A 120VAC PUMP

To wire a 120VAC pump to the Relay, connect the LOAD wire from the pump (as illustrated) to the Relay and a 120VAC power from an appropriate circuit breaker using no less than a 12 gauge COPPER wire at the breaker panel. Connect the NEUTRAL from the pump to the Relay and from the Relay to the NEUTRAL terminal (as illustrated). Alternately, you may connect the NEUTRAL from the pump directly to the NEUTRAL bar at the breaker panel.

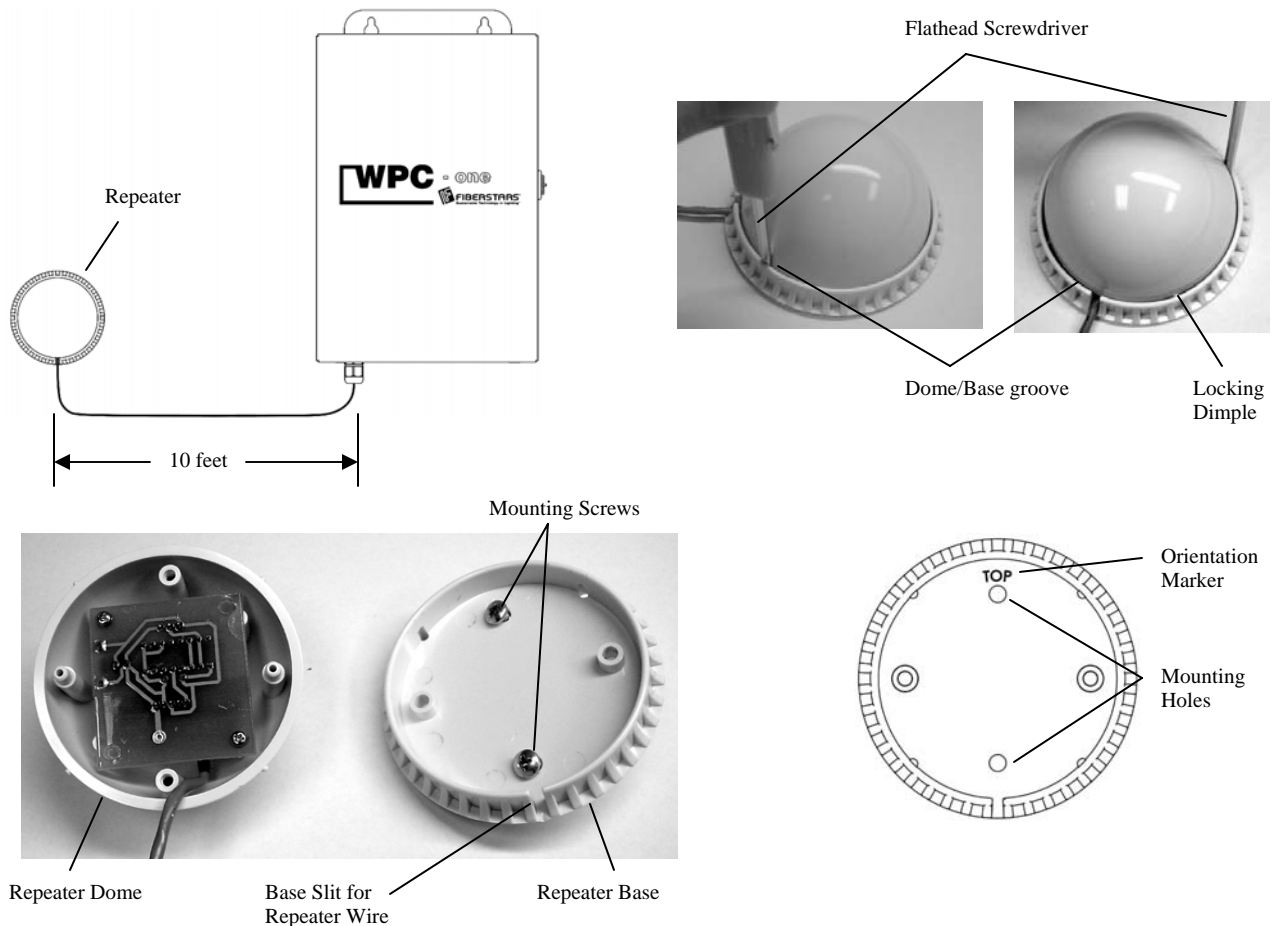




## Repeater Mounting

The WPC-1 is equipped with a signal repeater that can be mounted up to 10 feet from the WPC-1 unit. This repeater receives signals from the wireless remote and sends that signal to the WPC-1 via the 10 foot cable. Establish a location for the Repeater that is in line of sight from where the wireless remote will be used most frequently and that is no more than 75 feet from furthest where the remote will be used. NOTE: If extension is needed, use Fiberstars part number 94-15098-00 and follow installation instructions supplied with the Repeater Extension.

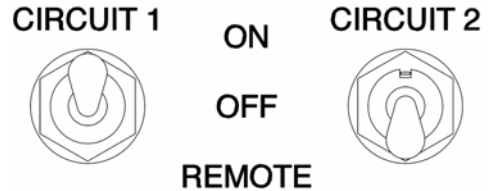
To mount the Repeater, carefully insert a small flathead screwdriver into groove between the Dome and Base approximately where the locking dimples are located. Pry the Dome out of one of the locking dimples. Then carefully insert the small flathead screwdriver into the groove between the Dome and the Base in an adjacent locking dimple and pry the Dome out. Then separate the Dome from the Base by hand. Using the supplied self-drilling screws, locate a suitable mounting surface and screw the base to this surface. Note that the marking “TOP” must be in the 12 o’clock position and the wire slit must be in the 6 o’clock position. Do not over tighten the screws as it may damage the Repeater base. Realign the Repeater Dome to the Base and ensure that the wire is exiting the base through the slit and the Locking Dimples are aligned with the locking holes. Apply enough pressure so that the Dome “snaps” into the base.



# OPERATING INSTRUCTIONS

## WPC-1 TOGGLE SWITCH OPERATION

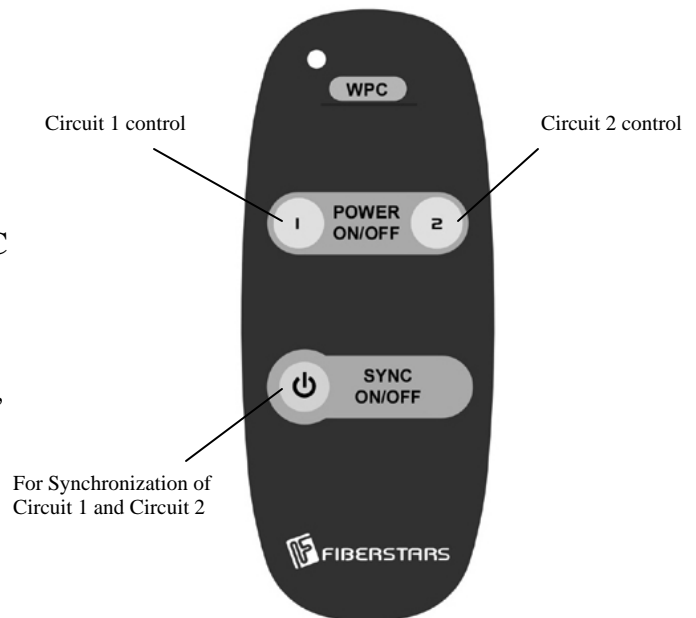
The WPC-1 receiver box houses two toggle switches. For operation with the wireless transmitter, the switches need to be in the DOWN or REMOTE position. To manually turn ON the devices connected to either Circuit 1 or Circuit 2, flip the toggle switches UP or to the ON position. When a circuit is in the ON position, the Wireless Remote will not be able to turn OFF the respective circuit. To turn OFF the devices manually, flip the respective toggle switch to the MIDDLE or OFF position. NOTE: In the OFF position, the wireless remote operation will be bypassed. To re-enable the wireless remote operation, flip the toggle switch back to the BOTTOM or REMOTE position. NOTE: If the units turn ON when the switch is returned to the REMOTE position, simply use the wireless remote to turn OFF the units if desired.



NOTE: Circuit 1 is in the ON position and Circuit 2 is in the REMOTE position

## WIRELESS REMOTE OPERATION

NOTE: The toggle switches on the WPC-1 must be set to REMOTE for wireless operation. The POWER ON/OFF buttons control the individual circuits independently. With each push of the button, the WPC-1 toggles the individual circuits from ON to OFF and vice versa. For Synchronization operation, simply push the SYNC ON/OFF button. NOTE: If all circuits are off when the SYNC ON/OFF button is pressed, all circuits will be turned to ON. If any one of the circuits are in the ON state by the wireless remote, then when the SYNC ON/OFF button is pressed all circuits will be turned OFF and the SYNC ON/OFF must be pressed to turn all circuits on simultaneously.

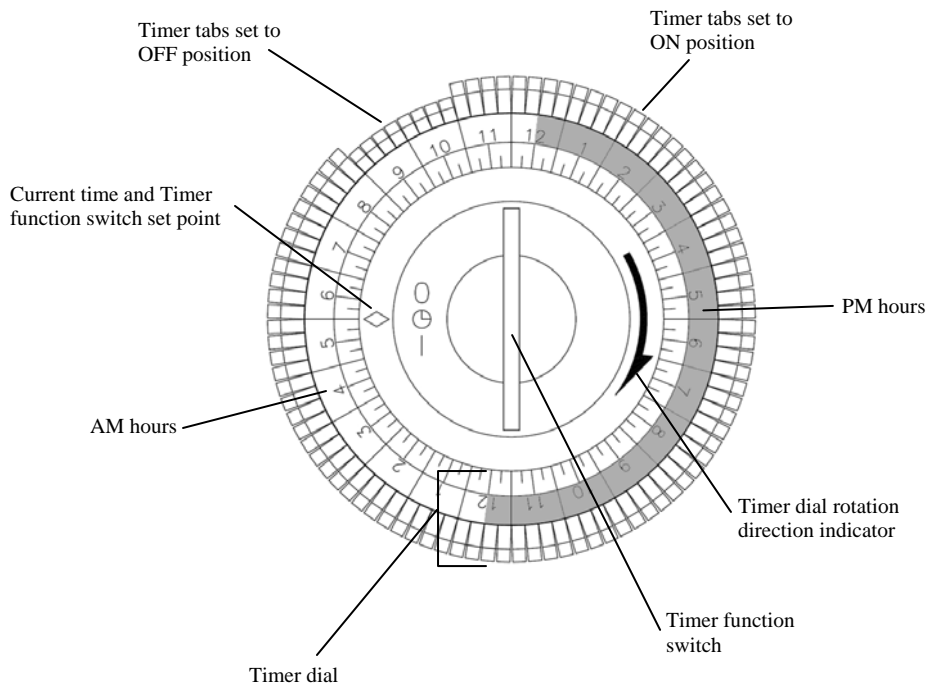


**TIMER OPERATION**

Set time to current time. In the example below, the current time is set for 5:30am. **NOTE:** Only turn the Timer dial clockwise or the timer will be damaged. Once the time has been set to the current time, set the hours of the Pump operation by “snapping” the timer tabs inwards towards the center. **NOTE:** Each tab represents 15 minutes of operation and tabs set inwards towards the center is for OFF operations and ON when the tabs are set outwards as illustrated. In the example below, the Pump will be off from 8:30am to 10:30am.

Once the time and time of operation has been set, ensure that the Timer function switch is set to Auto for timer control of the Pump. To turn off timers automatic functions, set the Timer function switch to OFF. To manually turn on the Pump, set the Timer function switch to the ON position. **NOTE:** When in the ON position, the Pump will continue to run until the Timer function switch is set to Auto where the tabs at the Set Point is in the OFF position or if the Timer function switch is rotated to the OFF position.

- 0 - OFF
- ⓐ - AUTO
- I - ON



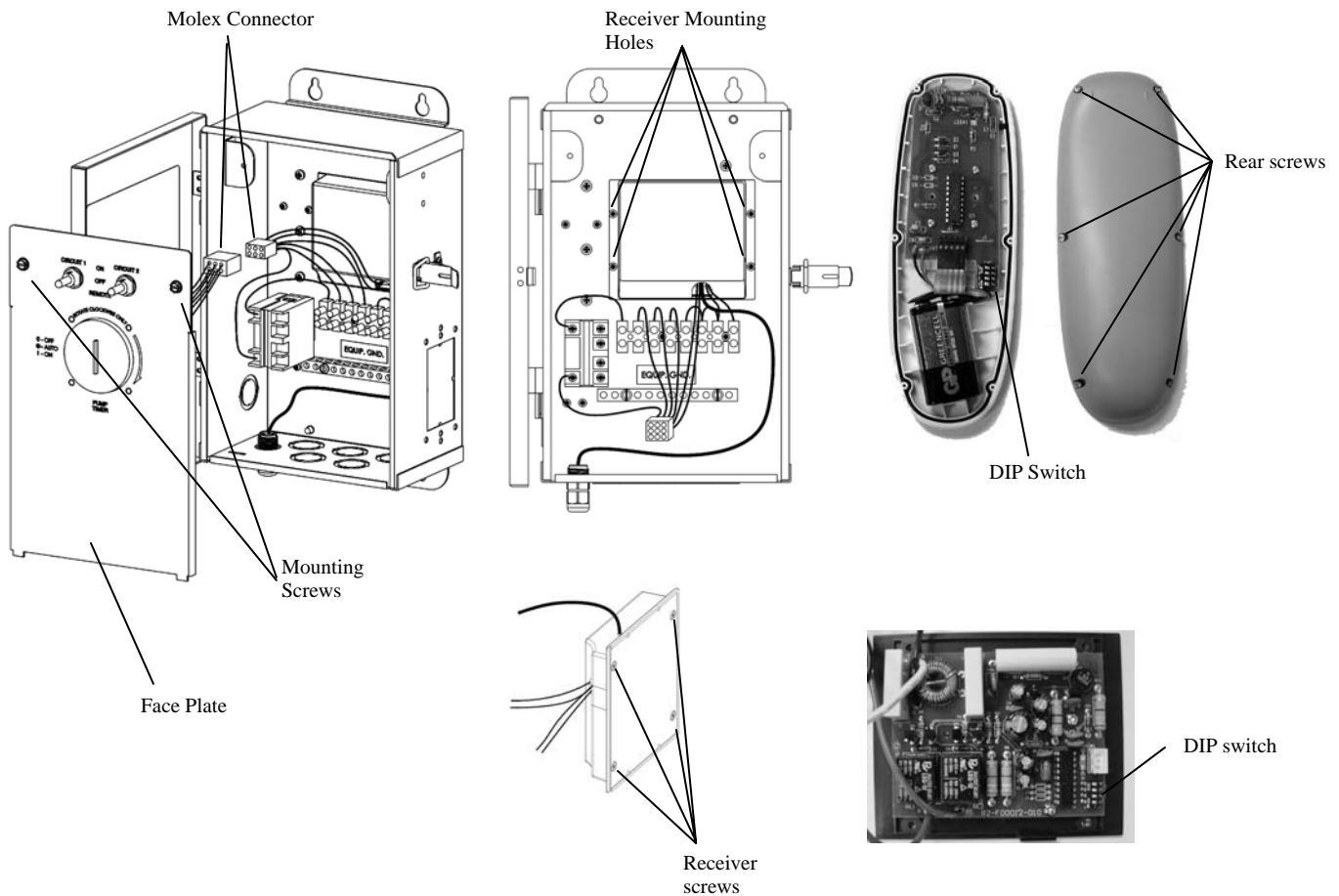
# CODE ADJUSTMENTS

If it is necessary to change the transmission code on the WPC-1 an adjustment to the receiver AND the transmitter DIP switches must be performed.

**RECEIVER DIP SWITCHES** – Turn OFF power to the WPC-1 from the breaker panel. Open the enclosure and unscrew the face plate. Disconnect the Molex connector that connects the front panel controls to the receiver unit and set the face plate on a safe location where it will not be bent, scratched, or impact forces applied to the components or the face plate itself. Unscrew the four (4) screws holding the receiver to the base of the WPC-1 control box. Unscrew the four (4) screws located on the back of the receiver to release the cover. NOTE: Take notice of how the wires enter and exit the receiver. Remove the cover and look on the PCB to locate the DIP switch as illustrated.

**TRANSMITTER DIP SWITCHES** – Remove all screws from rear of remote. Separate the bottom cover from the top cover.

**DIP SWITCH ADJUSTMENT** – The four DIP switches have an ON and an OFF position. Changing just one DIP switch will change the code. MAKE SURE BOTH THE RECEIVER AND TRANSMITTER HAVE THE SAME DIP SWITCH SETTINGS.



## WPC1-2X1X-X Wiring instructions

Two Speed Pump with Time Clock Bypass on Circuit 2

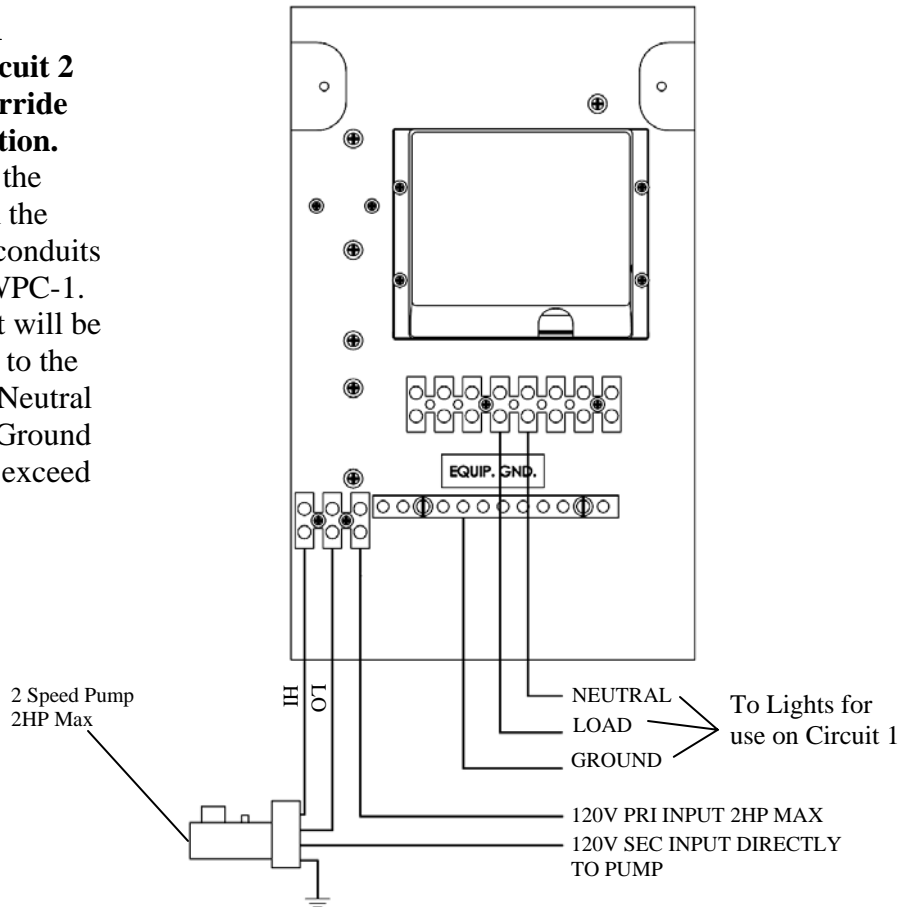
### Hooking up Lights to Circuit 1

**Note: WPC1-2X1X-X uses Circuit 2 for Low Speed and Timer Override function for High Speed operation.**

To connect a lighting product to the Circuit 1 switch, pull wires from the products to the WPC-1 through conduits connected to the bottom of the WPC-1. As illustrated, connect lights that will be operated by the Circuit 1 Switch to the Circuit 1 terminal. Connect the Neutral to the Neutral bar. Connect the Ground to the Equip. GND. bar. Do not exceed 7Amps per circuit.

### Hooking up the 2 Speed Pump.

As illustrated, connect the Low Speed wire to the Low Speed Load terminal on the terminal block. Connect the High Speed wire to the High Speed Load terminal on the terminal block. Connect the 120V Primary from the main panel board to the 120V PRI INPUT terminal. Directly connect the 120V Secondary from the main panel board to the 2 Speed Pump.



**NOTE: Pump Breaker MUST be turned OFF before servicing as 2<sup>nd</sup> leg of 240V circuit is HOT at all time!**

If this product is used to connect underwater lights directly, refer to 1999 NEC 680-21(b), 2002 NEC 680-24(b) or CEC 68-060, 062 and 066 for details.

**Note: Circuit 2 is pre-wired. There is no connections or external wiring.**

# WPC1-2XXX-X Wiring instructions

Two Speed Pump

**Hooking up a 2 Speed Pump to the WPC1-2XXX-X. Note: WPC1-2XXX-X runs the 2 Speed Pump on low speed continuously until Timer activates High Speed mode.**

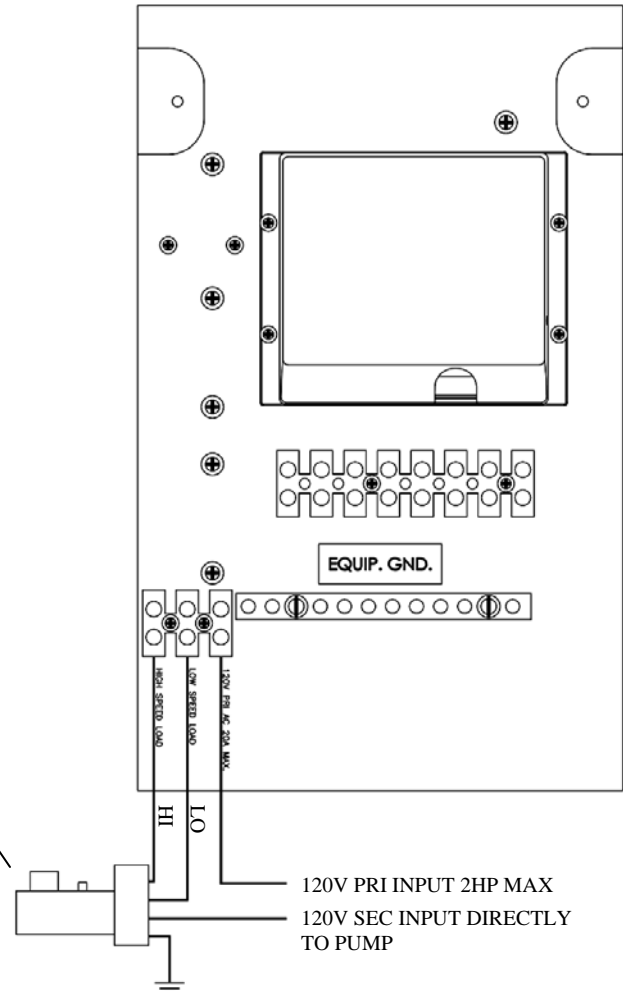
As illustrated, connect the Low Speed wire to the Low Speed Load terminal on the terminal block. Connect the High Speed wire to the High Speed Load terminal on the terminal block. Connect the 120V Primary from the main panel board to the 120V PRI INPUT terminal. Directly connect the 120V Secondary from the main panel board to the 2 Speed Pump.

NOTE: The Secondary 120V must be directly connected to the pump for 240V operation.

2 Speed Pump  
2HP Max

**NOTE: Pump Breaker MUST be turned OFF before servicing as 2<sup>nd</sup> leg of 240V circuit is HOT at all time!**

If this product is used to connect underwater lights directly, refer to 1999 NEC 680-21(b), 2002 NEC 680-24(b) or CEC 68-060, 062 and 066 for details.



**Note: Circuit 2 is pre-wired. There is no connections or external wiring.**

**For Light wiring instructions, please see pages 6 and 7.**



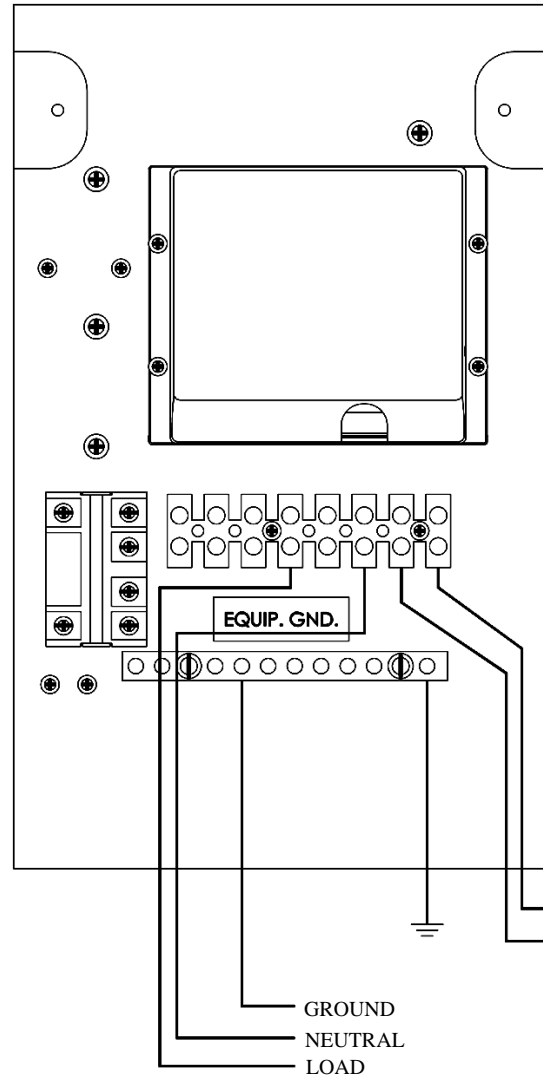
## WPC1-XX1X-X Wiring instructions

Single Speed Pump with Time Clock Bypass on Circuit 2

### Hooking up Lights to Circuit 1

**Note: WPC1-XX1X-X uses Circuit 2 for Timer Override function.**

To connect a lighting product to the Circuit 1 switch, pull wires from the products to the WPC-1 through conduits connected to the bottom of the WPC-1. As illustrated, connect lights that will be operated by the Circuit 1 Switch to the Circuit 1 terminal. Connect the Neutral to the Neutral bar. Connect the Ground to the Equip. GND. bar. Do not exceed 7Amps per circuit.



If this product is used to connect underwater lights directly, refer to 1999 NEC 680-21(b), 2002 NEC 680-24(b) or CEC 68-060, 062 and 066 for details.

**Note: Circuit 2 is pre-wired. There is no connections or external wiring.**

**For Pump wiring directions, please see pages 8 and 9.**

# WPC1-XX3X-X Wiring instructions

## Booster Pump on Circuit 2

### Hooking up Lights to Circuit 1

**Note: WPC1-XX3X-X uses Circuit 2 for Booster Pump operation.**

To connect a lighting product to the Circuit 1 switch, pull wires from the products to the WPC-1 through conduits connected to the bottom of the WPC-1. As illustrated, connect lights that will be operated by the Circuit 1 Switch to the Circuit 1 terminal. Connect the Neutral to the Neutral bar. Connect the Ground to the Equip. GND. bar. Do not exceed 7Amps per circuit.

### Hooking up the Filter Pump.

See page 8 of the Installation Manual for Filter Pump wiring.

### Hooking up the Booster Pump.

From a subpanel, bring in wires connected to a 240V relay to the WPC-1 box. Connect one leg to the Primary Input and connect the second leg to the Secondary Input. Connect the pump to the Load terminals.

If this product is used to connect underwater lights directly, refer to 1999 NEC 680-21(b), 2002 NEC 680-24(b) or CEC 68-060, 062 and 066 for details.

**Note: Circuit 2 is pre-wired. There is no connections or external wiring.**

