

# Fiberstars JAZZ™

---

## J400AS (AUTO SYNC)



# Owners Manual



[www.fiberstars.com](http://www.fiberstars.com)

# CAREFULLY READ AND FOLLOW ALL SAFETY INSTRUCTIONS IN THIS MANUAL AND ON THE LIGHT AND ASSOCIATED EQUIPMENT.

**⚠ WARNING** **HAZARDOUS VOLTAGE** Incorrectly installed equipment may fail, causing severe injury or property damage.

Have a certified electrician perform all tests before operating equipment.

**⚠ CAUTION** To prevent the risk of damage or injury, do not operate the light out of water for more than 15 minutes. Allow the light to cool down before installing underwater.

## ATTENTION

Fiberstars JAZZ and FX Series Wet-Niche Lighting Fixtures for Swimming pools are now ETL Classified for use with the following manufactures Wet-Niches for use in new Pool construction. PENTAIR, (American) model no. 79206700 (ABS), model no. 7821XXXX (S/S), 7823XXXX (S/S), model no. 620004 (ABS) HAYWARD, model no. SP0607U (ABS, Vinyl) SP0600U (ABS, Concrete)

ETL Classification Report No. 3040481

## ATTENTION

FIBERSTARS FX LIGHTS ARE UL LISTED FOR USE IN STA-RITE WET NICHE TYPE FIXTURE ONLY. Model numbers, (S/S) 05161-2352, 05161-2353, 05161-2354, 05161-2355, 05161-2356, 05161-2357, 05161-2358, 05161-2359, 05161-2360, 05161-2361, 05161-2362, 05161-2363, 05161-2364, 05161-2365, 05161-2366, 05161-2367, 051161-2368, 05161-2369, (ABS) 05163-2394, 2395 & 2396

UL File No. E220601

**⚠ WARNING** **Risk of electrical shock.** Before removing fixture from pool wall, ALWAYS TURN OFF THE POWER at the breaker.

Install this light and light niche in accordance with Article 680 of the National Electrical Code (NEC), in the United States.

Install an approved Ground Fault Circuit Interrupter in the electrical circuit for this light.

All devices in the system must be directly grounded to a positive electrical ground. All devices in the system must meet all applicable code requirements for bonding.

**⚠ CAUTION** Operating pool light at a reduced voltage will diminish the lighting of your pool during nighttime use. Failure to provide adequate lighting may result in swimming and diving hazards which can cause severe injury or death

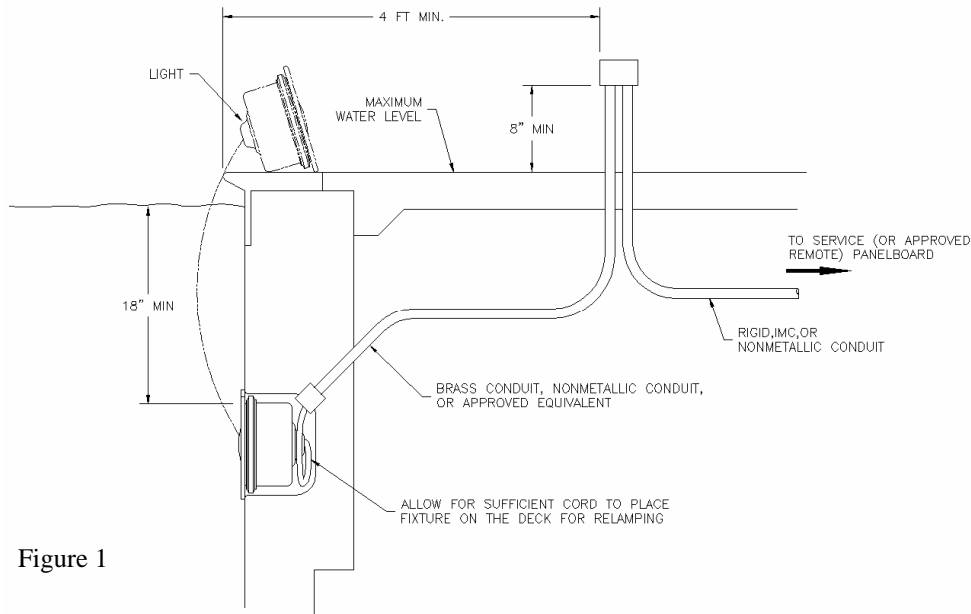


Figure 1

Install fixture in a vertical pool or spa wall – not in floor. Failure to install the fixture properly could result in personal injury and/or property damage.

Except when the fixture is installed in an area of the swimming pool that is not used for swimming and the lens is adequately guarded to keep any person from contacting it, the fixture shall be installed in or on the wall of the pool with the top of the lens not less than 18 in. below the normal water level of the pool; see Figure 1.

The junction box must be located:

- At least 4' from the perimeter of the pool (unless separated from the pool by a solid fence, wall or other permanent structure,
- At least 8" above maximum water level,
- At least 4" above the deck or ground level.

Junction boxes should be located off the walkway around the pool and given additional protection by installing them next to a fence, building, or other permanent structure. Make sure that the installation is in compliance with local codes, and the NEC.

A Ground Fault Circuit Interrupter (GFCI) and an appropriately rated circuit breaker shall be installed in the branch circuit supplying power to fixtures so that there is no shock hazard during re-lamping.

### Lamp Housing Installation

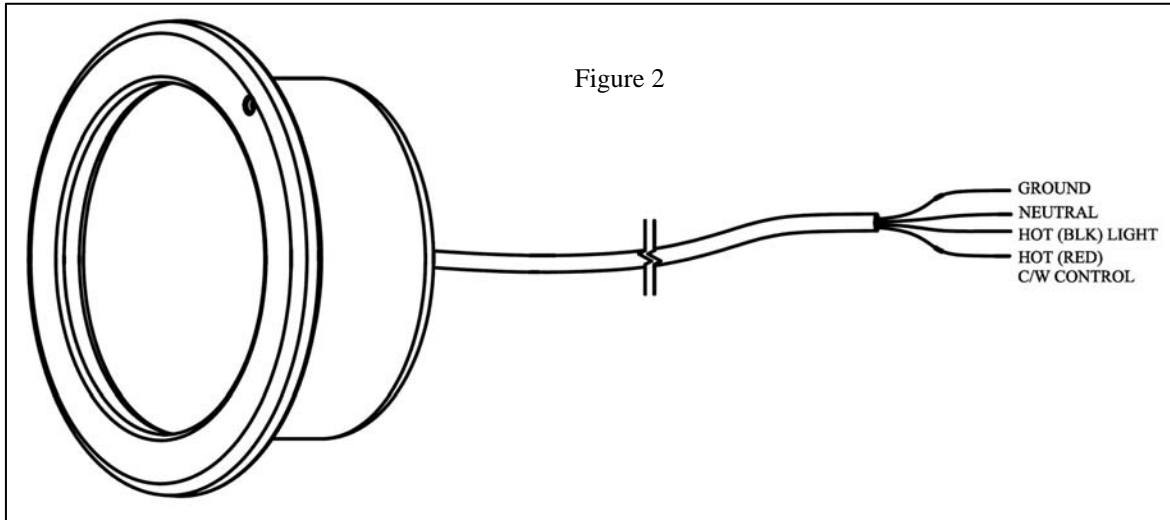
**⚠ CAUTION** Glass breakage hazard. Do not push off from the poolside against the light.

**NOTE:** For the J400AS 4 wires must be supplied to the junction box from the power supply.

### Light Fixture Installation

1. Before installing light fixture, make sure power to light is off.
2. Feed cord through niche and conduit, while light fixture is on deck area right above the niche. Feed cord to junction box leaving enough cord, about 3' to allow fixture to be placed on deck to allow relamping.
3. Make connections in the junction box (see Figure 2).

**NOTE:** The Auto Sync color wheel control wires must all be operated by one switch or relay for the synchronization to work.



4. Insert cord into the niche and place the lamp housing in the niche. Be sure that the locator tab on the bottom of the lamp housing is in the notch at the bottom of the niche.
5. Insert the top screw into top hole on niche and tighten.

## MAINTENANCE

**⚠ WARNING** **Hazardous voltage.**

**⚠ WARNING** **Electrical shock hazard.** Before removing fixture from pool wall, ALWAYS TURN OFF THE POWER at the breaker. Installation and maintenance of this circuit, the light, light niche, and any other accessories attached to this circuit must be performed by a licensed electrician. The complete electrical system must be installed, tested, and approved by a licensed electrician before it is placed in operation.

**⚠ WARNING** **Risk of cuts, burns, and electrical shock.** Avoid direct impacts on glass lens. Do not install damaged or broken lens.

1. Be sure that the power is off. Allow the lamp to cool before re-lamping.
2. Loosen the captive leader screw from the top of the fixture trim ring.

**NOTICE:** The screw in the trim rim may be recessed.

3. Remove the lamp housing and place on the pool deck.
4. Remove screw from clamp.
5. Replace gasket. To reassemble the lens assembly to the lamp housing, reverse the disassembly process. Be sure that the lamp housing is clean, dry, and free of all traces of moisture, before sealing the fixture.
6. Insert cord into niche and place the lamp housing back in the niche. Be sure to align the locator tab at the bottom of the lamp housing with the notch in the bottom of the niche.
7. Fasten the lamp housing into the niche using the captive leader screw at the top of the trim ring.

Risk of Electrical Shock or Electrocution.

This fixture must be properly installed in accordance with the National Electrical Code and all applicable local



codes and ordinances by a certified or licensed Electrician. Failure to do so may result in serious injury to occupants, installers, or cause property damage due to the resulting electrical hazards. Read and follow all instructions.

Volt and Amp rating for the J400AS is as follows, 120 Volts, 84 Watts max., 2.0 Amps

### **Control Options for the J400AS.**

**NOTE: Metal Halide is not dimmable!**

#### **A. Switch Controlled.**

1. The J400AS Jazz color light must be controlled with two switches. See Figure 2.
2. When using multiple J400AS lights together (synchronized), all Black Wires (Light) must be run to a common switch and all Red Wires (Colorwheel) must be run to a common switch. For operation instructions, see below.

#### **B. Jandy RS Controlled or comparable control system.**

1. The J400AS Jazz color version requires two **NON -Dimming** relays. One relay for the lamp (Black Wire) and one relay for color wheel control (Red Wire). See Figure 2.
3. FWhen using multiple J400AS lights together (synchronized), all Black Wires (Light) must be run to a common switch and all Red Wires (Colorwheel) must be run to a common switch. For operation instructions, see below.

#### **C. Fiberstars RM-400 Wireless Remote Control (Maximum 2 units per RM-400) – See RM400 Instruction Sheet for installations directions.**

#### **D. SPECIAL NOTE FOR X-10 CONTROL**

The lowest **possible** signal that can make a module respond properly is 150mV. Please refer to the X-10 installation manual. Contact X10PRO for troubleshooting operation.

### **J400AS Auto Sync Operation**

- A. Before operating, make sure both the power and color wheel switches are in the off position. (If the color wheel switch is on when the power switch is activated the JAZZ units will not sync.)
  1. Switch the power on. (It will take 2-3 minutes for the Metal Halide lamp to come to its full level of brightness.) The Auto Sync units color wheels will rotate to their home position on White. This action takes about 15 seconds.
  2. Switch on the color wheels. The JAZZ AS units are now in sync.
  3. When shutting down the system always turn the color wheels off. This will allow the color wheels to reset to their home position the next time the lights are turned on.

## Section V. Replacing lamp only, see Figure 3.

### Risk of Electrical Shock or Electrocution.



Always disconnect the power to the pool light at the circuit breaker before servicing the light. Failure to do so could result in death or serious injury to serviceman, pool users or others due to electrical shock.

1. Turn off main electrical switch or circuit breaker, as well as the switch, which operates the underwater light, itself.
2. You will need to get the following items.
  - a. Jazz replacement lamp, J20-4000 (Includes lens gasket)

**⚠ WARNING** Always install a new lens gasket (part number J30-7000) whenever disassembling the light. Failure to do so may permit water to leak into the assembly which could cause:

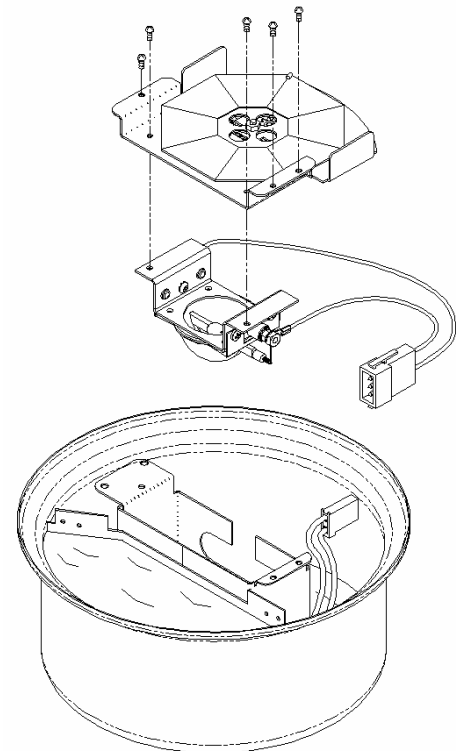
- (a) an electrical hazard resulting in death or serious injury to pool users, installers, or others due to electrical shock, or
- (b) breakage of the lamp or lens, which likewise could result in serious injury to pool users, installers, or bystanders, or in damage to property.

3. To remove light assembly, remove the special pilot screw at top of face ring, remove light assembly from niche, and gently place assembly on deck. You are not required to drain down the pool.

**⚠ WARNING** Jazz Light is heavy. Use caution when removing and installing into the pool niche. **Do not drop; this may damage the light fixture.**

**⚠ WARNING** Be sure to keep the special pilot screw from this underwater light. This screw mounts and electrically grounds the housing securely to the mounting ring and wet niche. Failure to use the screw provided could create an electrical hazard, which could result in death or serious injury to pool users, installers or others due to electrical shock.

4. Disassemble light fixture and remove bulb.
  - a. Disassemble fixture by removing outer clamp ring and lens.
  - b. Using a small Phillips screwdriver, remove the two screws holding the lamp assembly and the three screws holding the lamp / color wheel bracket assembly and place in a secure location, see Figure 3. **Do not remove any screws other than the ones specified in Figure 3.**
  - c. Disconnect lamp at plug, see Figure 3.
  - d. For the J400AS, place the bracket outside the can using care not to damage the color wheel wires or the color wheel.



**⚠ WARNING** Be sure the power is OFF before installing or removing lamp. Allow the lamp to cool before relamping. This light fixture uses a Metal Halide lamp. Use care when replacing lamp not to touch the lamp or reflector. Handle only the lamp bracket. Failure to do so may severely reduce the lamp life.

5. Install the new lamp
  - a. Replace the lamp assembly – noting the side the screw holes are on – assembly goes together only one way.
  - b. Reassemble lamp assembly by following steps 1 thru 5 in reverse order.
5. Remove old gasket from lens and discard it.
6. Install new gasket during reassembly of light, Fiberstars part number J30-7000.

**NOTE: DO NOT USE ANY LUBRICANTS WHEN INSTALLING THE LENS GASKET!**

**⚠ CAUTION** To prevent the risk of damage or injury do not operate fixture on the deck of Pool or Spa for more than 15 minutes. Allow fixture to cool down before installation.

8. Align the letter “E” of the word before on the surface of the lens with the pilot screw hole on the face ring for proper lens orientation.
9. Secure ring to light fixture. See Section VI. Stainless Steel Face Ring Assembly Instructions.
10. Replace light assembly into niche and tighten special pilot screw.

**⚠ WARNING** Use only the special pilot screw provided with this underwater light. This screw mounts and electrically grounds the housing securely to the mounting dnng and wet niche. Failure to use the screw provided could create an electrical hazard, which could result in death or serious injury to pool users, installers or others due to electrical shock.

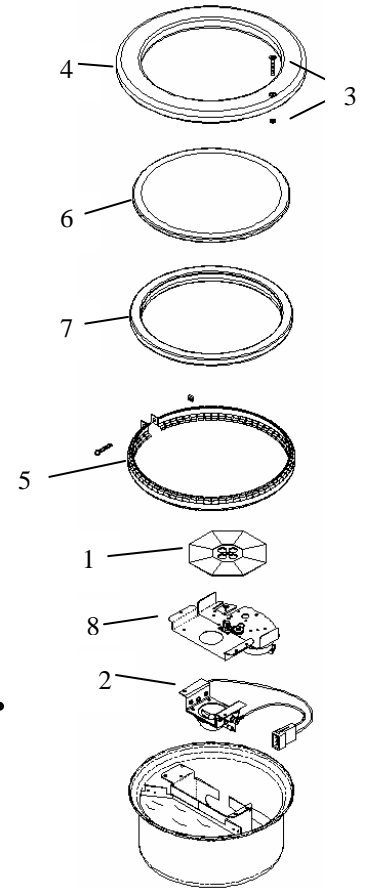
## **Section VI. Stainless Steel Face Ring Assembly Instructions.**

Replace lens gasket. A NEW LENS GASKET MUST BE USED EACH TIME THE LIGHT IS REASSEMBLED.

**NOTE: DO NOT USE ANY LUBRICANTS WHEN INSTALLING THE LENS GASKET!**

1. With the light resting on its base, place lens/gasket assembly on light fixture and position the face ring so the pilot screw on the face ring aligns with the letter “E” of the word “BEFORE” on the surface of the lens.
2. Install the compression clamp over the lens, gasket, and base assembly. Tighten the screw and nut until the distance between the ends of the clamp equals 3/8 – 1/2 inch.

Item No.	Part No.	Description
1	J10-1000	Color Wheel (non-sync)
1	J10-2000	Color Wheel (sync)
2	J20-2000	Lamp Kit, 50W Metal Halide (Includes replacement gasket #7)
3	J30-3000	Pilot Screw, with captive neoprene washer
4	J30-4000	Face ring, Stainless Steel
5	J30-5000	Compression Clamp
6	J30-6000	Lens, <i>Fiberstars</i> , 8-3/8 in. dia., tempered
7	J30-7000	Gasket, Lens
8	FX-8000	Non-Sync Color Wheel Motor Assembly



**SAVE THESE INSTRUCTIONS.**