

OWNER'S MANUAL

Swimming Pool Pump



READ THIS MANUAL CAREFULLY BEFORE USING THE SPECK PUMP

Important Notice: This manual contains important information about the installation, operation and safe use of this product. This information should be given to the owner and/or operator of this equipment.

WARNING: *This product must be installed and serviced by a qualified pool professional, and must conform to all national, state, and local codes.*

WARNING: *Before installing this product, read and follow all warning notices and instructions which are included. Failure to follow safety warnings and instructions can result in severe injury, death, or property damage. Call (800) 223-8538 or visit www.usa.speck-pumps.com for additional copies of these instructions.*

IMPORTANT SAFETY INSTRUCTIONS

When installing and using this electrical equipment, basic safety precautions should always be followed, including the following:

1. READ AND FOLLOW ALL INSTRUCTIONS.

2. WARNING - To reduce the risk of injury, do not permit children to use this product unless they are closely supervised at all times.

3. WARNING - Risk of Electrical Shock. Connect only to a branch circuit protected by a ground-fault circuit interrupter (GFCI). Contact a qualified electrician if you cannot verify that a circuit is protected by a GFCI.

4. WARNING - To reduce the risk of electric shock, replace any damaged cord immediately.

5. DO NOT install within an outer enclosure or beneath the skirt of a hot tub or spa.

6. CAUTION - This pump is for use with permanently-installed pools and may also be used with hot tubs and spas if so marked. **DO NOT** use with storable pools. A permanently-installed pool is constructed in or on the ground or in a building such that it cannot be readily disassembled for storage. A storable pool is constructed so that it is capable of being readily disassembled for storage and reassembled to its original integrity.

7. The unit must be connected only to a supply circuit that is protected by a ground-fault circuit-interrupter (GFCI). Such a GFCI should be provided by the installer and should be tested on a routine basis. To test the GFCI, push the test button. The GFCI should interrupt power. Push the reset button. Power should be restored. If the GFCI fails to operate in this manner, the GFCI is defective. If the GFCI interrupts power to the pump without the test button being pushed, a ground current is flowing, indicating the possibility of an electric shock. Do not use this pump. Disconnect the pump and have the problem corrected by a qualified service representative before using.

8. TO REDUCE RISK OF ELECTRICAL SHOCK, A copper bonding connector (8 AWG) is provided for bonding the motor to all metal parts of the swimming pool, spa, or hot tub structure and to all electrical equipment, metal conduit, and metal piping within 5 feet of the inside walls of a swimming pool, spa, or hot tub, when the motor is installed within 5 feet of the inside walls of the swimming pool, spa, or hot tub.

NOTE: To installer and/or operator of the Speck Swimming Pool Pump; the manufacturer's warranty will be voided if the pump is improperly installed and/or operated.

9. SAVE THESE INSTRUCTIONS!

SECTION 1 EQUIPMENT OPERATION AND MAINTENANCE

1/1 LOCATION

1. Locate the pump as close to the pool as practical. Consult local codes for minimum distance between pool and pump.
2. The piping should be as direct and free from turns or bends as possible, as elbows and other fittings greatly increase friction losses.
3. Place pump on a solid foundation which provides a rigid and vibration-free support so that it is readily accessible for service and maintenance.
4. Though the pump is designed for outdoor use, it is advised to protect the pump from continuous direct heat. Install the pump in a well ventilated location protected from excessive moisture (flooding, sprinklers, rain downspouts, etc.).
5. Protect the pump against flooding and excess moisture, prevent foreign objects from clogging air circulation around motor. All motors generate heat that must be removed by providing proper ventilation.
6. **DO NOT** store or use gasoline or other flammable vapors or liquids in the vicinity of this pump. **DO NOT** store pool chemicals near the pump.
7. **DO NOT** remove any safety alert labels such as **DANGER**, **WARNING**, or **CAUTION**. Keep safety labels in good condition and replace missing or damaged labels.
8. Provide access for future services by leaving a clear area around the pump. Allow plenty of space above the pump to remove lid and basket for cleaning.

1/2 INSTALLATION

1. This pump is designed as a direct replacement for pumps made by several manufacturers. It can also be installed as a new pump with easy to connect unions. Refer to Figure 1 & Table 1 for various connection options.
2. Use Figure 1 to select the appropriate suction fitting (part# 153), discharge fitting (part# 156), pump risers (part# 182.1 & 182.2), and motor supports (part# 920/921).
3. Install the 76 x 6mm o-ring (part #918) on the back of suction fitting. Secure the suction fitting to the front of the pump casing (part #101) using four (4) 6 x 22mm tapping screws (part #917).

CAUTION: Screws should be **HAND TIGHT. DO NOT** use drills or pneumatic tools. **DO NOT** over tighten!

4. Install the 70 x 6mm o-ring (part# 919) on the back of the discharge fitting. Secure the discharge fitting to the top of the pump casing (part# 101) using four (4) 6 x 22mm tapping screws (part# 917). **CAUTION:** Screws should be **HAND TIGHT. DO NOT** use drills or pneumatic tools. **DO NOT** over tighten!

5. Insert the pump risers (part# 182.1 & 182.2) into base plate (part# 894). See Exploded View.

6. Insert the motor supports (part #920/921) into the base plate (part #894). See Exploded View.

7. When connecting pipework to pump with threaded ports it is recommended that thread seal tape be used. If the suction pipe is not sealed correctly, the pump will not prime properly and will pump small volumes of water or none at all.

8. When installing the pump, care should be taken to see that the suction line is below water level to a point immediately beneath the pump to ensure quick priming via a flooded suction line. The height between the pump and the water level should not be more than five (5) feet.

BONDING: As required by National Electrical Code Article 680-22, the pump motor must be electrically bonded to the pool structure (reinforced bars, etc.) by a solid copper conductor not smaller than #8 AWG (8.4 mm²) wire via the external copper bonding lug on the pump motor.

GROUNDING: Permanently ground the pump motor using a conductor of appropriate size. Connect to the #10 green headed ground screw provided inside the motor terminal box.

For more information about the motor operation refer to the motor manual.

NOTE: DO NOT connect to electric power supply until the unit is permanently grounded

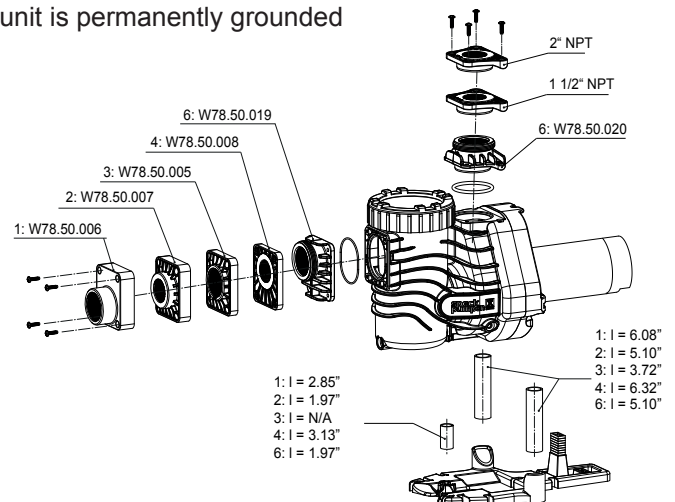


Figure 1.0 - Replacement Pump Connection Options

SECTION 1 EQUIPMENT OPERATION AND MAINTENANCE

Option #	Suction Fitting	Discharge Fitting	Replaces Pump Model(s)
1	W78.50.006	1.5" or 2" NPT	Pentair® Ultra-Flow®
2	W78.50.007	1.5" or 2" NPT	Pentair® WhisperFlo® & IntelliFlo®
3	W78.50.005	1.5" or 2" NPT	Hayward® Super Pump® & Super Pump VS®, Pentair® SuperFlo®
4	W78.50.008	1.5" or 2" NPT	STA-RITE® Dura-Glas & Max-E-Glas™
6	W78.50.019	W78.50.020	STA-RITE® Dyna-Glas™

Table 1.0 - Replacement Pump Connection Options

1/3 MAINTENANCE

The pump requires little or no service other than reasonable care and periodic cleaning of the strainer basket. **DO NOT** strike basket to clean. When cleaning the basket inspect the lid o-ring for damage and replace if necessary.

NOTE: It is normal for a few drops of water to escape from the mechanical seal from time to time. This is especially true during the break-in period.

The mechanical seal may come worn and/or loose during the course of time, depending on the running time and water quality. If water continually leaks out, a new mechanical seal should be fitted. After long periods of NOT operational (seasonal storage, etc.), the pump must be checked for ease of rotation while it is switched off.

WARNING: Before servicing the pump, switch off the circuit breakers at the power source. Severe personal injury or death may occur if the pump starts while your hand is inside the pump.

Place a screwdriver, allen wrench or appropriate tool in the end of the motor shaft and turn it clockwise. OR Remove the fan cover and turn the fan in a clockwise direction manually. This may require removal of the cover at the rear of the motor or small circular cap at the rear center of the motor.

To Replace the Mechanical Seal

To replace the mechanical seal, remove the sixteen (16) bolts holding the casing to the seal housing. Slide the motor part including the seal housing out. Remove the terminal cover from the rear of the motor and secure the center motor shaft with a 1/2" wrench. Remove impeller nut by turning it counter-clockwise when facing it. Pull the impeller from the motor shaft noting the position of the seal. Remove the seal from the impeller shaft. To re-assemble, reverse the process. Use only water as a lubricant to install both sides of the seal. Make sure both sides of the seal (ceramic and spring portion) are clean. Gently wipe polished faces with soft and dry cotton cloth. Surfaces can easily be damaged by dirt and scratching. (Use a drop of loc-tite to secure the impeller nut.)

1/4 WINTERIZING

CAUTION: The pump must be protected when freezing temperatures are expected. Allowing the pump to freeze will cause severe damage and void the warranty.

There are two options when winterizing the pump:

Option 1:

Drain all the water from the pump, system equipment, and piping. Remove drain plug(s). **DO NOT** replace plug(s). Store plug(s) in the strainer basket for winter. Keep the motor covered and dry.

Option 2:

Drain all the water from the pump, system equipment, and piping. Remove the pump and motor from the plumbing and store indoors in a warm and dry location.

NOTE: When the winter season is over the pump will need to be check and primed prior to start.

CAUTION: DO NOT run the pump dry. If the pump is run dry, the mechanical seal will be damaged and the pump will start to leak at the seal. If this occurs, the mechanical seal will need to be replaced. **ALWAYS** maintain the proper water level in your pool. Continued operation in this manner could cause a loss of pressure, resulting in damage to the pump casing, impeller, and mechanical seal.

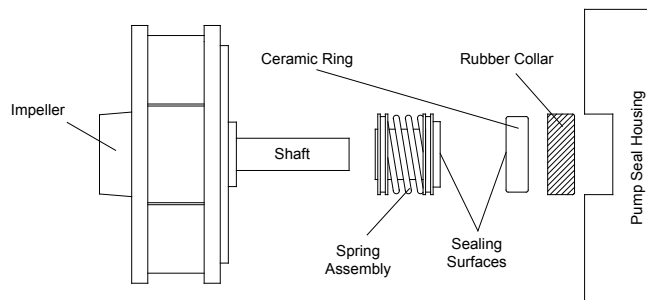


Figure 2.0

SECTION 2 TROUBLESHOOTING GUIDE

PROBLEM	POSSIBLE CAUSES	SOLUTION
1. Pump will not prime.	<p>a. Suction air leak.</p> <p>b. No water in pump.</p> <p>c. Closed valves or blocked lines.</p> <p>d. Low voltage to motor.</p>	<p>Make sure the see-through lid and o-ring are clean and properly positioned. Tighten see-through lid (hand tight). Tighten all pipes and fittings on suction side of the pump. Be sure water in the pool is high enough to flow through skimmer.</p> <p>Make sure strainer tank is full of water.</p> <p>Open all valves in system. Clean skimmer and strainer tank. Open pump and check for clogging of impeller.</p> <p>Check voltage at motor. If low, pump will not come up to speed.</p>
2. Motor does not turn.	<p>a. No power to motor.</p> <p>b. Pump jammed.</p>	<p>Check that all power switches are on. Be sure fuse or circuit breaker is properly set. Time set properly? Check motor wiring at terminals.</p> <p>With power off, turn shaft. It should spin freely. If not, disassemble and repair.</p>
3. Low flow.	<p>a. Dirty filter.</p> <p>b. No skimmer basket.</p> <p>c. Closed valves or blocked lines.</p> <p>d. Suction air leak.</p>	<p>Back wash filter when filter pressure is high, or clean cartridges.</p> <p>Clean skimmer and pump strainer basket.</p> <p>See problem 1.</p> <p>See problem 1.</p>
4. Noisy operation of motor.	<p>a. Bad bearings.</p>	<p>Noise when shaft is turned up by hand. Motor is hot in bearing area when running. Replace bearing.</p>
5. Motor runs hot.	<p>These motors will run hot to the touch, however, this is normal. They are designed that way. Thermal overload protector will function to turn them off if there is an overload or high temperature problem. Excessive heat can be cause by:</p> <p>a. Low voltage.</p> <p>b. Installed in direct sun.</p> <p>c. Poor ventilation.</p>	<p>Increase size of electrical wire. Be sure motor is operating on correct voltage.</p> <p>Shield motor from sun's rays.</p> <p>Do not tighten cover or enclosure motor.</p>
6. Noisy operation of pump.	<p>a. Air leak in suction line. Bubbles in water returning to pool at inlet.</p> <p>b. Restricted suction line due to blockage or under size pipe. Indicated by high vacuum reading at pump suction.</p> <p>c. Foreign matter (gravel, metal, etc.) in pump impeller.</p> <p>d. Cavitation.</p>	<p>Repair leak. Check suction pipe, see-through lid in place? O-ring clean?</p> <p>Remove blockage or increase suction pipe size. Make sure strainer tank is clean. Are all suction valves fully open?</p> <p>Disassemble pump and remove foreign matter from impeller.</p> <p>Improve suction conditions. (Reduce suction life, reduce number of fittings, increase pipe size.) Increase discharge pressure and reduce flow by throttling discharge valve.</p>

SECTION 2 TROUBLESHOOTING GUIDE - continued

PROBLEM	POSSIBLE CAUSES	SOLUTION
7. Motor overload protection "kicks out".	a. Motor is not connected properly.	Check wiring diagram on motor.
	b. Low voltage due to under size wire or low incoming voltage.	Check with volt meter. Increase size of supply wire. Reports low supply voltage to power company. Voltage at motor must be within 10% of motor nameplate voltage.
	c. Wrong size heaters in protective device.	Heaters should be one size larger than full load amps shown on motor nameplate.
	d. Overload due to binding in pump or wrong size impeller.	Indicated by high amperage readings on motor, binding shaft. Disassemble unit and correct.

SECTION 3 SERVICING INFORMATION

When calling the manufacturer regarding a question or problem with your pump, please have the serial number available.

The serial number is located on the pump either on the casing and/or motor. Replacement parts may be available from your installer.

SECTION 4 LIMITED WARRANTY

Speck Pumps-Pool Products, Inc. grants solely to the original consumer purchaser ("Buyer") of the pump and motor the following personal, non-transferable and limited warranty on the following terms and conditions (the "Limited Warranty"): the pump and motor is warranted to be free of material defects in materials or workmanship under normal use for a period of two (2) year beginning on the date of the Buyer's purchase of the pump and motor. Notwithstanding any provisions herein to the contrary, the warranties and obligations hereunder shall not in any event extend for more than three (3) years beyond the date of shipment of the pump and motor from the factory (the "Limited Warranty Period"). The Limited Warranty is subject to each of the following additional terms and conditions:

1. IN THE EVENT OF ANY BREACH OF THE LIMITED WARRANTY, SPECK PUMPS - POOL PRODUCTS, INC.'S ENTIRE OBLIGATION AND LIABILITY TO BUYER, AND BUYER'S SOLE AND EXCLUSIVE REMEDY SHALL BE AS FOLLOWS: Speck Pumps - Pool Products, Inc. will, at its option, either repair or replace the pump and motor or refund to Buyer the purchase price actually paid by Buyer for the pump and motor subject to the Limited Warranty. Speck Pumps - Pool Products, Inc. shall have no obligations under the Limited Warranty unless Buyer delivers timely written notice to Speck Pumps - Pool Products, Inc. of the Limited Warranty claim within the Limited Warranty Period and returns the pump and motor to Speck Pumps - Pool Products, Inc. if requested. To the fullest extent permitted by law, Speck Pumps - Pool Products, Inc. expressly disclaims any liability for, and the Limited Warranty does not include or cover, any labor, costs or other expenses in connection with the removal, transportation, shipment, insurance, replacement, repair, or installation of repaired or replaced parts or for any other costs or expenses or damages to property or things including, but not limited to, those arising in connection with the use of, or inability to use, the pump and motor.

2. To the fullest extent permitted by law, the Limited Warranty will be void and of no force or effect and Speck Pumps - Pool Products, Inc. will have no liability, responsibilities or obligations to Buyer or with respect to the pump and motor in the event of the occurrence of any one or more of the following:

- (a) Any damage to the pump and motor caused by Buyer, any third party, ground movement, other natural forces, acts of God or any other sources or causes not arising from a breach of the Limited Warranty, excluding ordinary wear and tear;
- (b) Any replacement, modification, alteration or repair of any parts or components of the pump and motor by anyone other than Speck Pumps - Pool Products, Inc.;
- (c) Any abuse, misuse, accident, tampering with, improper installation or modification of the pump and motor or any other actions, inactions or failures to act that violate the terms and conditions of this Limited Warranty;

SECTION 4 LIMITED WARRANTY - continued

- (d) Buyer's failure or inability to present an invoice, bill, receipt or other documentation clearly evidencing that the pump and motor was installed and maintained in strict compliance with this Limited Warranty and that the claim was timely submitted within the Limited Warranty Period; and/or
 - (e) Buyer's failure to comply with the conditions and contingencies set forth in paragraph 3 below.
3. The Limited Warranty is expressly conditioned and contingent upon Buyer's strict compliance with each of the following:
- (a) Installation of the pump and motor by an experienced and qualified pool industry professional and a licensed electrician who is licensed within the jurisdiction in which the pump and motor is installed and will be used; and
 - (b) Buyer's operation and maintenance of the pump and motor in strict accordance with Speck Pumps - Pool Products, Inc.'s printed operator/maintenance manuals delivered with the pump and motor.

4. DISCLAIMER: THE LIMITED WARRANTY IS THE ONLY WARRANTY MADE AND IS IN LIEU OF ALL OTHER WARRANTIES, AND ANY AND ALL IMPLIED WARRANTY OR CONDITION OF MERCHANTABILITY, THE IMPLIED WARRANTY AGAINST INFRINGEMENT, AND THE IMPLIED WARRANTY OR CONDITION OF FITNESS FOR A PARTICULAR PURPOSE ARE EXPRESSLY LIMITED IN THEIR SCOPE AND DURATION TO THE TWO YEAR TERM OF THE LIMITED WARRANTY SET FORTH HEREIN. SOME STATES DO NOT ALLOW LIMITATIONS ON HOW LONG AN IMPLIED WARRANTY LASTS, SO THE ABOVE LIMITATION MAY NOT APPLY TO THE BUYER.

5. TO THE FULLEST EXTENT PERMITTED BY LAW, IN NO EVENT SHALL SPECK PUMPS - POOL PRODUCTS, INC. OR ITS OFFICERS, DIRECTORS, EMPLOYEES, SHAREHOLDERS, AGENTS, OR REPRESENTATIVES BE LIABLE FOR ANY SPECIAL, INDIRECT, INCIDENTAL, EXEMPLARY OR CONSEQUENTIAL DAMAGES OR LOSS, INCLUDING TIME, MONEY, GOODWILL, AND LOST PROFITS IN ANY WAY WHICH MAY ARISE HEREUNDER OR FROM THE USE OF OR INABILITY TO USE THE PUMP AND MOTOR OR THE PERFORMANCE OR NONPERFORMANCE OF ANY OBLIGATION UNDER THIS LIMITED WARRANTY. THIS PARAGRAPH, THE WARRANTY DISCLAIMERS IN PARAGRAPH 4 ABOVE, AND THE SOLE AND EXCLUSIVE REMEDY SET FORTH IN PARAGRAPH 1 ABOVE SHALL APPLY EVEN IF SPECK PUMPS - POOL PRODUCTS, INC. HAS BEEN NOTIFIED OF THE POSSIBILITY OR LIKELIHOOD OF SUCH DAMAGES OCCURRING, WHETHER SUCH LIABILITY IS BASED ON CONTRACT, TORT, NEGLIGENCE, STRICT LIABILITY, PRODUCTS LIABILITY OR OTHERWISE, AND EVEN IF ANY REMEDY STATED HEREIN FAILS OF ITS ESSENTIAL PURPOSE. SOME STATES DO NOT ALLOW THE EXCLUSION OR LIMITATION OF SPECIAL, INDIRECT, INCIDENTAL, EXEMPLARY OR CONSEQUENTIAL DAMAGES OR LOSS, SO THE ABOVE EXCLUSIONS AND LIMITATIONS MAY NOT APPLY.

6. This Limited Warranty gives the Buyer specific legal rights, and the Buyer may also have other rights, which vary from state to state.

7. A return merchandise authorization ("RMA") must be obtained from Speck Pumps - Pool Products, Inc. before returning any product. Products returned without an RMA will be refused and returned, unopened, to the Buyer. All returned products are to be sent freight prepaid and insured for Buyer's protection to the manufacturer at 8125 Bayberry Road, Jacksonville, Florida 32256. Under no condition will products be accepted after the expiration of the Limited Warranty Period. Speck Pumps - Pool Products, Inc. shall not bear any costs or risks incurred by Buyer in shipping a defective pump and motor to Speck Pumps - Pool Products, Inc. or in shipping a repaired or replaced pump and motor to Buyer.

Technical Support:

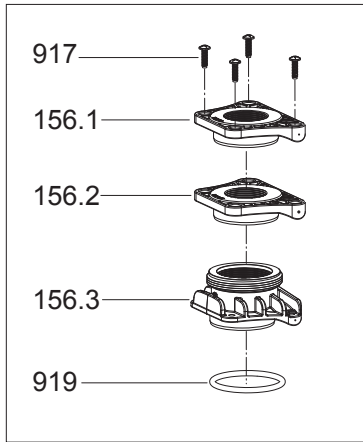
Address: Speck Pumps
8125 Bayberry Road
Jacksonville, FL. 32256 USA

Hours: (M-F) 8:00 am - 5:00 pm EST
Toll Free: 800-223-8538
Phone: 904-739-2626
Fax: 904-737-5261
Website: www.usa.speck-pumps.com

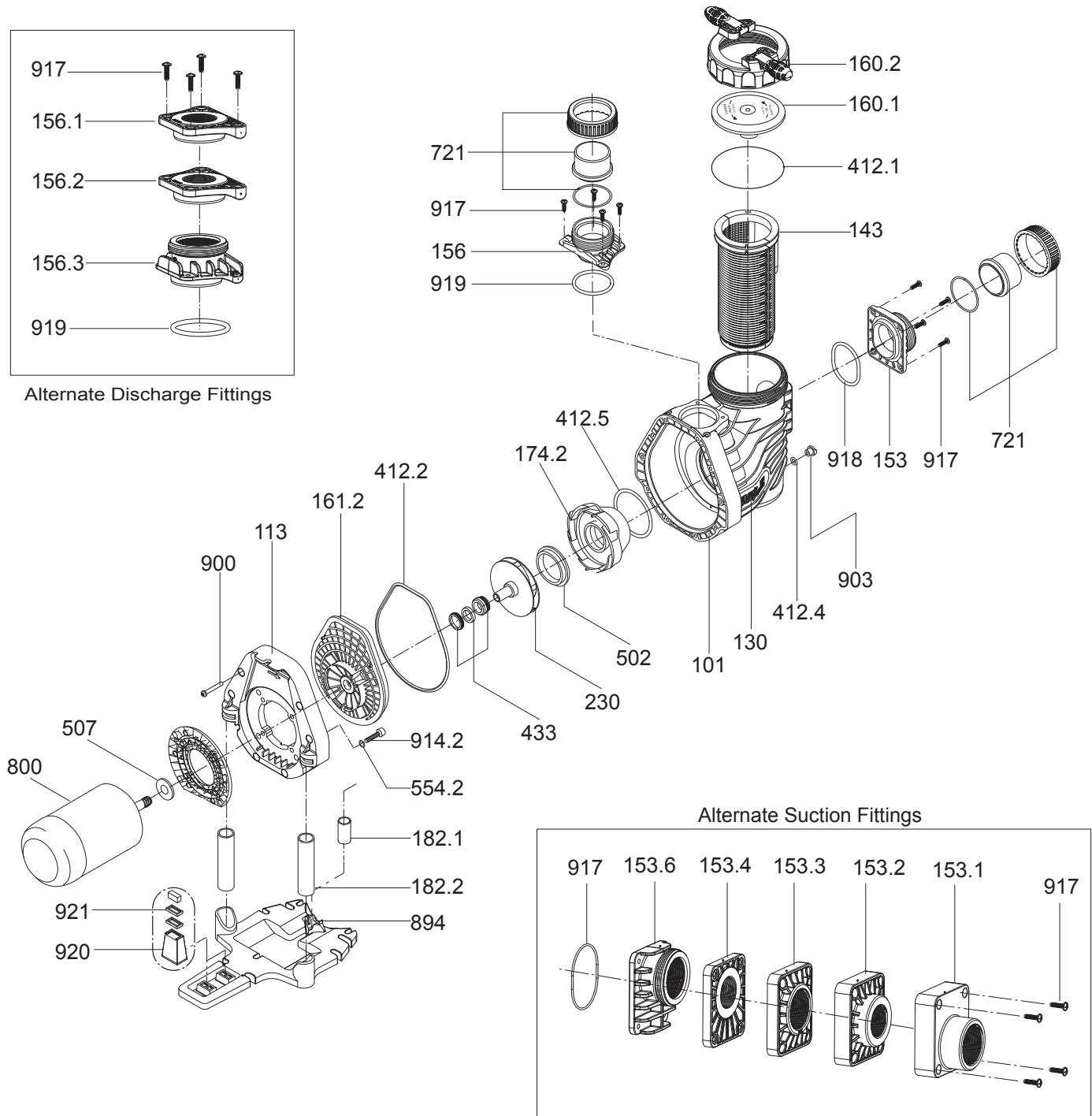
Date of Installation:	
Installed by:	
Serial Number:	
For Service Call:	

Manufactured by Speck Pumps, Jacksonville Florida USA, ©All Rights Reserved.
This document is subject to change without notice.

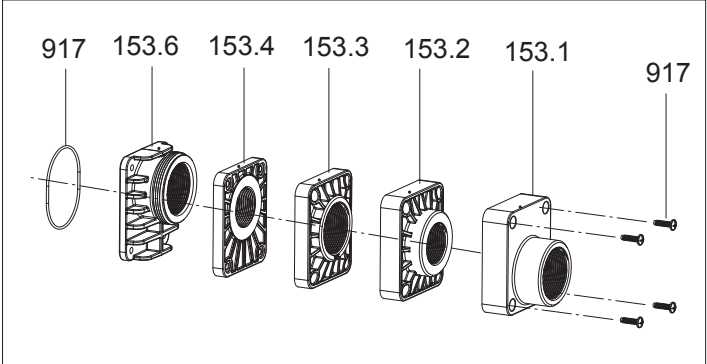
SECTION 5 REPLACEMENT PARTS & EXPLODED VIEW



Alternate Discharge Fittings



Alternate Suction Fittings



SECTION 5 REPLACEMENT PARTS & EXPLODED VIEW - continued

PART NUMBER	DRAWING NUMBER	QTY REQUIRED	DESCRIPTION
2921116022	160.2	1	LOCK RING WITH HANDLES - LID
2901410122	101	1	CASING
2901413002	130	2	NAME PLATE - ORANGE
2901411304	113	1	FLANGE
2901489400	894	1	BASE
2901416102	161.2	1	SEAL HOUSING (-I, -II, -IV, -V, -VI)
2901416103	161.2	1	SEAL HOUSING (1.65, -III)
2901417421	174.2	1	DIFFUSER (-I, -II)
2921317421	174.2	1	DIFFUSER (1.65, -III)
2901417422	174.2	1	DIFFUSER (-IV, -V)
2901417420	174.2	1	DIFFUSER (-VI)
2920750200	502	1	FLOATING EYE SEAL (-I, -II)
2901450700	502	1	FLOATING EYE SEAL (-IV, -V)
TBD	230	1	IMPELLER (-I)
2901423015	230	1	IMPELLER (-II) 113 / 5.3mm
2901423009R	230	1	IMPELLER (-III) 118 / 5.0mm
2901423009	230	1	IMPELLER (1.65 THP) 124 / 5.0mm
2901423016	230	1	IMPELLER (-IV) 120 / 8.7mm
2901423017	230	1	IMPELLER (-V) 120 / 10.0mm
2901423013	230	1	IMPELLER (-VI) 120 / 7.8mm
2923591201	903	1	PLUG - CASING DRAIN (1/4")
2920141240	412.4	1	O-RING - DRAIN PLUG 11 x 2.5mm
2921141210	412.1	1	O-RING - LID 137 x 5mm
2901441210	412.2	1	O-RING - CASING 206 x 6mm
2920141210	412.5	1	O-RING - DIFFUSER 90 x 5mm
2991000091	900	10	SCREW - CASING HEX/SLOT M7 x 48mm SS
2901116010	160.1	1	LID - CLEAR
2920343310	433	1	MECHANICAL SEAL (20mm) COMPLETE
2920110200	598	1	MOTOR FLANGE - 56 FRAME
2991400028	914.2	4	SCREW - 3/8"-16 x 2"
2901414303	143	1	BASKET - ONE PIECE
5879006022	917	8	SCREW - 6 x 22mm, A2
2901441270	918	1	O-RING - SUCTION FITTING (ALL) 76 x 6mm
2901441282	919	1	O-RING - DISCHARGE FITTING (ALL) 67 x 6mm
2902089420	920	1	ADAPTER
2920889410	921	7	LEGO SPACER
2901415300A	153	1	FITTING - STANDARD SUCTION KIT
2901415600A	156	1	FITTING - STANDARD DISCHARGE KIT
2901418213	182.1	1	RISER - FRONT
2901418223	182.2	2	RISER - REAR

OPTIONAL PARTS

2901415306	153.1	1	FITTINGS - 1.5" NPT SUCTION (Ultra-Flow®)
2901415316	153.1	1	FITTINGS - 2" NPT SUCTION (Ultra-Flow®)
2901415307	153.2	1	FITTINGS - 1.5" NPT SUCTION (WhisperFlo® / IntelliFlo®)
2901415317	153.2	1	FITTINGS - 2" NPT SUCTION (WhisperFlo® / IntelliFlo®)
2901415305	153.3	1	FITTINGS - 1.5" NPT SUCTION (Super Pump® / SuperFlo®)
2901415315	153.3	1	FITTINGS - 2" NPT SUCTION (Super Pump® / SuperFlo®)
2901415308	153.4	1	FITTINGS - 1.5" NPT SUCTION (Dura-Glas / Max-E-Glas™)
2901415318	153.4	1	FITTINGS - 2" NPT SUCTION (Dura-Glas / Max-E-Glas™)
2901415323	153.6	1	FITTINGS - 2" NPT SUCTION (Dyna-Glas™)
2901415602	156.1	1	FITTINGS - 1.5" NPT DISCHARGE (Pentair®, Hayward®, STA-RITE®)
2901415612	156.2	1	FITTINGS - 2" NPT DISCHARGE (Pentair®, Hayward®, STA-RITE®)
2901415623	156.3	1	FITTINGS - 2" NPT DISCHARGE (STA-RITE® Dyna-Glas™)
2901418212	182.1	1	RISER - FRONT (Ultra-Flow®)
2901418213	182.1	1	RISER - FRONT (WhisperFlo® / IntelliFlo® / Dyna-Glas™)
2901418214	182.1	1	RISER - FRONT (Dura-Glas / Max-E-Glas™)
2901418222	182.2	2	RISER - REAR (Ultra-Flow®)
2901418223	182.2	2	RISER - REAR (WhisperFlo® / IntelliFlo® / Dyna-Glas™)
2901418221	182.2	2	RISER - REAR (Super Pump® / SuperFlo®)
2901418224	182.2	2	RISER - REAR (Dura-Glas / Dyna-Glas™)

Hayward® and Super Pump® are registered trademarks of Hayward Industries, Inc.
Pentair®, SuperFlo®, WhisperFlo®, IntelliFlo®, Ultra-Flow®, Sta-Rite®, Dyna-Glas™, Dyna-Pro®, Dura-Glas, and Max-E-Glas™ are trademarks and/or registered trademarks of Pentair Water Pool and Spa, Inc. and/or its affiliated companies.

READ THIS MANUAL CAREFULLY

BEFORE USING THE SPECK PUMP



DANGER: DO NOT BLOCK SUCTION

⚠ DANGER



Hazardous suction.
Can trap hair or body parts, causing severe injury or death.
Do not block suction.

⚠ DANGER




Hazardous suction.
Can trap hair or body parts, causing severe injury or death.
Do not block suction.

1. Pump suction is hazardous and can trap and drown or dismember bathers.
2. Blocking suction with body may cause severe or fatal injury.
3. Do not use or operate swimming pools, spas or hot tubs if a suction outlet cover is missing, broken or loose.
4. All suction outlets covers must be maintained. They must be replaced if cracked, broken or missing.
5. All suction outlets must have correctly installed screw-fastened covers in place.
6. The pump suction system must provide protection against the hazard of suction entrapment or hair entrapment /entanglement.
7. Provide at least two hydraulically balanced (3' apart) main drains, with covers as suction outlets for each circulating pump suction line.



WARNING: RISK OF ELECTRICAL SHOCK

⚠ WARNING



Hazardous voltage.
Can shock, burn, or cause death.
Disconnect power before working on pump or motor.

1. To avoid dangerous or fatal electrical shock, turn OFF power to motor before working on electrical connections.
2. To reduce the risk of electrical shock, unplug motor before working on pump or motor.



SAVE THESE INSTRUCTIONS!