

Fig A

READ CAREFULLY BEFORE USING YOUR DOLPHIN TWO BY TWO ROBOT POOL CLEANER

INSTALLATION

The CADDY and power supply [1, page 7] should be positioned so that the DOLPHIN can reach all the corners of the swimming pool and must be at a minimum distance of 3 meters [10 Ft.] from the edge of the pool. For best operation of the DOLPHIN Swivel cable [16, page 7] leave excess cable rolled outside of the pool. [fig A].



Fig B

THE POWER SUPPLY

Factory-wired for either 100V, 115V or 230V mains supply, the voltage rating should be checked before connection. The power supply must be supplied through a residual current device (RCD) with a rated residual operating current 30 mA.

For power supply model with Filter bag indicator [Fig B]:

At the front section there are lights that indicate when the DOLPHIN is operating or when the filter bag needs to be cleaned or washed.



Will flash when switching ON power supply for few seconds.
Will remain lit for the rest of operation time.



Will remain unlit during normal operation.
Will flash when the filter bag fills up and needs cleaning.
Will remain lit when the filter bag is clogged and needs washing.



Reset button: Press either reset button if filter bag indicator light doesn't turn off after cleaning the filter bag.

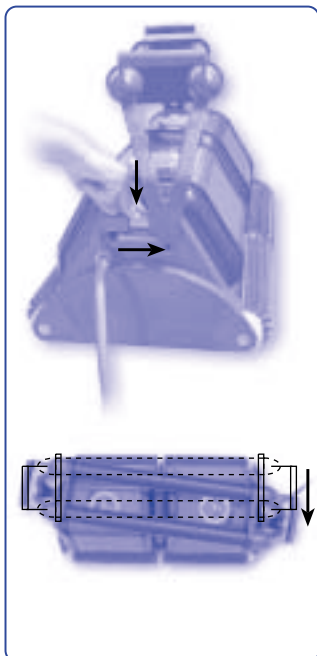


Fig C

Use only the original DOLPHIN power supply.

If the power supply cord is damaged, it must be replaced by a special cord or assembly available from the manufacturer.

Caution: When working, the power supply should be placed in the shade. It must also be well protected from water reach (splashes, sprinklers etc).

DOLPHIN CADDY

Refer to assembly instructions and diagram enclosed in caddy carton

Caution: Improper use may cause injury or damage the CADDY.

HANDLE

The DOLPHIN features an adjustable handle [2, page 7] fitted into slots on each side of the DOLPHIN body. This handle must be locked in a diagonal position across the top of the DOLPHIN body in order to ensure optimum cleaning results. Press downwards on the yellow latch [3, page 7] to move the handle arm to a diagonal position. [Fig C].

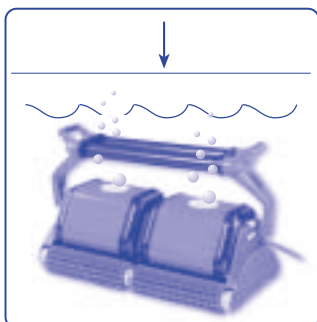


Fig D

OPERATION

DO NOT ENTER THE SWIMMING POOL WHILE THE DOLPHIN IS IN OPERATION.

- Connect the cable to the power supply.
- Release minimal required floating cable length, ensuring proper pool coverage.
- Place the Dolphin in the pool [Fig D].
- Rock from side to side, releasing trapped air, until the DOLPHIN slowly sinks to the bottom of the pool.
- Connect the power supply to a protected grounded outlet and switch on.
- If the DOLPHIN exits the water in a beach-entry pool the DOLPHIN will reverse in an attempt to re-enter the water.
- Optimum water temperature for the DOLPHIN is 12°C – 32°C [54°F – 90°F].
- Maximum operating depth of the DOLPHIN is 5 meters.

Caution: Do not operate the DOLPHIN out of water. This may result in extensive damage to the pump motor seals, thus invalidating the warranty.

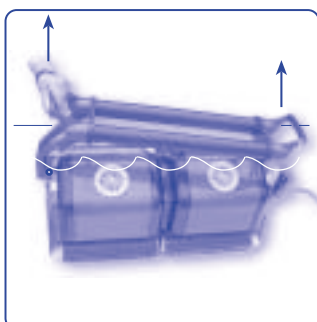


Fig E

CLEANING MODES

The DOLPHIN 2x2 model offers two modes of operation - AUTOMATIC or REMOTE CONTROL. The DOLPHIN will work in AUTOMATIC mode unless changed to REMOTE CONTROL mode, through the REMOTE CONTROL UNIT [R.C.U.].

REMOTE CONTROL MODE

In REMOTE CONTROL mode, you can maneuver the DOLPHIN to give special attention to certain areas of the pool. Move the joystick in the direction you desire the DOLPHIN to clean.

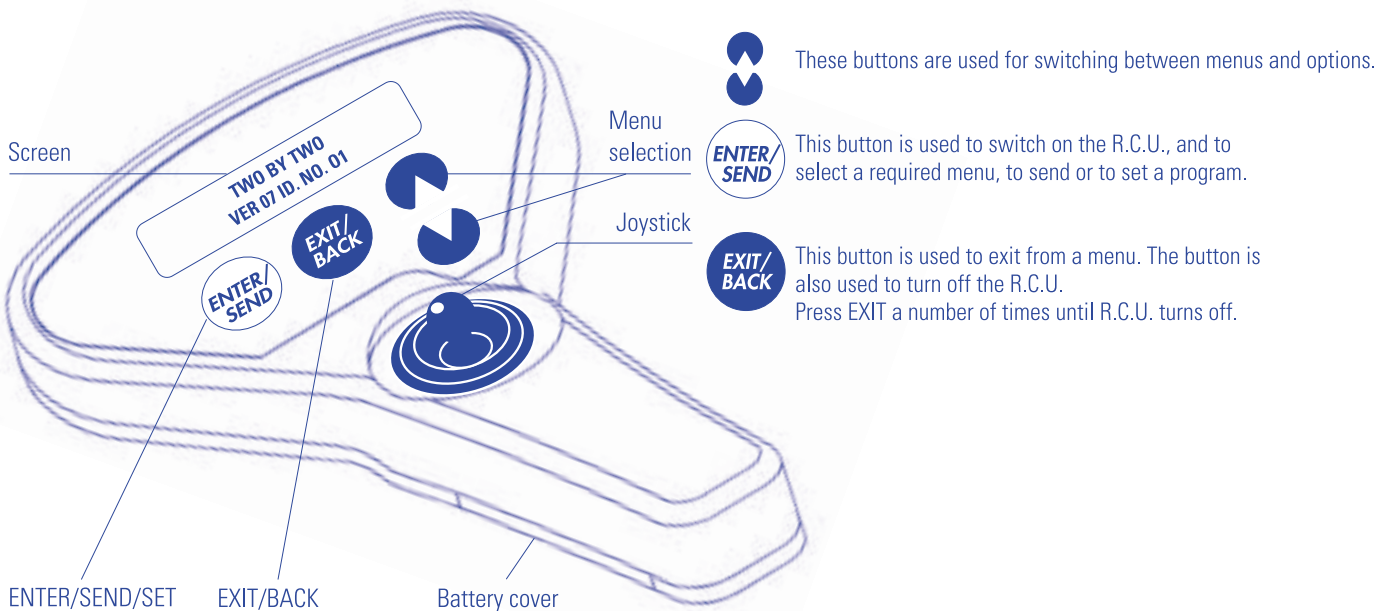
Note: If joystick is not touched for 2 minutes the R.C.U. will switch off and the DOLPHIN will enter AUTOMATIC CLEANING mode.

AUTOMATIC CLEANING MODE

In AUTOMATIC CLEANING mode the DOLPHIN calculates its own cleaning path. To customize the DOLPHIN cleaning program to suit your pool you should adjust parameters. Once set, the parameters will remain in the DOLPHIN memory until modified.

REMOTE CONTROL UNIT [R.C.U.]

The R.C.U. is splash-proof only. This R.C.U. is equipped with a digital screen, soft touch buttons and a joystick for manual operation.



DESCRIPTION AND USE OF MENUS AND CLEANING PROGRAMS

Regular - Floor cleaning program.

Ultra Clean - Slower movement for special thorough cleaning.

Climbing - This option controls the frequency of wall climbing eg: at which frequency the DOLPHIN should climb on the walls. Factory default setting mode is non-climbing.

Cycle time - Choose the most suitable cycle time.

Pool length - Program the pool length.

Note: If you chose the **Ultra Clean** mode, the DOLPHIN will automatically revert to the default mode of **Regular** Cleaning after end of cleaning cycle.

BATTERY REPLACEMENT

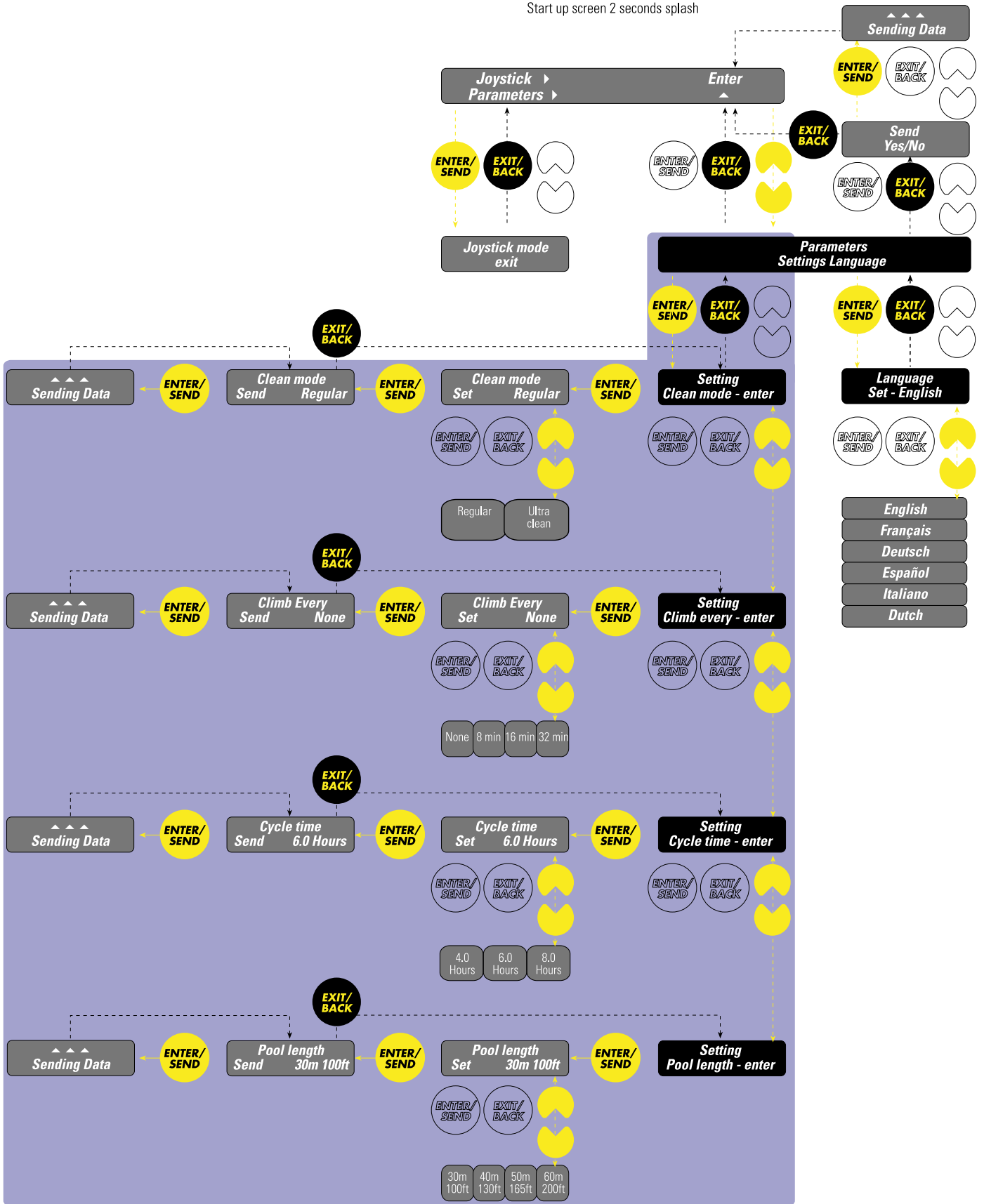
If the message "Low Battery" appears on the RCU screen:

- Open the battery cover.
- Remove all used batteries from the R.C.U.
- Place two 1.5 V AAA batteries into the R.C.U. as shown in the drawing inside the battery housing.
- Close the battery cover.

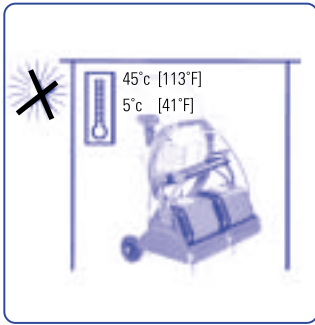
If you are not using your REMOTE CONTROL UNIT for more than 6 months - remove batteries.

MAYTRONICS 2x2

Start up screen 2 seconds splash



Note: If R.C.U. is not operated the DOLPHIN will enter AUTOMATIC CLEANING mode according to the last set of parameters used.



**Fig
F**

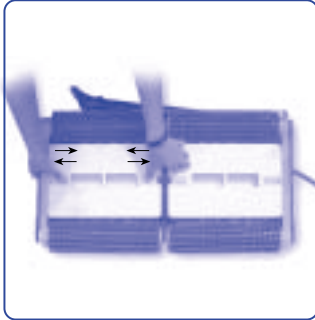
AUTOMATIC SHUT DOWN

The DOLPHIN will automatically shut down when it reaches the end of its cleaning cycle.

Note: To restart the DOLPHIN - switch off the power supply and wait 30 seconds before restarting.

Remember: ALWAYS SWITCH OFF THE POWER SUPPLY BEFORE REMOVING THE DOLPHIN FROM THE POOL.

Caution: Power fluctuations may cause the DOLPHIN to restart.



**Fig
G**

Remove the DOLPHIN from the water by gently pulling in the cable.

When the DOLPHIN reaches the surface, lift it out by the handle, NOT by the cable **[Fig. E]**.

After carefully reeling in and coiling the cable, place it on the cable support unit of the CADDY.

When out of the water, store the DOLPHIN on its CADDY in a dry, shaded place at a temperature of between 5°C – 45°C [41°F – 113°F] **[Fig. F]**.

MAINTENANCE

Clean both filter bags after each use.

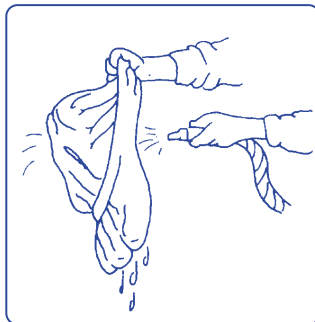
- Place the DOLPHIN up side down. Release the locking plates **[5, page 7]** on the bottom lids **[6, page 7]**. **[Fig. G]** and remove the bottom lids assemblies **[Fig. H]**.
- Remove both filter bags **[8, page 7]** from the bottom lids, and turn the filter bags inside out. Using a garden hose wash both bags thoroughly **[Fig. I]**. The bags may be laundered, using a regular synthetics wash-cycle.
- Remove the inlet cover **[9 page-7]** by gently pulling it upwards.
- Remove the inlet flaps **[10 page-7]**.
- Clean the inlet flaps, the cover and under the locking clips.
- Reinstall the flaps and the inlet cover.
- Refit the filter bags with the fluffy surface inwards. The tag should be on the outside and positioned centrally on the long side of the bottom lid.
- Install the filter bag clips **[7, page 7]** **[Fig. J]**.
- Install the bottom lid assemblies in the body and lock them in place.

Note: The bottom lid assemblies fit loosely into the Dolphin body. If you encounter any difficulties, the filter bags are probably incorrectly fitted.

• **Important:** Regularly disconnect cable from the power supply. Extend, uncoil and straighten the cable to remove entanglements.



**Fig
H**



**Fig
I**

PERIODICAL REMOVAL OF DEBRIS FROM THE MOVING PARTS

Warning! DISCONNECT MAINS BEFORE REMOVING IMPELLER TUBES [13, PAGE 7].

The impellers can be cleaned by twisting and removing the impeller tubes **[Fig. K]**.

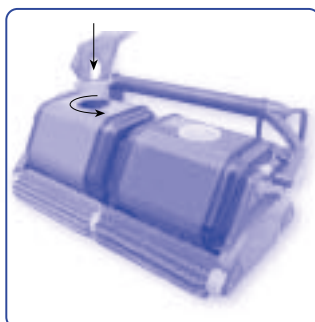
Remove debris or hair that has clogged the impellers.

The impeller can be unscrewed by means of a Philips screwdriver.

Remove the debris that has accumulated between timing belts **[12, page 7]** and wheels **[11, page 7]**.



**Fig
J**



**Fig
K**

HELPFUL TIPS

- Clean the filter bags whenever you remove the DOLPHIN from the pool [if a bag is left dirty it may become unusable].
- Check PH level of pool water [optimally 7.0 - 7.2].
- An optional filter bag is available for collection of rough debris.
- Always switch the power supply "off", wait 30 seconds and switch "on" again to start a new cleaning cycle
- Replace worn brushes [15, page 7] to ensure maximum cleaning performance.

WONDER BRUSHES are available for pools with very smooth surfaces - contact your dealer.

- Wonder Brushes are to be cleaned and kept wet throughout their life cycle.
- Wonder brushes or combined brushes should be kept wet even when stored for a long period of time.

GENERAL SPECIFICATIONS

| | | |
|--------------------------------|------------------------|--------------------------|
| Calculated Ground Speed | 900 M/Hr | 50 ft/min |
| Calculated Scanning Rate | 700 M ² /Hr | 126 ft ² /min |
| Suction Rate [self controlled] | 36,000 L/Hr | 109 gal/min |
| Weight [w/o cable] | 19 kg | 57 lb |

Power Supply

| | |
|---|---------------------------------------|
| Input Voltage | 100 VAC / 115 VAC / 230 VAC / 250 VAC |
| Output Voltage | 30 VDC - nominal |
| Rated output | 330 Watts |
| Maximum ambient air operating temperature is 45°C [113°F] | |

Equipment installation shall be approved in accordance with the country's national rules.

These specifications may vary for different swimming pools and for the various electrical configurations.

Although the DOLPHIN has been tested in a wide range of swimming pools, MAYTRONICS cannot accept responsibility if the DOLPHIN is not entirely suitable for any particular swimming pool.

Note: The sealed motor unit and the DOLPHIN power supply contain no user-serviceable parts. Opening these units will automatically invalidate your warranty.

The manufacturer reserves the right to change these specifications without prior notice.
U.S. Patent No. 4168557. S.A. Patent No. 76/7474. AUST Patent No. 509698.

CE/ETL Approved.

DOLPHIN ASSEMBLY

