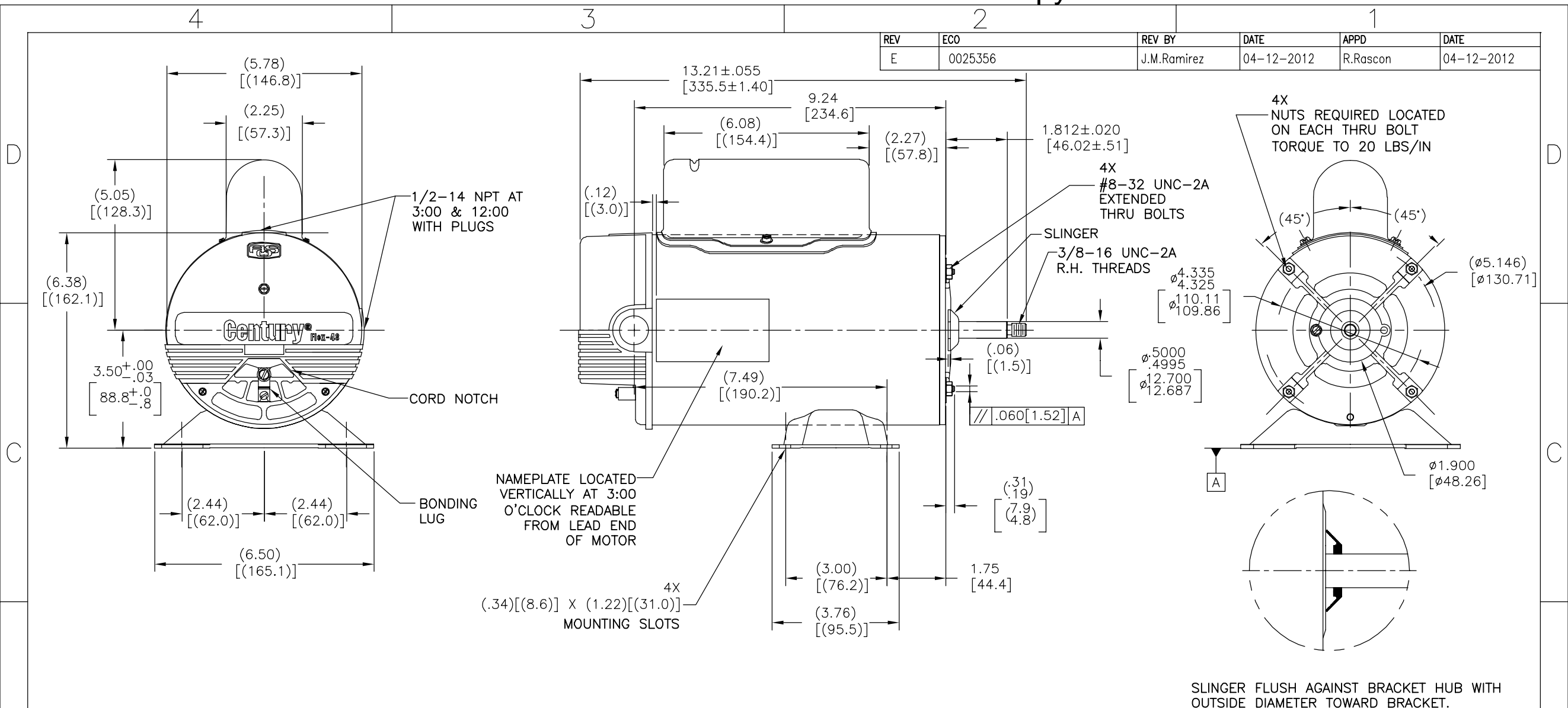


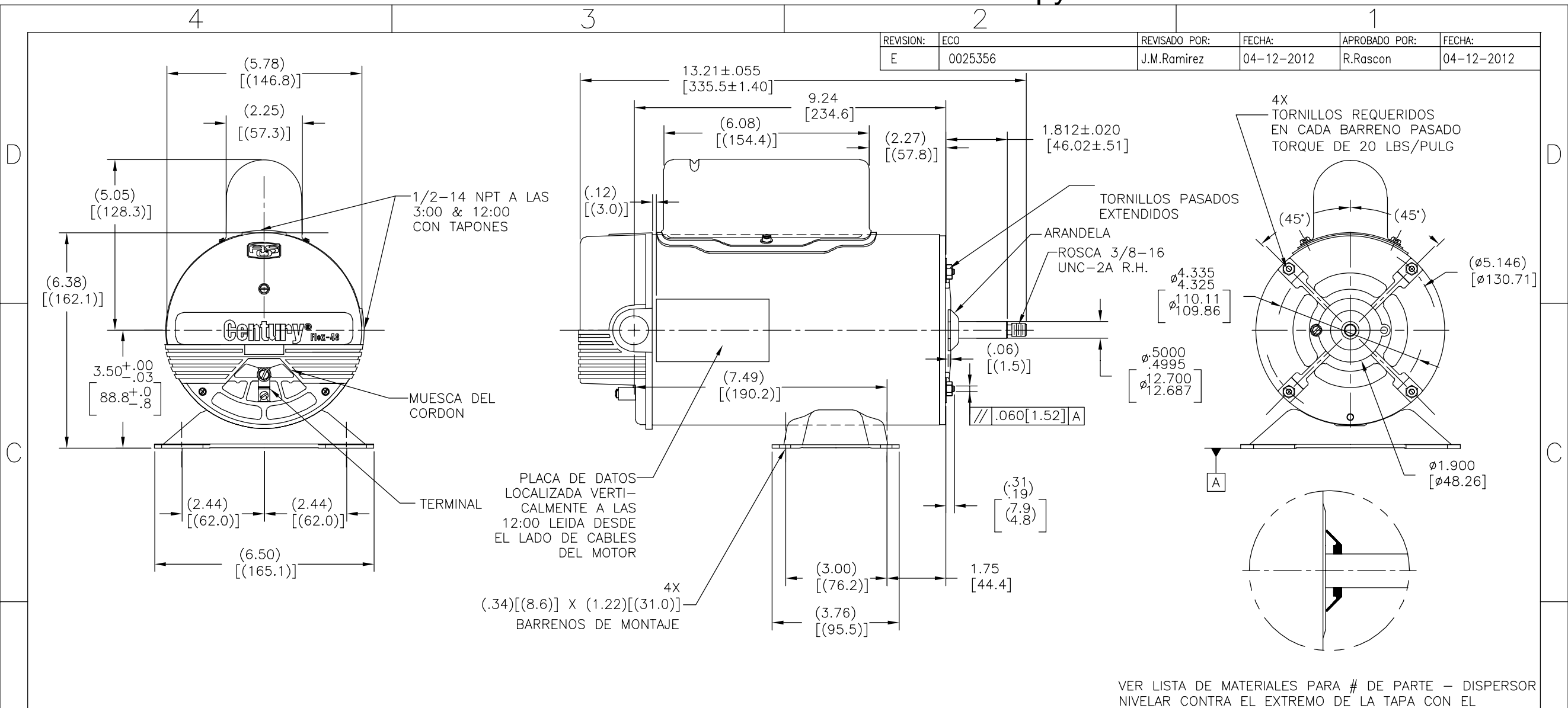
| REV | ECO | REV BY | DATE | APPD | DATE |
|-----|---------|-------------|------------|----------|------------|
| E | 0025356 | J.M.Ramirez | 04-12-2012 | R.Rascon | 04-12-2012 |



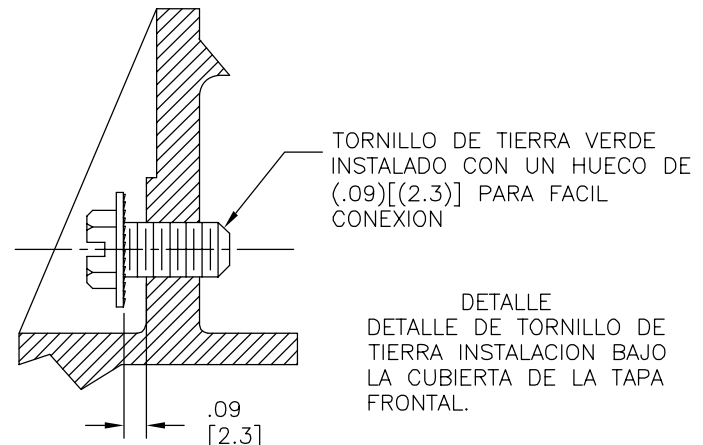
| NAMEPLATE DATA | EXTERNAL CONNECTION DIAGRAM | NOTES |
|--|--|---|
| MODEL: F48AD44A01 CUST PN: BN34V1 HP: 1.5/.188 SF: 1.0 ROT: CCWPE RPM: 3450/1725 TYPE: C/F CODE: F FORM: FRAME: 48Y VOLTS: 230 AMPS: 6.5/2.5 MAX AMPS: SF AMPS: PH: 1 HZ: 60 INS: B AMB: 40 DUTY: CONT ENCLOSURE: ODP THERMALLY PROTECTED | <p> ⊕ GRD ● GREEN (GROUND) 1 ● HIGH SPEED 5 ● COMMON 6 ● LOW SPEED </p> | 1. LEAD END FRAME TO BE ORIENTED TO DRIVE END FRAME TO WITHIN ±2° 2. ALL DIMENSIONS SHOWN IN PARENTHESIS ARE REFERENCE DIMENSIONS. |

| <table border="1"> <tr> <th>PERFORMANCE CURVE</th> <th>APPROVED SAMPLE</th> <th colspan="2">GEOMETRIC CHARACTERISTICS & SYMBOLS</th> <th rowspan="2">UNLESS OTHERWISE SPECIFIED DIM. TOLERANCES ARE AS FOLLOWS: INCH X XX XXX XXXX mm ±0.1 ±0.2 ±0.05 ±0.005 ANG. ±.50 DEG REMOVE BURRS & BREAK SHARP EDGES: INCH .003-.015 mm 0.1-0.4 CORNER FILLETS TO: INCH .020 mm 0.5 MACHINE SURFACES: INCH 125 mm 3.2</th> <th>DR BY:</th> <th>11-29-2010</th> <th rowspan="2"> </th> </tr> <tr> <td>F48M2W1</td> <td>0802264BP2</td> <td> □ FLATNESS — STRAIGHTNESS ∠ ANGULARITY ⊥ PERPENDICULARITY (SQUARENESS) ∥ PARALLELISM ○ ROUNDNESS (CIRCULARITY) ∅ CYLINDRICITY △ PROFILE OF ANY SURFACE ∩ PROFILE OF ANY LINE ↑ RUNOUT ⊕ TRUE POSITION ⊙ CONCENTRICITY = SYMMETRY </td> <td> ASME Y14.5M 1994 METRIC DIMS. SHOWN IN [BRACKETS] </td> <td> APPD: SH 11-29-2010 EDS DATE 11-11-2011 FORMAT REV G </td> <td> DESCRIPTION OUTLINE </td> </tr> <tr> <td>UL COMPONENT</td> <td>CSA</td> <td colspan="2"></td> <td></td> <td> THIRD ANGLE PROJECTION </td> <td></td> <td> SIZE C DWG NO BN34V1 </td> </tr> <tr> <td>FILE#</td> <td>CCN#</td> <td>FILE#</td> <td>GUIDE#</td> <td></td> <td></td> <td></td> <td> SCALE NONE SHEET 1 </td> </tr> <tr> <td>PENDING</td> <td>PENDING</td> <td>PENDING</td> <td>PENDING</td> <td></td> <td></td> <td></td> <td></td> </tr> <tr> <td>CUSTOMER</td> <td colspan="3">DISTRIBUTION</td> <td></td> <td></td> <td></td> <td></td> </tr> </table> | PERFORMANCE CURVE | APPROVED SAMPLE | GEOMETRIC CHARACTERISTICS & SYMBOLS | | UNLESS OTHERWISE SPECIFIED DIM. TOLERANCES ARE AS FOLLOWS: INCH X XX XXX XXXX mm ±0.1 ±0.2 ±0.05 ±0.005 ANG. ±.50 DEG REMOVE BURRS & BREAK SHARP EDGES: INCH .003-.015 mm 0.1-0.4 CORNER FILLETS TO: INCH .020 mm 0.5 MACHINE SURFACES: INCH 125 mm 3.2 | DR BY: | 11-29-2010 | | F48M2W1 | 0802264BP2 | □ FLATNESS — STRAIGHTNESS ∠ ANGULARITY ⊥ PERPENDICULARITY (SQUARENESS) ∥ PARALLELISM ○ ROUNDNESS (CIRCULARITY) ∅ CYLINDRICITY △ PROFILE OF ANY SURFACE ∩ PROFILE OF ANY LINE ↑ RUNOUT ⊕ TRUE POSITION ⊙ CONCENTRICITY = SYMMETRY | ASME Y14.5M 1994 METRIC DIMS. SHOWN IN [BRACKETS] | APPD: SH 11-29-2010 EDS DATE 11-11-2011 FORMAT REV G | DESCRIPTION OUTLINE | UL COMPONENT | CSA | | | | THIRD ANGLE PROJECTION | | SIZE C DWG NO BN34V1 | FILE# | CCN# | FILE# | GUIDE# | | | | SCALE NONE SHEET 1 | PENDING | PENDING | PENDING | PENDING | | | | | CUSTOMER | DISTRIBUTION | | | | | | | | | | | | | |
|---|-------------------|--|--|--|--|------------------------|----------------------|--|---------|------------|--|--|---|------------------------|--------------|-----|--|--|--|------------------------|--|----------------------|-------|------|-------|--------|--|--|--|--------------------|---------|---------|---------|---------|--|--|--|--|----------|--------------|--|--|--|--|--|--|--|--|--|--|--|--|--|
| PERFORMANCE CURVE | APPROVED SAMPLE | GEOMETRIC CHARACTERISTICS & SYMBOLS | | UNLESS OTHERWISE SPECIFIED DIM. TOLERANCES ARE AS FOLLOWS: INCH X XX XXX XXXX mm ±0.1 ±0.2 ±0.05 ±0.005 ANG. ±.50 DEG REMOVE BURRS & BREAK SHARP EDGES: INCH .003-.015 mm 0.1-0.4 CORNER FILLETS TO: INCH .020 mm 0.5 MACHINE SURFACES: INCH 125 mm 3.2 | | DR BY: | 11-29-2010 | | | | | | | | | | | | | | | | | | | | | | | | | | | | | | | | | | | | | | | | | | | | | | |
| F48M2W1 | 0802264BP2 | □ FLATNESS — STRAIGHTNESS ∠ ANGULARITY ⊥ PERPENDICULARITY (SQUARENESS) ∥ PARALLELISM ○ ROUNDNESS (CIRCULARITY) ∅ CYLINDRICITY △ PROFILE OF ANY SURFACE ∩ PROFILE OF ANY LINE ↑ RUNOUT ⊕ TRUE POSITION ⊙ CONCENTRICITY = SYMMETRY | ASME Y14.5M 1994 METRIC DIMS. SHOWN IN [BRACKETS] | | APPD: SH 11-29-2010 EDS DATE 11-11-2011 FORMAT REV G | DESCRIPTION OUTLINE | | | | | | | | | | | | | | | | | | | | | | | | | | | | | | | | | | | | | | | | | | | | | | | |
| UL COMPONENT | CSA | | | | THIRD ANGLE PROJECTION | | SIZE C DWG NO BN34V1 | | | | | | | | | | | | | | | | | | | | | | | | | | | | | | | | | | | | | | | | | | | | | | |
| FILE# | CCN# | FILE# | GUIDE# | | | | SCALE NONE SHEET 1 | | | | | | | | | | | | | | | | | | | | | | | | | | | | | | | | | | | | | | | | | | | | | | |
| PENDING | PENDING | PENDING | PENDING | | | | | | | | | | | | | | | | | | | | | | | | | | | | | | | | | | | | | | | | | | | | | | | | | | |
| CUSTOMER | DISTRIBUTION | | | | | | | | | | | | | | | | | | | | | | | | | | | | | | | | | | | | | | | | | | | | | | | | | | | | |

| | | | | | |
|-------------|---------|---------------------------|-------------------|------------------------|-------------------|
| REVISION: E | ECO | REVISADO POR: J.M.Ramirez | FECHA: 04-12-2012 | APROBADO POR: R.Rascon | FECHA: 04-12-2012 |
| | 0025356 | | | | |



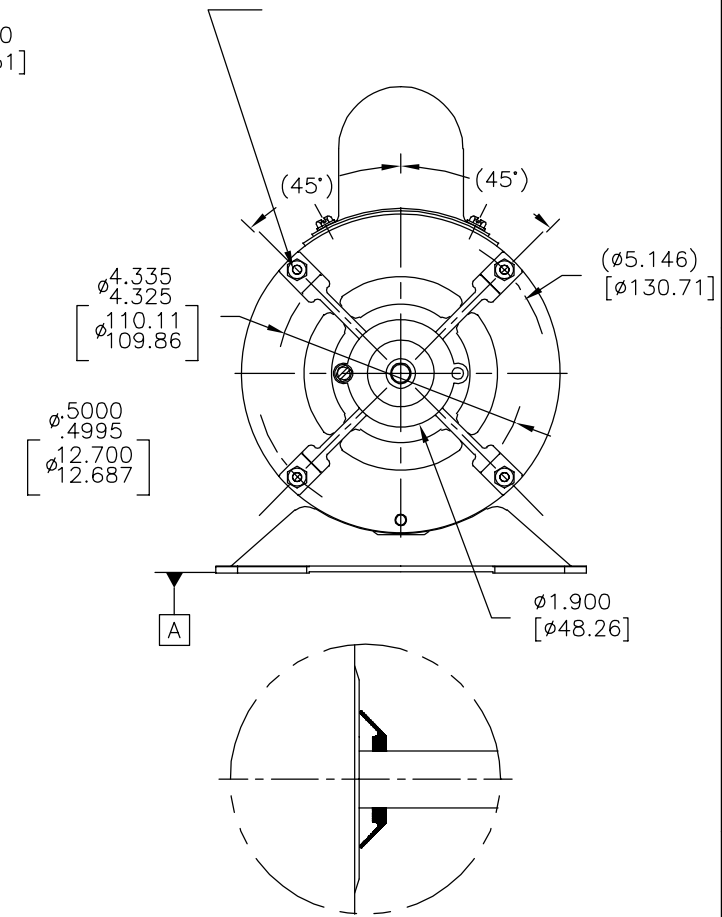
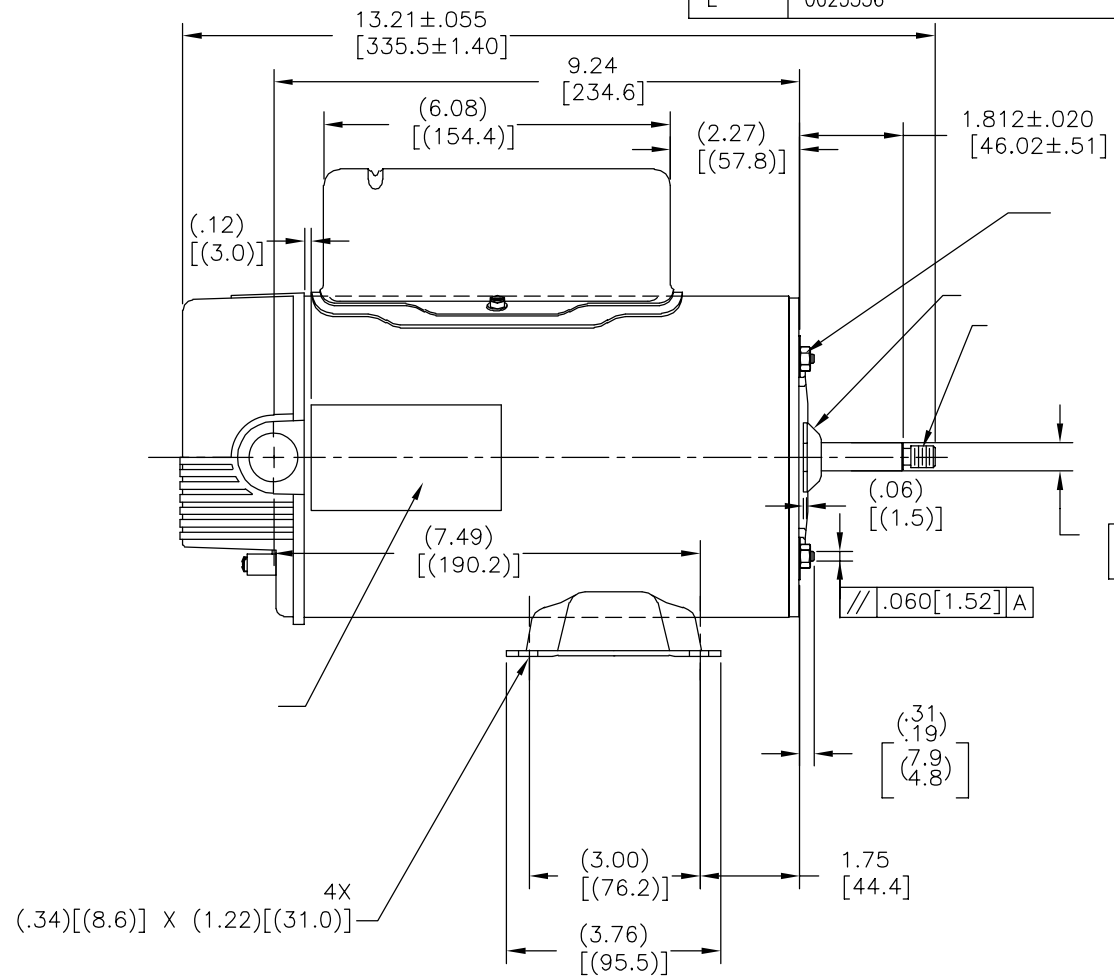
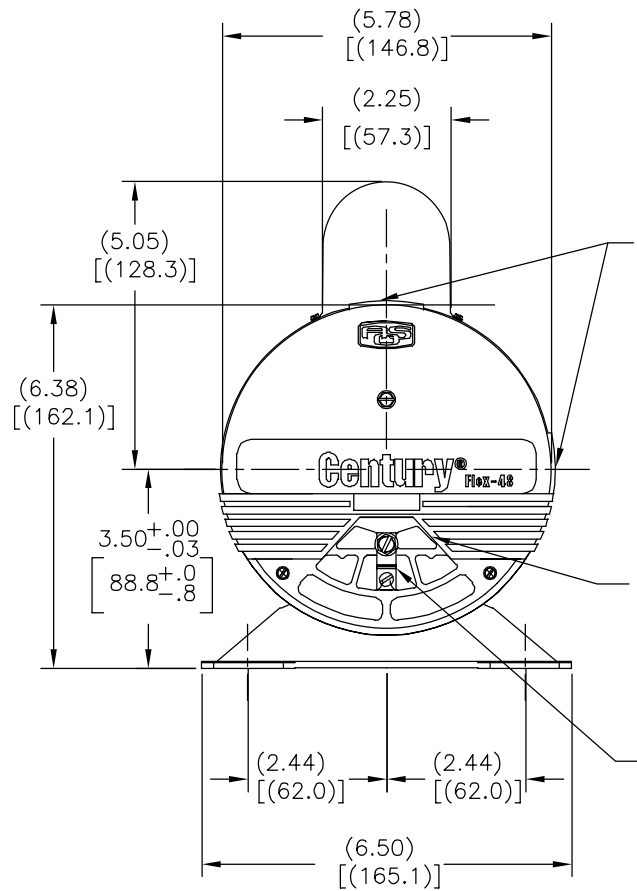
VER LISTA DE MATERIALES PARA # DE PARTE - DISPERSOR NIVELAR CONTRA EL EXTREMO DE LA TAPA CON EL DIAMETRO EXTERNO HACIA LA TAPA.



| NAMEPLATE DATA | EXTERNAL CONNECTION DIAGRAM | NOTES |
|--|--|--|
| MODEL: F48AD44A01 CUST PN: BN34V1 HP: 1.5/.188 SF: 1.0 ROT: CCWPE RPM: 3450/1725 TYPE: C/F CODE: F FORM: FRAME: 48Y VOLTS: 230 AMPS: 6.5/2.5 MAX AMPS: SF AMPS: PH: 1 HZ: 60 INS: B AMB: 40 DUTY: CONT ENCLOSURE: ODP THERMALLY PROTECTED | <p>⊕ GRD ● GREEN (GROUND) 1 ● HIGH SPEED 5 ● COMMON 6 ● LOW SPEED</p> | 1. CABLES DE LA TAPA ORIENTADOS AL LADO MOTRIZ DEL MOTOR DE LA CARCAZA CON RESPECTO A ±2° 2. TODAS LAS DIMENSIONES QUE SE MUESTREN EN PARENTESIS SON DIMENSIONES DE REFERENCIA. |

| | | | | | |
|-------------------|-----------------|---|--|---|--|
| PERFORMANCE CURVE | APPROVED SAMPLE | CARACTERISTICAS DE GEOMETRIA Y SIMBOLOS ▽ PLANICIDAD — RECTITUD ∠ ANGULARIDAD ⊥ PERPENDICULARIDAD (A ESQUADRA) // PARALELISMO ○ REDONDEZ (CIRCULARIDAD) ∅ CILINDRICIDAD △ PERFIL DE CUALQUIER SUPERFICIE ▲ PERFIL DE CUALQUIER LINEA † VARIACION ⊕ POSICION REAL ⊙ CONCENTRICIDAD = SIMETRIA | A MENOS QUE SE ESPECIFIQUE DE OTRA MANERA, LAS TOLERANCIAS DE LAS DIMS; SON LAS SIGUIENTES: PULG ±.1 ±.02 ±.005 ±.0005 mm ±0.5 ±0.13 ±0.013 ANG. ± 50 GRADOS ELIMINAR REBABAS Y ORILLAS FILOSAS DEL BORDE. PULG .003-.015 mm 0.1-0.4 FILETEAR ESQUINA: PULG .020 mm 0.5 MAQUINAR SUPERFICIES PULG 125 mm .32 | DIBUJADO POR: JZ 11-29-2010 APROBADO POR: SH 11-29-2010 TERCER ANGULO DE PROYECCION FECHA EDS: 11-11-2011 REV. FORMATO: G | DESCRIPCION: OUTLINE TAMAÑO: C NUMERO DE DIBUJO: BN34V1 ESCALA: NONE HOJA: 1 |
| F48M2W1 | 0802264BP2 | | DIMS METRICAS MOSTRADAS [PARENTESIS] | CONFIDENCIAL: ESTE DIBUJO Y SU INFORMACION SON PROPIEDAD DE USO EXCLUSIVO Y CONFIDENCIAL DE REGAL-BELOIT CORPORATION. Y NO DEBERAN SER REVELADOS, DUPLICADOS, DISTRIBUIDOS O USARSE DE OTRA MANERA SIN EL CONSENTIMIENTO ESCRITO DE REGAL-BELOIT CORPORATION. -TODOS LOS DERECHOS RESERVADOS. | |
| UL COMPONENT | CSA | | | | |
| FILE# | CCN# | | FILE# | GUIDE# | |
| PENDING | PENDING | | PENDING | PENDING | |
| CUSTOMER | DISTRIBUTION | | | | |

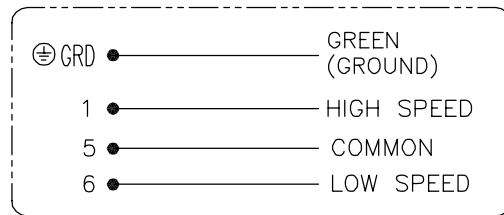
| | | | | | |
|----|---------|-------------|------------|----------|------------|
| 版本 | ECO | 编制 | 日期 | 批准 | 日期 |
| E | 0025356 | J.M.Ramirez | 04-12-2012 | R.Rascon | 04-12-2012 |



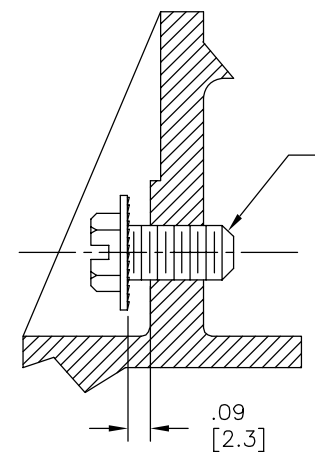
NAMEPLATE DATA

MODEL: F48AD44A01
 CUST PN: BN34V1
 HP: 1.5/.188 SF: 1.0
 ROT: CCWPE
 RPM: 3450/1725
 TYPE: C/F CODE: F
 FORM: FRAME: 48Y
 VOLTS: 230
 AMPS: 6.5/2.5
 MAX AMPS:
 SF AMPS:
 PH: 1 HZ: 60
 INS: B AMB: 40
 DUTY: CONT
 ENCLOSURE: ODP
 THERMALLY PROTECTED

EXTERNAL CONNECTION DIAGRAM



NOTES



| | | | |
|-------------------|---------|-----------------|---------|
| PERFORMANCE CURVE | | APPROVED SAMPLE | |
| F48M2W1 | | 0802264BP2 | |
| UL COMPONENT | | CSA | |
| FILE# | CCN# | FILE# | GUIDE# |
| PENDING | PENDING | PENDING | PENDING |
| CUSTOMER | | DISTRIBUTION | |

| | |
|--------|--------------------------|
| 形位公差 | 除另有注明 |
| □ 平面度 | 尺寸公差如下: |
| — 直线度 | 英寸 X XX XXX XXXX |
| ∠ 倾斜度 | 毫米 ±.1 ±.02 ±.005 ±.0005 |
| ⊥ 垂直度 | 毫米 ±0.5 ±0.13 ±0.013 |
| // 平行度 | 角度 ±.50度 |
| ○ 圆度 | 清理毛刺和尖棱 |
| ⊙ 圆柱度 | 英寸 .003-.015 毫米 0.1-0.4 |
| △ 面轮廓度 | 内圆角 |
| ∩ 线轮廓度 | 英寸 .020 毫米 0.5 |
| ⤴ 圆跳动 | 表面粗糙度 |
| ⊕ 位置度 | 英制 125 米制 3.2 |
| ⊗ 同轴度 | 米制尺寸显示在 [] |
| ≡ 对称度 | |

| | | |
|--|----|---------------------------------|
| 绘图: | JZ | 11-29-2010 |
| 批准: | SH | 11-29-2010 |
| 第三角投影 | | 图纸格式发布日期 11-11-2011 图纸格式版本 G |
| 机密: 本图纸及相关信息所有权归REGAL-BELOIT CORPORATION. 未经REGAL-BELOIT CORPORATION书面授权, 不得泄露、复制、传播或作其他用途。—版权所有 | | |

| | | |
|---------|---|--------------------------|
| 名称 | | REGAL-BELOIT CORPORATION |
| OUTLINE | | |
| 图幅 | C | 图号 |
| 比例 | | BN34V1 |
| NONE | | 页号 |
| | | 1 |

ASME Y14.5M 1994