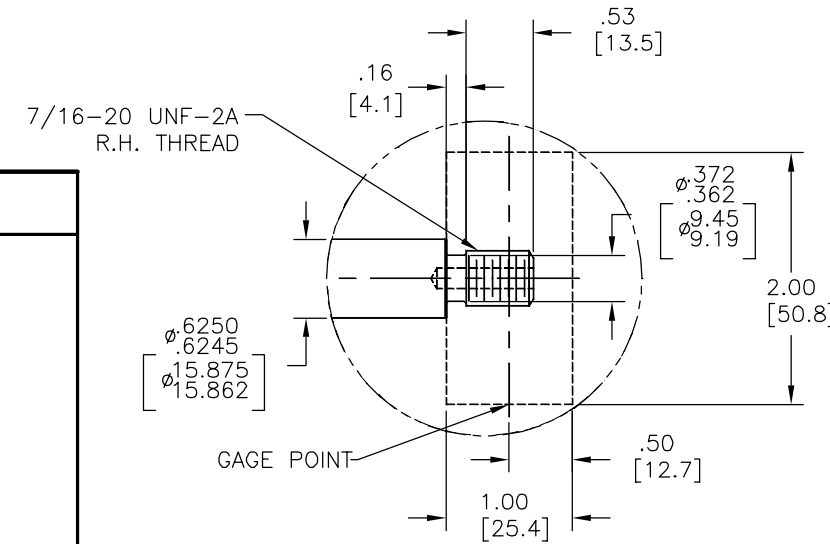
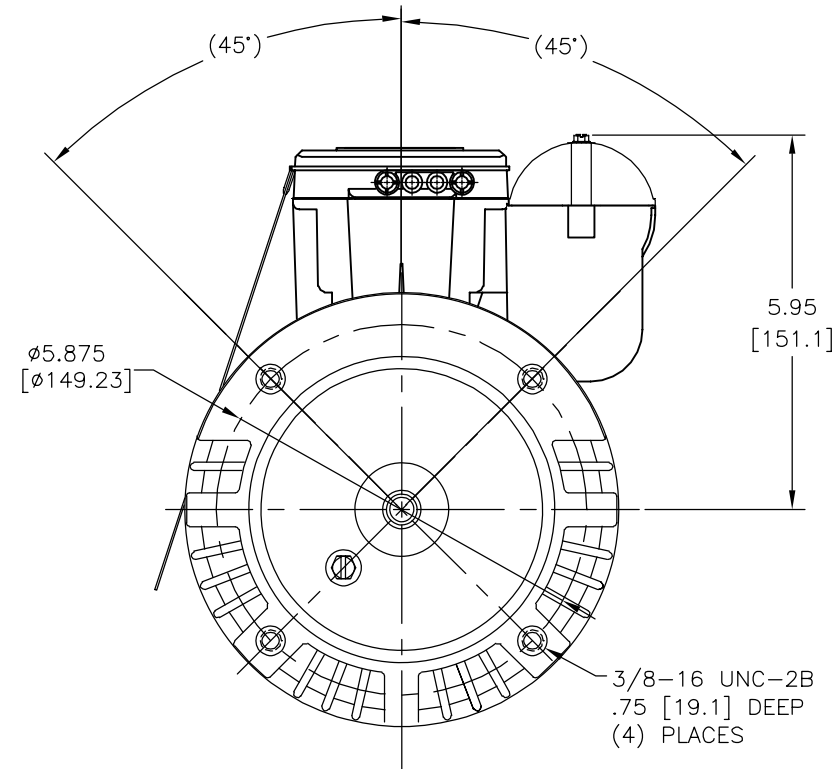
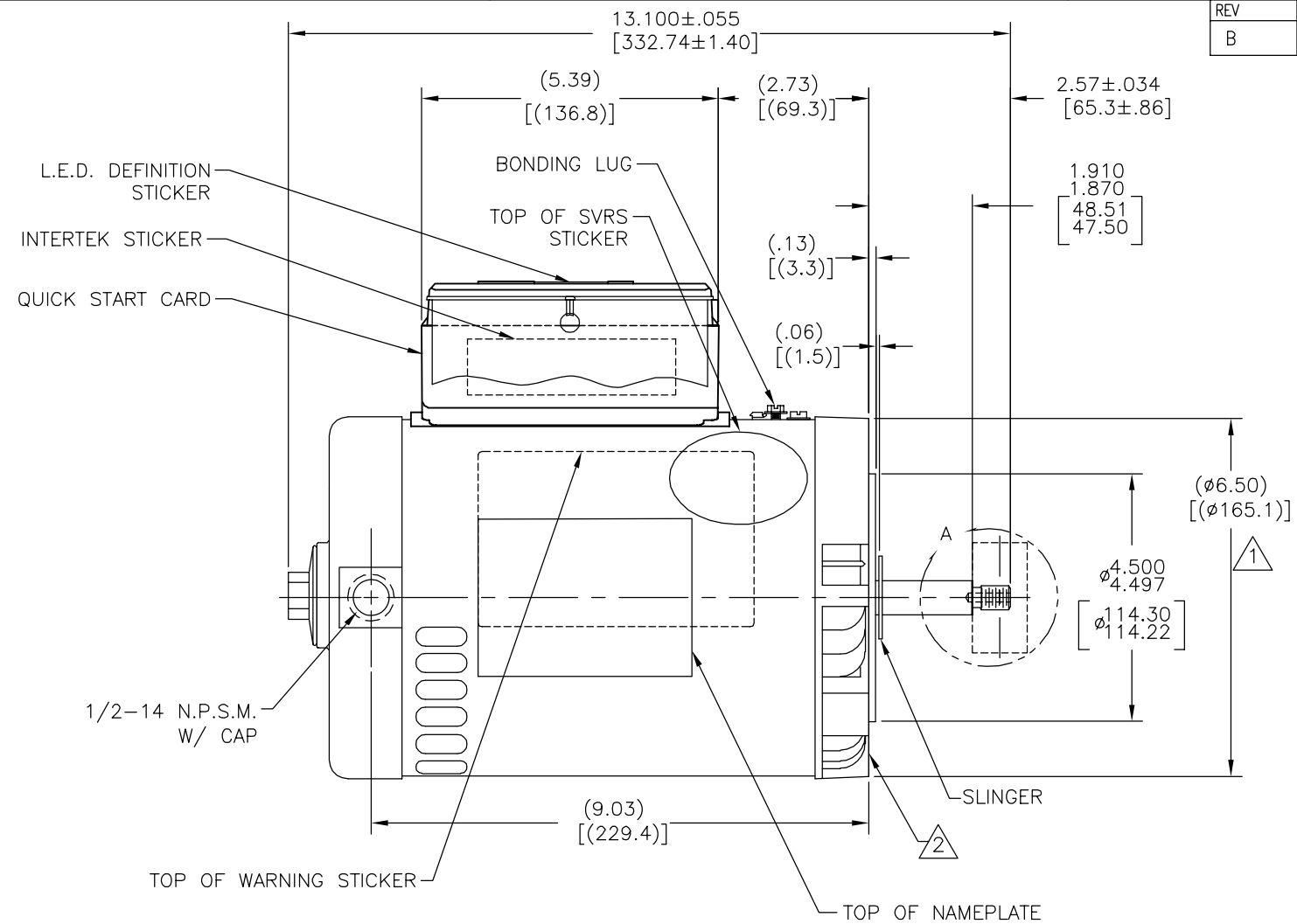


REV	ECO	REV BY	DATE	APPD	DATE
B	0021387	P.ZHU	07-05-2011	B.SHEN	07-05-2011



DETAIL A
SCALE 1:1

NAMEPLATE DATA	EXTERNAL CONNECTION DIAGRAM	NOTES
MODEL: F56AA38A01 CUST PN: BG130A HP: 2.0 SF: 1.2 ROT: CCWPE RPM: 3450 TYPE: CX CODE: G FORM: KJM FRAME: X56J VOLTS: 230 AMPS: MAX AMPS: SF AMPS: 10.5 PH: 1 HZ: 60 INS: B AMB: 50°C DUTY: CONT ENCLOSURE: ODP THERMALLY PROTECTED		1. PILOT DIAMETER IS CONCENTRIC WITH SHAFT CENTERLINE WITHIN .004 T.I.R. 2. FACE OF MOUNTING FLANGE IS PERPENDICULAR TO SHAFT CENTERLINE WITHIN .004 T.I.R. 3. SHAFT RUNOUT NOT TO EXCEED .002 T.I.R. 4. END PLAY NOT TO EXCEED .010 MEASURED WITH NO THRUST 5. FINISH PAINT TO BE SATIN BLACK

PERFORMANCE CURVE	APPROVED SAMPLE		
15593311			
UL COMPONENT	CSA		
FILE#	CCN#	FILE#	GUIDE#
PENDING	PENDING	PENDING	PENDING
CUSTOMER	DISTRIBUTION SERVICES		

GEOMETRIC CHARACTERISTICS & SYMBOLS

- ▭ FLATNESS
- STRAIGHTNESS
- ∠ ANGULARITY
- ⊥ PERPENDICULARITY (SQUARENESS)
- // PARALLELISM
- ROUNDNESS (CIRCULARITY)
- ⊘ CYLINDRICITY
- △ PROFILE OF ANY SURFACE
- ∩ PROFILE OF ANY LINE
- ↗ RUNOUT
- ⊕ TRUE POSITION
- ⊙ CONCENTRICITY
- ≡ SYMMETRY

UNLESS OTHERWISE SPECIFIED DIM. TOLERANCES ARE AS FOLLOWS:

INCH X XX XXX XXXX
 ±.1 ±.02 ±.005 ±.0005
 mm ±0.5 ±0.13 ±0.013

ANG. ±.50 DEG
 REMOVE BURRS & BREAK SHARP EDGES:
 INCH .003-.015 mm 0.1-0.4

CORNER FILLETS TO:
 INCH .020 mm 0.5

MACHINE SURFACES:
 INCH 125 mm 3.2

METRIC DIMS. SHOWN IN [BRACKETS]

DR BY: JHENRY 06-08-09

APPD:

THIRD ANGLE PROJECTION

EDS DATE 02-22-2008
 FORMAT REV F

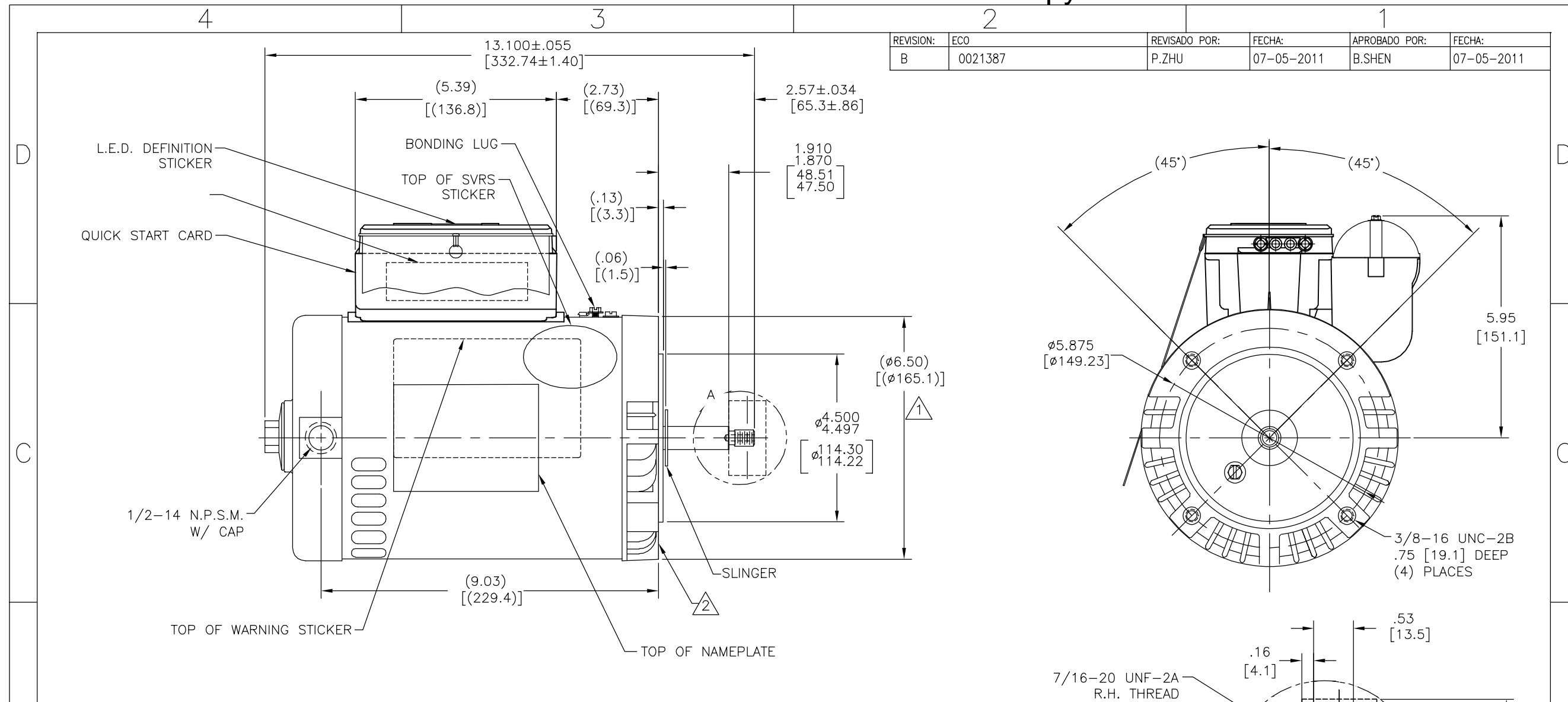
CONFIDENTIAL: THIS DRAWING AND ITS INFORMATION ARE THE EXCLUSIVE AND CONFIDENTIAL PROPERTY OF A.O. SMITH CORP. AND ARE NOT TO BE DISCLOSED, DUPLICATED, DISTRIBUTED OR OTHERWISE USED WITHOUT THE WRITTEN CONSENT OF A.O. SMITH CORP.
 -ALL RIGHTS RESERVED. ASME Y14.5M 1994

AC Smith **ELECTRICAL PRODUCTS COMPANY**
 Innovation has a name. A DIVISION OF A. O. SMITH CORPORATION

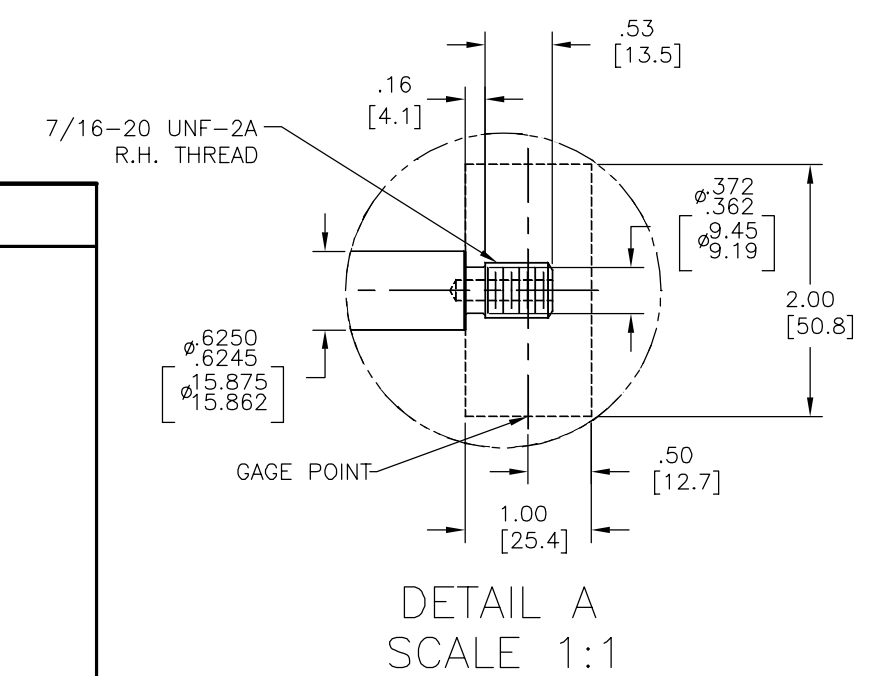
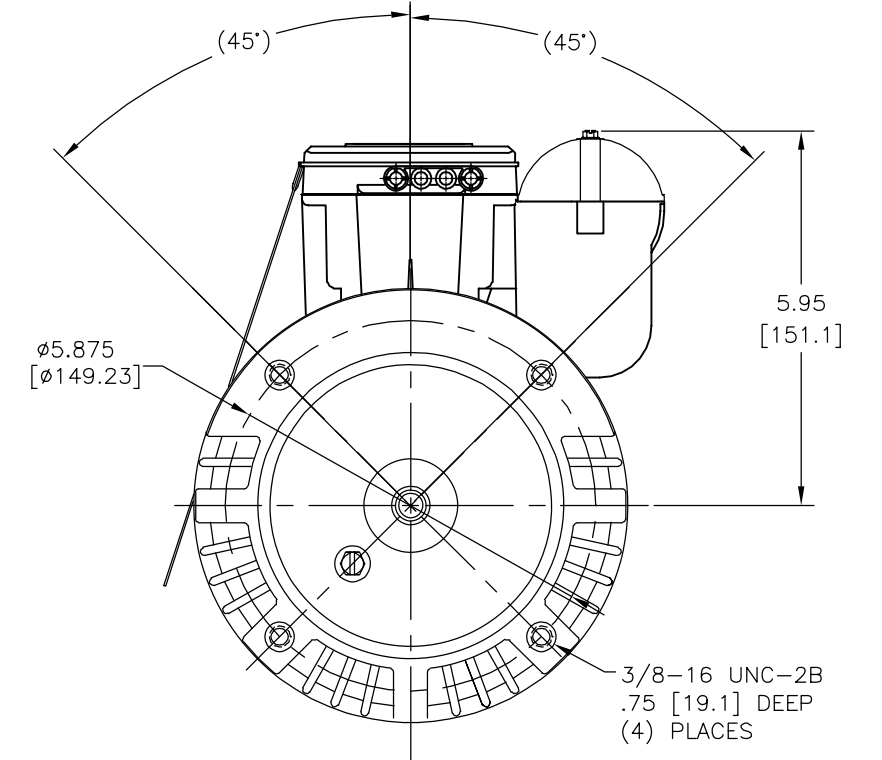
DESCRIPTION: OUTLINE

SIZE: C DWG NO: BG130A

SCALE: NONE SHEET: 1



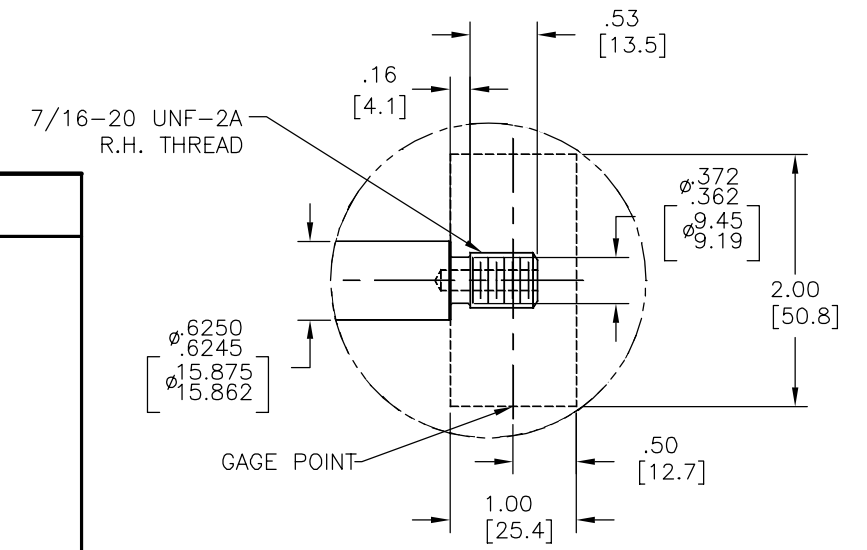
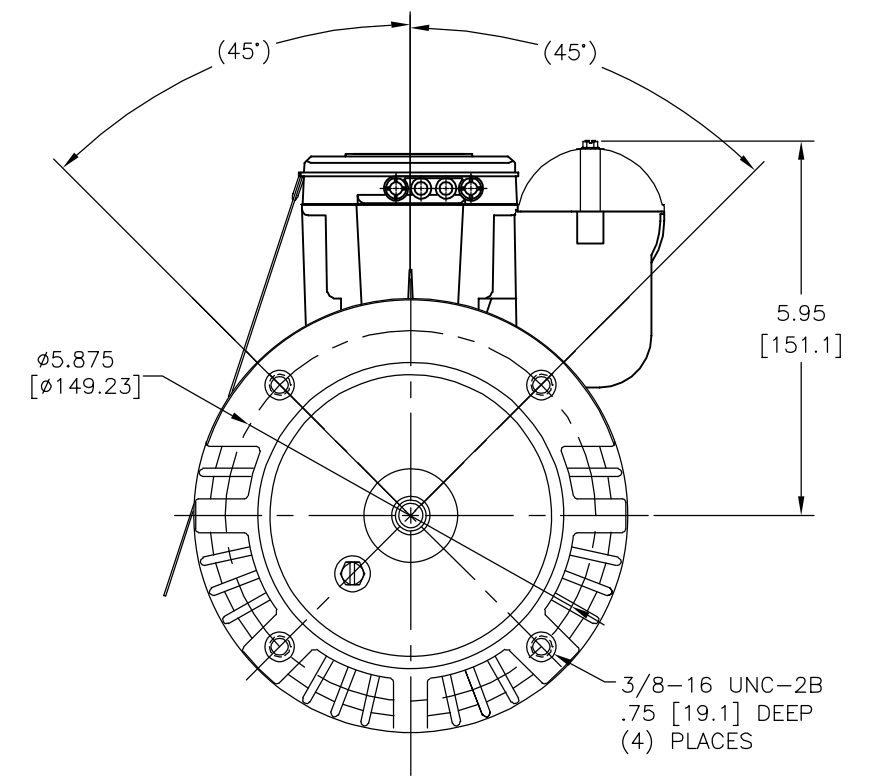
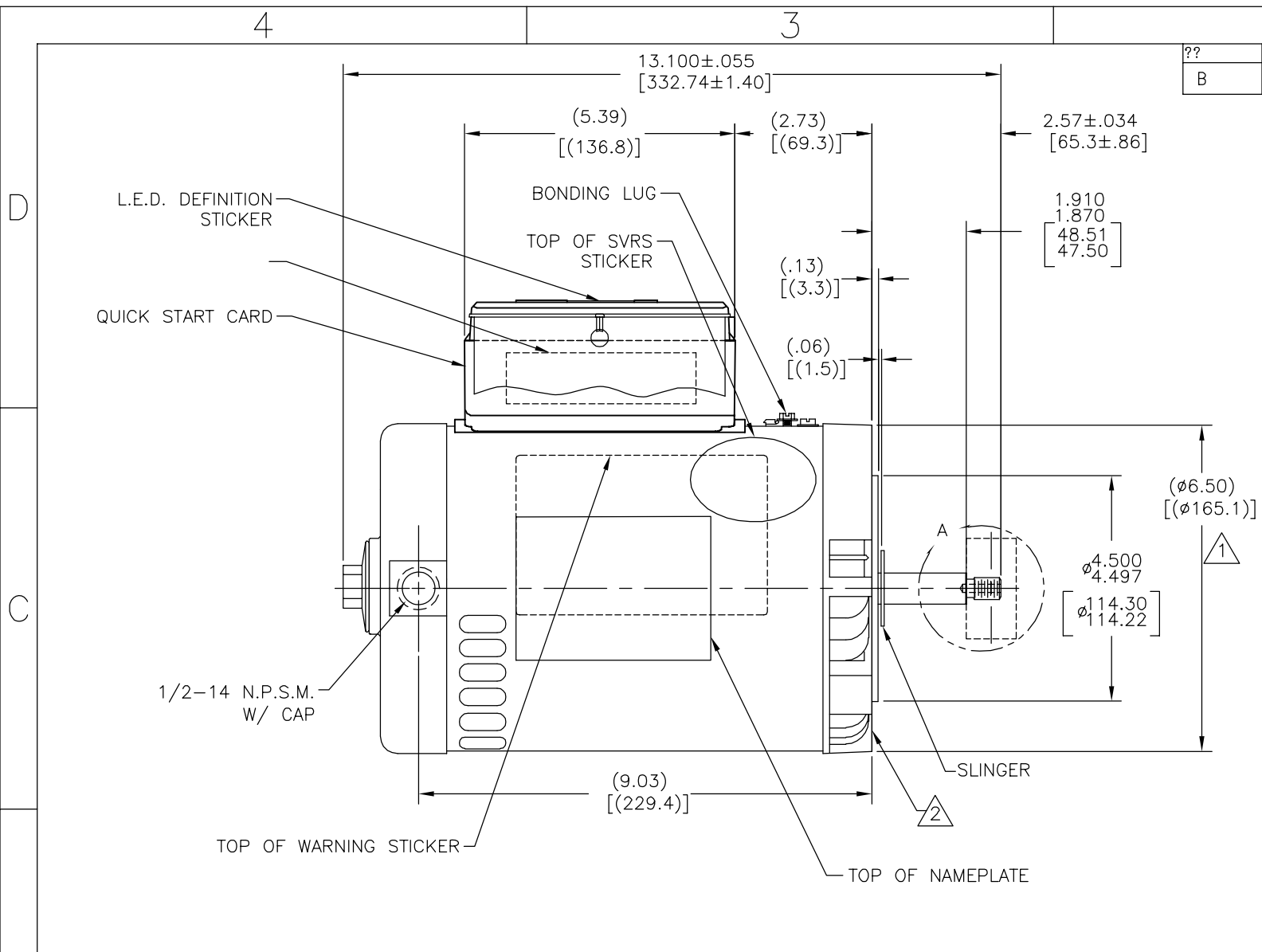
REVISION: ECO	REVISADO POR: P.ZHU	FECHA: 07-05-2011	APROBADO POR: B.SHEN	FECHA: 07-05-2011
B	0021387			



NAMEPLATE DATA	EXTERNAL CONNECTION DIAGRAM	NOTES
MODEL: F56AA38A01 CUST PN: BG130A HP: 2.0 SF: 1.2 ROT: CCWPE RPM: 3450 TYPE: CX FORM: KJM VOLTS: 230 AMPS: MAX AMPS: SF AMPS: 10.5 PH: 1 INS: B DUTY: CONT ENCLOSURE: ODP THERMALLY PROTECTED		⚠️ PILOT DIAMETER IS CONCENTRIC WITH SHAFT CENTERLINE WITHIN .004 T.I.R. ⚠️ FACE OF MOUNTING FLANGE IS PERPENDICULAR TO SHAFT CENTERLINE WITHIN .004 T.I.R. 3. SHAFT RUNOUT NOT TO EXCEED .002 T.I.R 4. END PLAY NOT TO EXCEED .010 MEASURED WITH NO THRUST 5. FINISH PAINT TO BE SATIN BLACK

PERFORMANCE CURVE 15593311	APPROVED SAMPLE CSA	CARACTERISTICAS DE GEOMETRIA Y SIMBOLOS ▽ PLANICIDAD — RECTITUD ∠ ANGULARIDAD ⊥ PERPENDICULARIDAD (A ESCUADRA) // PARALELISMO ○ REDONDEZ (CIRCULARIDAD) ∅ CILINDRICIDAD △ PERFIL DE CUALQUIER SUPERFICIE ▲ PERFIL DE CUALQUIER LINEA ↗ VARIACION ⊕ POSICION REAL ⊙ CONCENTRICIDAD = SIMETRIA	DIBUJADO POR: JHENRY APROBADO POR: TERCER ANGULO DE PROYECCION	06-08-09 FECHA EDS: 02-22-2008 REV. FORMATO: F	AC Smith Innovation has a name. ELECTRICAL PRODUCTS COMPANY A DIVISION OF A. O. SMITH CORPORATION
UL COMPONENT FILE# CCN# FILE# GUIDE# PENDING PENDING PENDING PENDING	CUSTOMER DISTRIBUTION SERVICES		A MENOS QUE SE ESPECIFIQUE DE OTRA MANERA, LAS TOLERANCIAS DE LAS DIMS; SON LAS SIGUIENTES: PULG ±.1 ±.02 ±.005 ±.0005 mm ±0.5 ±0.13 ±0.013 ANG. ± 50 GRADOS ELIMINAR REBABAS Y ORILLAS FILOSAS DEL BORDE. PULG .003-.015 mm 0.1-0.4 FILETEAR ESQUINA: PULG .020 mm 0.5 MAQUINAR SUPERFICIES PULG 125 mm .32 DIMS METRICAS MOSTRADAS [PARENTESIS]	DESCRIPCION: OUTLINE TAMAÑO: C NUMERO DE DIBUJO: BG130A ESCALA: NONE HOJA: 1	

??	ECO	??	??	??	??
B	0021387	P.ZHU	07-05-2011	B.SHEN	07-05-2011



DETAIL A
SCALE 1:1

NAMEPLATE DATA	EXTERNAL CONNECTION DIAGRAM	NOTES
MODEL: F56AA38A01 CUST PN: BG130A HP: 2.0 SF: 1.2 ROT: CCWPE RPM: 3450 TYPE: CX CODE: G FORM: KJM FRAME: X56J VOLTS: 230 AMPS: MAX AMPS: SF AMPS: 10.5 PH: 1 HZ: 60 INS: B AMB: 50°C DUTY: CONT ENCLOSURE: ODP THERMALLY PROTECTED		1. PILOT DIAMETER IS CONCENTRIC WITH SHAFT CENTERLINE WITHIN .004 T.I.R. 2. FACE OF MOUNTING FLANGE IS PERPENDICULAR TO SHAFT CENTERLINE WITHIN .004 T.I.R. 3. SHAFT RUNOUT NOT TO EXCEED .002 T.I.R. 4. END PLAY NOT TO EXCEED .010 MEASURED WITH NO THRUST 5. FINISH PAINT TO BE SATIN BLACK

PERFORMANCE CURVE	APPROVED SAMPLE		
15593311			
UL COMPONENT	CSA		
FILE#	CCN#	FILE#	GUIDE#
PENDING	PENDING	PENDING	PENDING
CUSTOMER	DISTRIBUTION SERVICES		

□?? -?? <?? ↑?? //?? ○?? △?? ∇?? ∠?? ⊕?? ⊗?? =??	X XX XXX XXXX ±.1 ±.02 ±.005 ±.0005 ±0.5 ±0.13 ±0.013 ±50 ? .003-.015 ?? 0.1-0.4 .020 ?? 0.5 125 ?? 3.2
---	---

JHENRY	06-08-09
02-22-2008	F
A.O.SMITH A.O.SMITH ASME Y14.5M 1994	

ACSmith Innovation has a name.		ELECTRICAL PRODUCTS COMPANY A DIVISION OF A. O. SMITH CORPORATION	
OUTLINE			
C	BG130A		
NONE			1