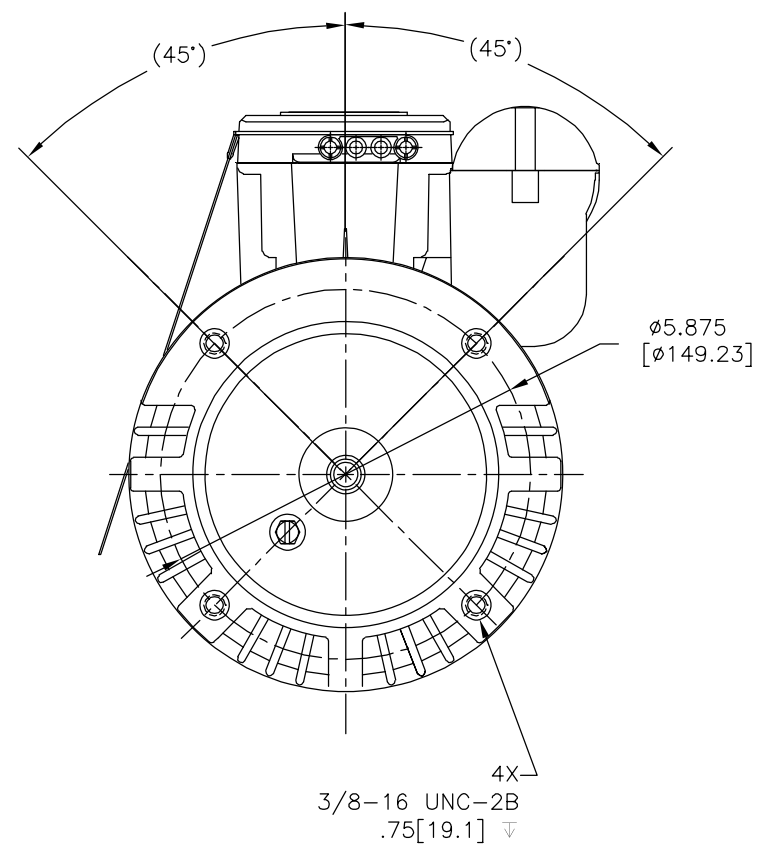
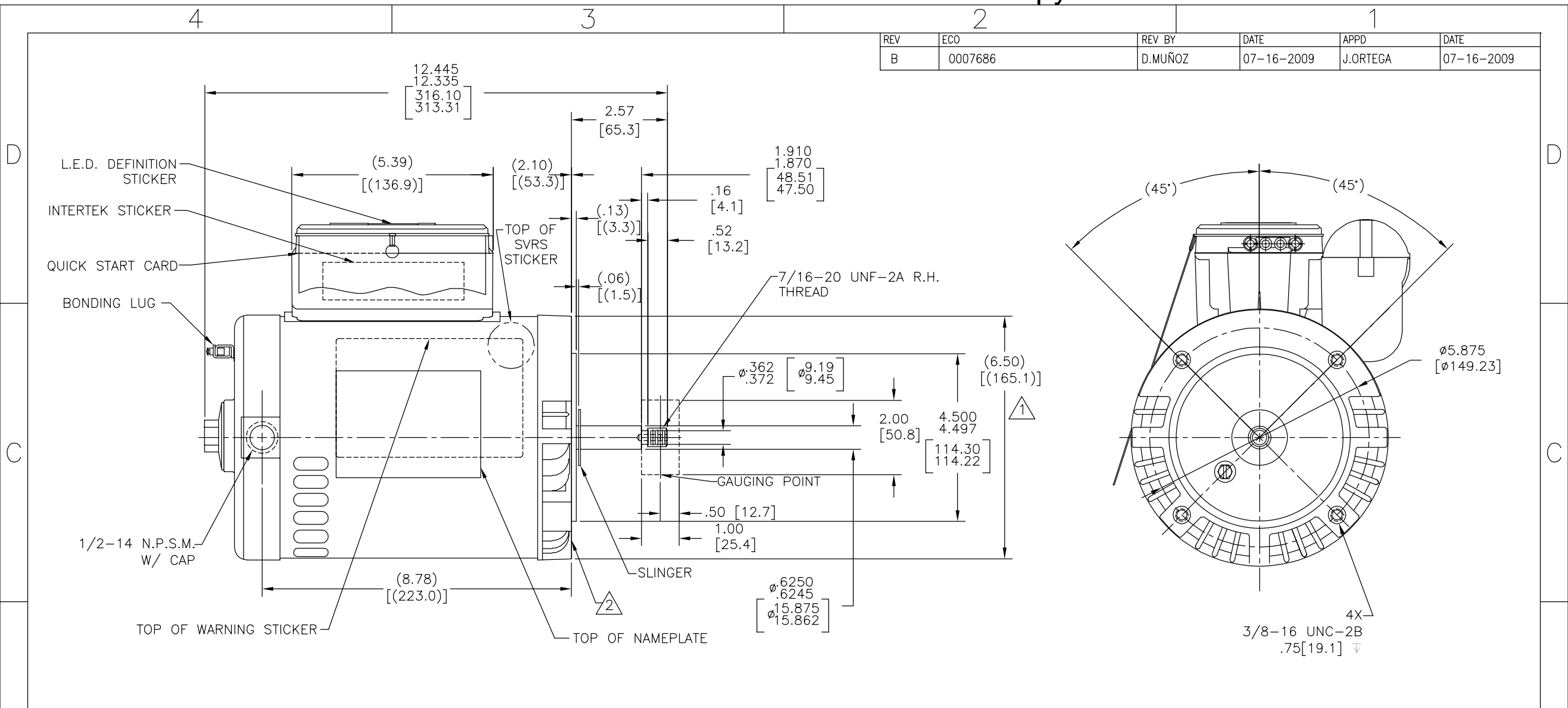


|     |         |         |            |          |            |
|-----|---------|---------|------------|----------|------------|
| REV | ECO     | REV BY  | DATE       | APPD     | DATE       |
| B   | 0007686 | D.MUÑOZ | 07-16-2009 | J.ORTEGA | 07-16-2009 |



| NAMEPLATE DATA   | EXTERNAL CONNECTION DIAGRAM | NOTES  |
|--|-----------------------------|--|
| MODEL: F56AA29A01<br>CUST PN: BG128A<br>HP: 1.0 SF: 1.40<br>ROT: CCWPE<br>RPM: 3450<br>TYPE: CX CODE: J<br>FORM: FRAME: M56J<br>VOLTS: 230/115<br>AMPS:<br>MAX AMPS:<br>SF AMPS: 7.2/14.4<br>PH: 1 HZ: 60<br>INS: B AMB: 50°C<br>DUTY: CONT<br>ENCLOSURE: ODP<br>THERMALLY PROTECTED |                             | <ul style="list-style-type: none"> <li>1. PILOT DIAMETER IS CONCENTRIC WITH SHAFT CENTERLINE WITHIN .004[.10] T.I.R.</li> <li>2. FACE OF MOUNTING FLANGE IS PERPENDICULAR TO SHAFT CENTERLINE WITHIN .004[.10] T.I.R.</li> <li>3. SHAFT RUNOUT NOT TO EXCEED .002[.05] T.I.R</li> <li>4. END PLAY NOT TO EXCEED .010[.25] MEASURED WITH NO THRUST.</li> <li>5. FINISH PAINT TO BE SATIN BLACK</li> </ul> |

|                   |                       |         |         |
|-------------------|-----------------------|---------|---------|
| PERFORMANCE CURVE | APPROVED SAMPLE       |         |         |
| 16345211          |                       |         |         |
| UL COMPONENT      | CSA                   |         |         |
| FILE#             | CCN#                  | FILE#   | GUIDE#  |
| PENDING           | PENDING               | PENDING | PENDING |
| CUSTOMER          | DISTRIBUTION SERVICES |         |         |

GEOMETRIC CHARACTERISTICS & SYMBOLS

- FLATNESS
- STRAIGHTNESS
- ∠ ANGULARITY
- ⊥ PERPENDICULARITY (SQUARENESS)
- // PARALLELISM
- ROUNDNESS (CIRCULARITY)
- ⊘ CYLINDRICITY
- △ PROFILE OF ANY SURFACE
- ∇ PROFILE OF ANY LINE
- ↗ RUNOUT
- ⊕ TRUE POSITION
- ⊙ CONCENTRICITY
- ≡ SYMMETRY

UNLESS OTHERWISE SPECIFIED DIM. TOLERANCES ARE AS FOLLOWS:

INCH X XX XXX XXXX  
 mm ±0.5 ±0.13 ±0.013

ANG. ±.50 DEG

REMOVE BURRS & BREAK SHARP EDGES:  
 INCH .003-.015 mm 0.1-0.4

CORNER FILLETS TO:  
 INCH .020 mm 0.5

MACHINE SURFACES:  
 INCH 125 mm 3.2

METRIC DIMS. SHOWN IN [BRACKETS]

DR BY: JHENRY 03-16-09

APPD:

THIRD ANGLE PROJECTION

EDS DATE 02-22-2008  
 FORMAT REV F

CONFIDENTIAL: THIS DRAWING AND ITS INFORMATION ARE THE EXCLUSIVE AND CONFIDENTIAL PROPERTY OF A.O. SMITH CORP. AND ARE NOT TO BE DISCLOSED, DUPLICATED, DISTRIBUTED OR OTHERWISE USED WITHOUT THE WRITTEN CONSENT OF A.O. SMITH CORP.  
 -ALL RIGHTS RESERVED. ASME Y14.5M 1994

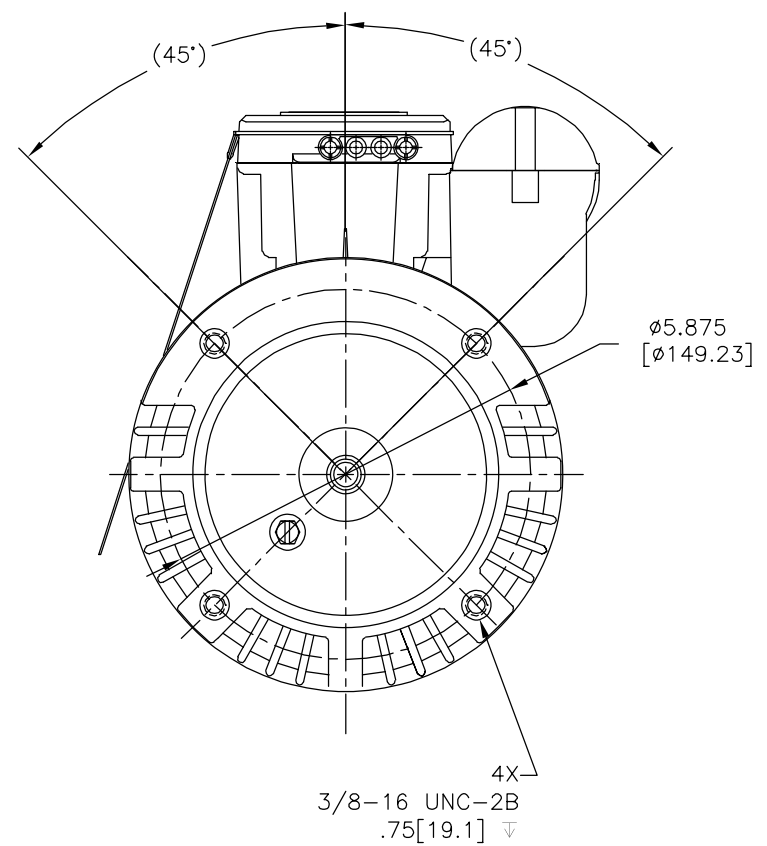
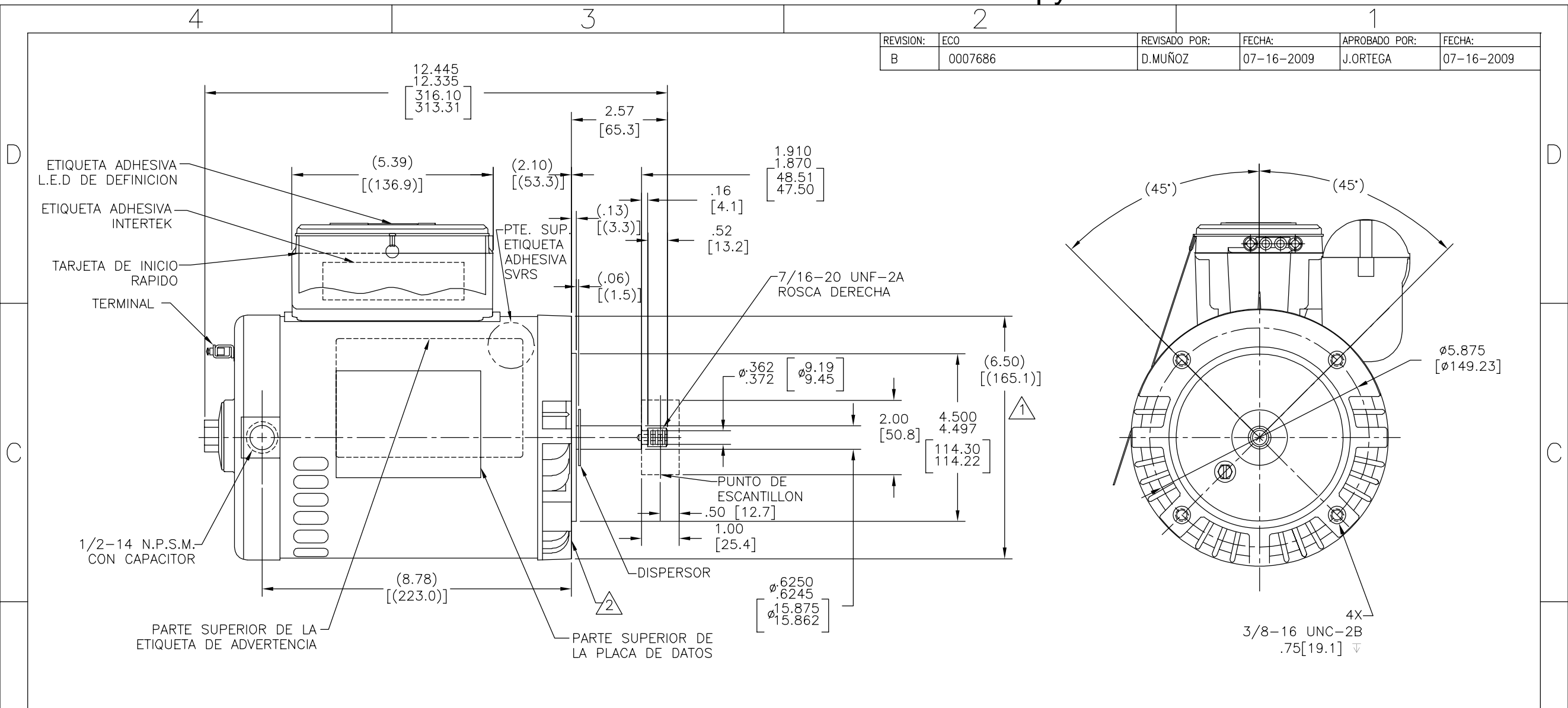
**ACSmith** **ELECTRICAL PRODUCTS COMPANY**  
 Innovation has a name. A DIVISION OF A. O. SMITH CORPORATION

DESCRIPTION: **OUTLINE**

SIZE: C DWG NO: **BG128A**

SCALE: NONE SHEET 1

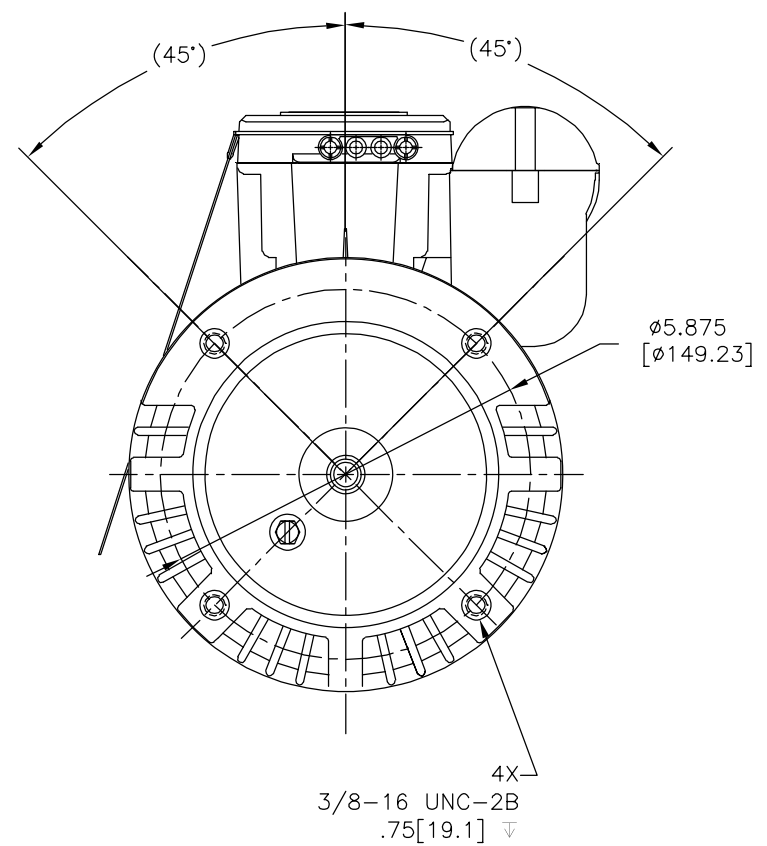
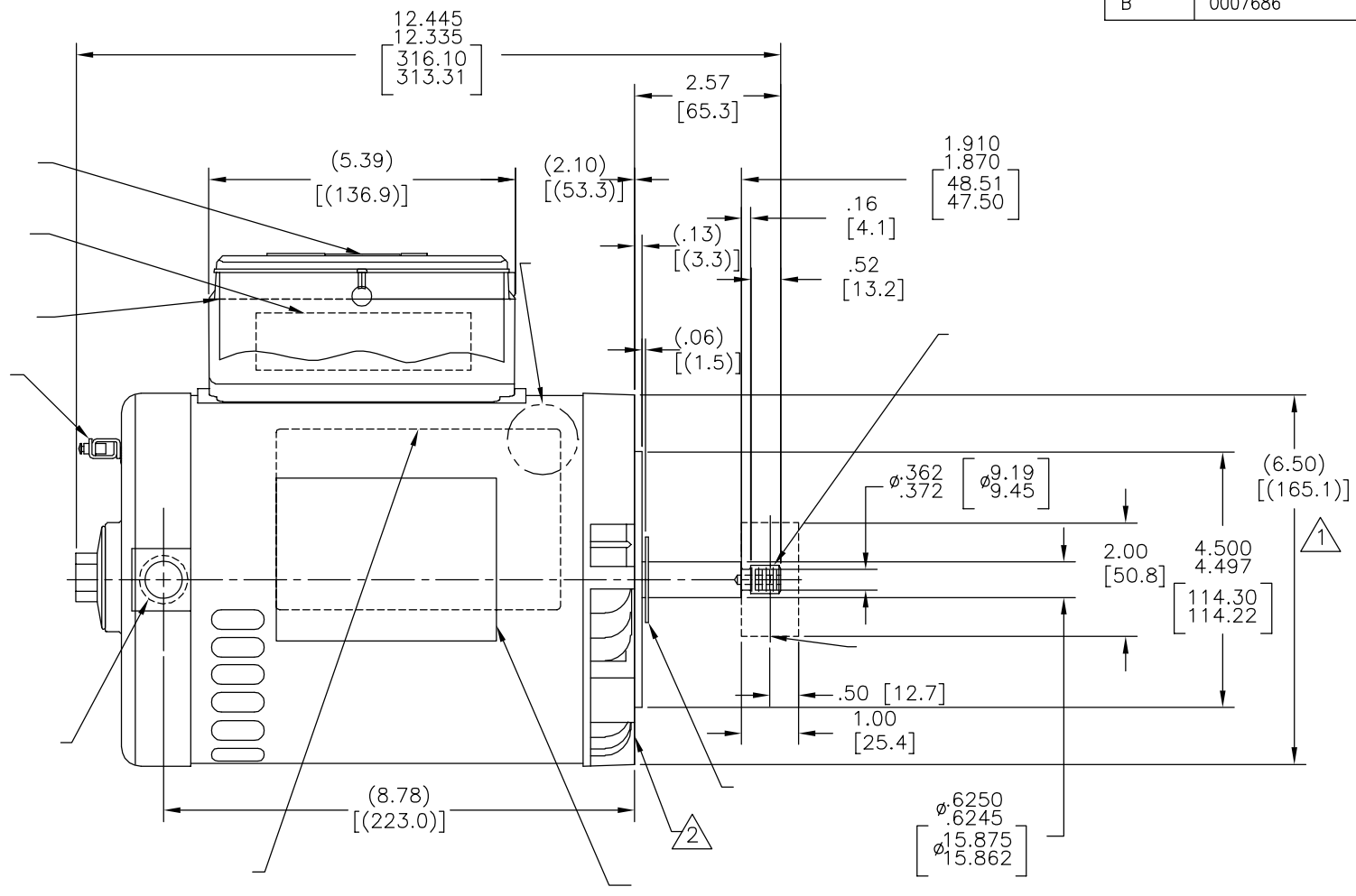
|           |         |               |            |               |            |
|-----------|---------|---------------|------------|---------------|------------|
| REVISION: | ECO     | REVISADO POR: | FECHA:     | APROBADO POR: | FECHA:     |
| B         | 0007686 | D.MUÑOZ       | 07-16-2009 | J.ORTEGA      | 07-16-2009 |



| NAMEPLATE DATA   | EXTERNAL CONNECTION DIAGRAM | NOTES   |
|--|-----------------------------|---|
| MODEL: F56AA29A01<br>CUST PN: BG128A<br>HP: 1.0 SF: 1.40<br>ROT: CCWPE<br>RPM: 3450<br>TYPE: CX CODE: J<br>FORM: FRAME: M56J<br>VOLTS: 230/115<br>AMPS:<br>MAX AMPS:<br>SF AMPS: 7.2/14.4<br>PH: 1 HZ: 60<br>INS: B AMB: 50°C<br>DUTY: CONT<br>ENCLOSURE: ODP<br>THERMALLY PROTECTED |                             | 1. DIAMETRO PILOTO ES CONCENTRICO CON LA LINEA DE CENTRO DE LA FLECHA DENTRO DE .004[.10] L.T.I<br>2. FLANCO DE LA SUPERFICIE DE MONTAJE ES PERPENDICULAR A LA LINEA DE CENTRO DE LA FLECHA DENTRO DE .004[.10] L.T.I<br>3. OSCILACION DE LA FLECHA NO EXCEDA DE .002[.05] L.T.I<br>4. JUEGO AXIAL NO EXCEDE DE .010[.25] MEDIDO SIN EMPUJE<br>5. PINTURA DE ACABADO DEBE SER NEGRO SATINADO. |

|                   |                 |   |  |   |   |
|-------------------|-----------------|---|--|---|---|
| PERFORMANCE CURVE | APPROVED SAMPLE | CARACTERISTICAS DE GEOMETRIA Y SIMBOLOS<br>□ PLANICIDAD<br>— RECTITUD<br>∠ ANGULARIDAD<br>⊥ PERPENDICULARIDAD (A ESCUADRA)<br>// PARALELISMO<br>○ REDONDEZ (CIRCULARIDAD)<br>∅ CILINDRICIDAD<br>△ PERFIL DE CUALQUIER SUPERFICIE<br>▲ PERFIL DE CUALQUIER LINEA<br>↗ VARIACION<br>⊕ POSICION REAL<br>⊙ CONCENTRICIDAD<br>= SIMETRIA | A MENOS QUE SE ESPECIFIQUE DE OTRA MANERA, LAS TOLERANCIAS DE LAS DIMS; SON LAS SIGUIENTES:<br>PULG ±.1 ±.02 ±.005 ±.0005<br>mm ±0.5 ±0.13 ±0.013<br>ANG. ± 50 GRADOS<br>ELIMINAR REBABAS Y ORILLAS FILOSAS DEL BORDE.<br>PULG .003-.015 mm 0.1-0.4<br>FILETEAR ESQUINA: PULG .020 mm 0.5<br>MAQUINAR SUPERFICIES<br>PULG 125 mm 3.2<br>DIMS METRICAS MOSTRADAS [PARENTESIS] | DIBUJADO POR: JHENRY<br>APROBADO POR:<br>TERCER ANGULO DE PROYECCION<br>FECHA EDS: 02-22-2008<br>REV. FORMATO: F  | 03-16-09<br>DESCRIPCION:<br>OUTLINE<br>TAMAÑO: C<br>NUMERO DE DIBUJO: BG128A<br>ESCALA: NONE<br>HOJA: 1 |
| 16345211          | CSA             |   | UL COMPONENT<br>FILE# CCN# FILE# GUIDE#<br>PENDING PENDING PENDING PENDING<br>CUSTOMER DISTRIBUTION SERVICES   | DIBUJO: JHENRY<br>APROBADO POR:<br>TERCER ANGULO DE PROYECCION<br>FECHA EDS: 02-22-2008<br>REV. FORMATO: F<br>CONFIDENCIAL: ESTE DIBUJO Y SU INFORMACION SON PROPIEDAD DE USO EXCLUSIVO Y CONFIDENCIAL DE A.O.SMITH CORP. Y NO DEBERAN SER REVELADOS, DUPLICADOS, DISTRIBUIDOS O USARSE DE OTRA MANERA SIN EL CONSENTIMIENTO ESCRITO DE A.O. SMITH CORP.<br>-TODOS LOS DERECHOS RESERVADOS.ASME Y14.5M 1994 | 03-16-09<br>DESCRIPCION:<br>OUTLINE<br>TAMAÑO: C<br>NUMERO DE DIBUJO: BG128A<br>ESCALA: NONE<br>HOJA: 1 |

|    |         |         |            |          |            |
|----|---------|---------|------------|----------|------------|
| ?? | ECO     | ??      | ??         | ??       | ??         |
| B  | 0007686 | D.MUÑOZ | 07-16-2009 | J.ORTEGA | 07-16-2009 |



| NAMEPLATE DATA   | EXTERNAL CONNECTION DIAGRAM | NOTES |
|--|-----------------------------|-------|
| MODEL: F56AA29A01<br>CUST PN: BG128A<br>HP: 1.0 SF: 1.40<br>ROT: CCWPE<br>RPM: 3450<br>TYPE: CX CODE: J<br>FORM: FRAME: M56J<br>VOLTS: 230/115<br>AMPS:<br>MAX AMPS:<br>SF AMPS: 7.2/14.4<br>PH: 1 HZ: 60<br>INS: B AMB: 50°C<br>DUTY: CONT<br>ENCLOSURE: ODP<br>THERMALLY PROTECTED |                             |       |

|  |                 |          |              |     |       |      |       |        |         |         |         |         |          |                       |
|--|-----------------|----------|--------------|-----|-------|------|-------|--------|---------|---------|---------|---------|----------|-----------------------|
| PERFORMANCE CURVE  | APPROVED SAMPLE | 16345211 | UL COMPONENT | CSA | FILE# | CCN# | FILE# | GUIDE# | PENDING | PENDING | PENDING | PENDING | CUSTOMER | DISTRIBUTION SERVICES |
| <p>           JHENRY 03-16-09<br/>           02-22-2008 F<br/>           A.O. SMITH<br/>           ASME Y14.5M 1994         </p> |                 |          |              |     |       |      |       |        |         |         |         |         |          |                       |

**ACSmith** ELECTRICAL PRODUCTS COMPANY  
 Innovation has a name. A DIVISION OF A. O. SMITH CORPORATION  
 OUTLINE  
 C BG128A  
 NONE 1

D  
C  
B  
A  
4  
3  
2  
1

D  
C  
B  
A  
4  
3  
2  
1