

# BADU® EcoMV (2.4 THP)



## Variable Speed Pump

The Speck Badu EcoMV all-plastic, self-priming variable speed pool pump is designed for small commercial and large residential pools and spas. The pump design has been engineered for incredible durability, superior performance, and quiet operation. Speck continues to set standards for the future by using 100% recyclable plastics which benefit the consumer and the environment.



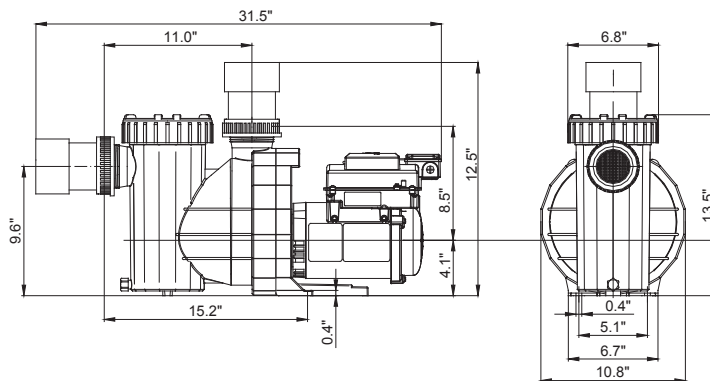
CONFORMS TO NSF/ANSI STD 50



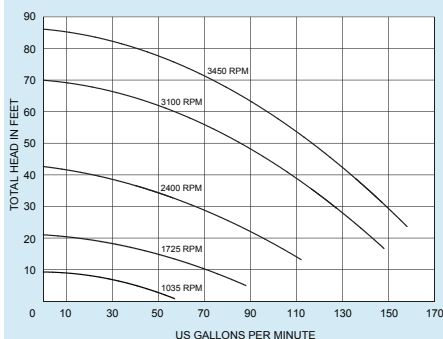
BADU EcoMV/72-V

## features

- This high performance, medium head pump comes complete with our unique mechanical shaft seal that allows the pump, if mistreated, to run dry for up to one hour.
- Pump parts are made of 100% recyclable plastic. Non-corrosive, chemical/UV resistant, and can withstand temperatures of up to 175° F.
- The pump can be used for pool water with a salt concentration of up to 5000 ppm.
- Suction and Discharge are equipped with 2" quick disconnect unions for easy installation and maintenance. Optional 3" available.
- Permanent magnet brushless DC motor 2.4 THP US Motors' EcoTech EZ™ motor. Motor has a built-in controller and LCD screen.
- RPM levels can be set to range from 1035 to 3450. The levels can be set in percentage of full at 5% increments of flow.
- Programmable high efficiency TEFC (totally enclosed fan cooled) motor 56 frame has the ultimate flexibility in motor speed and timer settings.
- Freeze protection feature will run motor at 30% flow.
- The key pad can be locked for safety.
- Can also be used with most other 3rd party electronic controllers.
- For pool users' safety, the impeller has a dielectric shaft sleeve that provides absolute separation between pool water and electric parts.
- Specially constructed clear lid with ring lock design is easy to open. Large strainer basket is always locked in place.
- Two year warranty on the motor and all pump parts, including normal wear of the mechanical seal.
- Every pump is performance tested before leaving the Speck factory.



## BADU® EcoMV PERFORMANCE CURVE



## BADU® EcoMV TECHNICAL DATA

MODEL	THP	VOLTS	PIPE SIZE	SHIPPING WEIGHT
Badu EcoMV/72-V	2.4	208-230	3"	55 lbs.

# BADU® EcoMV (3.45 THP)



## Variable Speed Pump

The Speck Badu EcoMV all-plastic, self-priming variable speed pool pump is designed for small commercial and large residential pools and spas. The pump design has been engineered for incredible durability, superior performance, and quiet operation. Speck continues to set standards for the future by using 100% recyclable plastics which benefit the consumer and the environment.



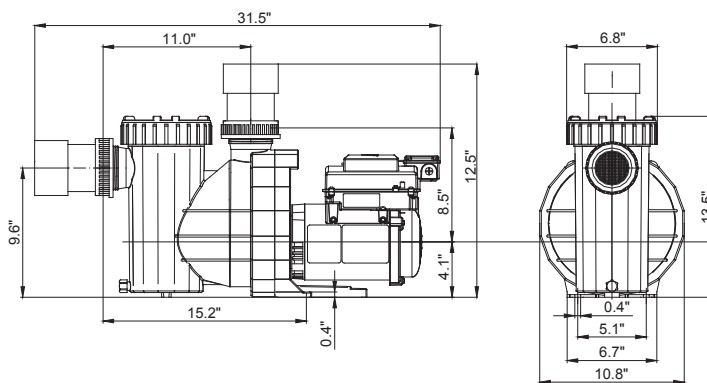
CONFORMS TO NSF/ANSI STD 50



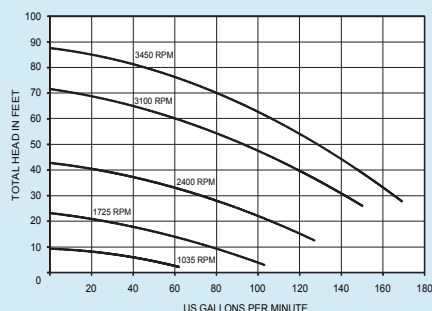
BADU EcoMV/72-VI

## features

- This high performance, medium head pump comes complete with our unique mechanical shaft seal that allows the pump, if mistreated, to run dry for up to one hour.
- Pump parts are made of 100% recyclable plastic. Non-corrosive, chemical/UV resistant, and can withstand temperatures of up to 175° F.
- The pump can be used for pool water with a salt concentration of up to 5000 ppm.
- Suction and discharge are equipped with 3" quick disconnect unions for easy installation and maintenance.
- Permanent magnet brushless DC motor 3.45 THP US Motors' EcoTech EZ™ motor. Motor has a built-in controller and LCD screen.
- RPM levels can be set to range from 1035 to 3450. The levels can be set in percentage of full at 5% increments of flow.
- Programmable high efficiency TEFC (totally enclosed fan cooled) motor 56 frame has the ultimate flexibility in motor speed and timer settings.
- Freeze protection feature will run motor at 30% flow.
- The key pad can be locked for safety.
- Can also be used with most other 3rd party electronic controllers.
- For pool users' safety, the impeller has a dielectric shaft sleeve that provides absolute separation between pool water and electric parts.
- Specially constructed clear lid with ring lock design is easy to open. Large strainer basket is always locked in place.
- Two year warranty on the motor and all pump parts, including normal wear of the mechanical seal.
- Every pump is performance tested before leaving the Speck factory.



## BADU® EcoMV PERFORMANCE CURVE



## BADU® EcoMV TECHNICAL DATA

MODEL	THP	VOLTS	PIPE SIZE	SHIPPING WEIGHT
Badu EcoMV/72-VI	3.45	208-230	3"	56 lbs.