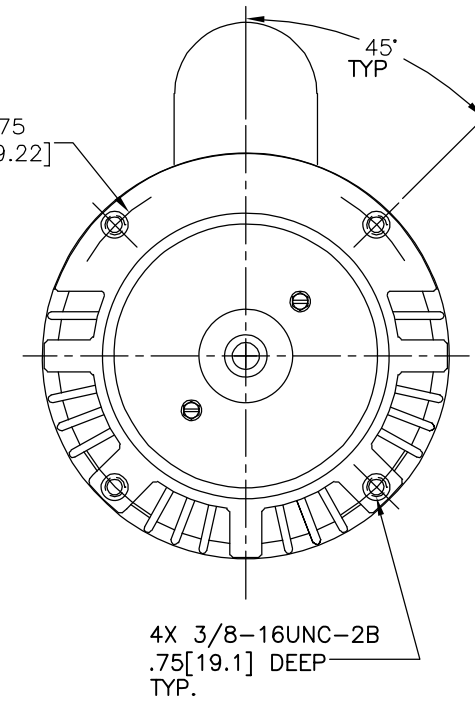
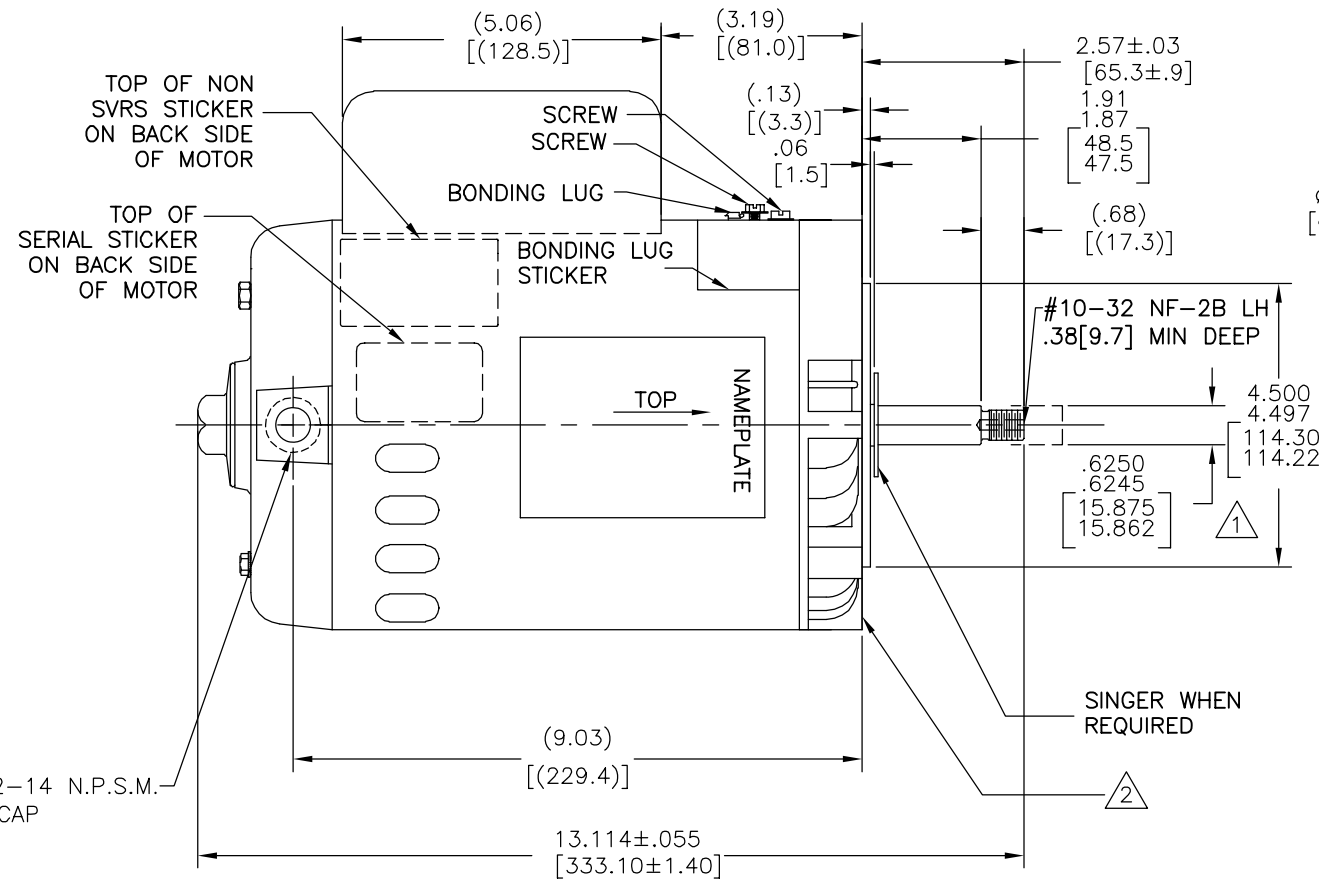
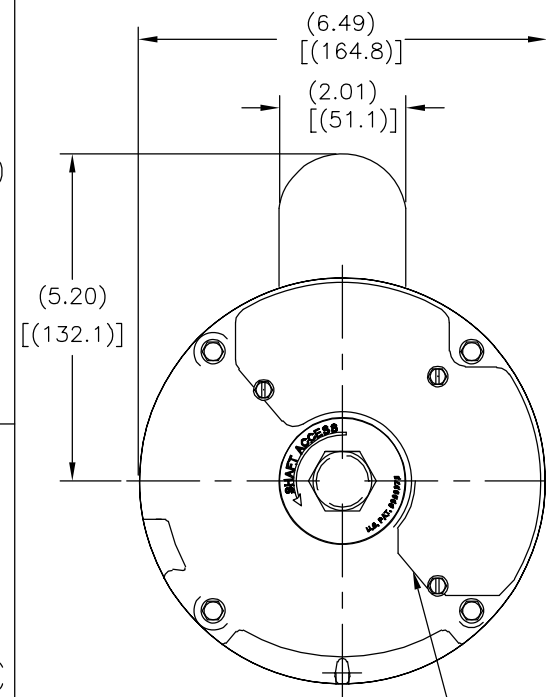
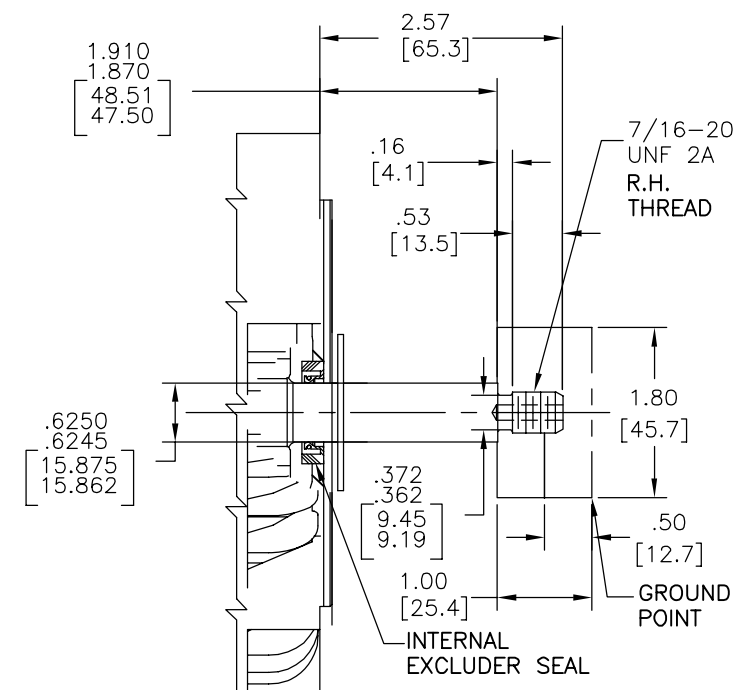


| REV | ECO | REV BY | DATE | APPD | DATE |
|-----|---------|--------|------------|--------|------------|
| F | 0024732 | B.ZHAO | 03-07-2012 | B.SHEN | 03-07-2012 |



56J SHAFT EXT. (JET PUMP)



| NAMEPLATE DATA | EXTERNAL CONNECTION DIAGRAM | NOTES |
|--|-----------------------------|---|
| MODEL: 177062 CUST PN: B977 HP: 1.5-2.0 SF: 1.30 ROT: CCWPE RPM: 3450/1725 TYPE: CXPM CODE: G FORM: KJM FRAME: X56J VOLTS: 230 AMPS: ---- MAX AMPS: SF 8.9/3.1 SF AMPS: - PH: 1 HZ: 60 INS: B AMB: 40°C DUTY: CONT ENCLOSURE: ODP THERMALLY PROTECTED | | <ol style="list-style-type: none"> PILOT DIA. IS CONCENTRIC WITH SHAFT CENTERLINE WITHIN .004[.10] T.I.R. FACE OF MOUNTING FLANGE IS PERPENDICULAR TO SHAFT CENTERLINE WITHIN .004[.10] T.I.R. SHAFT RUNOUT NOT TO EXCEED .002[.05] T.I.R. FOR THREADED SHAFT EXT. MATING PARTS SHOULD BE RELIEVED ONE THREAD TO CLEAR FILLET. FOR THREADED SHAFT EXT. ECCENTRICITY OF THREADED PORTION OF SHAFT IS HELD WITHIN .004[.10] TOTAL GAUGE READING WITH INDICATOR ON O.D. OF GROUND RING GAUGE AS SHOWN. THE GAUGE STATIONARY WITH RESPECT TO THE ROTOR. END PLAY NOT TO EXCEED .010[.25] MEASURED WITH NO THRUST. |

| | | | | |
|--------------------------------|-----------------|--|--|----------------------------|
| PERFORMANCE CURVE | APPROVED SAMPLE | GEOMETRIC CHARACTERISTICS & SYMBOLS □ FLATNESS - STRAIGHTNESS ∠ ANGULARITY ⊥ PERPENDICULARITY (SQUARENESS) // PARALLELISM ○ ROUNDNESS (CIRCULARITY) ∅ CYLINDRICITY ∩ PROFILE OF ANY SURFACE ∩ PROFILE OF ANY LINE † RUNOUT ⊕ TRUE POSITION ⊙ CONCENTRICITY ≡ SYMMETRY | UNLESS OTHERWISE SPECIFIED DIM. TOLERANCES ARE AS FOLLOWS: INCH X XX XXX XXXX ±.1 ±.02 ±.005 ±.0005 mm ±0.5 ±0.13 ±0.013 ANG. ±.50 DEG REMOVE BURRS & BREAK SHARP EDGES: INCH .003-.015 mm 0.1-0.4 CORNER FILLETS TO: INCH .020 mm 0.5 MACHINE SURFACES: INCH 125 mm 3.2 | DR BY: TOM ZHAO 07-10-2006 |
| 16331714 | --- | | | APPD: TDT 01-11-2001 |
| UL COMPONENT | CSA | THIRD ANGLE PROJECTION | CONFIDENTIAL: THIS DRAWING AND ITS INFORMATION ARE THE EXCLUSIVE AND CONFIDENTIAL PROPERTY OF REGAL-BELOIT CORPORATION AND ARE NOT TO BE DISCLOSED, DUPLICATED, DISTRIBUTED OR OTHERWISE USED WITHOUT THE WRITTEN CONSENT OF REGAL-BELOIT CORPORATION. -ALL RIGHTS RESERVED. | EDS DATE 11-11-2011 |
| FILE# CCN# FILE# GUIDE# | | | | FORMAT REV G |
| PENDING PENDING LR4642 4211-01 | | | | |
| CUSTOMER | DISTRIBUTION | | | |

| | |
|-------------|-------------|
| | |
| DESCRIPTION | OUTLINE |
| SIZE C | DWG NO B977 |
| SCALE NONE | SHEET 1 |

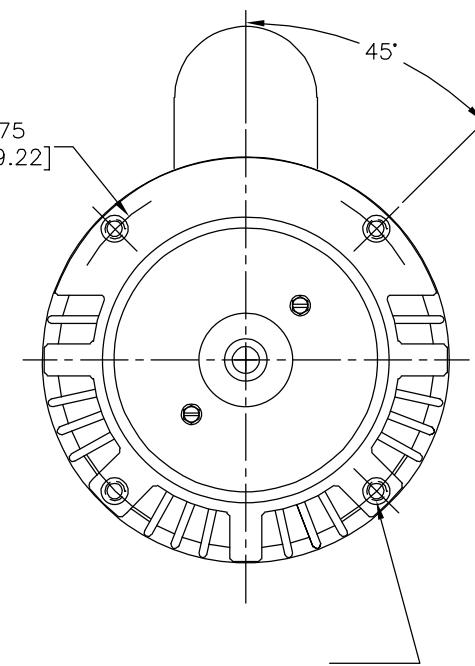
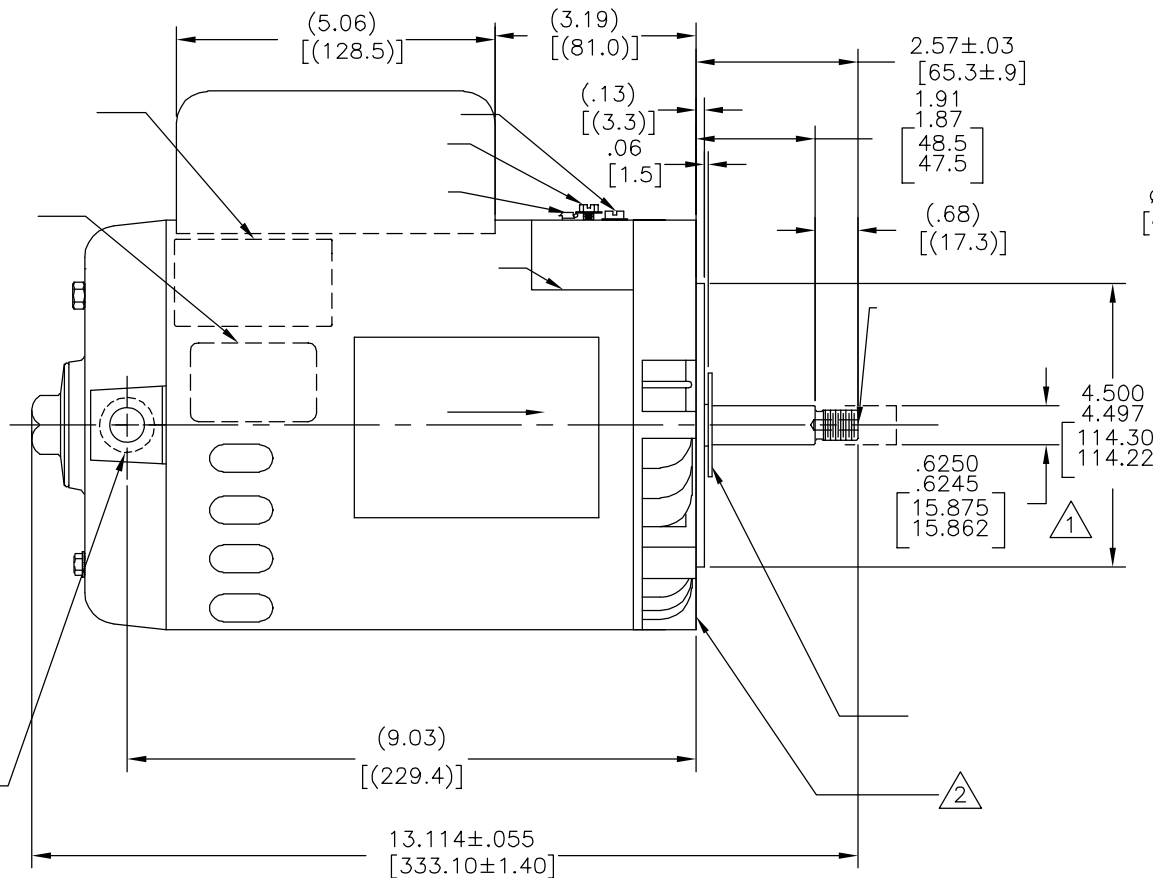
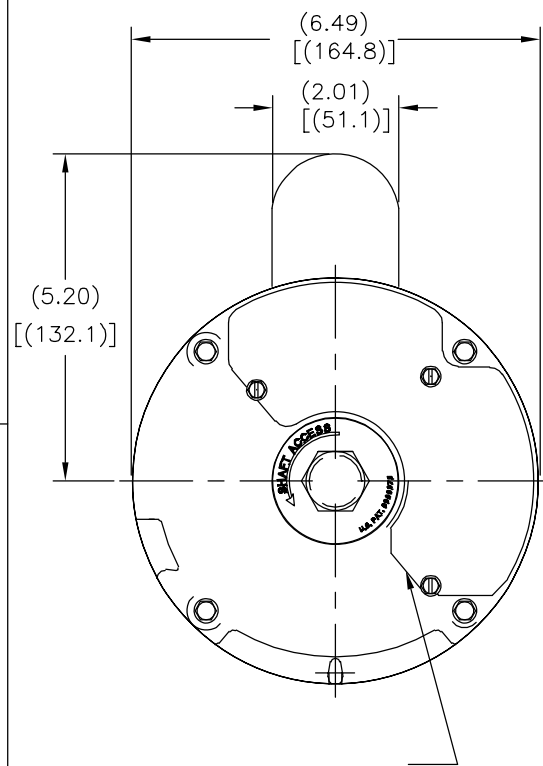
4

3

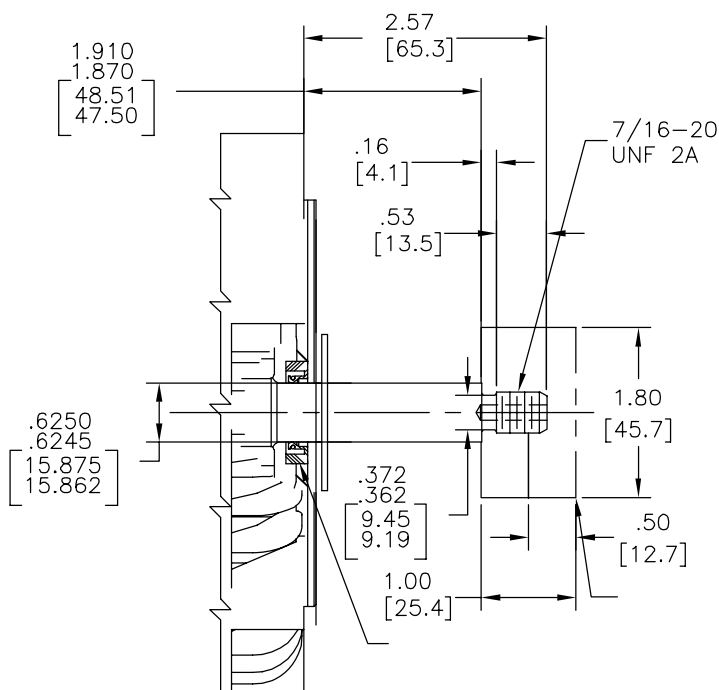
2

1

| | | | | | |
|-----------|---------|---------------|------------|---------------|------------|
| REVISION: | ECO | REVISADO POR: | FECHA: | APROBADO POR: | FECHA: |
| F | 0024732 | B.ZHAO | 03-07-2012 | B.SHEN | 03-07-2012 |



1/2-14 N.P.S.M.
W/CAP



| NAMEPLATE DATA | EXTERNAL CONNECTION DIAGRAM | NOTES |
|---|-----------------------------|---|
| MODEL: 177062 CUST PN: B977 HP: 1.5-2.0 SF: 1.30 ROT: CCWPE RPM: 3450/1725 TYPE: CXPM CODE: G FORM: KJM FRAME: X56J VOLTS: 230 AMPS: ---- MAX AMPS: SF 8.9/3.1 SF AMPS: -- PH: 1 HZ: 60 INS: B AMB: 40°C DUTY: CONT ENCLOSURE: ODP THERMALLY PROTECTED | | 1. DIA. PILOTO ES CONCENTRICO CON LINEA DE CTRO. DE FLECHA DENTRO DE .004[.10] L.T.I. 2. BORDE DE LA CARA DE MONTAJE ES PERPENDICULAR A LINEA DE CTRO. DE FLECHA POR .004[.10] L.T.I. 3. OSCILACION DE FLECHA NO DEBE EXCEDER .002[.05] T.I.R. 4. PARA EXTENSION ROSCADA DE FLECHA PARTES QUE SE ADIEREN DEBEN DEJAR LIBRE UNA ROSCA PARA ACLARAR CHAFLAN. 5. PARA EXT. ROSCADA DE FLECHA EXCENTRICIDAD DE PORCION DE ROSCA DE FLECHA ES SOSTENIDA DENTRO DE .004[.10] CALIB. TOTAL DEL LECTOR CON INDIC. EN DIA. EXT. DE TAPON DE ANILLO TIERRA COMO MUESTRA. EL CALIB. ESTACIONARIO CON RESPECTO AL ROTOR. 6. JUEGO AXIAL NO EXCEDER .010[.25] MEDIDO SIN EMP. |

| | | | | | |
|-------------------|-----------------|---|---|---|---------|
| PERFORMANCE CURVE | APPROVED SAMPLE | CARACTERISTICAS DE GEOMETRIA Y SIMBOLOS ▽ PLANICIDAD - RECTITUD < ANGULARIDAD ⊥ PERPENDICULARIDAD (A ESCUADRA) // PARALELISMO ○ REDONDEZ (CIRCULARIDAD) ∅ CILINDRICIDAD ∩ PERFIL DE CUALQUIER SUPERFICIE ∩ PERFIL DE CUALQUIER LINEA † VARIACION ⊕ POSICION REAL ⊙ CONCENTRICIDAD = SIMETRIA ASME Y14.5M 1994 | A MENOS QUE SE ESPECIFIQUE DE OTRA MANERA, LAS TOLERANCIAS DE LAS DIMS; SON LAS SIGUIENTES: PULG ±.1 ±.02 ±.005 ±.0005 mm ±0.5 ±0.13 ±0.013 ANG. ±50 GRADOS ELIMINAR REBABAS Y ORILLAS FILOSAS DEL BORDE. PULG .003-.015 mm 0.1-0.4 FILETEAR ESQUINA: PULG .020 mm 0.5 MAQUINAR SUPERFICIES PULG 125 mm 3.2 DIMS METRICAS MOSTRADAS [PARENTESIS] | DIBUJADO POR: TOM ZHAO 07-10-2006 APROBADO POR: TDT 01-11-2001 TERCER ANGULO DE PROYECCION FECHA EDS: 11-11-2011 REV. FORMATO: G CONFIDENCIAL: ESTE DIBUJO Y SU INFORMACION SON PROPIEDAD DE USO EXCLUSIVO Y CONFIDENCIAL DE REGAL-BELOIT CORPORATION. Y NO DEBERAN SER REVELADOS, DUPLICADOS, DISTRIBUIDOS O USARSE DE OTRA MANERA SIN EL CONSENTIMIENTO ESCRITO DE REGAL-BELOIT CORPORATION. -TODOS LOS DERECHOS RESERVADOS. | |
| 16331714 | --- | | | | |
| UL COMPONENT | CSA | | | | |
| FILE# | CCN# | | | FILE# | GUIDE# |
| PENDING | PENDING | | | LR4642 | 4211-01 |
| CUSTOMER | DISTRIBUTION | | | | |

| | |
|----------------------|------------------------|
| | |
| DESCRIPCION: OUTLINE | |
| TAMAÑO: C | NUMERO DE DIBUJO: B977 |
| ESCALA: NONE | HOJA: 1 |

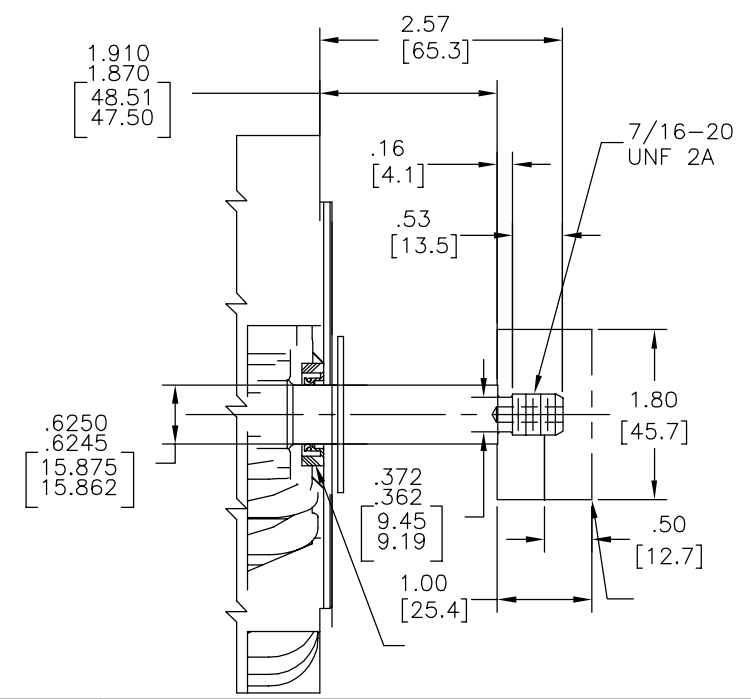
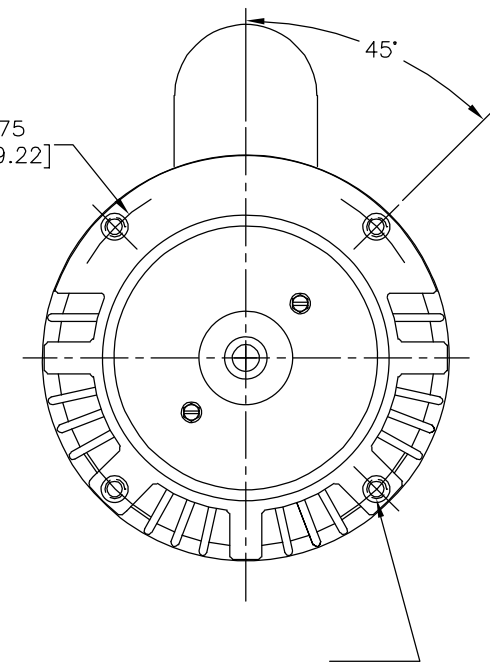
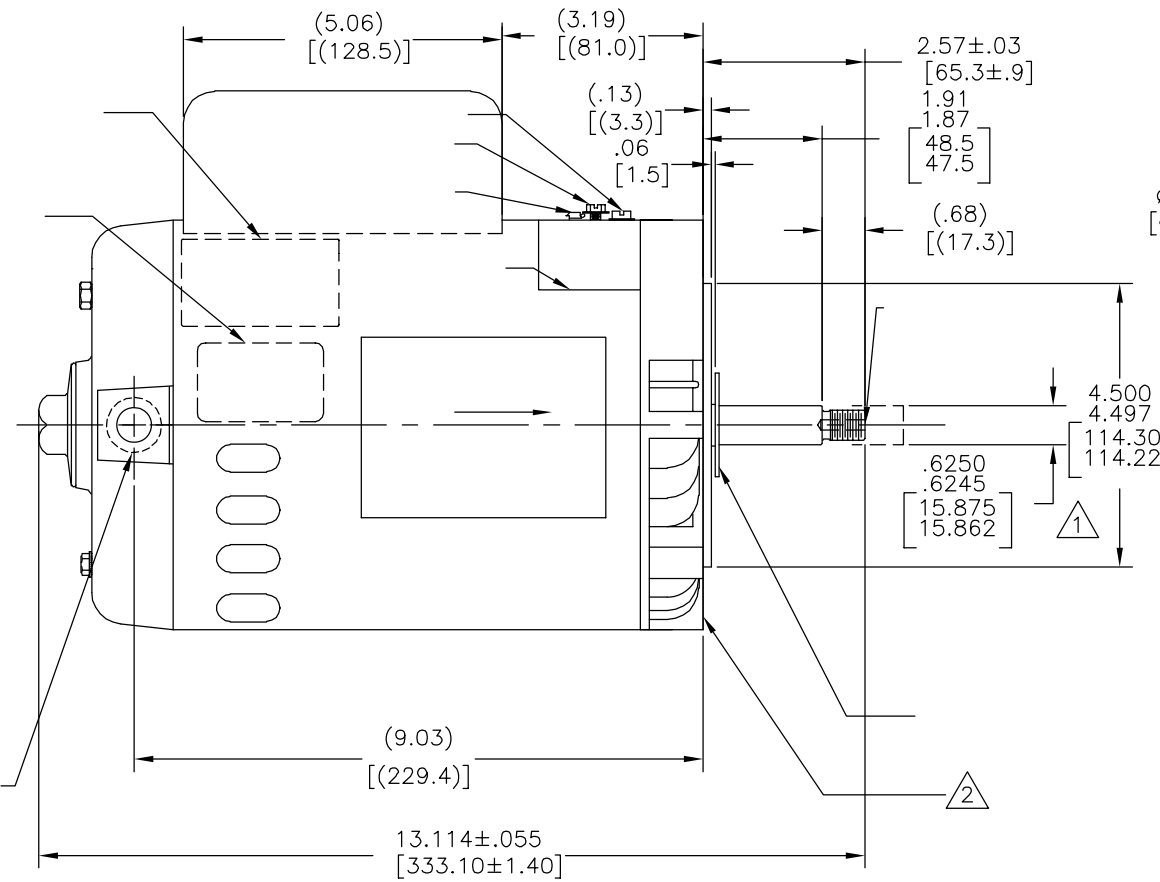
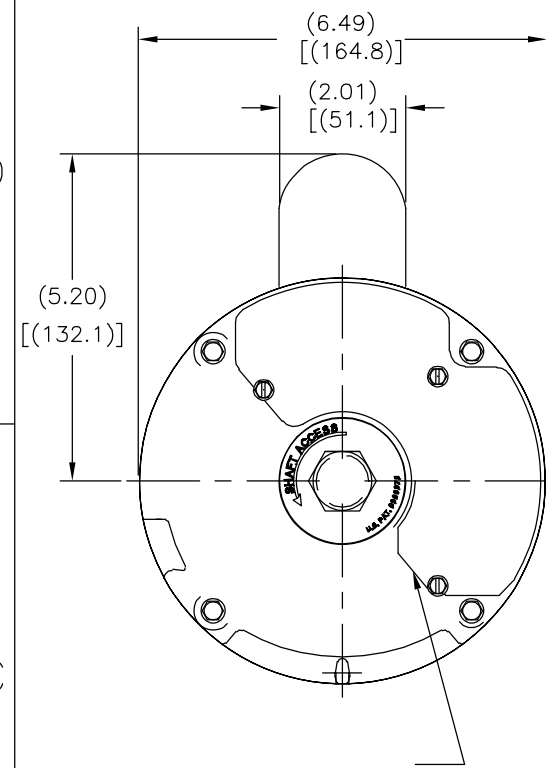
4

3

2

1

| | | | | | |
|----|---------|--------|------------|--------|------------|
| 版本 | ECO | 编制 | 日期 | 批准 | 日期 |
| F | 0024732 | B.ZHAO | 03-07-2012 | B.SHEN | 03-07-2012 |



| NAMEPLATE DATA | EXTERNAL CONNECTION DIAGRAM | NOTES |
|---|-----------------------------|-------|
| MODEL: 177062 CUST PN: B977 HP: 1.5-2.0 SF: 1.30 ROT: CCWPE RPM: 3450/1725 TYPE: CXPM CODE: G FORM: KJM FRAME: X56J VOLTS: 230 AMPS: ---- MAX AMPS: SF 8.9/3.1 SF AMPS: -- PH: 1 HZ: 60 INS: B AMB: 40°C DUTY: CONT ENCLOSURE: ODP THERMALLY PROTECTED | | |

| | | | |
|-------------------|-----------------|--------|---------|
| PERFORMANCE CURVE | APPROVED SAMPLE | | |
| 16331714 | --- | | |
| UL COMPONENT | CSA | | |
| FILE# | CCN# | FILE# | GUIDE# |
| PENDING | PENDING | LR4642 | 4211-01 |
| CUSTOMER | DISTRIBUTION | | |

| | |
|--------|--------------------------------------|
| 形位公差 | 除另有注明 |
| □ 平面度 | 尺寸公差如下: |
| — 直线度 | 英寸 ±.1 XX ±.02 XXX ±.005 XXXX ±.0005 |
| ∠ 倾斜度 | 毫米 ±0.5 ±0.13 ±0.013 |
| ⊥ 垂直度 | 角度 ±.50度 |
| // 平行度 | 清理毛刺和尖棱 |
| ○ 圆度 | 英寸 .003-.015 毫米 0.1-0.4 |
| ⊙ 圆柱度 | 内圆角 |
| ⊖ 面轮廓度 | 英寸 .020 毫米 0.5 |
| ⌒ 线轮廓度 | 表面粗糙度 |
| ⤴ 圆跳动 | 英制 125 米制 3.2 |
| ⊕ 位置度 | 米制尺寸显示在 [] |
| ⊗ 同轴度 | |
| ≡ 对称度 | |

| |
|------------------|
| ASME Y14.5M 1994 |
|------------------|

| | |
|--|---------------------|
| 绘图: TOM ZHAO | 07-10-2006 |
| 批准: TDT | 01-11-2001 |
| 第三角投影 | 图纸格式发布日期 11-11-2011 |
| | 图纸格式版本 G |
| 机密: 本图纸及相关信息所有权归REGAL-BELOIT CORPORATION. 未经REGAL-BELOIT CORPORATION书面授权, 不得泄露、复制、传播或作其他用途。—版权所有 | |

| | |
|-----------------|----------|
| | |
| 名称: OUTLINE 外形图 | |
| 图幅: C | 图号: B977 |
| 比例: NONE | 页号: 1 |