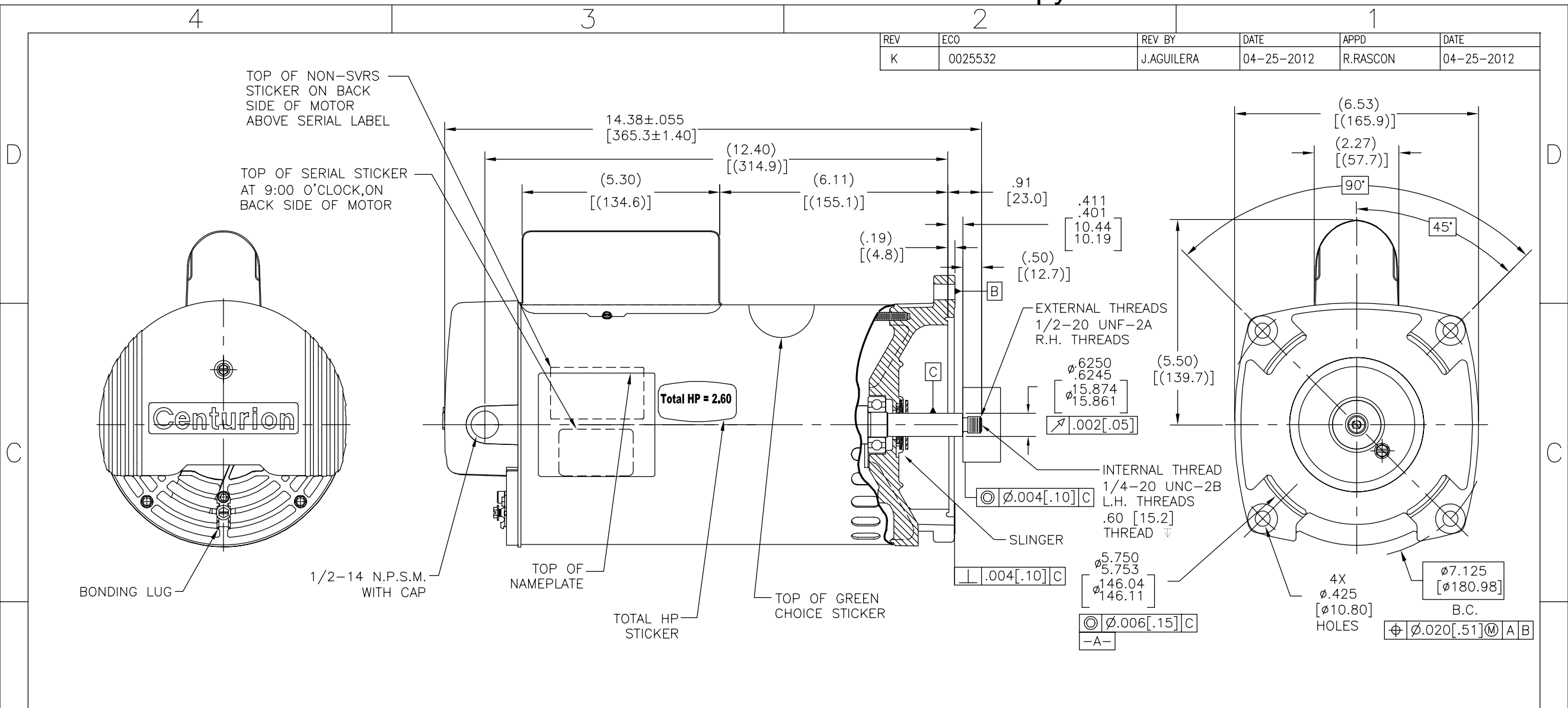


REV	ECO	REV BY	DATE	APPD	DATE
K	0025532	J.AGUILERA	04-25-2012	R.RASCON	04-25-2012



NAMEPLATE DATA	EXTERNAL CONNECTION DIAGRAM	NOTES
MODEL: 196445 CUST PN: B2984 HP: 2.0/.25 SF: 1.30 ROT: CCWPE RPM: 3450/1725 TYPE: CXCP CODE: G FORM: FRAME: Y56Y VOLTS: 230 AMPS: MAX AMPS: SF AMPS: 11.0/1.8 PH: 1 HZ: 60 INS: F AMB: 50°C DUTY: CONT ENCLOSURE: ODP THERMALLY PROTECTED		<ol style="list-style-type: none"> <li>FOR THREADED SHAFT EXT. ECCENTRICITY OF THREADED PORTION OF SHAFT IS HELD WITHIN .004[.10] TOTAL GAGE READING WITH THE INDICATOR ON O.D. OF GROUND RING GAGE AS SHOWN. THE GAGE BEING STATIONARY WITH RESPECT TO THE ROTOR.</li> <li>END PLAY NOT TO EXCEED .010[.25] MEASURED WITH NO THRUST.</li> <li>ALL DIMENSIONS SHOWN IN PARENTHESIS ARE REFERENCE DIMENSIONS.</li> <li>FINISH PAINT TO BE BLACK.</li> <li>2.60 SF HP</li> </ol>

PERFORMANCE CURVE	APPROVED SAMPLE		
0116755	0701617		
UL COMPONENT	CSA		
FILE#	CCN#	FILE#	GUIDE#
E44549	PRGY2	LR4642	4211-01
CUSTOMER	DISTRIBUTION		

GEOMETRIC CHARACTERISTICS & SYMBOLS

- FLATNESS
- STRAIGHTNESS
- ∠ ANGULARITY
- ⊥ PERPENDICULARITY (SQUARENESS)
- // PARALLELISM
- ROUNDNESS (CIRCULARITY)
- ∅ CYLINDRICITY
- △ PROFILE OF ANY SURFACE
- ∩ PROFILE OF ANY LINE
- ↑ RUNOUT
- ⊕ TRUE POSITION
- ◎ CONCENTRICITY
- ≡ SYMMETRY

ASME Y14.5M 1994

UNLESS OTHERWISE SPECIFIED DIM. TOLERANCES ARE AS FOLLOWS:

INCH X XX XXX XXXX  
 ±.1 ±.02 ±.005 ±.0005  
 mm ±0.5 ±0.13 ±0.013

ANG. ±50 DEG

REMOVE BURRS & BREAK SHARP EDGES:  
 INCH .003-.015 mm 0.1-0.4

CORNER FILLETS TO:  
 INCH .020 mm 0.5

MACHINE SURFACES:  
 INCH 125 mm 3.2

METRIC DIMS. SHOWN IN [BRACKETS]

DR BY: Daniel Muñoz 08-22-2008

APPD: M. Overholser 08-22-2008

THIRD ANGLE PROJECTION

EDS DATE 11-11-2011  
 FORMAT REV G

CONFIDENTIAL: THIS DRAWING AND ITS INFORMATION ARE THE EXCLUSIVE AND CONFIDENTIAL PROPERTY OF REGAL-BELOIT CORPORATION AND ARE NOT TO BE DISCLOSED, DUPLICATED, DISTRIBUTED OR OTHERWISE USED WITHOUT THE WRITTEN CONSENT OF REGAL-BELOIT CORPORATION. -ALL RIGHTS RESERVED.

REGAL-BELOIT CORPORATION

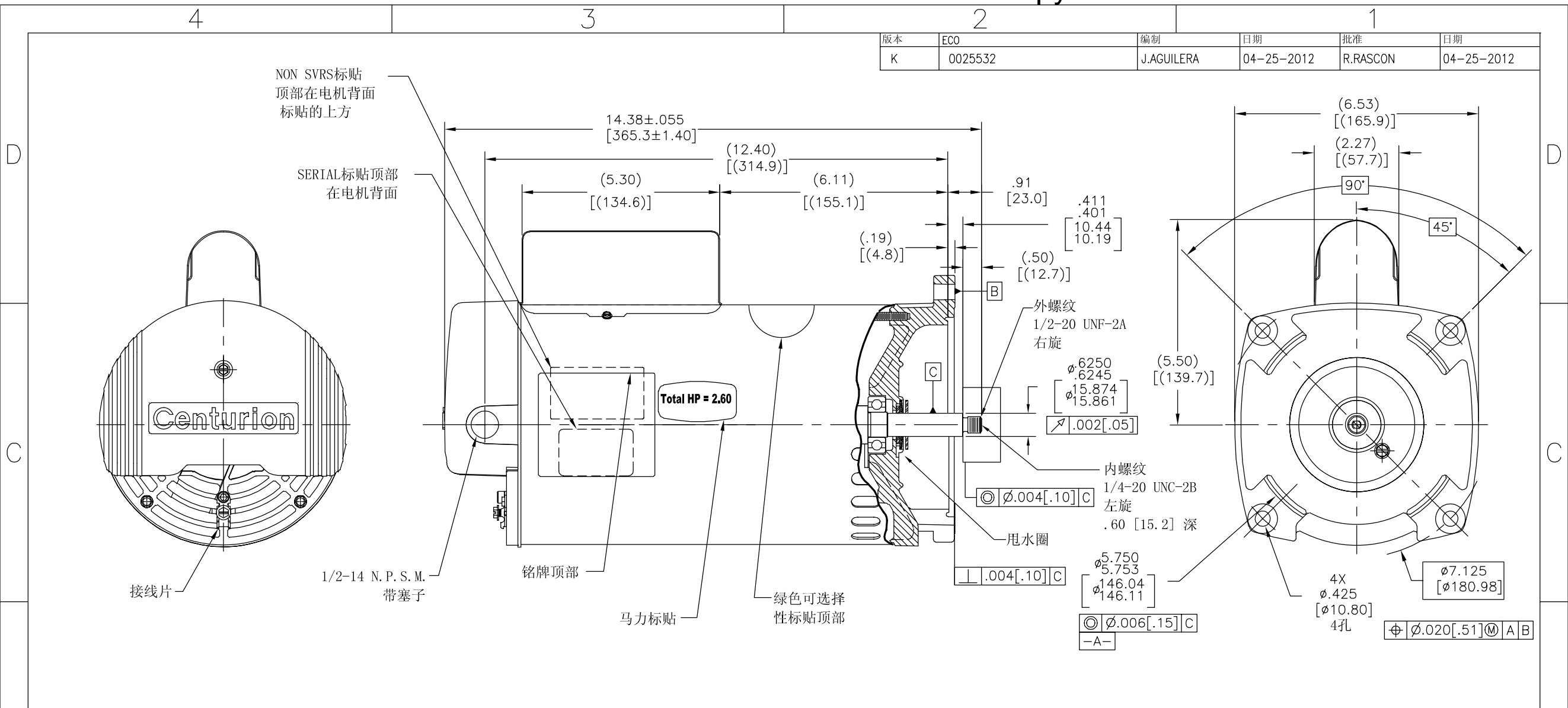
DESCRIPTION: MODEL-PFHP-56FR OUTLINE

SIZE: C DWG NO: B2984

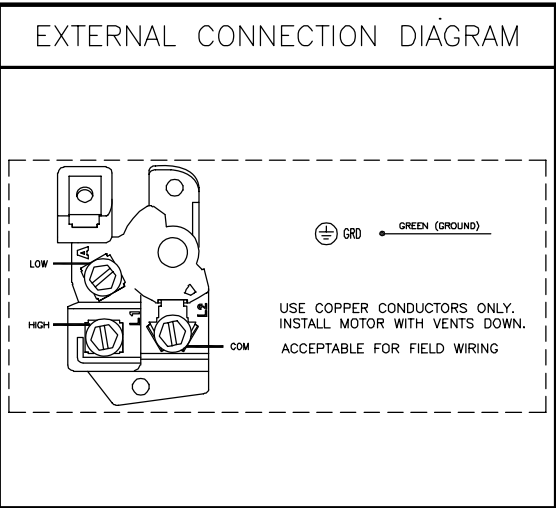
SCALE: NONE SHEET: 1



版本	ECO	编制	日期	批准	日期
K	0025532	J.AGUILERA	04-25-2012	R.RASCON	04-25-2012



NAMEPLATE DATA	
MODEL: 196445	
CUST PN: B2984	
HP: 2.0/.25	SF: 1.30
ROT: CCWPE	
RPM: 3450/1725	
TYPE: CXCP	CODE: G
FORM:	FRAME: Y56Y
VOLTS: 230	
AMPS:	
MAX AMPS:	
SF AMPS: 11.0/1.8	
PH: 1	HZ: 60
INS: F	AMB: 50°C
DUTY: CONT	
ENCLOSURE: ODP	
THERMALLY PROTECTED	



- NOTES
- 量规测量方法如图所示，螺纹外径与中心的同心度为.004[.10]
  - 轴向窜动不超过.010[.25]
  - 括号内尺寸为参考尺寸。
  - 表面为黑色喷漆。
  - 2.60 SF HP

PERFORMANCE CURVE	APPROVED SAMPLE		
0116755	0701617		
UL COMPONENT	CSA		
FILE#	CCN#	FILE#	GUIDE#
E44549	PRGY2	LR4642	4211-01
CUSTOMER	DISTRIBUTION		

形位公差	除另有注明
□ 平面度	尺寸公差如下:
— 直线度	英寸 X XX XXX XXXX
∠ 倾斜度	英寸 ±.1 ±.02 ±.005 ±.0005
⊥ 垂直度	毫米 ±0.5 ±0.13 ±0.013
∥ 平行度	角度 ±.50 度
○ 圆度	清理毛刺和尖棱
⊘ 圆柱度	英寸 .003-.015 毫米 0.1-0.4
△ 面轮廓度	内圆角
∇ 线轮廓度	英寸 .020 毫米 0.5
↗ 圆跳动	表面粗糙度
⊕ 位置度	英制 125 米制 3.2
⊙ 同轴度	米制尺寸显示在[ ]
≡ 对称度	

ASME Y14.5M 1994
------------------

绘图:	Daniel Muñoz	08-22-2008
批准:	M. Overholser	08-22-2008
第三角投影	⊕	图纸格式发布日期 11-11-2011 图纸格式版本 G
机密: 本图纸及相关信息所有权归REGAL-BELOIT CORPORATION. 未经REGAL-BELOIT CORPORATION书面授权, 不得泄露、复制、传播或作其他用途。一版权所有		

名称	MODEL-PFHP-56FR OUTLINE
图幅	C
图号	B2984
比例	NONE
页号	1