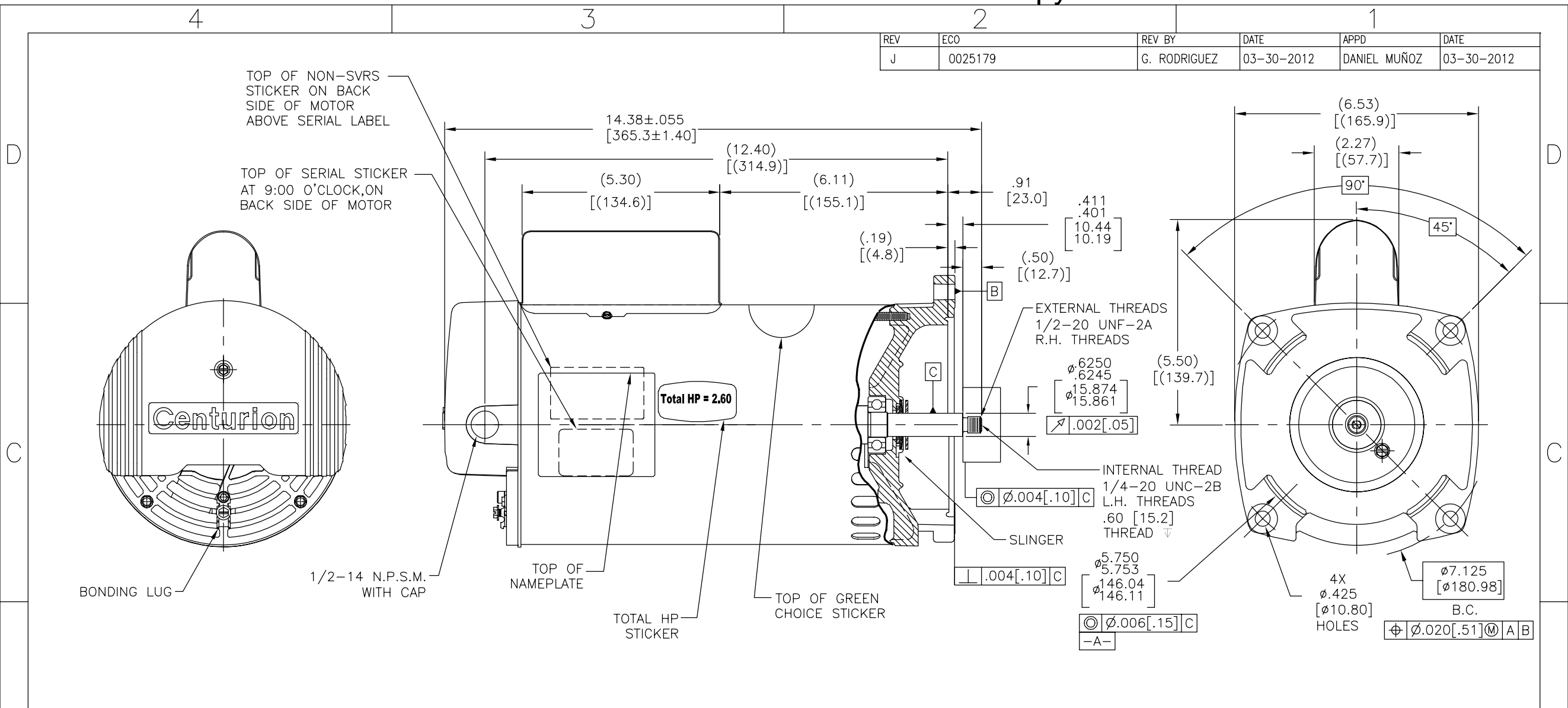


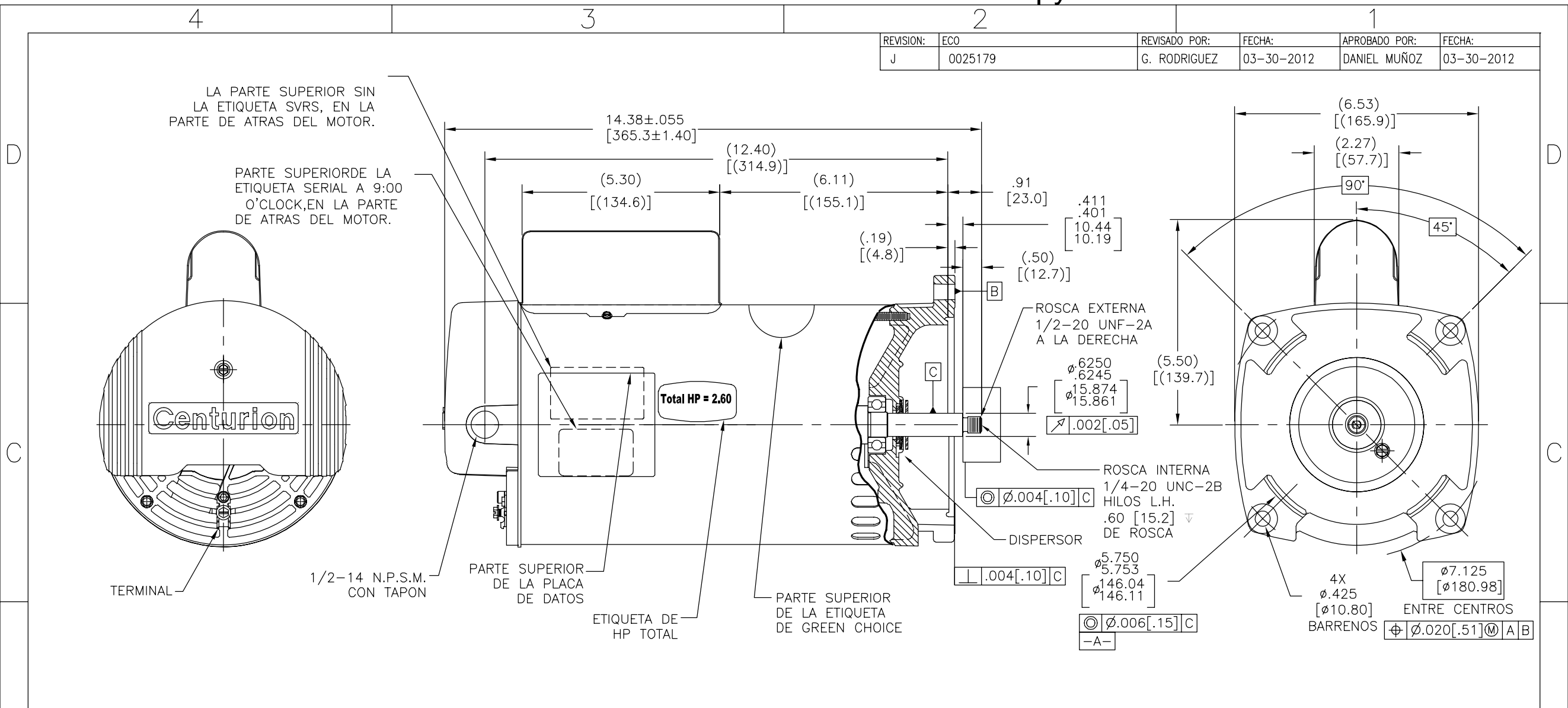
REV	ECO	REV BY	DATE	APPD	DATE
J	0025179	G. RODRIGUEZ	03-30-2012	DANIEL MUÑOZ	03-30-2012



NAMEPLATE DATA	EXTERNAL CONNECTION DIAGRAM	NOTES
MODEL: 196445 CUST PN: B2984 HP: 2.0/.25 SF: 1.30 ROT: CCWPE RPM: 3450/1725 TYPE: CXCP CODE: G FORM: FRAME: Y56Y VOLTS: 230 AMPS: MAX AMPS: SF AMPS: 11.0/1.8 PH: 1 HZ: 60 INS: F AMB: 50°C DUTY: CONT ENCLOSURE: ODP THERMALLY PROTECTED		<ol style="list-style-type: none"> FOR THREADED SHAFT EXT. ECCENTRICITY OF THREADED PORTION OF SHAFT IS HELD WITHIN .004[.10] TOTAL GAGE READING WITH THE INDICATOR ON O.D. OF GROUND RING GAGE AS SHOWN. THE GAGE BEING STATIONARY WITH RESPECT TO THE ROTOR. END PLAY NOT TO EXCEED .010[.25] MEASURED WITH NO THRUST. ALL DIMENSIONS SHOWN IN PARENTHESIS ARE REFERENCE DIMENSIONS. FINISH PAINT TO BE BLACK. 2.60 SF HP

PERFORMANCE CURVE	APPROVED SAMPLE	GEOMETRIC CHARACTERISTICS & SYMBOLS ▽ FLATNESS — STRAIGHTNESS ∠ ANGULARITY ⊥ PERPENDICULARITY (SQUARENESS) // PARALLELISM ○ ROUNDNESS (CIRCULARITY) ∅ CYLINDRICITY △ PROFILE OF ANY SURFACE ∩ PROFILE OF ANY LINE ↑ RUNOUT ⊕ TRUE POSITION ⊙ CONCENTRICITY = SYMMETRY	UNLESS OTHERWISE SPECIFIED DIM. TOLERANCES ARE AS FOLLOWS: INCH X XX XXX XXXX mm ±0.5 ±0.13 ±0.013 ANG. ±.50 DEG REMOVE BURRS & BREAK SHARP EDGES: INCH .003-.015 mm 0.1-0.4 CORNER FILLETS TO: INCH .020 mm 0.5 MACHINE SURFACES: INCH 125 mm 3.2	DR BY: Daniel Muñoz	08-22-2008	
0116755	0701617			APPD: M. Overholser	08-22-2008	
UL COMPONENT	CSA	ASME Y14.5M 1994 METRIC DIMS. SHOWN IN [BRACKETS]	THIRD ANGLE PROJECTION	EDS DATE	11-11-2011	SIZE: C DWG NO: B2984
FILE#	CCN#			FILE#	GUIDE#	
E44549	PRGY2	LR4642	4211-01	CONFIDENTIAL: THIS DRAWING AND ITS INFORMATION ARE THE EXCLUSIVE AND CONFIDENTIAL PROPERTY OF REGAL-BELOIT CORPORATION AND ARE NOT TO BE DISCLOSED, DUPLICATED, DISTRIBUTED OR OTHERWISE USED WITHOUT THE WRITTEN CONSENT OF REGAL-BELOIT CORPORATION. -ALL RIGHTS RESERVED.		

REVISION:	ECO	REVISADO POR:	FECHA:	APROBADO POR:	FECHA:
J	0025179	G. RODRIGUEZ	03-30-2012	DANIEL MUÑOZ	03-30-2012



NAMEPLATE DATA	EXTERNAL CONNECTION DIAGRAM	NOTES
MODEL: 196445 CUST PN: B2984 HP: 2.0/.25 SF: 1.30 ROT: CCWPE RPM: 3450/1725 TYPE: CXCP CODE: G FORM: FRAME: Y56Y VOLTS: 230 AMPS: MAX AMPS: SF AMPS: 11.0/1.8 PH: 1 HZ: 60 INS: F AMB: 50°C DUTY: CONT ENCLOSURE: ODP THERMALLY PROTECTED		<ol style="list-style-type: none"> 1. PARA EXT. DE FLECHA ROSCADA LA EXCENTRICIDAD DE LA ROSCA DE LA FLECHA ES SOSTENIDA DENTRO .004[.10] LECTURA TOTAL DEL ESCANTILLON CON EL INDICADOR SOBRE EL DIAM. EXTERNO DEL ANILLO A TIERRA COMO SE MUESTRA. EL ESCANTILLON SERA ESTACIONARIO CON RESPECTO AL ROTOR. 2. JUEGO AXIAL NO EXCEDERA .010[.25] MEDIDA SIN EMPUJE. 3. TODAS LAS DIMENSIONES MOSTRADAS EN PARENTESIS SON DIMENSIONES DE REFERENCIA 4. EL ACABADO DE LA PINTURA SERA NEGRO. 5. 2.60 SF HP

PERFORMANCE CURVE	APPROVED SAMPLE	CARACTERISTICAS DE GEOMETRIA Y SIMBOLOS □ PLANICIDAD - RECTITUD < ANGULARIDAD ⊥ PERPENDICULARIDAD (A ESCUADRA) // PARALELISMO ○ REDONDEZ (CIRCULARIDAD) ∅ CILINDRICIDAD △ PERFIL DE CUALQUIER SUPERFICIE ∩ PERFIL DE CUALQUIER LINEA ↑ VARIACION ⊕ POSICION REAL ⊙ CONCENTRICIDAD = SIMETRIA	A MENOS QUE SE ESPECIFIQUE DE OTRA MANERA, LAS TOLERANCIAS DE LAS DIMS; SON LAS SIGUIENTES: PULG ±.1 ±.02 ±.005 ±.0005 mm ±0.5 ±0.13 ±0.013 ANG. ±.50 GRADOS ELIMINAR REBABAS Y ORILLAS FILOSAS DEL BORDE. PULG .003-.015 mm 0.1-0.4 FILETEAR ESQUINA: PULG .020 mm 0.5 MAQUINAR SUPERFICIES PULG 125 mm .32	DIBUJADO POR: Daniel Muñoz	08-22-2008		DESCRIPCION: OUTLINE
0116755	0701617			APROBADO POR: M. Overholser	08-22-2008		
UL COMPONENT	CSA	DIMS METRICAS MOSTRADAS [PARENTESIS]	TERCER ANGULO DE PROYECCION	FECHA EDS: 11-11-2011	REV. FORMATO: G	ESCALA: NONE	HOJA: 1
FILE#	CCN#			FILE#	GUIDE#		
E44549	PRGY2	LR4642	4211-01				
CUSTOMER	DISTRIBUTION						

4

3

2

1

D

D

C

C

B

B

A

A

4

3

2

1

