

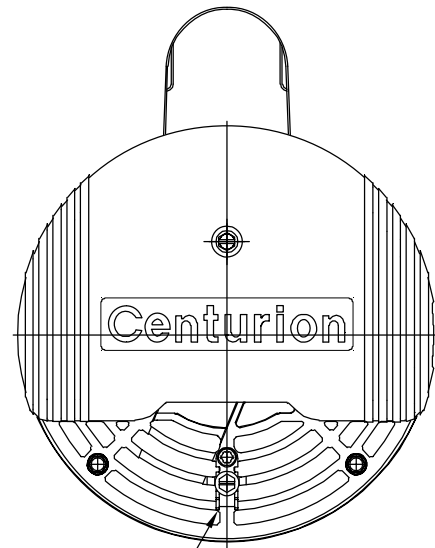
4

3

2

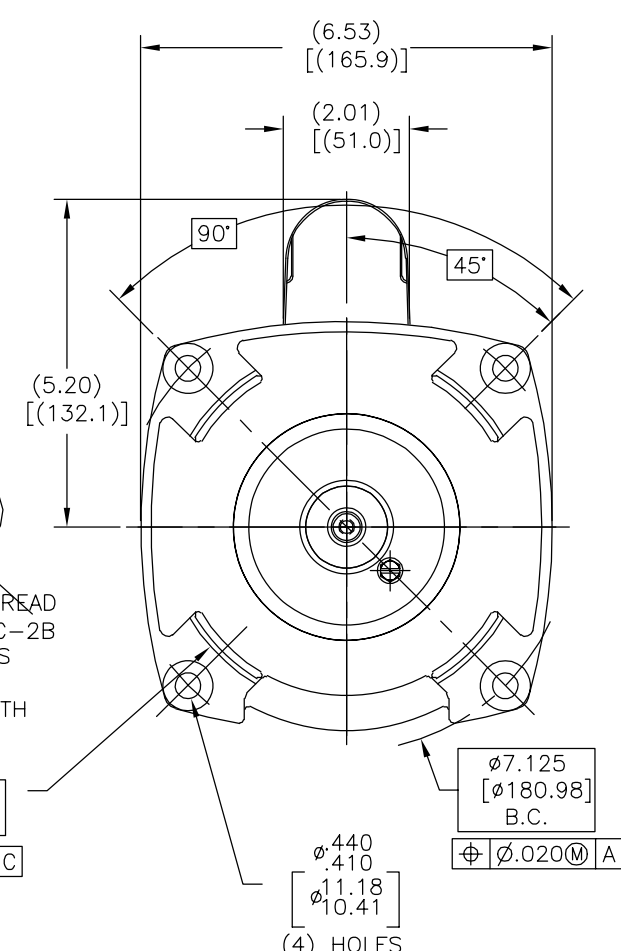
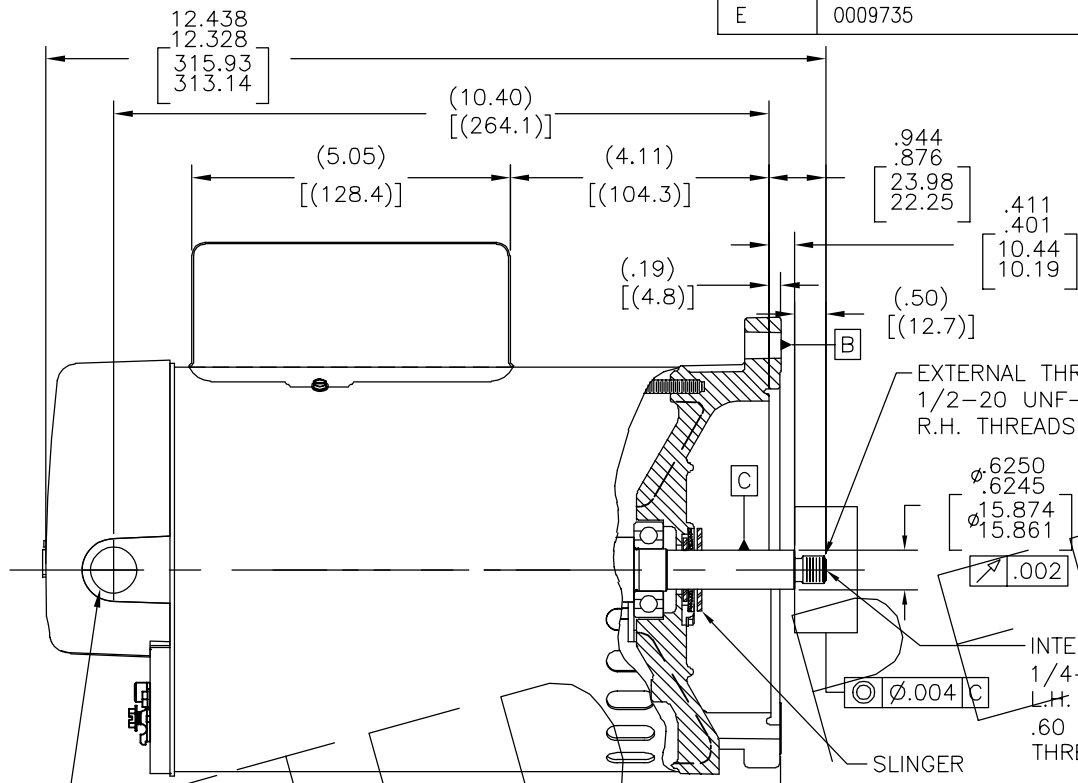
1

REV	ECO	REV BY	DATE	APPD	DATE
E	0009735	QH	10-21-2009	KG	10-21-2009



BONDING LUG

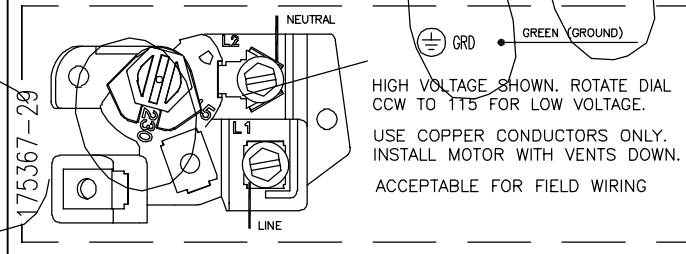
1/2-14 N.P.S.M. WITH CAP



NAMEPLATE DATA

MODEL: 196238  
 CUST. P/N:  
 HP: ---  
 SF: ---  
 ROT: CW  
 RPM: 3450  
 TYPE: CX  
 CODE: J  
 FRAME: P 56 Y  
 VOLTS: 230/115  
 AMPS: 6.6/13.2  
 MAX AMPS:  
 PH: 1  
 HZ: 60  
 INS: F  
 AMB: 50°C  
 DUTY: CONT  
 THERMALLY PROTECTED

EXTERNAL CONNECTION DIAGRAM



HIGH VOLTAGE SHOWN. ROTATE DIAL CCW TO 115 FOR LOW VOLTAGE.  
 USE COPPER CONDUCTORS ONLY. INSTALL MOTOR WITH VENTS DOWN. ACCEPTABLE FOR FIELD WIRING

PERFORMANCE CURVE NO.

16381911

APPROVED SAMPLE OR REF. MODEL

0601046

UL COMPONENT		CSA	
FILE#	CCN#	FILE#	CLASS#
PENDING	PENDING	PENDING	PENDING
ENCLOSURE: ODP		CUSTOMER: PENTAIR	

NOTES:

- FOR THREADED SHAFT EXT. ECCENTRICITY OF THREADED PORTION OF SHAFT IS HELD WITHIN .004 TOTAL GAGE READING WITH THE INDICATOR ON O.D. OF GROUND RING GAGE AS SHOWN. THE GAGE BEING STATIONARY WITH RESPECT TO THE ROTOR.
- END PLAY NOT TO EXCEED .010 MEASURED WITH NO THRUST
- ALL DIMENSIONS SHOWN IN PARENTHESIS ARE REFERENCE DIMENSIONS.
- FINISH PAINT TO BE BEIGE.
- 1.24 SF HP
- REFERENCE MODEL: 177474

GEOMETRIC CHARACTERISTICS & SYMBOLS  
 ▽ FLATNESS  
 — STRAIGHTNESS  
 ∠ ANGULARITY  
 ⊥ PERPENDICULARITY (SQUARENESS)  
 ∥ PARALLELISM  
 ○ ROUNDNESS (CIRCULARITY)  
 ⌀ CYLINDRICITY  
 △ PROFILE OF ANY SURFACE  
 ∩ PROFILE OF ANY LINE  
 ↗ RUNOUT  
 ⊕ TRUE POSITION  
 ⊙ CONCENTRICITY  
 ≡ SYMMETRY

UNLESS OTHERWISE SPECIFIED DIM. TOLERANCES ARE AS FOLLOWS:  
 INCH X XX XXX XXXX  
 ±.1 ±.02 ±.005 ±.0005  
 mm ±0.5 ±0.13 ±0.013  
 ANG. ±.50 DEG  
 REMOVE BURRS & BREAK SHARP EDGES:  
 INCH .003-.015 mm 0.1-0.4  
 CORNER FILLETS TO:  
 INCH .020 mm 0.5  
 MACHINE SURFACES:  
 INCH 125 mm 3.2  
 METRIC DIMS. SHOWN IN [BRACKETS]

DR BY: JAH  
 APPD: 03-21-2006  
 THIRD ANGLE PROJECTION  
 EDS DATE 02-22-2008  
 FORMAT REV F  
 CONFIDENTIAL: THIS DRAWING AND ITS INFORMATION ARE THE EXCLUSIVE AND CONFIDENTIAL PROPERTY OF A.O. SMITH CORP. AND ARE NOT TO BE DISCLOSED, DUPLICATED, DISTRIBUTED OR OTHERWISE USED WITHOUT THE WRITTEN CONSENT OF A.O. SMITH CORP.  
 -ALL RIGHTS RESERVED. ASME Y14.5M 1994

**ACSmith** **ELECTRICAL PRODUCTS COMPANY**  
 Innovation has a name. A DIVISION OF A. O. SMITH CORPORATION

DESCRIPTION: **OUTLINE**

SIZE: C DWG NO: 12744-013

SCALE: NONE SHEET: 1

4

3

2

1

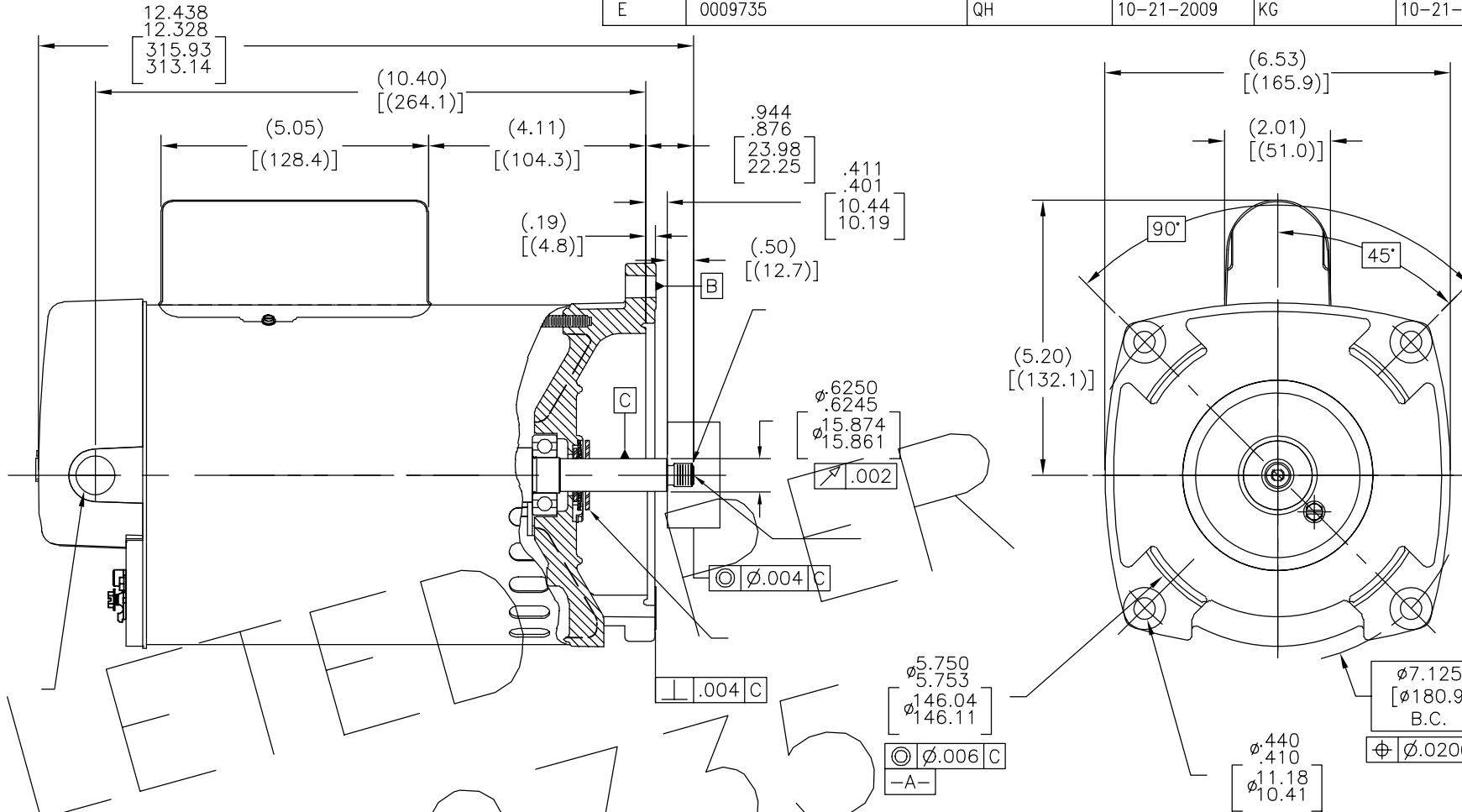
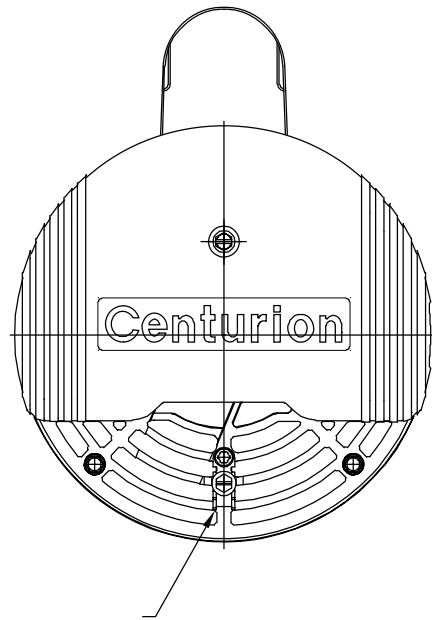
4

3

2

1

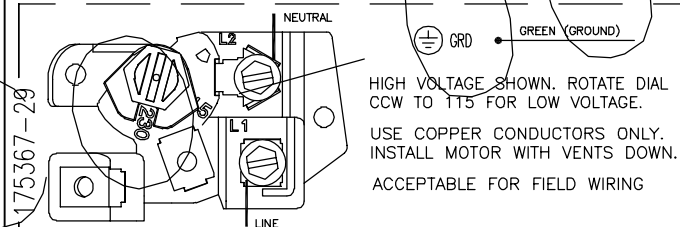
REVISION:	ECO	REVISADO POR:	FECHA:	APROBADO POR:	FECHA:
E	0009735	QH	10-21-2009	KG	10-21-2009



NAMEPLATE DATA

MODEL: 196238  
 CUST. P/N:  
 HP: ---  
 SF: ---  
 ROT: CW  
 RPM: 3450  
 TYPE: CX  
 CODE: J  
 FRAME: P 56 Y  
 VOLTS: 230/115  
 AMPS: 6.6/13.2  
 MAX AMPS:  
 PH: 1  
 HZ: 60  
 INS: F  
 AMB: 50°C  
 DUTY: CONT  
 THERMALLY PROTECTED

EXTERNAL CONNECTION DIAGRAM



PERFORMANCE CURVE NO.

16381911

APPROVED SAMPLE OR REF. MODEL

0601046

UL COMPONENT		CSA	
FILE#	CCN#	FILE#	CLASS#
PENDING	PENDING	PENDING	PENDING
ENCLOSURE: ODP		CUSTOMER: PENTAIR	

NOTES:

CARACTERISTICAS DE GEOMETRIA Y SIMBOLOS

- ∠ PLANICIDAD
- RECTITUD
- ∠ ANGULARIDAD
- ⊥ PERPENDICULARIDAD (A ESCUADRA)
- // PARALELISMO
- REDONDEZ (CIRCULARIDAD)
- ⊘ CILINDRICIDAD
- △ PERFIL DE CUALQUIER SUPERFICIE
- ∧ PERFIL DE CUALQUIER LINEA
- ∧ VARIACION
- ⊕ POSICION REAL
- ◎ CONCENTRICIDAD
- = SIMETRIA

A MENOS QUE SE ESPECIFIQUE DE OTRA MANERA, LAS TOLERANCIAS DE LAS DIMS; SON LAS SIGUIENTES:

mm ±0.5 ±0.13 ±0.013  
 PULG ±.1 ±.02 ±.005 ±.0005  
 ANG. ± 50 GRADOS  
 ELIMINAR REBABAS Y ORILLAS FILOSAS DEL BORDE.  
 PULG .003-.015 mm 0.1-0.4  
 FILETEAR ESQUINA: PULG .020 mm 0.5  
 MAQUINAR SUPERFICIES  
 PULG 125 mm .32  
 DIMS METRICAS MOSTRADAS [PARENTESIS]

DIBUJADO POR: JAH

03-21-2006

APROBADO POR:

TERCER ANGULO DE PROYECCION

FECHA EDS: 02-22-2008  
 REV. FORMATO: F

CONFIDENCIAL: ESTE DIBUJO Y SU INFORMACION SON PROPIEDAD DE USO EXCLUSIVO Y CONFIDENCIAL DE A.O.SMITH CORP. Y NO DEBERAN SER REVELADOS, DUPLICADOS, DISTRIBUIDOS O USARSE DE OTRA MANERA SIN EL CONSENTIMIENTO ESCRITO DE A.O. SMITH CORP. -TODOS LOS DERECHOS RESERVADOS. ASME Y14.5M 1994



ELECTRICAL PRODUCTS COMPANY  
 A DIVISION OF A. O. SMITH CORPORATION

DESCRIPCION:

OUTLINE

TAMAÑO: C NUMERO DE DIBUJO: 12744-013

ESCALA: NONE HOJA: 1

4

3

2

1

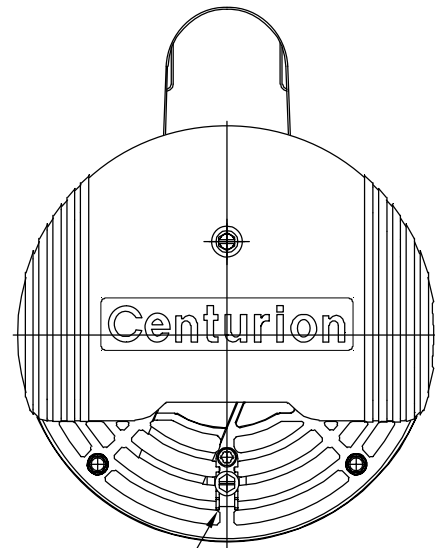
4

3

2

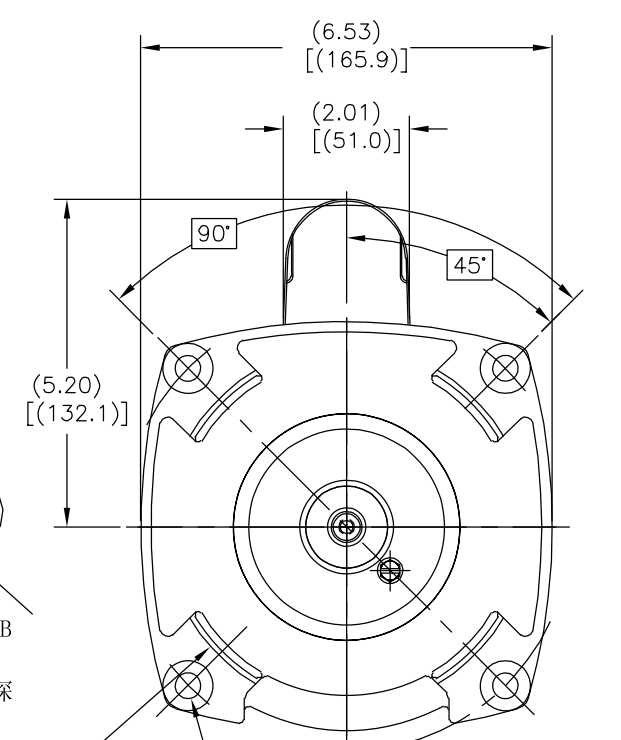
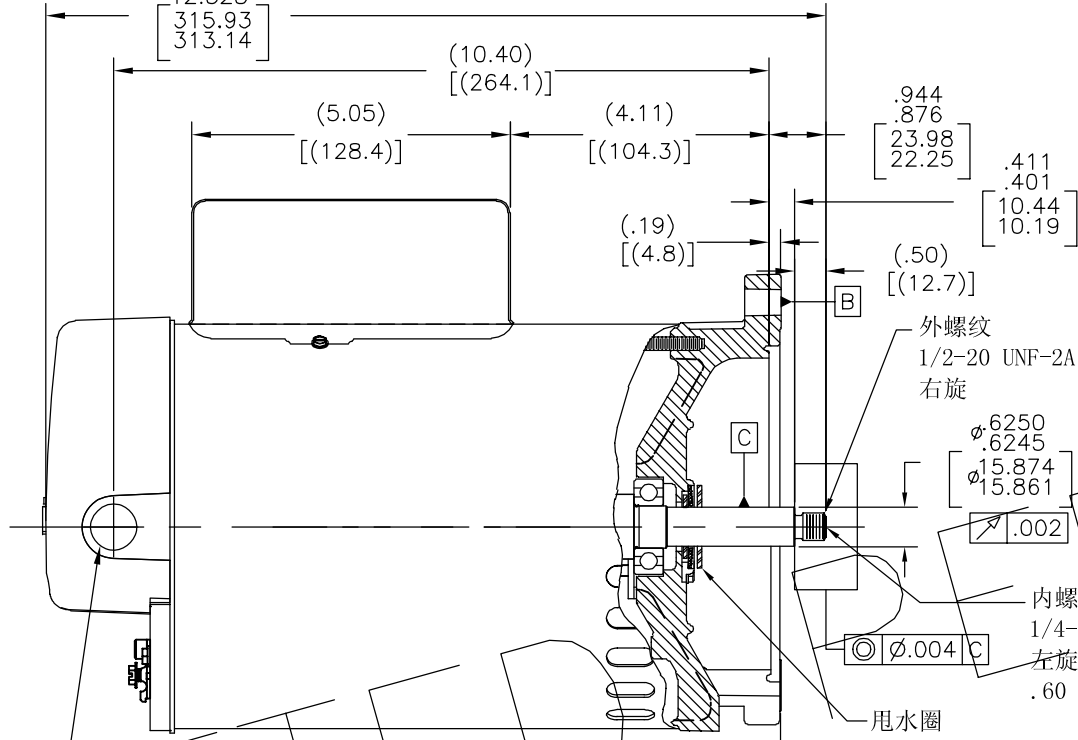
1

版本	ECO	编制	日期	批准	日期
E	0009735	QH	10-21-2009	KG	10-21-2009



接线片

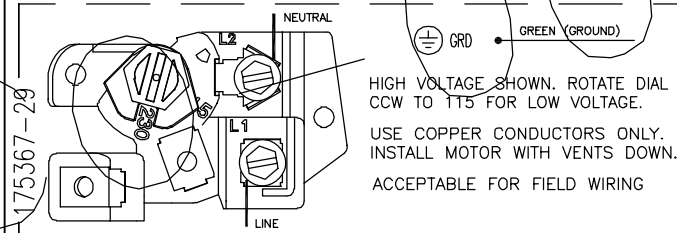
1/2-14 N. P. S. M.  
带塞子



NAMEPLATE DATA

MODEL: 196238  
 CUST. P/N:  
 HP: ---  
 SF: ---  
 ROT: CW  
 RPM: 3450  
 TYPE: CX  
 CODE: J  
 FRAME: P 56 Y  
 VOLTS: 230/115  
 AMPS: 6.6/13.2  
 MAX AMPS:  
 PH: 1  
 HZ: 60  
 INS: F  
 AMB: 50°C  
 DUTY: CONT  
 THERMALLY PROTECTED

EXTERNAL CONNECTION DIAGRAM



HIGH VOLTAGE SHOWN. ROTATE DIAL  
 CCW TO 115 FOR LOW VOLTAGE.  
 USE COPPER CONDUCTORS ONLY.  
 INSTALL MOTOR WITH VENTS DOWN.  
 ACCEPTABLE FOR FIELD WIRING

NOTES:

- 量规测量方法如图所示，螺纹外径与中心的同心度为.004[.10]
- 轴向窜动不超过.010[.25]
- 括号内尺寸为参考尺寸。

PERFORMANCE CURVE NO.

16381911

APPROVED SAMPLE OR REF. MODEL

0601046

UL COMPONENT

FILE#

CCN#

CSA

FILE#

CLASS#

PENDING

PENDING

PENDING

PENDING

ENCLOSURE: ODP

CUSTOMER: PENTAIR

4. 表面为浅褐色喷漆。

5. 1.24 SF HP

6. 参考型号: 177474

- 形位公差
- 平面度
- 直线度
- ∠ 倾斜度
- ⊥ 垂直度
- // 平行度
- 圆度
- ∅ 圆柱度
- △ 面轮廓度
- ∩ 线轮廓度
- ∧ 圆跳动
- ⊕ 位置度
- ◎ 同轴度
- ≡ 对称度

除另有注明  
 尺寸公差如下:  
 英寸 X XX XXX XXXX  
 毫米 ±.1 ±.02 ±.005 ±.0005  
 毫米 ±0.5 ±0.13 ±0.013  
 角度 ±.50 度  
 清理毛刺和尖棱  
 英寸 .003-.015 毫米 0.1-0.4  
 内圆角  
 英寸 .020 毫米 0.5  
 表面粗糙度  
 英制 125 米制 3.2  
 米制尺寸显示在 [ ]

绘图:

JAH

03-21-2006

批准:

第三角投影



图纸格式发布日期 02-22-2008

图纸格式版本 F

机密: 本图纸及相关信息所有权归A. O. SMITH公司所有。  
 未经A. O. SMITH公司书面授权, 不得泄露、复制、传播或作  
 其他用途。—版权所有

ASME Y14.5M 1994



ELECTRICAL PRODUCTS COMPANY

A DIVISION OF A. O. SMITH CORPORATION

名称

OUTLINE  
 外形图

图幅

C

图号

12744-013

比例

NONE

页号

1

4

3

2

1