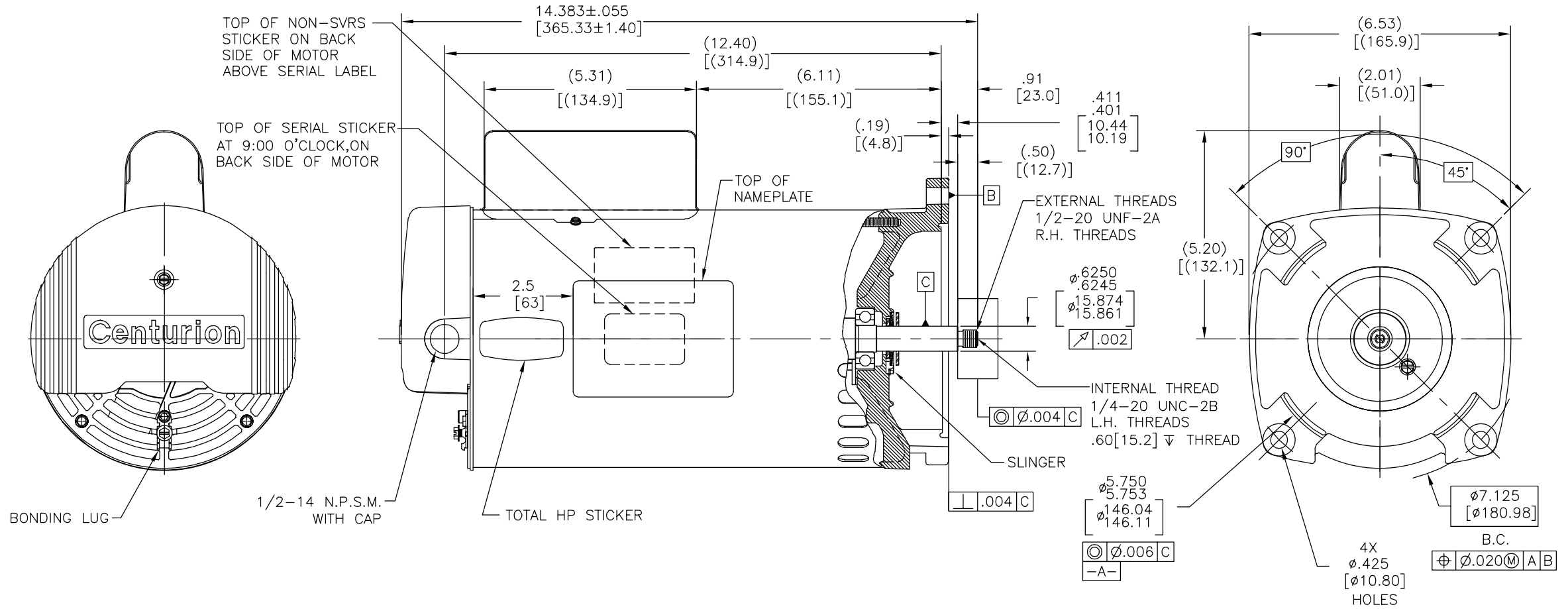


REV	ECO	REV BY	DATE	APPD	DATE
M	0025531	F.NAVARRO	04-24-2012	R.RASCON	04-24-2012



NAMEPLATE DATA	EXTERNAL CONNECTION DIAGRAM	NOTES
MODEL: 196258 CUST PN: B2844 HP: --- SF: --- ROT: CCWPE RPM: 3450 TYPE: CX CODE: G FORM: FRAME: Y56Y VOLTS: 208-230 AMPS: 15.0-13.6 MAX AMPS: SF AMPS: - PH: 1 HZ: 60 INS: F AMB: 50°C DUTY: CONT ENCLOSURE: ODP THERMALLY PROTECTED		NOTES: 1. FOR THREADED SHAFT EXT. ECCENTRICITY OF THREADED PORTION OF SHAFT IS HELD WITHIN .004[.10] TOTAL GAGE READING WITH THE INDICATOR ON O.D. OF GROUND RING GAGE AS SHOWN. THE GAGE BEING STATIONARY WITH RESPECT TO THE ROTOR. 2. END PLAY NOT TO EXCEED .010[.25] MEASURED WITH NO THRUST. 3. ALL DIMENSIONS SHOWN IN PARENTHESIS ARE REFERENCE DIMENSIONS. 4. FINISH PAINT TO BE BLACK. 5. REFERENCE MODEL: B2844

PERFORMANCE CURVE	APPROVED SAMPLE	GEOMETRIC CHARACTERISTICS & SYMBOLS ▽ FLATNESS - STRAIGHTNESS ∠ ANGULARITY ⊥ PERPENDICULARITY (SQUARENESS) // PARALLELISM ○ ROUNDNESS (CIRCULARITY) ∅ CYLINDRICITY △ PROFILE OF ANY SURFACE ∩ PROFILE OF ANY LINE ↑ RUNOUT ⊕ TRUE POSITION ⊙ CONCENTRICITY = SYMMETRY ASME Y14.5M 1994	UNLESS OTHERWISE SPECIFIED DIM. TOLERANCES ARE AS FOLLOWS:	DR BY: JAH	03-13-2006	
15530412	0601161		INCH ±.1 ±.02 ±.005 ±.0005 mm ±0.5 ±0.13 ±0.013 ANG. ±.50 DEG REMOVE BURRS & BREAK SHARP EDGES: INCH .003-.015 mm 0.1-0.4 CORNER FILLETS TO: INCH .020 mm 0.5 MACHINE SURFACES: INCH 125 mm 3.2 METRIC DIMS. SHOWN IN [BRACKETS]	APPD:	EDS DATE 11-11-2011	
UL COMPONENT	CSA			THIRD ANGLE PROJECTION	FORMAT REV G	OUTLINE
FILE#	CCN#	FILE#	GUIDE#	CONFIDENTIAL: THIS DRAWING AND ITS INFORMATION ARE THE EXCLUSIVE AND CONFIDENTIAL PROPERTY OF REGAL-BELOIT CORPORATION AND ARE NOT TO BE DISCLOSED, DUPLICATED, DISTRIBUTED OR OTHERWISE USED WITHOUT THE WRITTEN CONSENT OF REGAL-BELOIT CORPORATION. -ALL RIGHTS RESERVED.		SIZE C DWG NO B2844
PENDING	PENDING	PENDING	PENDING			SCALE NONE SHEET 1
CUSTOMER	DISTRIBUTION					

版本	ECO	编制	日期	批准	日期
M	0025531	F.NAVARRO	04-24-2012	R.RASCON	04-24-2012

D

C

B

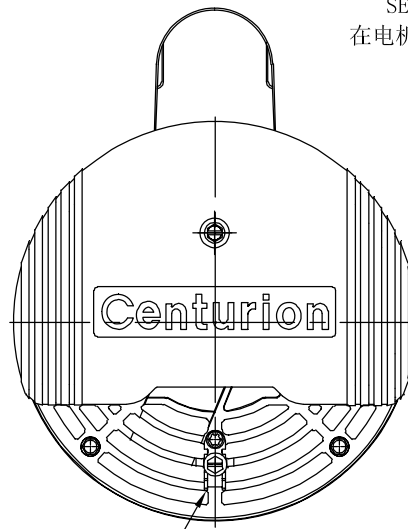
A

D

C

B

A



NON SVRS标贴
顶部在电机背面
标贴的上方

SERIAL标贴顶部
在电机背面9点位置

接线片

1/2-14 N.P.S.M.
带塞子

马力标贴

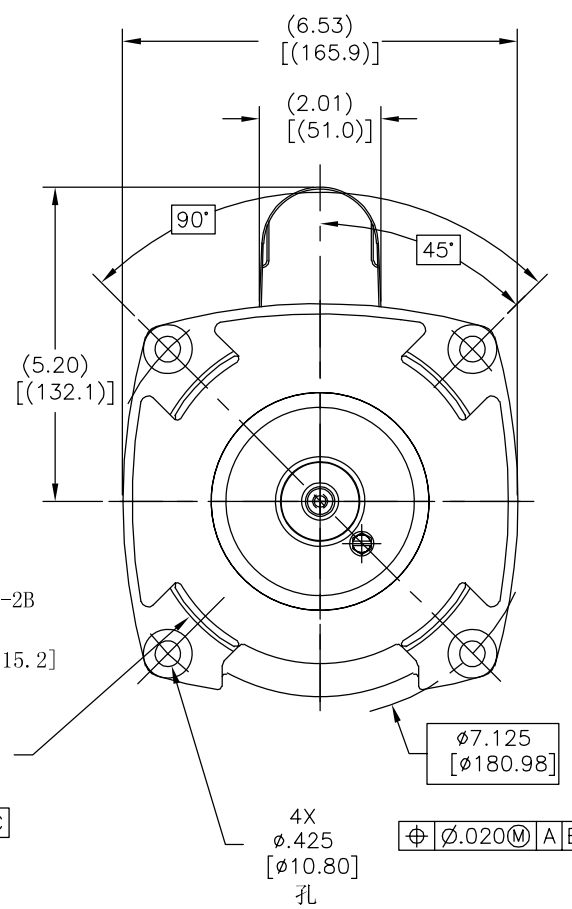
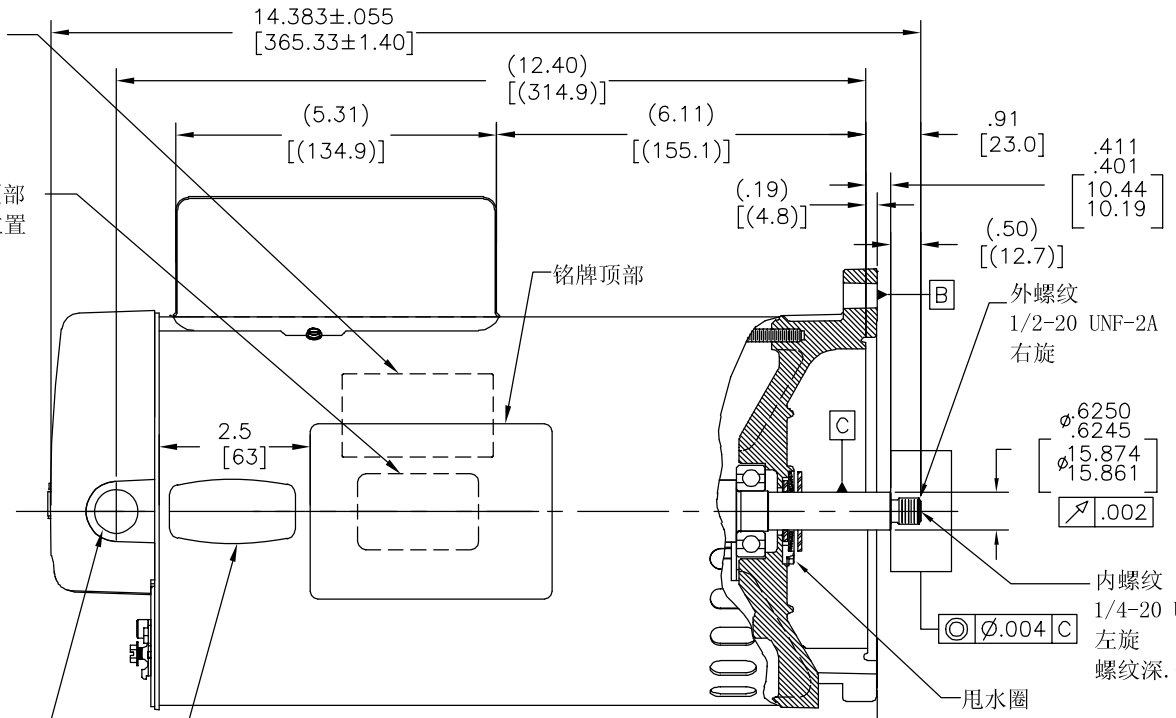
铭牌顶部

外螺纹
1/2-20 UNF-2A
右旋

内螺纹
1/4-20 UNC-2B
左旋
螺纹深.60[15.2]

甩水圈

4X
ø.425
[ø10.80]
孔



NAMEPLATE DATA	EXTERNAL CONNECTION DIAGRAM	NOTES
MODEL: 196258 CUST PN: B2844 HP: --- SF: --- ROT: CCWPE RPM: 3450 TYPE: CX CODE: G FORM: FRAME: Y56Y VOLTS: 208-230 AMPS: 15.0-13.6 MAX AMPS: SF AMPS: - PH: 1 HZ: 60 INS: F AMB: 50°C DUTY: CONT ENCLOSURE: ODP THERMALLY PROTECTED	<p>USE COPPER CONDUCTORS ONLY. INSTALL MOTOR WITH VENTS DOWN. ACCEPTABLE FOR FIELD WIRING</p>	技术要求: 1. 量规测量方法如图所示, 螺纹外径与中心的同心度为.004[.10] 2. 轴向窜动不超过.010[.25] 3. 括号内尺寸为参考尺寸。 4. 表面最终颜色为黑色。 5. 参考型号: B2844

PERFORMANCE CURVE	APPROVED SAMPLE		
15530412	0601161		
UL COMPONENT	CSA		
FILE#	CCN#	FILE#	GUIDE#
PENDING	PENDING	PENDING	PENDING
CUSTOMER	DISTRIBUTION		

形位公差	除另有注明
□ 平面度	尺寸公差如下:
— 直线度	英寸 X XX XXX XXXX
∠ 倾斜度	英寸 ±.1 ±.02 ±.005 ±.0005
⊥ 垂直度	毫米 ±0.5 ±0.13 ±0.013
∥ 平行度	角度 ±.50 度
○ 圆度	清理毛刺和尖棱
⊘ 圆柱度	英寸 .003-.015 毫米 0.1-0.4
⌒ 面轮廓度	内圆角
— 线轮廓度	英寸 .020 毫米 0.5
⌒ 圆跳动	表面粗糙度
⊕ 位置度	英制 125 米制 3.2
⊖ 同轴度	米制尺寸显示在 []
≡ 对称度	

ASME Y14.5M 1994

绘图: JAH	03-13-2006
批准:	
第三角投影	图格式发布日期 11-11-2011
	图格式版本 G

名称	OUTLINE
图幅	C
图号	B2844
比例	NONE
页号	1

机密: 本图纸及相关信息所有权归REGAL-BELOIT CORPORATION。未经REGAL-BELOIT CORPORATION书面授权, 不得泄露、复制、传播或作其他用途。--版权所有



4

3

2

1