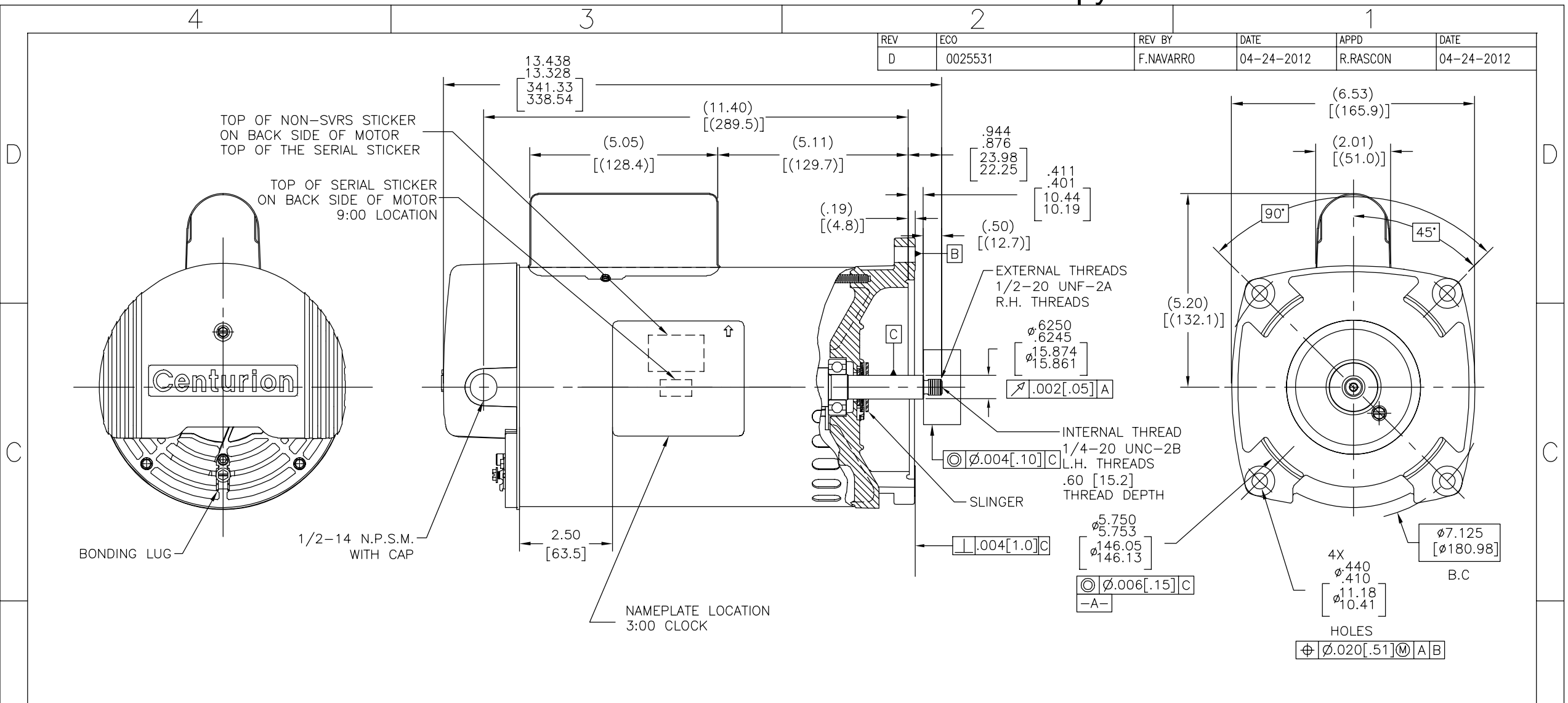
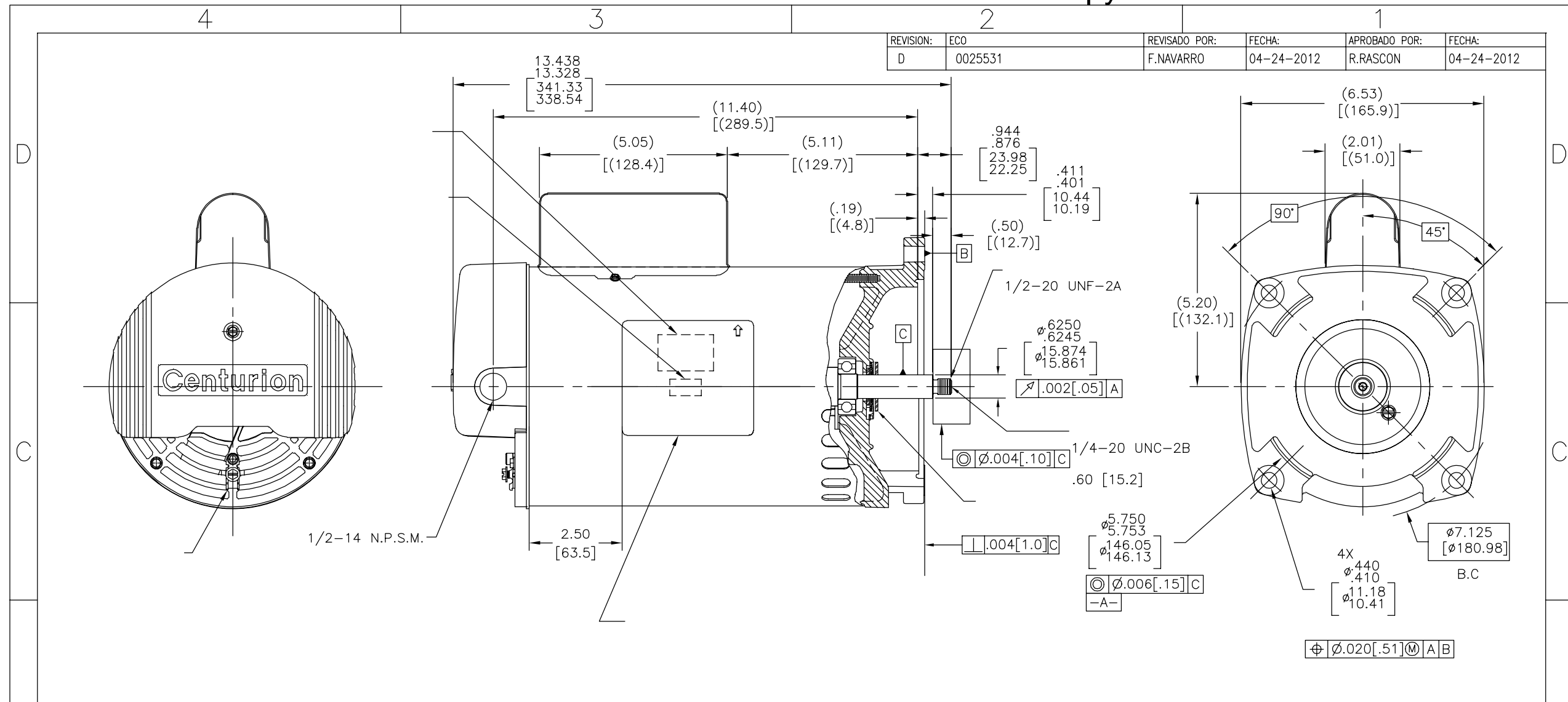


REV	ECO	REV BY	DATE	APPD	DATE
D	0025531	F.NAVARRO	04-24-2012	R.RASCON	04-24-2012



NAMEPLATE DATA	EXTERNAL CONNECTION DIAGRAM	NOTES
MODEL: F56AA42A01 CUST PN: B2840 HP: 2.5 SF: 1.04 ROT: CCWPE RPM: 3450 TYPE: CX CODE: G FORM: KJM FRAME: Y 56 Y VOLTS: 230 AMPS: - MAX AMPS: - SF AMPS: 11.5 PH: 1 HZ: 60 INS: F AMB: 50 °C DUTY: CONT ENCLOSURE: ODP THERMALLY PROTECTED	<p>175367-30</p> <p>USE COPPER CONDUCTORS ONLY. INSTALL MOTOR WITH VENTS DOWN. ACCEPTABLE FOR FIELD WIRING</p>	1. FOR THREADED SHAFT EXTENSION ECCENTRICITY OF THREADED PORTION OF SHAFT IS HELD WITHIN .004[.10] TOTAL GAGE READING WITH THE INDICATOR ON O.D. OF GROUND RING GAGE AS SHOWN. THE GAGE BEING STATIONARY WITH RESPECT TO THE ROTOR. 2. END PLAY NOT TO EXCEED .010[.25] MEASURED WITH NO THRUST. 3. FINISH PAINT TO BE BLACK. 4. REFERENCE MODEL: B2748

PERFORMANCE CURVE	APPROVED SAMPLE	GEOMETRIC CHARACTERISTICS & SYMBOLS ▽ FLATNESS - STRAIGHTNESS ∠ ANGULARITY ⊥ PERPENDICULARITY (SQUARENESS) // PARALLELISM ○ ROUNDNESS (CIRCULARITY) ∅ CYLINDRICITY △ PROFILE OF ANY SURFACE ∩ PROFILE OF ANY LINE ↑ RUNOUT ⊕ TRUE POSITION ◎ CONCENTRICITY = SYMMETRY	DR BY: YL	10-25-2010	REGAL-BELOIT CORPORATION
15593311	B2748		APPD: BL	10-25-2010	
UL COMPONENT	CSA	UNLESS OTHERWISE SPECIFIED DIM. TOLERANCES ARE AS FOLLOWS: INCH X XX XXX XXXX ±.1 ±.02 ±.005 ±.0005 mm ±0.5 ±0.13 ±0.013 ANG. ±.50 DEG REMOVE BURRS & BREAK SHARP EDGES: INCH .003-.015 mm 0.1-0.4 CORNER FILLETS TO: INCH .020 mm 0.5 MACHINE SURFACES: INCH 125 mm 3.2 METRIC DIMS. SHOWN IN [BRACKETS]	THIRD ANGLE PROJECTION	EDS DATE 11-11-2011	CONFIDENTIAL: THIS DRAWING AND ITS INFORMATION ARE THE EXCLUSIVE AND CONFIDENTIAL PROPERTY OF REGAL-BELOIT CORPORATION AND ARE NOT TO BE DISCLOSED, DUPLICATED, DISTRIBUTED OR OTHERWISE USED WITHOUT THE WRITTEN CONSENT OF REGAL-BELOIT CORPORATION. -ALL RIGHTS RESERVED.
FILE# CCN# FILE# GUIDE#	PENDING PENDING PENDING PENDING		FORMAT REV G	DESCRIPTION	
CUSTOMER	DSISTRIBUTION		SIZE C	DWG NO B2840	
			SCALE NONE	SHEET 1	

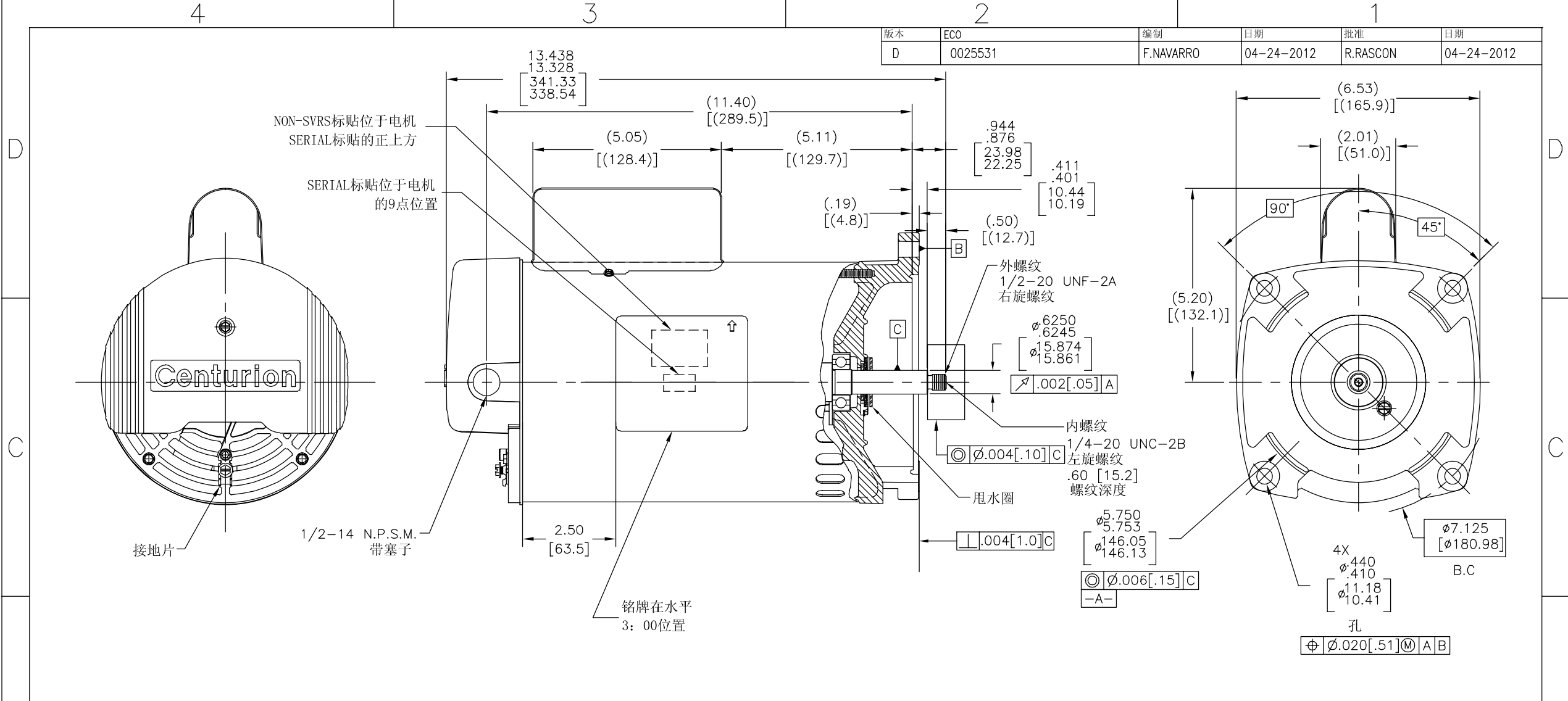


REVISION: ECO	REVISADO POR: F.NAVARRO	FECHA: 04-24-2012	APROBADO POR: R.RASCON	FECHA: 04-24-2012
D	0025531			

NAMEPLATE DATA	EXTERNAL CONNECTION DIAGRAM	NOTES
MODEL: F56AA42A01 CUST PN: B2840 HP: 2.5      SF: 1.04 ROT: CCWPE RPM: 3450 TYPE: CX      CODE: G FORM: KJM      FRAME: Y 56 Y VOLTS: 230 AMPS: - MAX AMPS: - SF AMPS: 11.5 PH: 1      HZ: 60 INS: F      AMB: 50 °C DUTY: CONT ENCLOSURE: ODP THERMALLY PROTECTED		

PERFORMANCE CURVE	APPROVED SAMPLE	CARACTERISTICAS DE GEOMETRIA Y SIMBOLOS Z PLANICIDAD - RECTITUD < ANGULARIDAD ⊥ PERPENDICULARIDAD (A ESCUADRA) // PARALELISMO ○ REDONDEZ (CIRCULARIDAD) ∅ CILINDRICIDAD △ PERFIL DE CUALQUIER SUPERFICIE ∩ PERFIL DE CUALQUIER LINEA ↑ VARIACION ⊕ POSICION REAL ⊙ CONCENTRICIDAD = SIMETRIA	DIBUJADO POR: YL	10-25-2010	
15593311	B2748		APROBADO POR: BL	10-25-2010	
UL COMPONENT	CSA		TERCER ANGULO DE PROYECCION	FECHA EDS: 11-11-2011 REV. FORMATO: G	
FILE#	CCN#		FILE#	GUIDE#	
PENDING	PENDING	PENDING	PENDING	CONFIDENCIAL: ESTE DIBUJO Y SU INFORMACION SON PROPIEDAD DE USO EXCLUSIVO Y CONFIDENCIAL DE REGAL-BELOIT CORPORATION. Y NO DEBERAN SER REVELADOS, DUPLICADOS, DISTRIBUIDOS O USARSE DE OTRA MANERA SIN EL CONSENTIMIENTO ESCRITO DE REGAL-BELOIT CORPORATION. -TODOS LOS DERECHOS RESERVADOS.	DESCRIPCION: OUTLINE
CUSTOMER	DSITRIBUTION	ASME Y14.5M 1994	DIMS METRICAS MOSTRADAS [PARENTESIS]	TAMAÑO: C	NUMERO DE DIBUJO: B2840
				ESCALA: NONE	HOJA: 1

版本	ECO	编制	日期	批准	日期
D	0025531	F.NAVARRO	04-24-2012	R.RASCON	04-24-2012



NAMEPLATE DATA	EXTERNAL CONNECTION DIAGRAM	NOTES
MODEL: F56AA42A01 CUST PN: B2840 HP: 2.5 SF: 1.04 ROT: CCWPE RPM: 3450 TYPE: CX CODE: G FORM: KJM FRAME: Y 56 Y VOLTS: 230 AMPS: - MAX AMPS: - SF AMPS: 11.5 PH: 1 HZ: 60 INS: F AMB: 50 °C DUTY: CONT ENCLOSURE: ODP THERMALLY PROTECTED	<p>USE COPPER CONDUCTORS ONLY. INSTALL MOTOR WITH VENTS DOWN. ACCEPTABLE FOR FIELD WIRING</p>	1. 量规测量方法如图所示, 螺纹外径与中心的同心度为.004[.10]. 2. 轴向窜动不超过.010[.25]. 3. 表面黑色漆. 4. 参考机型:B2748

PERFORMANCE CURVE	APPROVED SAMPLE	形位公差 □ 平面度 — 直线度 ∠ 倾斜度 ⊥ 垂直度 ∥ 平行度 ○ 圆度 ⊙ 圆柱度 R 面轮廓度 L 线轮廓度 / 圆跳动 ⊕ 位置度 ◎ 同轴度 = 对称度	除另有注明 尺寸公差如下: 英寸 X XX XXX XXXX 毫米 ±.1 ±.02 ±.005 ±.0005 毫米 ±0.5 ±0.13 ±0.013 角度 ±.50 度 清理毛刺和尖棱 英寸 .003-.015 毫米 0.1-0.4 内圆角 英寸 .020 毫米 0.5 表面粗糙度 英制 125 米制 3.2	绘图: YL	10-25-2010	
15593311	B2748			批准: BL	10-25-2010	
UL COMPONENT	CSA			第三角投影	图纸格式发布日期 11-11-2011 图纸格式版本 G	图幅: C
FILE#	CCN#	FILE#	GUIDE#	机密: 本图纸及相关信息所有权归REGAL-BELOIT CORPORATION. 未经REGAL-BELOIT CORPORATION书面授权, 不得泄露、复制、传播或作其他用途。--版权所有		图号: B2840
PENDING	PENDING	PENDING	PENDING	比例: NONE		页号: 1
CUSTOMER	DSITRIBUTION					