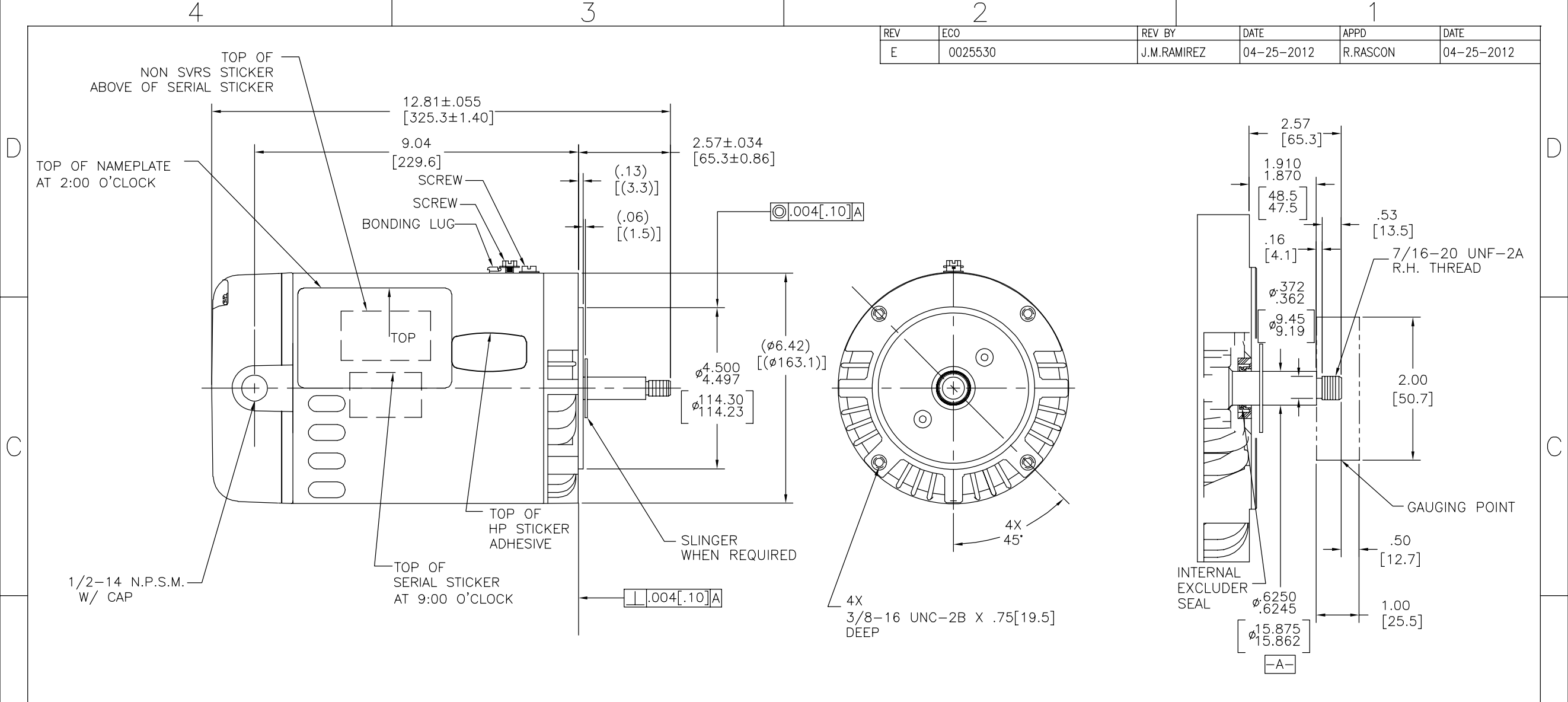


| | | | | | |
|-----|---------|-------------|------------|----------|------------|
| REV | ECO | REV BY | DATE | APPD | DATE |
| E | 0025530 | J.M.RAMIREZ | 04-25-2012 | R.RASCON | 04-25-2012 |

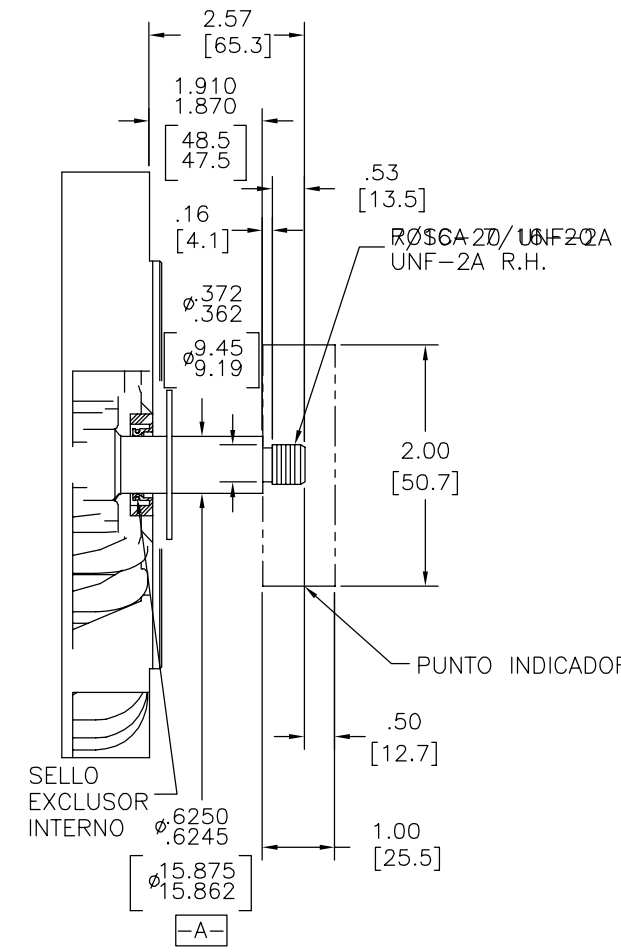
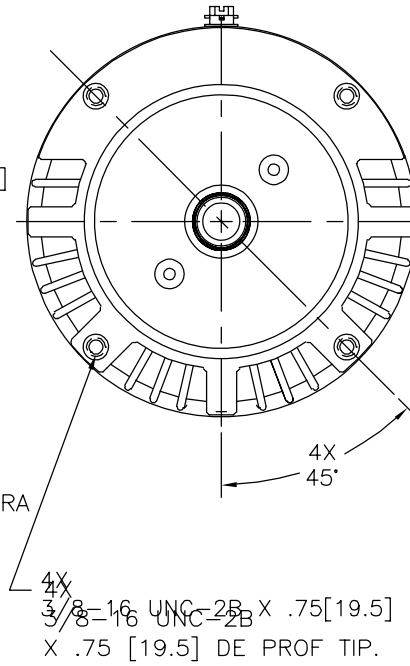
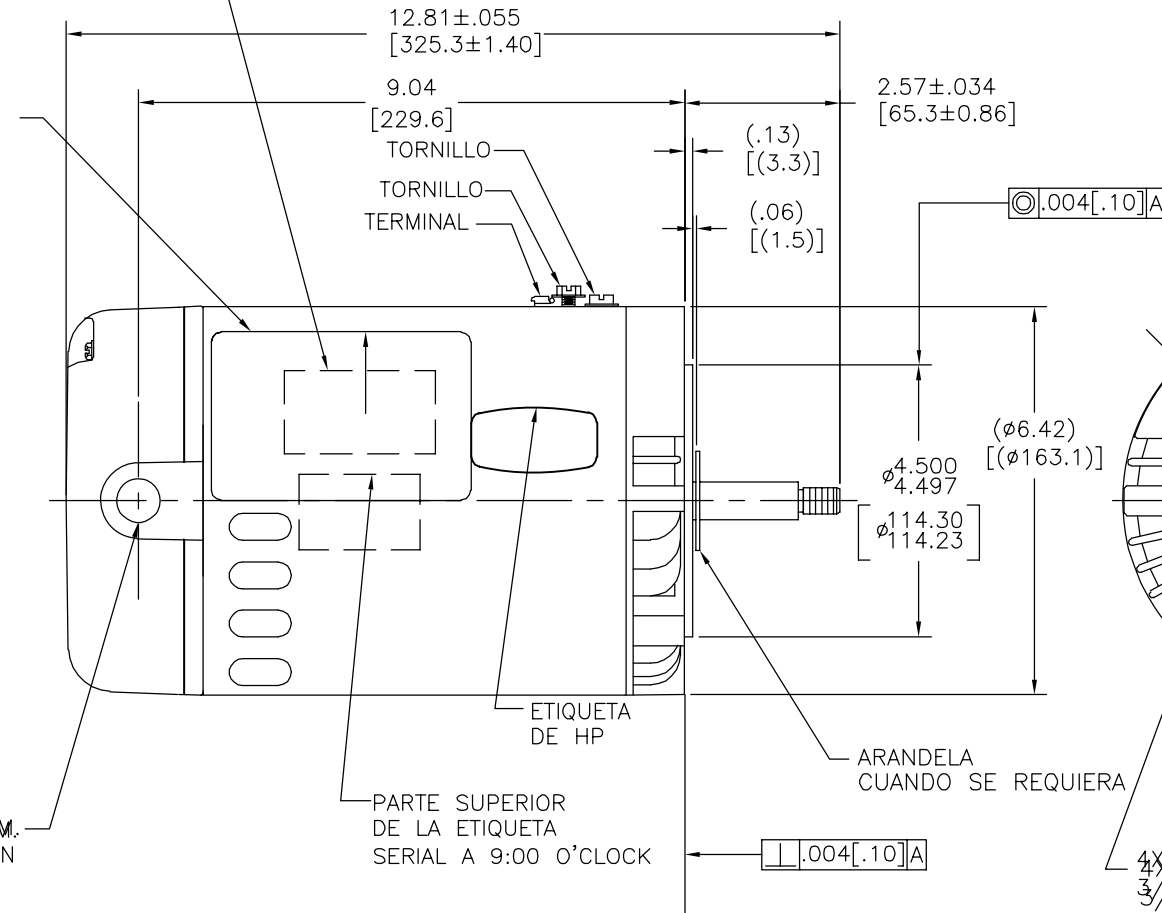


| NAMEPLATE DATA | EXTERNAL CONNECTION DIAGRAM | NOTES |
|--|--|---|
| <p>MODEL: 184981 CUST PN: B228SE HP: 1.0 SF: 1.0 ROT: CCWPE RPM: 3450 TYPE: CX CODE: G FORM: KJM FRAME: U 56 J VOLTS: 230/115 AMPS: 6.0/12.0 MAX AMPS: --- SF AMPS: --- PH: 1 HZ: 60 INS: B AMB: 50°C DUTY: CONT ENCLOSURE: ODP THERMALLY PROTECTED</p> | <p>02282603-001</p> <p>HIGH VOLT CONNECTION AS SHOWN. TO CHANGE TO LOW VOLT, MOVE THE BLACK PLUG TO ALIGN THE ARROWS AT THE 115V. LOCATION. USE COPPER CONDUCTORS ONLY. INSTALL MOTOR WITH VENTS DOWN. ACCEPTABLE FOR FIELD WIRING</p> <p>DUAL VOLTAGE</p> | <ol style="list-style-type: none"> SHAFT RUNOUT NOT TO EXCEED .002 [.05] T.I.R. FOR THREADED SHAFT EXT. MATING PARTS SHOULD BE RELIEVED ONE THREAD TO CLEAR FILLET. FOR THREADED SHAFT EXT. ECCENTRICITY OF THREADED PORTION OF SHAFT IS HELD WITHIN .004 [.10] TOTAL GAGE READING WITH THE INDICATOR ON O.D. OF GROUND RING GAGE AS SHOWN. THE GAGE BEING STATIONARY WITH RESPECT TO THE ROTOR. END PLAY NOT TO EXCEED .010 [.25] MEASURED WITH NO THRUST. |

| | | | | | | |
|-------------------|-----------------|--|---|------------------------|---------------------|---------------------------------|
| PERFORMANCE CURVE | APPROVED SAMPLE | GEOMETRIC CHARACTERISTICS & SYMBOLS □ FLATNESS — STRAIGHTNESS ∠ ANGULARITY ⊥ PERPENDICULARITY (SQUARENESS) // PARALLELISM ○ ROUNDNESS (CIRCULARITY) ∅ CYLINDRICITY △ PROFILE OF ANY SURFACE ∇ PROFILE OF ANY LINE ↑ RUNOUT ⊕ TRUE POSITION ⊙ CONCENTRICITY = SYMMETRY | UNLESS OTHERWISE SPECIFIED DIM. TOLERANCES ARE AS FOLLOWS: | DR BY: AS | 09-15-2010 | <p>REGAL-BELOIT CORPORATION</p> |
| 16345111 | ---- | | INCH ±.1 ±.02 ±.005 ±.0005 mm ±0.5 ±0.13 ±0.013 ANG. ±.50 DEG REMOVE BURRS & BREAK SHARP EDGES: INCH .003-.015 mm 0.1-0.4 CORNER FILLETS TO: INCH .020 mm 0.5 MACHINE SURFACES: INCH 125 mm 3.2 | APPD: TZ | 09-15-2010 | |
| UL COMPONENT | CSA | | | THIRD ANGLE PROJECTION | EDS DATE 11-11-2011 | MODEL-CFHP-56FR |
| FILE# | CCN# | FILE# | GUIDE# | | FORMAT REV G | OUTLINE |
| E14663 | XEWZ | LR4642 | 4211-01 | | | SIZE C |
| CUSTOMER | DISTRIBUTION | | | | | DWG NO B228SE |
| | | | | | | SCALE NONE |
| | | | | | | SHEET 1 |

| | | | | | |
|-----------|---------|---------------|------------|---------------|------------|
| REVISION: | ECO | REVISADO POR: | FECHA: | APROBADO POR: | FECHA: |
| E | 0025530 | J.M.RAMIREZ | 04-25-2012 | R.RASCON | 04-25-2012 |

LA PARTE SUPERIOR SIN LA ETIQUETA SVRS, DEBAJO DE LA ETIQUETA SERIAL



| NAMEPLATE DATA | EXTERNAL CONNECTION DIAGRAM | NOTES |
|---|-----------------------------|--|
| MODEL: 184981 CUST PN: B228SE HP: 1.0 SF: 1.0 ROT: CCWPE RPM: 3450 TYPE: CX CODE: G FORM: KJM FRAME: U 56 J VOLTS: 230/115 AMPS: 6.0/12.0 MAX AMPS: --- SF AMPS: --- PH: 1 HZ: 60 INS: B AMB: 50°C DUTY: CONT ENCLOSURE: ODP THERMALLY PROTECTED | <p>DUAL VOLTAGE</p> | <ol style="list-style-type: none"> EL OSCILAMIENTO DE LA FLECHA NO EXCEDERA DE .002 [.05] L.T.I. PARA FLECHAS DE ROSCA EXTERNA LAS PARTES QUE SE ACOPLAN DEBEN SER LIBERADAS UNA ROSCA PARA LIBRAR EL FILO. PARA EXT. DE FLECHA CON ROSCA, LA EXCENTRICIDAD DE LA PORCION ROSCADA DE LA FLECHA ES SOSTENIDA DENTRO DE .004 [.10] TOTAL. EL MEDIDOR CON EL INDICADOR SOBRE EL DIAM. EXT. INDICADOR DEL ANILLO DE TIERRA COMO SE MUESTRA. SIENDO EL MEDIDOR ESTACIONARIO CON RESPECTO AL ROTOR. JUEGO AXIAL NO EXCEDERA DE .010 [.25] MEDIDO SIN PRESIONAR |

| | | | |
|-------------------|-----------------|--------|---------|
| PERFORMANCE CURVE | APPROVED SAMPLE | | |
| 16345111 | ---- | | |
| UL COMPONENT | CSA | | |
| FILE# | CCN# | FILE# | GUIDE# |
| E14663 | XEWRZ | LR4642 | 4211-01 |
| CUSTOMER | DISTRIBUTION | | |

CARACTERISTICAS DE GEOMETRIA Y SIMBOLOS

- PLANICIDAD
- RECTITUD
- ∠ ANGULARIDAD
- ⊥ PERPENDICULARIDAD (A ESQUADRA)
- // PARALELISMO
- REDONDEZ (CIRCULARIDAD)
- ∅ CILINDRICIDAD
- △ PERFIL DE CUALQUIER SUPERFICIE
- ∧ PERFIL DE CUALQUIER LINEA
- ↑ VARIACION
- ⊕ POSICION REAL
- ◎ CONCENTRICIDAD
- = SIMETRIA

ASME Y14.5M 1994

A MENOS QUE SE ESPECIFIQUE DE OTRA MANERA, LAS TOLERANCIAS DE LAS DIMS; SON LAS SIGUIENTES:

PULG ±.1 ±.02 ±.005 ±.0005
 mm ±0.5 ±0.13 ±0.013

ANG. ±50 GRADOS

ELIMINAR REBABAS Y ORILLAS FILOSAS DEL BORDE.

PULG .003-.015 mm 0.1-0.4

FILETEAR ESQUINA: PULG .020 mm 0.5

MAQUINAR SUPERFICIES

PULG 125 mm 3.2

DIMS METRICAS MOSTRADAS [PARENTESIS]

| | | |
|---|----|--|
| DIBUJADO POR: | AS | 09-15-2010 |
| APROBADO POR: | TZ | 09-15-2010 |
| TERCER ANGULO DE PROYECCION | | FECHA EDS: 11-11-2011 REV. FORMATO: G |
| CONFIDENCIAL: ESTE DIBUJO Y SU INFORMACION SON PROPIEDAD DE USO EXCLUSIVO Y CONFIDENCIAL DE REGAL-BELOIT CORPORATION. Y NO DEBERAN SER REVELADOS, DUPLICADOS, DISTRIBUIDOS O USARSE DE OTRA MANERA SIN EL CONSENTIMIENTO ESCRITO DE REGAL-BELOIT CORPORATION. -TODOS LOS DERECHOS RESERVADOS. | | |

| | |
|----------------------------|--------------------------|
| | |
| DESCRIPCION: | |
| MODEL-CFHP-56FR OUTLINE | |
| TAMAÑO: C | NUMERO DE DIBUJO: B228SE |
| ESCALA: NONE | HOJA: 1 |

4

3

2

1

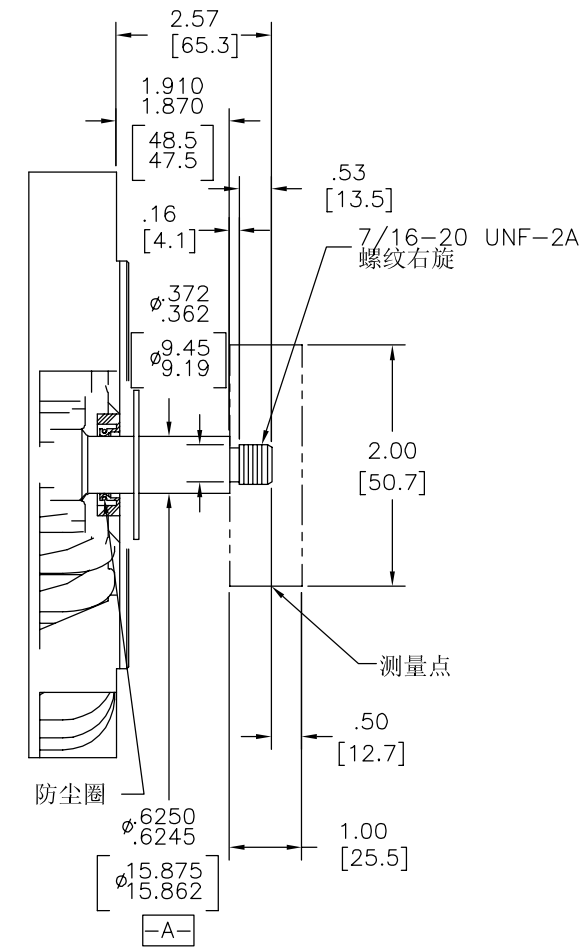
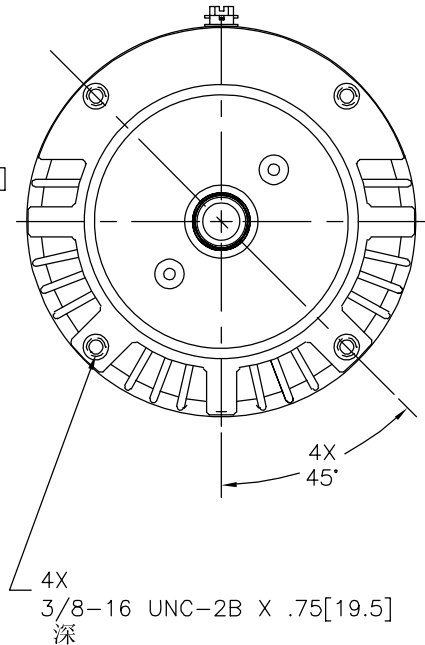
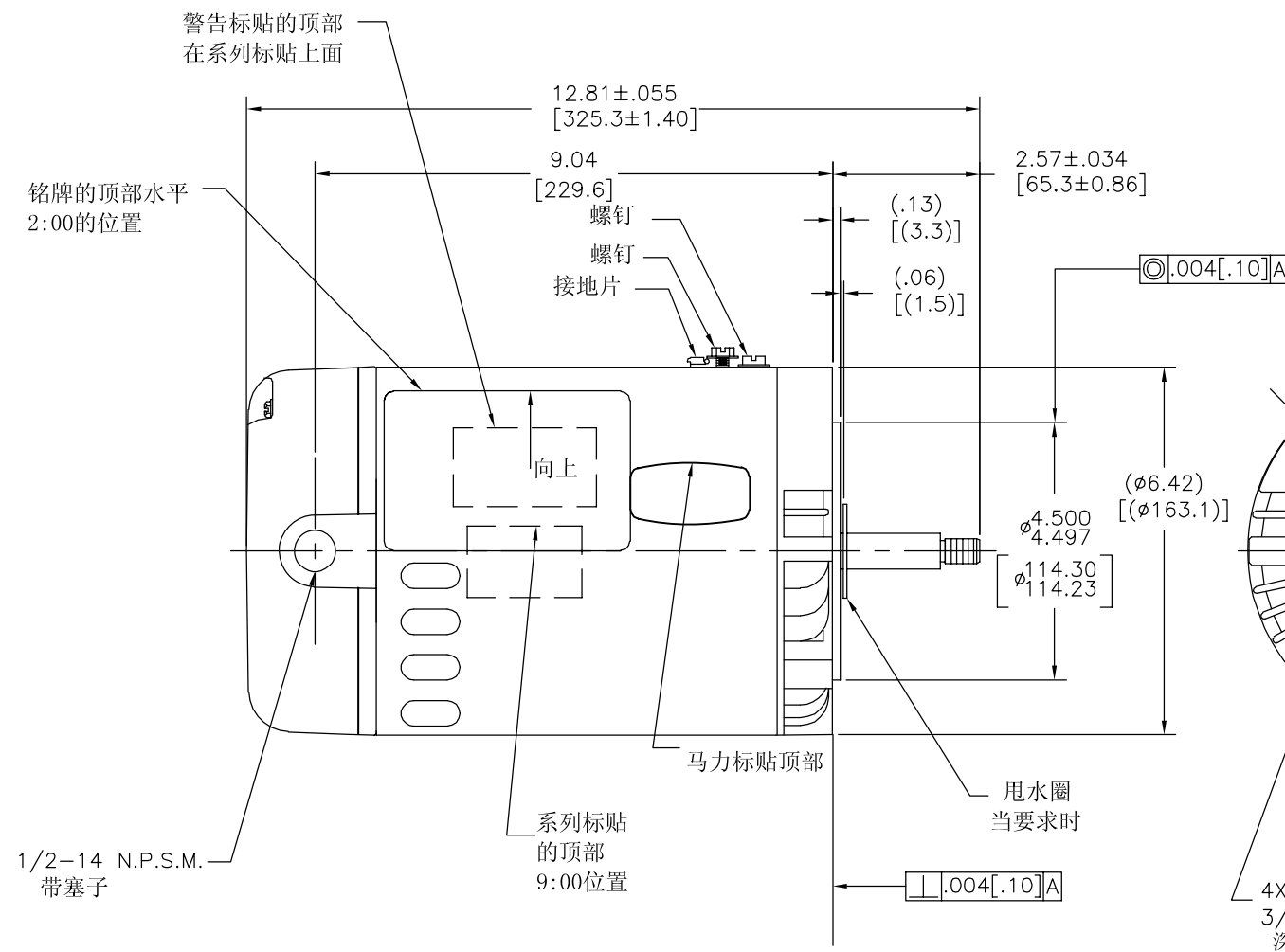
4

3

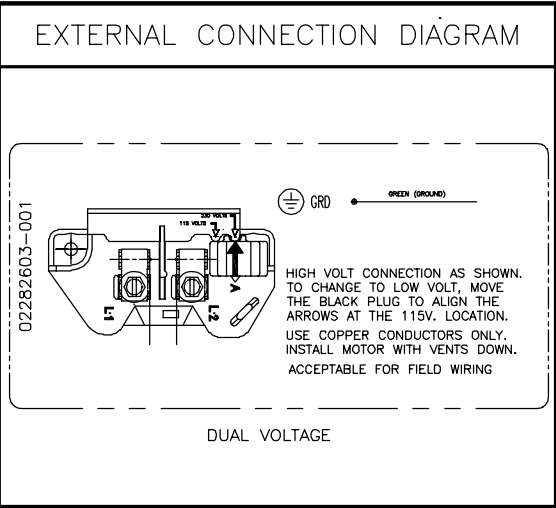
2

1

| | | | | | |
|----|---------|-------------|------------|----------|------------|
| 版本 | ECO | 编制 | 日期 | 批准 | 日期 |
| E | 0025530 | J.M.RAMIREZ | 04-25-2012 | R.RASCON | 04-25-2012 |



| NAMEPLATE DATA | |
|---------------------|-----------------|
| MODEL: 184981 | CUST PN: B228SE |
| HP: 1.0 | SF: 1.0 |
| ROT: CCWPE | |
| RPM: 3450 | |
| TYPE: CX | CODE: G |
| FORM: KJM | FRAME: U 56 J |
| VOLTS: 230/115 | |
| AMPS: 6.0/12.0 | |
| MAX AMPS: --- | |
| SF AMPS: --- | |
| PH: 1 | HZ: 60 |
| INS: B | AMB: 50°C |
| DUTY: CONT | |
| ENCLOSURE: ODP | |
| THERMALLY PROTECTED | |



- NOTES
1. 转轴跳动不超过.002[.05] T. I. R.
 2. 螺纹端面应能旋紧至与轴肩齐平处。
 3. 使用量规测量轴螺纹同心度(如图所示)与轴的同轴度不超过.004[.10]
 4. 在无外推力情况下，轴窜不超过.010[.25]

| | | | |
|-------------------|-----------------|--------|---------|
| PERFORMANCE CURVE | APPROVED SAMPLE | | |
| 16345111 | ---- | | |
| UL COMPONENT | CSA | | |
| FILE# | CCN# | FILE# | GUIDE# |
| E14663 | XEWRZ | LR4642 | 4211-01 |
| CUSTOMER | DISTRIBUTION | | |

形位公差
 □ 平面度
 — 直线度
 < 倾斜度
 ⊥ 垂直度
 // 平行度
 ○ 圆度
 ⊙ 圆柱度
 △ 面轮廓度
 ∩ 线轮廓度
 ↗ 圆跳动
 ⊕ 位置度
 ⊙ 同轴度
 ≡ 对称度

除另有注明
 尺寸公差如下:
 英寸 X XX XXX XXXX
 毫米 ±.1 ±.02 ±.005 ±.0005
 角度 ±.50 度
 清理毛刺和尖棱
 英寸 .003-.015 毫米 0.1-0.4
 内圆角
 英寸 .020 毫米 0.5
 表面粗糙度
 英制 125 米制 3.2
 米制尺寸显示在 []

| | | |
|--|----|---------------------------------|
| 绘图: | AS | 09-15-2010 |
| 批准: | TZ | 09-15-2010 |
| 第三角投影 | | 图纸格式发布日期 11-11-2011 图纸格式版本 G |
| 机密: 本图纸及相关信息所有权归REGAL-BELOIT CORPORATION. 未经REGAL-BELOIT CORPORATION书面授权, 不得泄露、复制、传播或作其他用途。一版权所有 | | |

REGAL-BELOIT CORPORATION

名称: MODEL-CFHP-56FR OUTLINE

图幅: C 图号: B228SE

比例: NONE 页号: 1