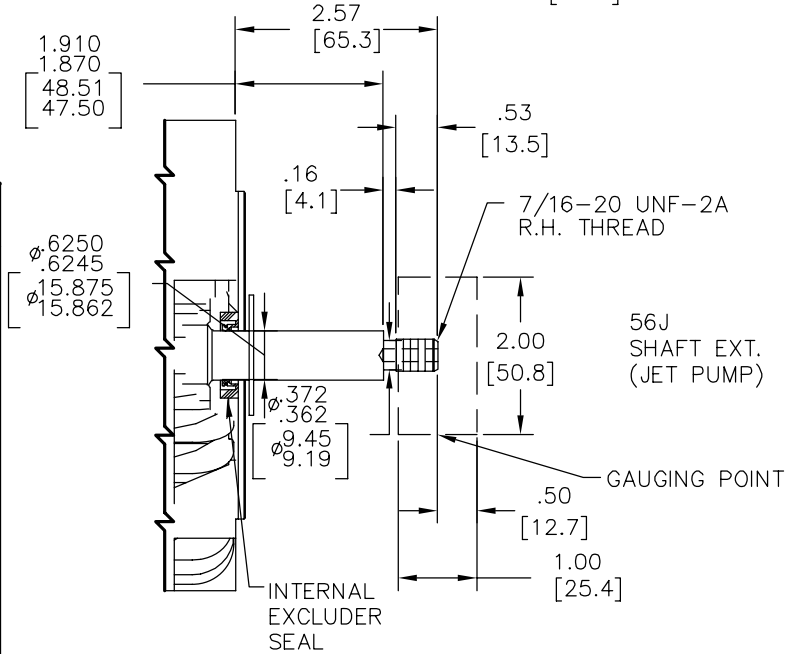
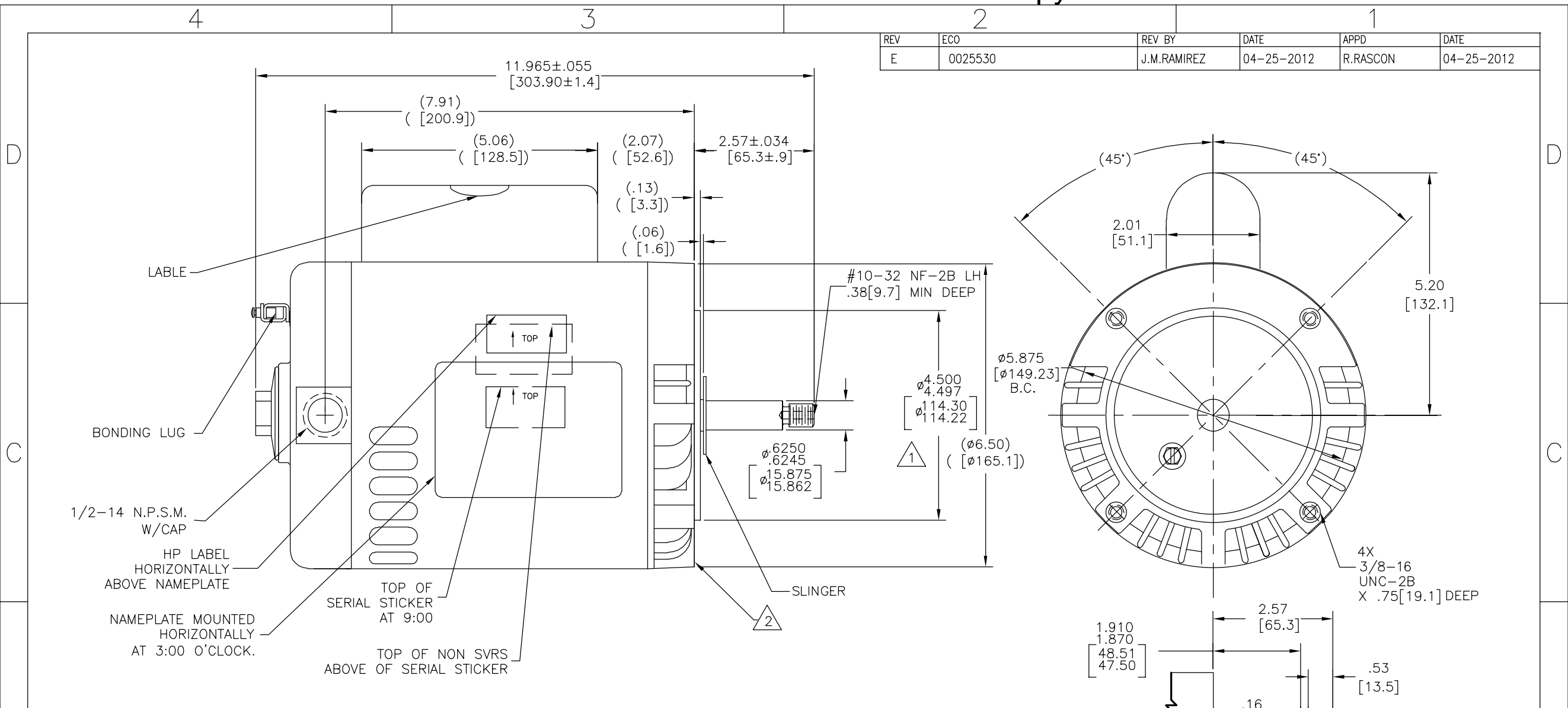


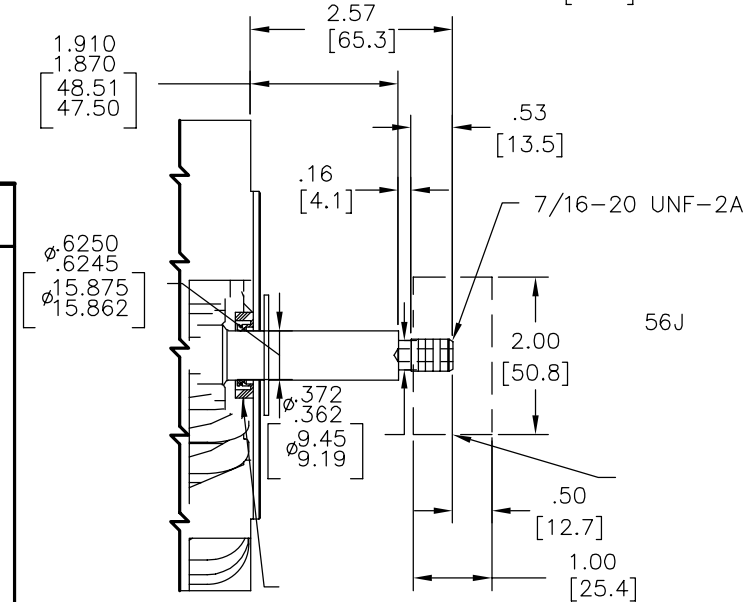
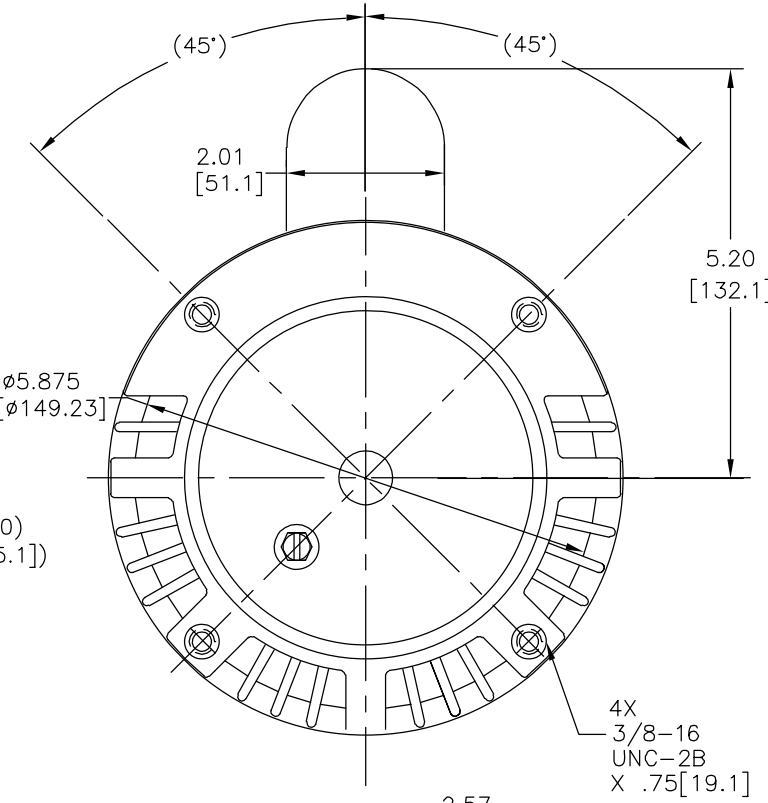
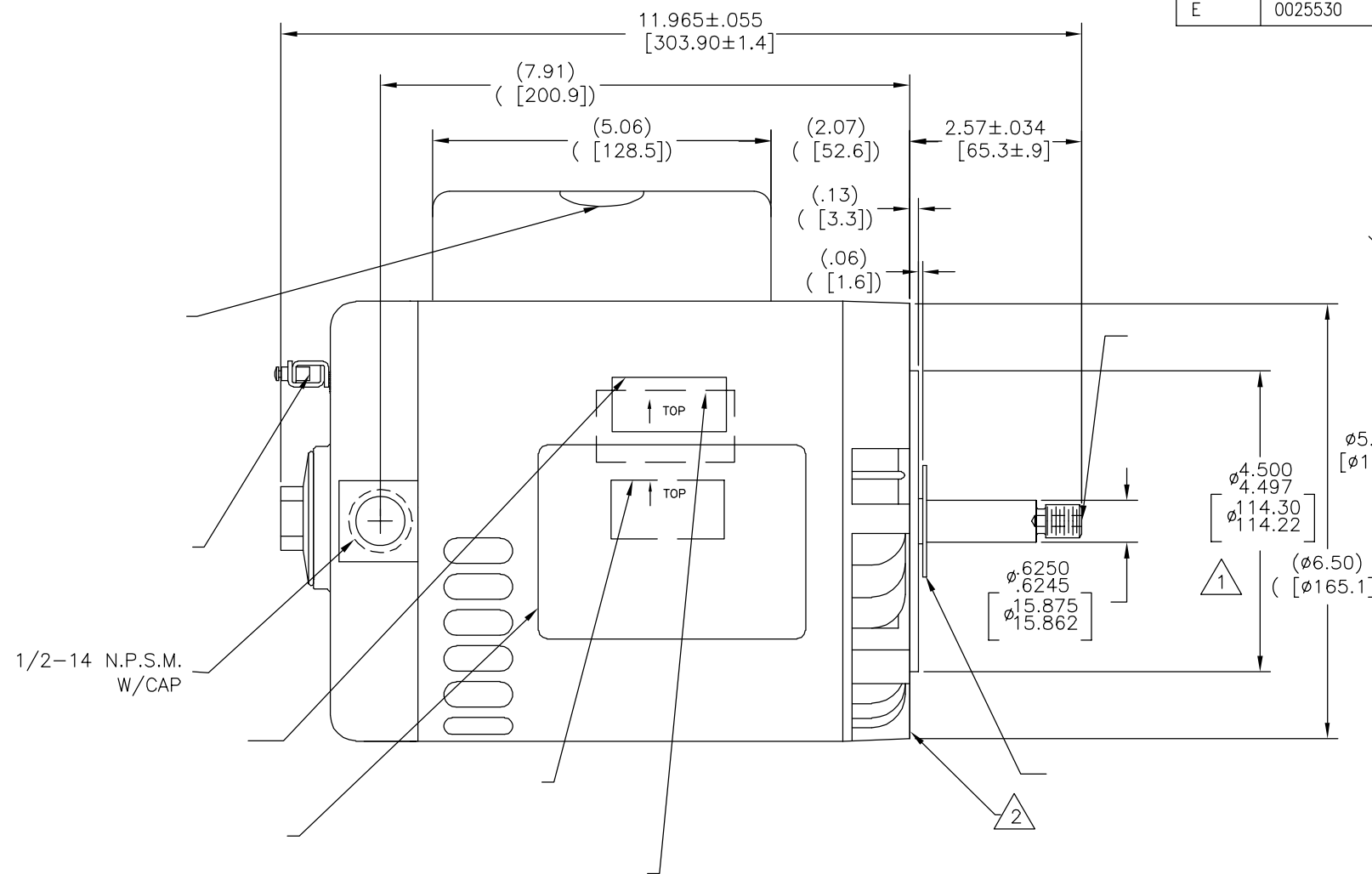
REV	ECO	REV BY	DATE	APPD	DATE
E	0025530	J.M.RAMIREZ	04-25-2012	R.RASCON	04-25-2012



NAMEPLATE DATA	EXTERNAL CONNECTION DIAGRAM	NOTES
MODEL: 164302 CUST PN: B127 HP: 3/4 SF: 1.5 ROT: CCWPE RPM: 3450 TYPE: CX CODE: J FORM: KJM FRAME: S56J VOLTS: 230/115 AMPS: SF 6.0/12.0 MAX AMPS: - SF AMPS: - PH: 1 HZ: 60 INS: B AMB: 50°C DUTY: CONT ENCLOSURE: ODP THERMALLY PROTECTED	<p>LOW VOLTAGE: BROWN → B, WHITE → B, WHITE → L2, A</p> <p>HIGH VOLTAGE: WHITE → B, L1 → LINE, L2 → LINE, BROWN → A</p> <p>NON-REVERSIBLE</p>	1. PILOT DIAMETER IS CONCENTRIC WITH SHAFT CENTERLINE WITHIN .004[.10] T.I.R. 2. FACE OF MOUNTING FLANGE IS PERPENDICULAR TO SHAFT CENTERLINE WITHIN .004[.10] T.I.R. 3. SHAFT RUNOUT NOT TO EXCEED .002[.05] T.I.R. 4. END PLAY NOT TO EXCEED .010[.25] MEASURED WITH NO THRUST

PERFORMANCE CURVE	APPROVED SAMPLE	GEOMETRIC CHARACTERISTICS & SYMBOLS □ FLATNESS - STRAIGHTNESS < ANGLARITY ⊥ PERPENDICULARITY (SQUARENESS) // PARALLELISM ○ ROUNDNESS (CIRCULARITY) ∅ CYLINDRICITY △ PROFILE OF ANY SURFACE ∩ PROFILE OF ANY LINE ↑ RUNOUT ⊕ TRUE POSITION ⊙ CONCENTRICITY = SYMMETRY	UNLESS OTHERWISE SPECIFIED DIM. TOLERANCES ARE AS FOLLOWS:	DR BY: PZ	09-08-2010	REGAL-BELOIT CORPORATION DESCRIPTION: MODEL-CFHP-56FR OUTLINE
16345111	-		INCH .1 ±.02 ±.005 ±.0005 mm ±0.5 ±0.13 ±0.013 ANG. ±.50 DEG REMOVE BURRS & BREAK SHARP EDGES: INCH .003-.015 mm 0.1-0.4 CORNER FILLETS TO: INCH .020 mm 0.5 MACHINE SURFACES: INCH 125 mm 3.2	APPD: SARA.H	09-08-2010	
UL COMPONENT	CSA			THIRD ANGLE PROJECTION	EDS DATE 11-11-2011 FORMAT REV G	
FILE#	CCN#	FILE#	GUIDE#	CONFIDENTIAL: THIS DRAWING AND ITS INFORMATION ARE THE EXCLUSIVE AND CONFIDENTIAL PROPERTY OF REGAL-BELOIT CORPORATION AND ARE NOT TO BE DISCLOSED, DUPLICATED, DISTRIBUTED OR OTHERWISE USED WITHOUT THE WRITTEN CONSENT OF REGAL-BELOIT CORPORATION. -ALL RIGHTS RESERVED.		
E14663	XZWR2	LR4642	4211-01			
CUSTOMER	DISTRIBUTION					

REVISION:	ECO	REVISADO POR:	FECHA:	APROBADO POR:	FECHA:
E	0025530	J.M.RAMIREZ	04-25-2012	R.RASCON	04-25-2012



NAMEPLATE DATA	EXTERNAL CONNECTION DIAGRAM	NOTES
MODEL: 164302 CUST PN: B127 HP: 3/4 SF: 1.5 ROT: CCWPE RPM: 3450 TYPE: CX CODE: J FORM: KJM FRAME: S56J VOLTS: 230/115 AMPS: SF 6.0/12.0 MAX AMPS: - SF AMPS: - PH: 1 HZ: 60 INS: B AMB: 50°C DUTY: CONT ENCLOSURE: ODP THERMALLY PROTECTED		

PERFORMANCE CURVE	APPROVED SAMPLE		
16345111	-		
UL COMPONENT	CSA		
FILE#	CCN#	FILE#	GUIDE#
E14663	XZWR2	LR4642	4211-01
CUSTOMER	DISTRIBUTION		

CARACTERISTICAS DE GEOMETRIA Y SIMBOLOS

- PLANICIDAD
- RECTITUD
- ∠ ANGULARIDAD
- ⊥ PERPENDICULARIDAD (A ESQUADRA)
- // PARALELISMO
- REDONDEZ (CIRCULARIDAD)
- ⊘ CILINDRICIDAD
- △ PERFIL DE CUALQUIER SUPERFICIE
- ∧ PERFIL DE CUALQUIER LINEA
- ↑ VARIACION
- ⊕ POSICION REAL
- ◎ CONCENTRICIDAD
- = SIMETRIA

ASME Y14.5M 1994

A MENOS QUE SE ESPECIFIQUE DE OTRA MANERA, LAS TOLERANCIAS DE LAS DIMS; SON LAS SIGUIENTES:

PULG ±.1 ±.02 ±.005 ±.0005  
 mm ±0.5 ±0.13 ±0.013

ANG. ±.50 GRADOS

ELIMINAR REBABAS Y ORILLAS FILOSAS DEL BORDE.

PULG .003-.015 mm 0.1-0.4  
 FILETEAR ESQUINA: PULG .020 mm 0.5

MAQUINAR SUPERFICIES  
 PULG 125 mm 3.2

DIMS METRICAS MOSTRADAS [PARENTESIS]

DIBUJADO POR: PZ 09-08-2010

APROBADO POR: SARA.H 09-08-2010

TERCER ANGULO DE PROYECCION

FECHA EDS: 11-11-2011  
 REV. FORMATO: G

CONFIDENCIAL: ESTE DIBUJO Y SU INFORMACION SON PROPIEDAD DE USO EXCLUSIVO Y CONFIDENCIAL DE REGAL-BELOIT CORPORATION. Y NO DEBERAN SER REVELADOS, DUPLICADOS, DISTRIBUIDOS O USARSE DE OTRA MANERA SIN EL CONSENTIMIENTO ESCRITO DE REGAL-BELOIT CORPORATION. -TODOS LOS DERECHOS RESERVADOS.

DESCRIPCION: MODEL-CFHP-56FR OUTLINE	
TAMAÑO: C	NUMERO DE DIBUJO: B127
ESCALA: NONE	HOJA: 1

4

3

2

1

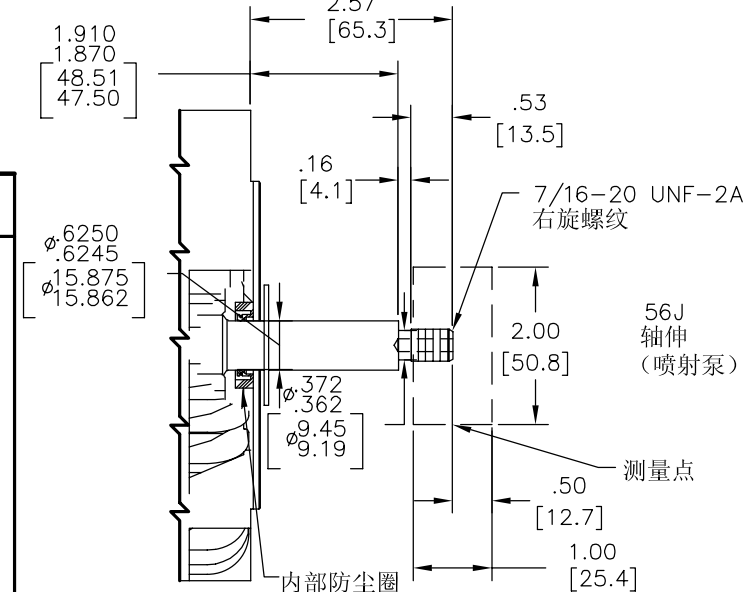
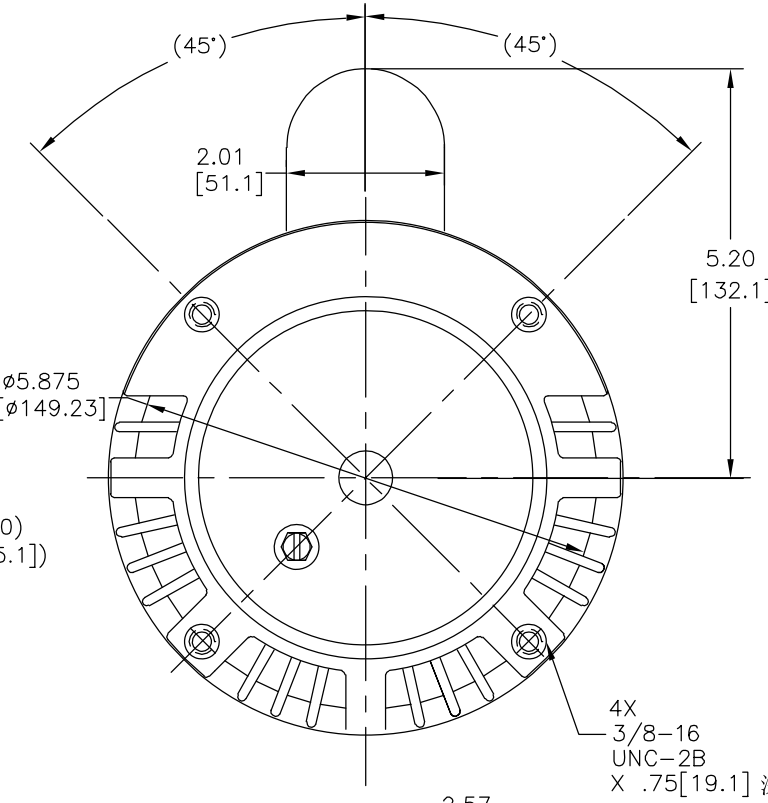
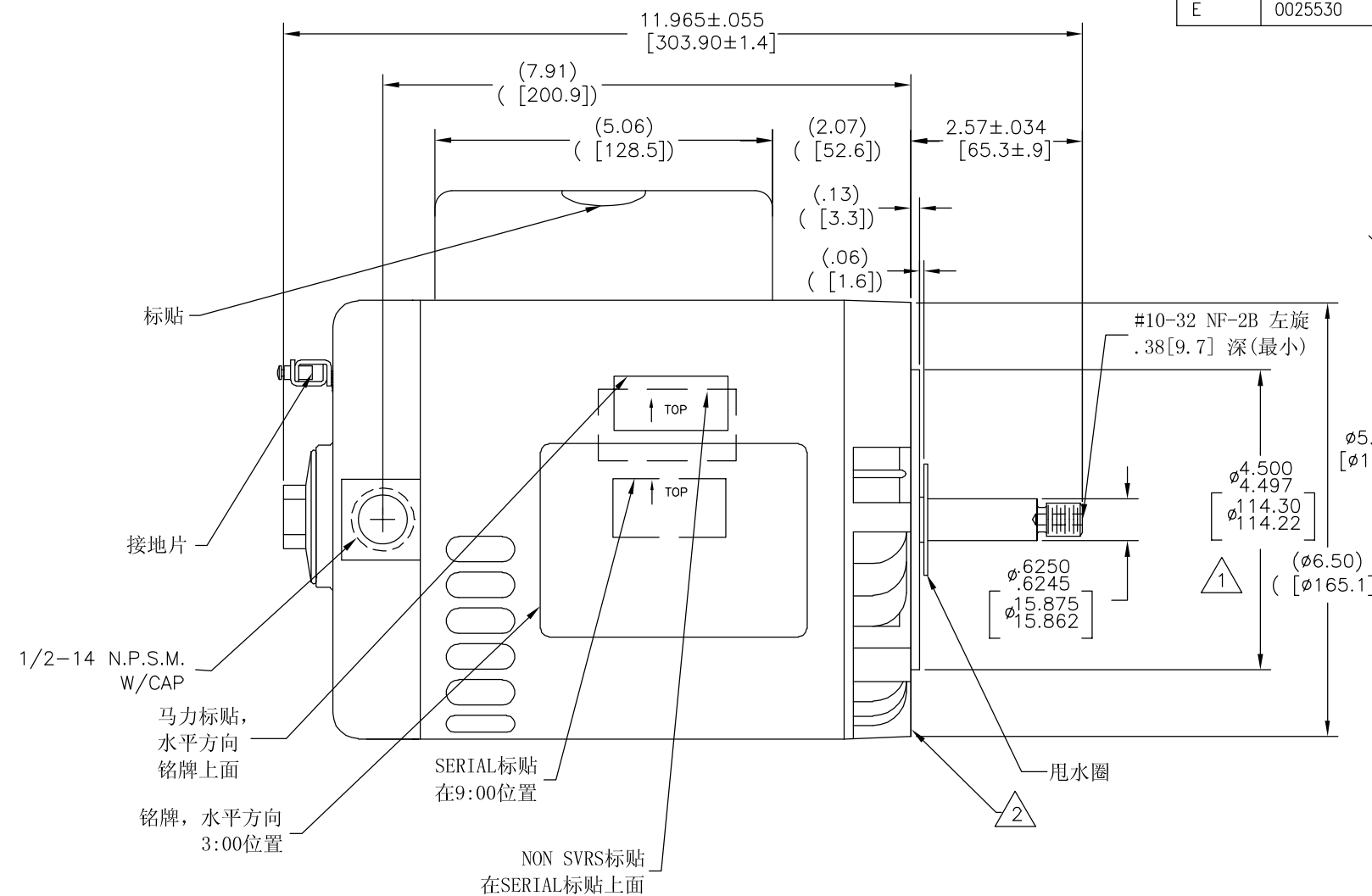
4

3

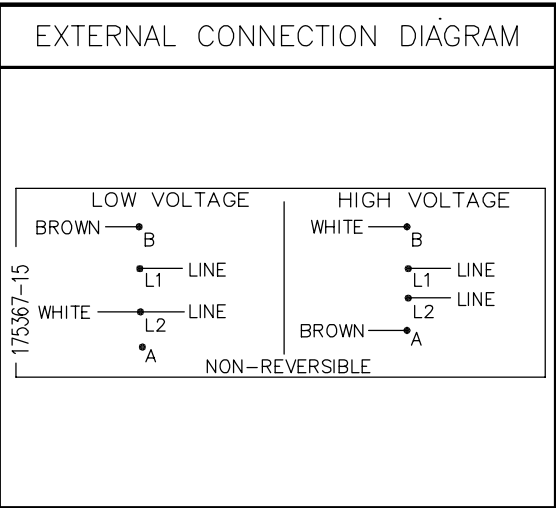
2

1

版本	ECO	编制	日期	批准	日期
E	0025530	J.M.RAMIREZ	04-25-2012	R.RASCON	04-25-2012



NAMEPLATE DATA	
MODEL: 164302	
CUST PN: B127	
HP: 3/4	SF: 1.5
ROT: CCWPE	
RPM: 3450	
TYPE: CX	CODE: J
FORM: KJM	FRAME: S56J
VOLTS: 230/115	
AMPS: SF 6.0/12.0	
MAX AMPS: -	
SF AMPS: -	
PH: 1	HZ: 60
INS: B	AMB: 50°C
DUTY: CONT	
ENCLOSURE: ODP	
THERMALLY PROTECTED	



NOTES

1. 止口直径与轴中心的同心度为.004[.10]

2. 法兰安装端面 and 轴中心的垂直度为.004[.10]

3. 轴跳动不超过.002[.05]

4. 轴向窜动不超过.010[.25]

PERFORMANCE CURVE	APPROVED SAMPLE		
16345111	-		
UL COMPONENT	CSA		
FILE#	CCN#	FILE#	GUIDE#
E14663	XZWR2	LR4642	4211-01
CUSTOMER	DISTRIBUTION		

形位公差  
 □ 平面度  
 — 直线度  
 < 倾斜度  
 ⊥ 垂直度  
 // 平行度  
 ○ 圆度  
 ⊙ 圆柱度  
 △ 面轮廓度  
 ∇ 线轮廓度  
 ↗ 圆跳动  
 ⊕ 位置度  
 ⊗ 同轴度  
 ≡ 对称度

ASME Y14.5M 1994

除另有注明  
 尺寸公差如下:  
 英寸 X XX XXX XXXX  
 毫米 ±.1 ±.02 ±.005 ±.0005  
 毫米 ±0.5 ±0.13 ±0.013  
 角度 ±.50 度  
 清理毛刺和尖棱  
 英寸 .003-.015 毫米 0.1-0.4  
 内圆角  
 英寸 .020 毫米 0.5  
 表面粗糙度  
 英制 125 米制 3.2  
 米制尺寸显示在 [ ]

绘图: PZ 09-08-2010  
 批准: SARA.H 09-08-2010  
 第三角投影  
 图格式发布日期 11-11-2011  
 图格式版本 G  
 机密: 本图纸及相关信息所有权归REGAL-BELOIT CORPORATION  
 未经REGAL-BELOIT CORPORATION书面授权, 不得泄露、  
 复制、传播或作其他用途。—版权所有

REGAL-BELOIT CORPORATION

名称: MODEL-CFHP-56FR OUTLINE

图幅: C 图号: B127

比例: NONE 页号: 1