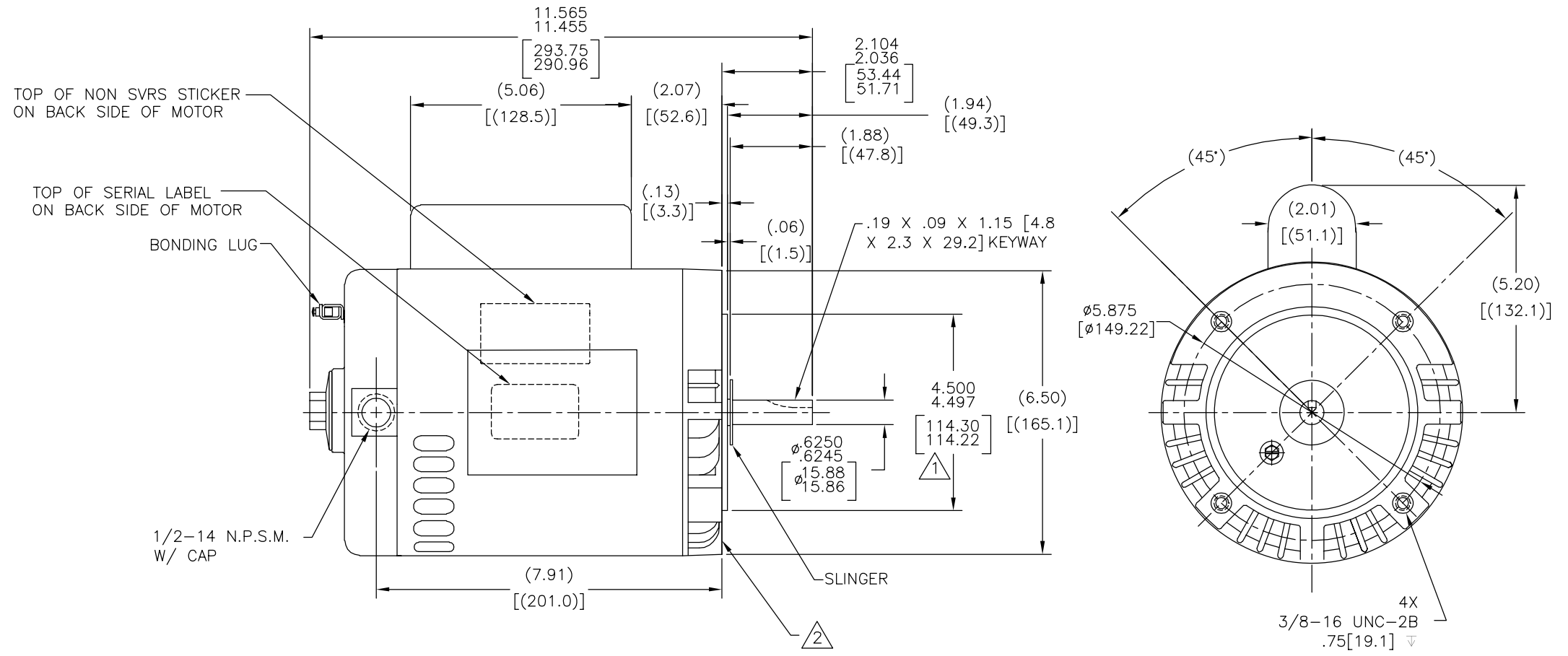


REV	ECO	REV BY	DATE	APPD	DATE
C	0025530	J.M.RAMIREZ	04-25-2012	R.RASCON	04-25-2012



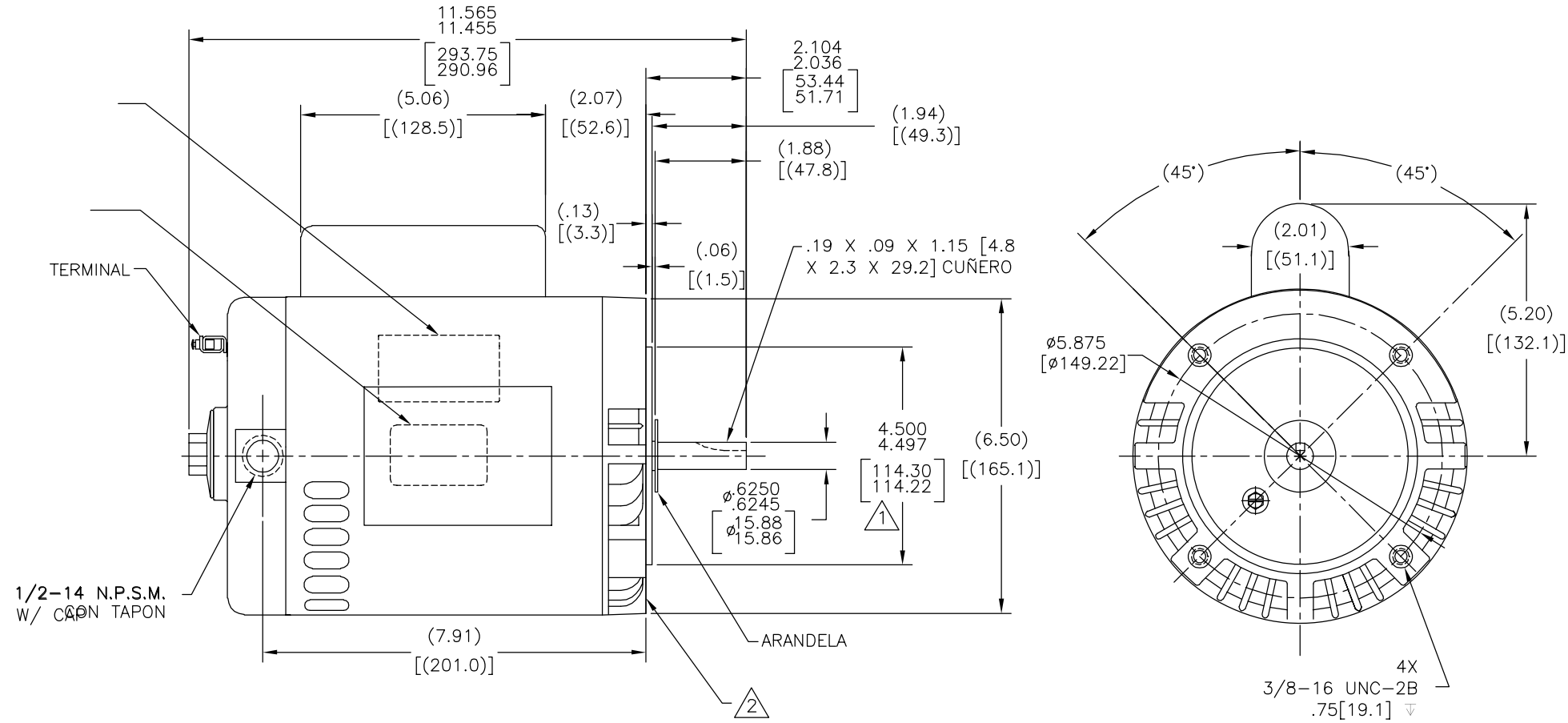
NAMEPLATE DATA	EXTERNAL CONNECTION DIAGRAM	NOTES
MODEL: 164298 CUST PN: B121 HP: 3/4 SF: 1.50 ROT: CCWPE RPM: 3450 TYPE: CX CODE: J FORM: - FRAME: S 56 C VOLTS: 230/115 AMPS: SF 6.0/12.0 MAX AMPS: - SF AMPS: - PH: 1 HZ: 60 INS: B AMB: 50°C DUTY: CONT ENCLOSURE: ODP THERMALLY PROTECTED		1. PILOT DIAMETER IS CONCENTRIC WITH SHAFT CENTERLINE WITHIN .004[.10] T.I.R. 2. FACE OF MOUNTING FLANGE IS PERPENDICULAR TO SHAFT CENTERLINE WITHIN .004[.10] T.I.R. 3. SHAFT RUNOUT NOT TO EXCEED .002[.05] T.I.R. 4. END PLAY NOT TO EXCEED .010[.25] MEASURED WITH NO THRUST 5. FINISH PAINT TO BE BLACK

PERFORMANCE CURVE	APPROVED SAMPLE	GEOMETRIC CHARACTERISTICS & SYMBOLS ▽ FLATNESS - STRAIGHTNESS < ANGLARITY ⊥ PERPENDICULARITY (SQUARENESS) // PARALLELISM ○ ROUNDNESS (CIRCULARITY) ∅ CYLINDRICITY △ PROFILE OF ANY SURFACE ∩ PROFILE OF ANY LINE ↑ RUNDOUT ⊕ TRUE POSITION ⊙ CONCENTRICITY = SYMMETRY	UNLESS OTHERWISE SPECIFIED DIM. TOLERANCES ARE AS FOLLOWS: INCH X XX XXX XXXX ±.1 ±.02 ±.005 ±.0005 mm ±0.5 ±0.13 ±0.013 ANG. ±.50 DEG REMOVE BURRS & BREAK SHARP EDGES: INCH .003-.015 mm 0.1-0.4 CORNER FILLETS TO: INCH .020 mm 0.5 MACHINE SURFACES: INCH 125 mm 3.2	DR BY: KHR 08-30-2005 APPD: JMW 02-28-2006 THIRD ANGLE PROJECTION EDS DATE 11-11-2011 FORMAT REV G	REGAL-BELOIT CORPORATION DESCRIPTION: MODEL-CFHP-56FR OUTLINE SIZE C DWG NO B121 SCALE NONE SHEET 1
16345111	-		CONFIDENTIAL: THIS DRAWING AND ITS INFORMATION ARE THE EXCLUSIVE AND CONFIDENTIAL PROPERTY OF REGAL-BELOIT CORPORATION AND ARE NOT TO BE DISCLOSED, DUPLICATED, DISTRIBUTED OR OTHERWISE USED WITHOUT THE WRITTEN CONSENT OF REGAL-BELOIT CORPORATION. -ALL RIGHTS RESERVED.		

4 3 2 1

4 3 2 1

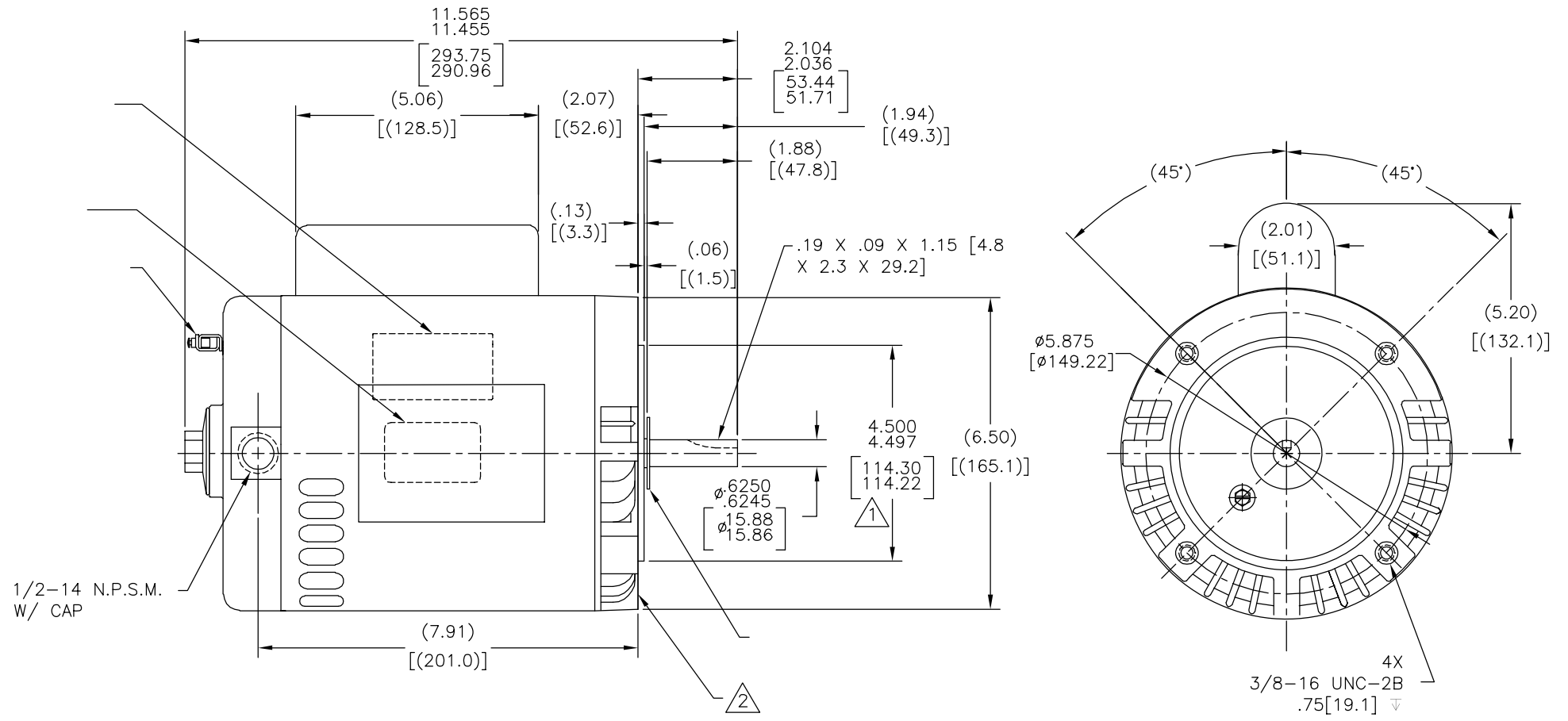
REVISION:	ECO	REVISADO POR:	J.M.RAMIREZ	FECHA:	04-25-2012	APROBADO POR:	R.RASCON	FECHA:	04-25-2012
C	0025530								



NAMEPLATE DATA	EXTERNAL CONNECTION DIAGRAM	NOTES
MODEL: 164298 CUST PN: B121 HP: 3/4 SF: 1.50 ROT: CCWPE RPM: 3450 TYPE: CX CODE: J FORM: - FRAME: S 56 C VOLTS: 230/115 AMPS: SF 6.0/12.0 MAX AMPS: - SF AMPS: - PH: 1 HZ: 60 INS: B AMB: 50°C DUTY: CONT ENCLOSURE: ODP THERMALLY PROTECTED		1. EL DIAMETRO DEL PILOTO ES CONCENTRICO A LA LINEA CENTRAL DE LA FLECHA DENTRO DE .004[.10] L.T.I. 2. LA CARA DEL REBORDE ES PERPENDICULAR A LA LINEA CENTRAL DE LA FLECHA DENTRO DE .004[.10] L.T.I. 3. LA OSCILACION DE LA FLECHA NO DEBE EXCEDER EL .002[.05] L.T.I. 4. EL JUEGO AXIAL NO DEBE EXCEDER .010[.25] AL MEDIRSE SIN CONFIABILIDAD 5. LA PINTURA DE ACABADO FINAL ES NEGRA

PERFORMANCE CURVE	APPROVED SAMPLE	CARACTERISTICAS DE GEOMETRIA Y SIMBOLOS Z PLANICIDAD - RECTITUD < ANGULARIDAD ⊥ PERPENDICULARIDAD (A ESCUADRA) // PARALELISMO ○ REDONDEZ (CIRCULARIDAD) ∅ CILINDRICIDAD ∩ PERFIL DE CUALQUIER SUPERFICIE ∩ PERFIL DE CUALQUIER LINEA ↑ VARIACION ⊕ POSICION REAL ⊙ CONCENTRICIDAD = SIMETRIA	A MENOS QUE SE ESPECIFIQUE DE OTRA MANERA, LAS TOLERANCIAS DE LAS DIMS; SON LAS SIGUIENTES: PULG ±.1 ±.02 ±.005 ±.0005 mm ±0.5 ±0.13 ±0.013 ANG. ±.50 GRADOS ELIMINAR REBABAS Y ORILLAS FILOSAS DEL BORDE. PULG .003-.015 mm 0.1-0.4 FILETEAR ESQUINA: PULG .020 mm 0.5 MAQUINAR SUPERFICIES PULG 125 mm 3.2	DIBUJADO POR: KHR	08-30-2005	REGAL-BELOIT CORPORATION DESCRIPCION: MODEL-CFHP-56FR OUTLINE TAMAÑO: C NUMERO DE DIBUJO: B121 ESCALA: NONE HOJA: 1
16345111	-			UL COMPONENT FILE# CCN# FILE# GUIDE# E14663 XZWR2 LR4642 4211-01	APROBADO POR: JMW 02-28-2006 TERCER ANGULO DE PROYECCION FECHA EDS: 11-11-2011 REV. FORMATO: G	

版本	ECO	编制	日期	批准	日期
C	0025530	J.M.RAMIREZ	04-25-2012	R.RASCON	04-25-2012



NAMEPLATE DATA	EXTERNAL CONNECTION DIAGRAM	NOTES
MODEL: 164298 CUST PN: B121 HP: 3/4 SF: 1.50 ROT: CCWPE RPM: 3450 TYPE: CX CODE: J FORM: - FRAME: S 56 C VOLTS: 230/115 AMPS: SF 6.0/12.0 MAX AMPS: - SF AMPS: - PH: 1 HZ: 60 INS: B AMB: 50°C DUTY: CONT ENCLOSURE: ODP THERMALLY PROTECTED		

PERFORMANCE CURVE	APPROVED SAMPLE	形位公差 □ 平面度 ⊥ 垂直度 ∠ 倾斜度 // 平行度 ○ 圆度 ⊙ 圆柱度 Ⓜ 面轮廓度 Ⓝ 线轮廓度 Ⓡ 圆跳动 ⊕ 位置度 ⊙ 同轴度 ≡ 对称度	除另有注明 尺寸公差如下: 英寸 X XX XXX XXXX 毫米 ±.1 ±.02 ±.005 ±.0005 毫米 ±0.5 ±0.13 ±0.013 角度 ±.50 度 清理毛刺和尖棱 英寸 .003-.015 毫米 0.1-0.4 内圆角 英寸 .020 毫米 0.5 表面粗糙度 英制 125 米制 3.2	绘图: KHR 批准: JMW 第三角投影	08-30-2005 02-28-2006 11-11-2011 G	
16345111	-		ASME Y14.5M 1994	机密: 本图纸及相关信息所有权归REGAL-BELOIT CORPORATION 未经REGAL-BELOIT CORPORATION书面授权, 不得泄露、 复制、传播或作其他用途。一版权所有	名称: MODEL-CFHP-56FR OUTLINE 图幅: C 图号: B121 比例: NONE 页号: 1	