

10" Anti-Entrapment Suction Outlet Cover and Frame

VGB Series

Product Specification Sheet

The AquaStar line of suction outlet covers, compliant with the new Virginia Graeme-Baker Pool and Spa Safety Act (ASME/ANSI A112.19.8a-2008)

Features

For single or multiple drain use
(see installation instructions)

Single

Floor: 206 GPM at 5.8 fps
Wall: 96 GPM at 2.8 fps

Dual

Floor: 206 GPM at 2.9 fps
Wall: 96 GPM at 1.4 fps

Triple system

Floor: 412 GPM at 3.9 fps
Wall: 288 GPM at 2.7 fps
Floor/wall: 157 GPM at 1.5 fps

11.2 square inch opening

#316 stainless steel screws

Manufactured from superior
UV-resistant engineered polymers

Meets or exceeds NSF 50/ASME/ANSI
A112.19.8a-2008 national standards
and ASTM G154 UV testing

Listed with IAPMO R&T

25 per case



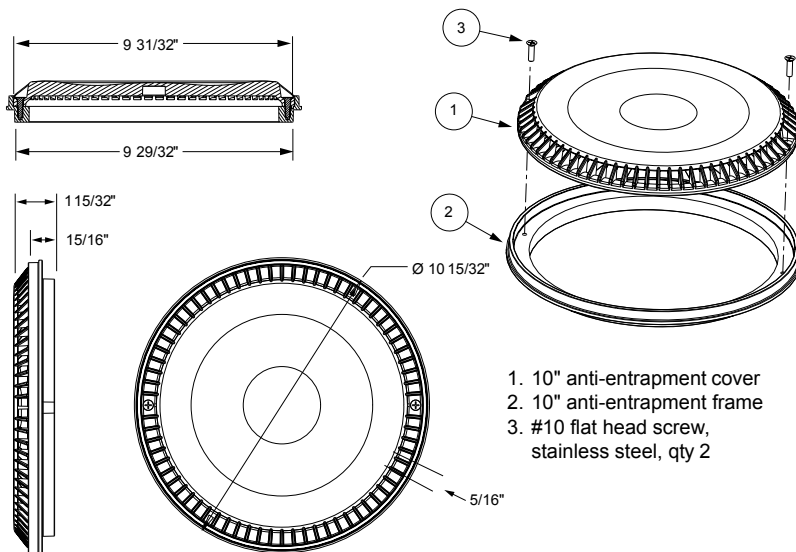
Model # 10AVxxx

Also fits: 10" Waterway and Color Match

Part Numbers / Colors

- 10AV101 White
- 10AV102 Black
- 10AV103 Lt. Gray
- 10AV104 Blue
- 10AV105 Dk. Gray
- 10AV106 Bone
- 10AV107 Taupe
- 10AV108 Tan

**VGB 2008
Compliant**



1. 10" anti-entrapment cover
2. 10" anti-entrapment frame
3. #10 flat head screw, stainless steel, qty 2