



Above Ground Pool Gate



INSTALLATION MANUAL

Installing the Gate

STEP 1: Gate Mounting Bracket

Slide supports into mounting base (DIAGRAM 1). Screw two #8 x $\frac{3}{4}$ " screws into both sides of each support, attaching it to the mounting base.

The support should be inserted flush to the backside of the mounting base.

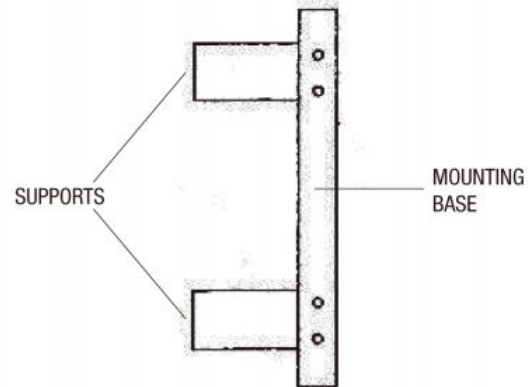


DIAGRAM 1

STEP 2: Location

Determine the location of the gate. The maximum width is 38". You may be required to install an artificial upright.

For more information, please refer to Step 2-B: Artificial Upright.

STEP 3: Mounting Brackets

Install gate mounting brackets to each designated upright. If the Pureline Above Ground Fence is already installed, remove one end post and support post and replace with a gate mounting bracket and the gate post.

If the fence isn't installed, follow step 2-A for installing mounting brackets using four #12 x 1" screws.

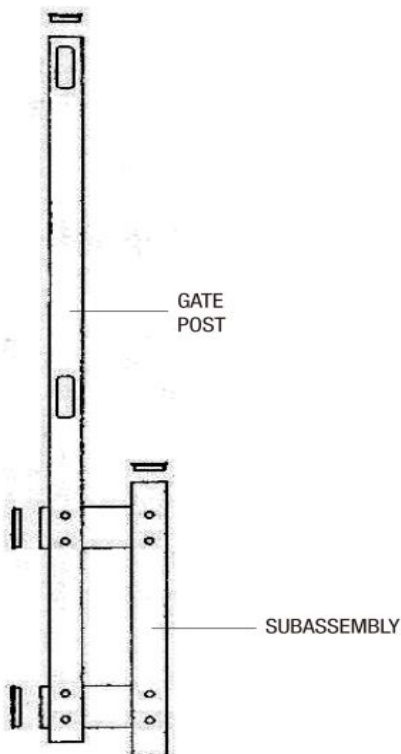


DIAGRAM 2

STEP 4: Gate Post

Install gate posts (DIAGRAM 2). Slide gate posts onto gate mounting brackets. Allow at least $\frac{1}{2}$ " between the post and the pool's top cap. This allows for an easy winter cover installation.

Attach gate post to gate mounting bracket using eight #8 x $\frac{3}{4}$ " screws.

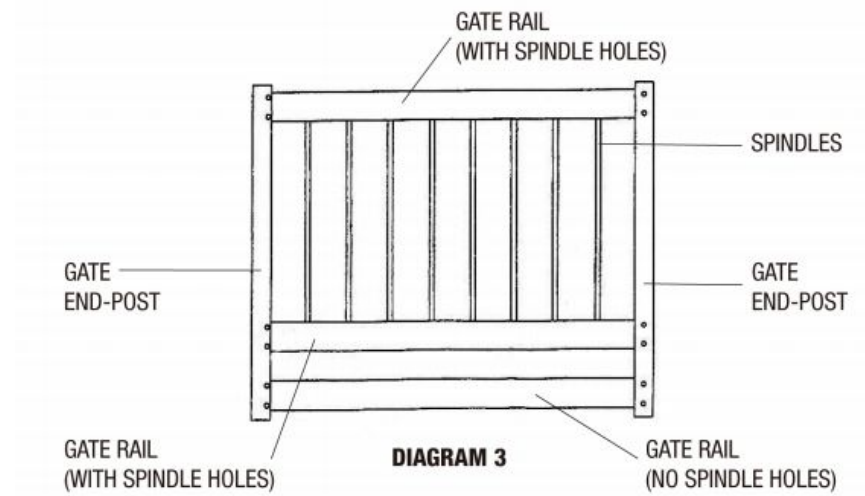
STEP 5: Gate Construction

Measure the distance between the gate support post and subtract $\frac{1}{2}$ ". Cut the gate rails to this measurement.

Note: Cut equal amounts off each end of the rail to ensure balanced spacing of spindles.

Install gate rails and spindles (DIAGRAM 3) but do not attach with screws yet. Measure the width of the gate to be sure the gate will fit between gate support posts (DIAGRAM 4) and that the gate is perfectly square.

Attach gate rails to gate end-posts using two #8 x $\frac{3}{4}$ " screws per attachment point.



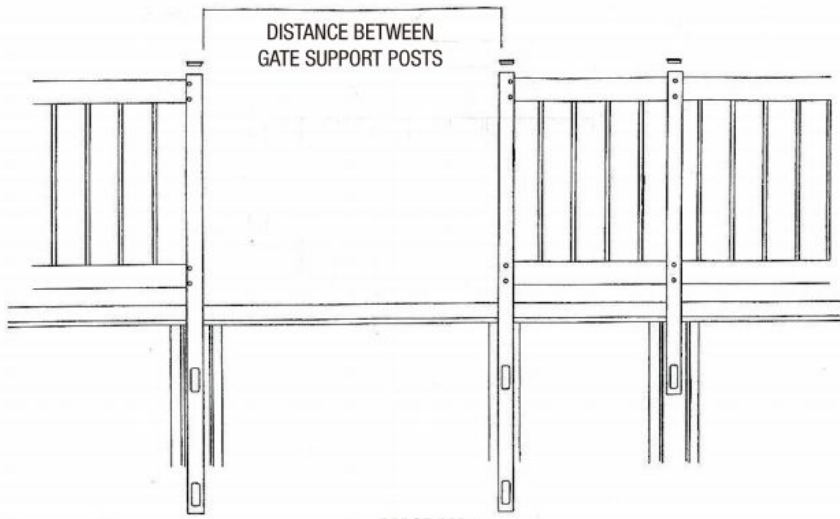


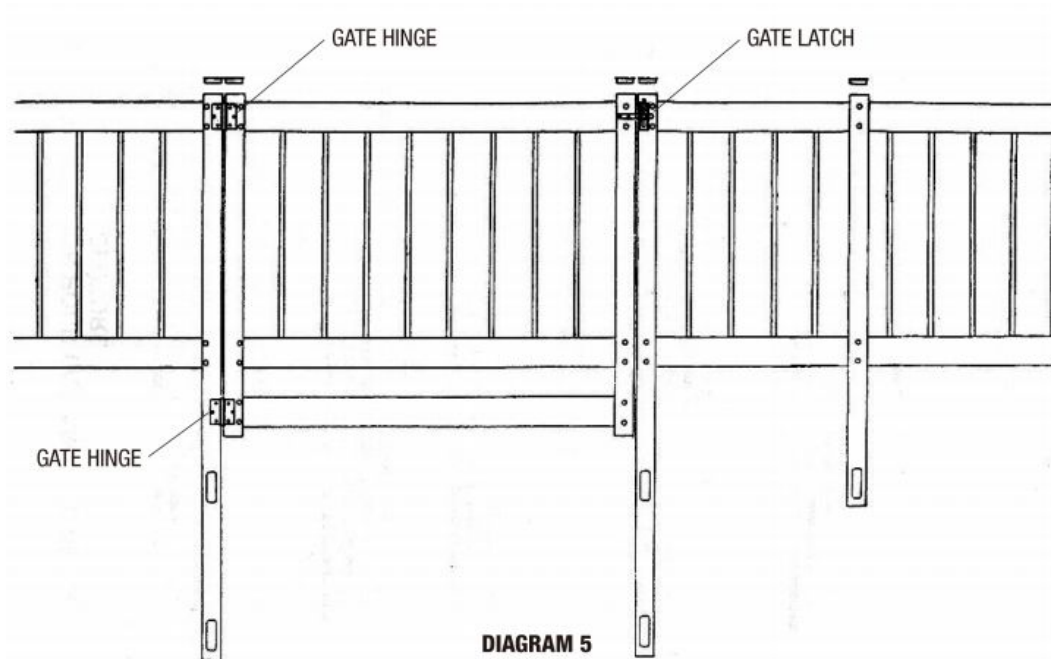
DIAGRAM 4

STEP 6: Hinges and Latches

Next, install the gate hinges and latches (DIAGRAM 5). The gate should always open away from the pool. Gate swing can be determined by the location of the hinges.

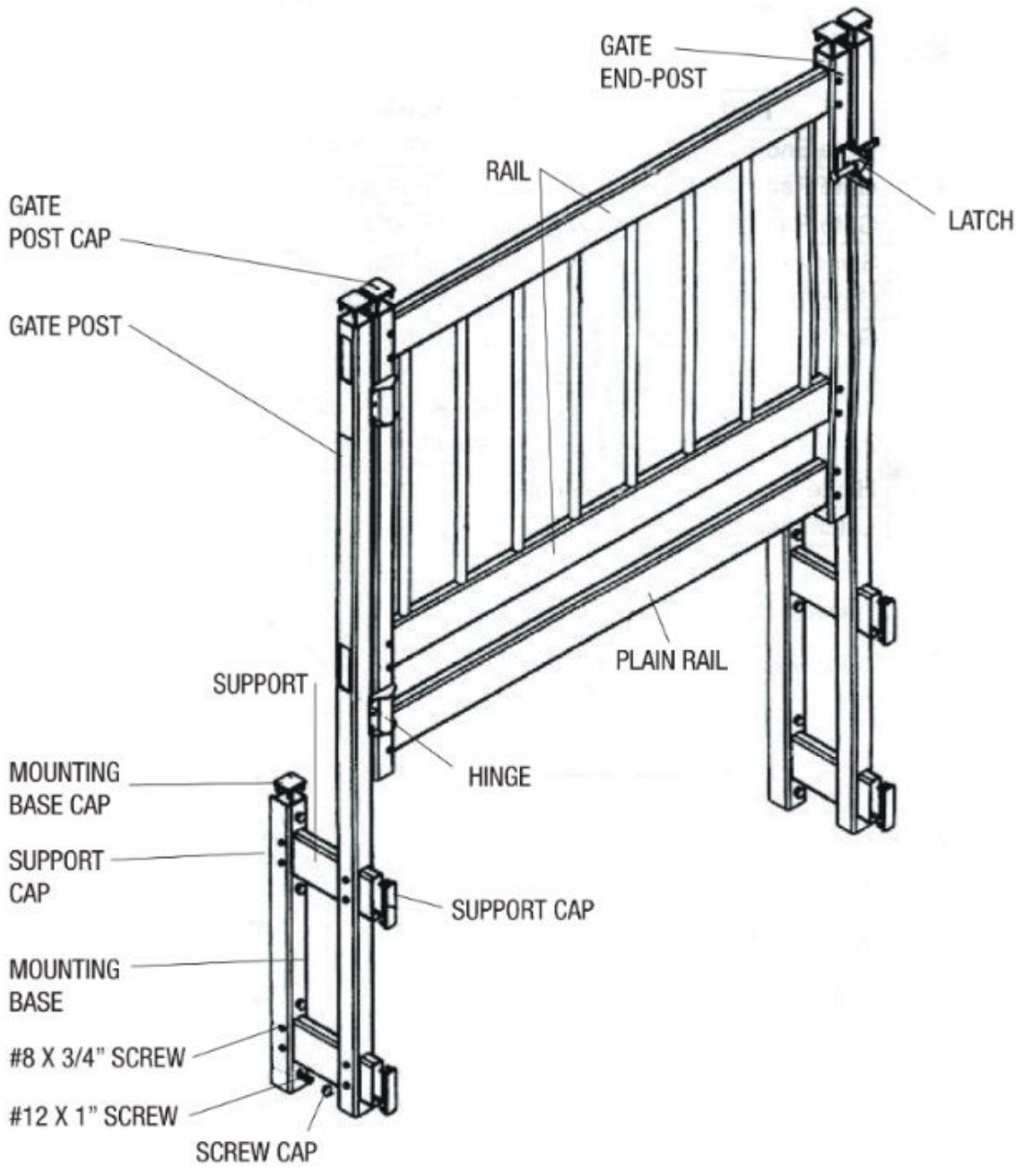
First, attach hinges to gate end-post (left hand/right-hand swing). Then, attach gate assembly to gate post. Check to make sure it is flush on top and swings freely.

Finally, install the latch assembly.



STEP 7: Caps

Install all caps. If necessary, use an adhesive such as Liquid Nails to hold caps in place.



Gate Parts List		
PART	DESCRIPTION	QUANTITY
Gate End-Post	1-1/2" x 1-1/2" x 32-3/8" long	2
Gate Rail (drilled)	7/8" x 3-1/8" x 37-3/4" long	2
Gate Rail (plain)	7/8" x 3-1/8" x 37-3/4" long	1
Spindles	5/8" O.D. x 22-3/8" long	8
Gate Post	1-1/2" x 1-1/2" x 55" long	2
Gate Support Base	Support Base Mold x 20" long	2
Support	7/8" x 3-1/8" x 7-1/2" long	4
Hardware Kit	Base Kit Hardware Pack	1
Trim Kit	Add-on Trim Kit	1
Hinge	Stanley Hinge Kit	2
Latch Mechanism		