



Above Ground Pool Fencing



**INSTALLATION AND
USER GUIDE**

READ AND FOLLOW ALL INSTRUCTIONS

ATTENTION INSTALLER: This manual contains essential information about the installation and safe use of this above ground pool fence. Please remember to furnish this manual and all other instructional documents to the end user of this product.

Layers of protection, such as a fence, wall, or natural barrier around your pool, can help reduce unauthorized use. Make sure that the pool entrance has a self-closing and self-latching gate and that it is properly maintained. Check with your local building codes to be sure you are in compliance with local fencing laws.

The PureLine Above Ground Pool Fence meets the ANSI/NSPI barrier code for above ground swimming pools. This fence was not designed to be a handrail for decking and does not meet handrail code.

Preparing Your Pool

1. Inspect your pool area for irregularities that may interfere with the location of the fencing mounting brackets and posts.
2. Locate your skimmer and ensure it will not interfere with the fence.
3. In preparation for the installation, we recommend:
 - Cordless or power drill with a Phillips head screwdriver,
 - Saw
 - Pencil
 - Measuring tape.

Installation

STEP 1- Mounting Bracket

Construct mounting brackets. Slide support into the mounting base (DIAGRAM 1-A).

Screw two #8 screws into each side of the support, attaching it to the mounting base (DIAGRAM 1-B). Support should be inserted to the backside of the mounting base.

DIAGRAM 1-A

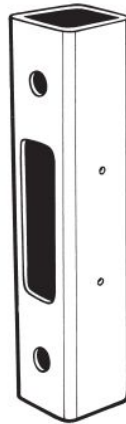
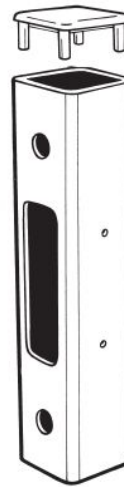


DIAGRAM 1-B

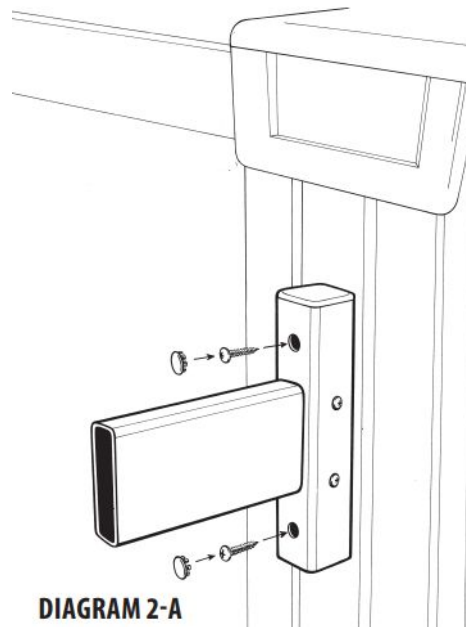


STEP 2-A: Mounting Bracket

Install mounting bracket to each upright. (DIAGRAM 2-A). When installing your fence, it is important that there is no more than a 4" gap between the pool's top rail and the bottom rail of the fence.

To determine the location of the mounting bracket, line up the bracket with a fence post attached and measure the gap between the pool's top rail and the bottom rail hole in the post.

(Slide post onto mounting bracket but do not permanently attach it.) Anywhere between a 0 and 4" gap is acceptable. Once you determine the location, remove the post and attach the mounting bracket to the upright using two #12 x 1" self-tapping screws.



Once installed, measure the exact distance from the bottom of the top rail to the mounting bracket. Use that same measurement to determine the location of remaining mounting brackets. It is important to take an accurate measurement, as the levelness of the fence is determined by the location of the mounting brackets.

STEP 2-B: Artificial Upright

Requires one 4 x 4 wooden post and one 2" sheet metal screw. Position the ladder next to a pool upright so it can hold the fence on one side. Determine the location for the 'artificial upright' and dig a hole approximately 6" into the ground.

Measure from the bottom of the hole to the top of the pool and cut the 4 x 4 post to fit the span. Place the 4 x 4 post into the ground so it fits snug to the pool wall.

Attach the 4 x 4 to the pool structure by using one 2" sheet metal screw. Screw down through the top rail into the 4 x 4 wooden post. Fill in around the hole with the remaining dirt. Continue by mounting support brackets to the wooden post using instructions (DIAGRAM 2-A).

Note: Be sure that the pool entrance has a self-closing and self-latching gate.

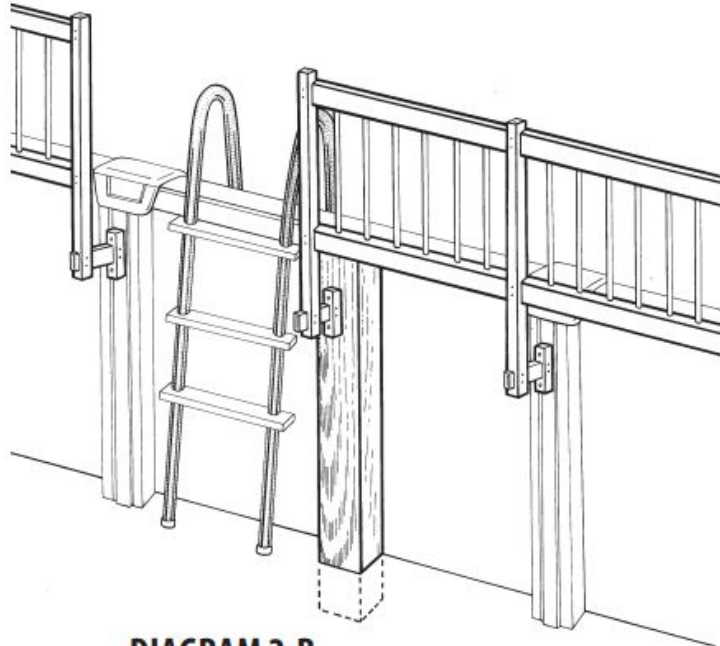


DIAGRAM 2-B

STEP 3: Fence Posts

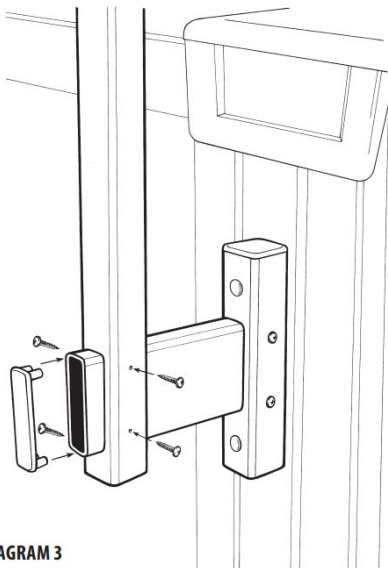


DIAGRAM 3

Install fence posts (DIAGRAM 3). Start by installing the two fence end-posts first. The end-posts are identifiable by having rail holes only on one side. Fence end-posts must be installed where the fence will start and stop.

Slide fence end-post onto the mounting bracket. Allow at least 1/2" between the post and the pool's top cap.

This allows for easy installation of your winter cover. Attach the fence post to the mounting bracket using four #8 screws.

Continue by mounting the remaining fence posts to the mounting brackets.

STEP 4: Bottom Horizontal Rail

Next, measure the distance between two fence posts and add one inch (DIAGRAM 4-A). Each side of the bottom rail should extend $\frac{1}{2}$ " into each fence post. Cut the bottom rail to this measurement.

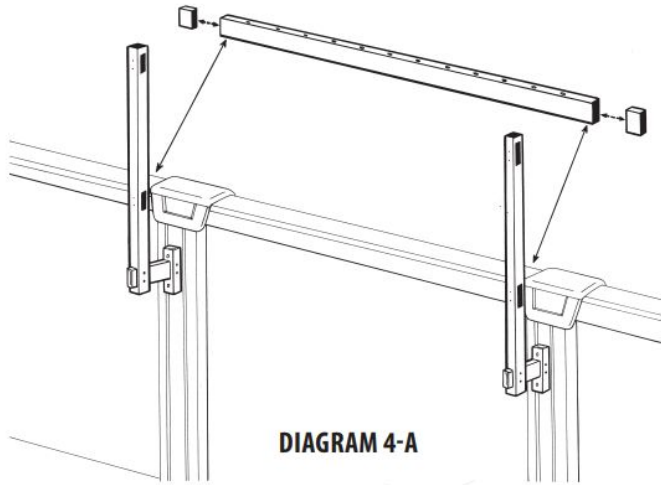


DIAGRAM 4-A

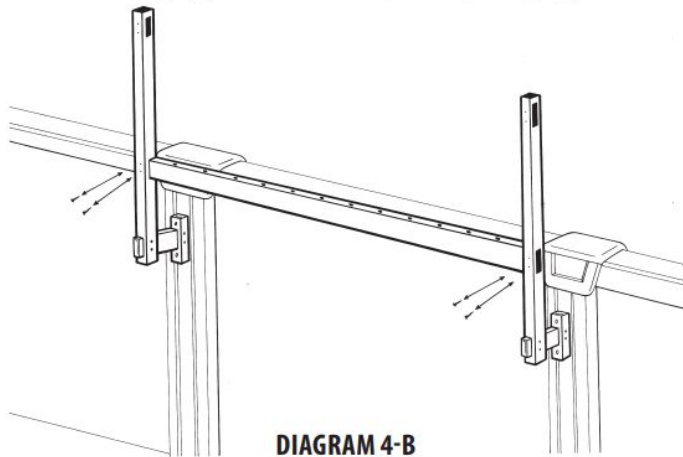


DIAGRAM 4-B

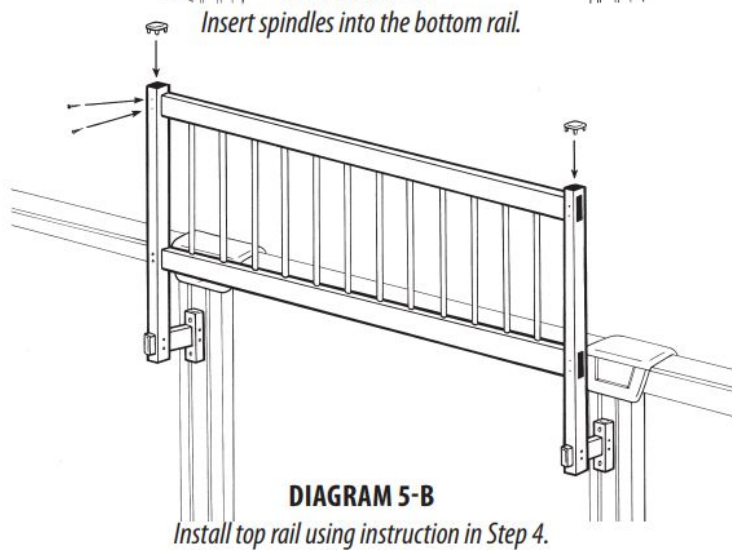
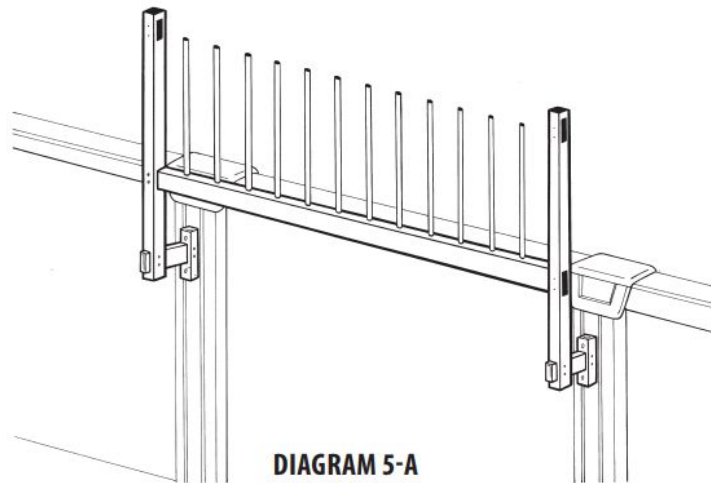
Note: Cut equal amounts off each end of the rail to ensure a balanced spacing of spindles. **DO NOT INSTALL TOP RAIL YET!**

Attach the bottom rail to post using two #8 screws (DIAGRAM 4-B).

Do not cut more than one rail at a time. Distance between pool uprights may vary.

Continue by cutting and installing remaining bottom rails.

STEP 5



STEP 6: Caps

Insert all caps. If necessary, use an adhesive such as Liquid Nails to hold the caps in place.

STEP 7: Security

Check to be sure that the installation is secure by lightly shaking each section to be sure screws were properly installed.



SUPPORT CAP



BASE SUPPORT CAP



POST CAP



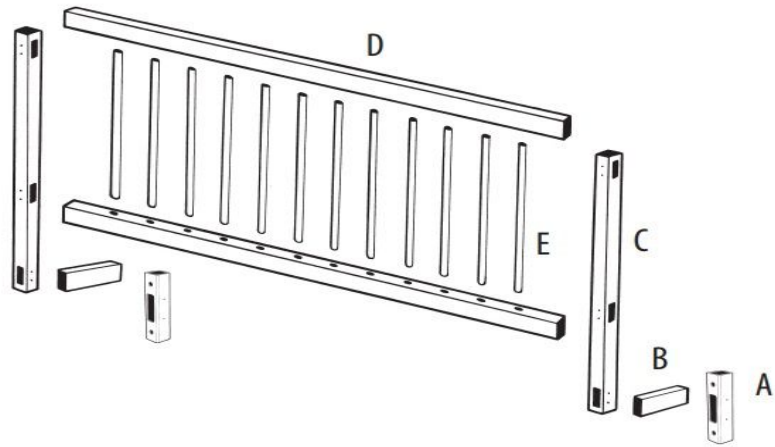
#12 X 1" SCREW



#8 X 3/4" SCREW



HOLE PLUG



BASE KIT "A" - 8 SECTIONS:		
ITEM	DESCRIPTION	QUANTITY
	End-Posts	2
A	Support Assembly - Base	9
B	Support Assembly - Support	9
C	Posts	7
D	Rail	16
E	Spindles	96
Trim Kit	(1) Post Cap, (1) Base Support Cap, (1) Support Cap, (2) Hole Plugs	9 bags
Hardware Kit	(18) #12 x 1" Screws, (136) #8 x 3/4" Screws	1 bag

BASE KIT "B" - 8 SECTIONS:		
ITEM	DESCRIPTION	QUANTITY
A	Support Assembly - Base	3
B	Support Assembly - Support	3
C	Posts	3
D	Rail	6
E	Spindles	36
Trim Kit	(1) Post Cap, (1) Base Support Cap, (1) Support Cap, (2) Hole Plugs	3 bags
Add-on Hardware Kit - B	(6) #12 x 1" Screws, (48) #8 x 3/4" Screws	3 bags

BASE KIT "A" - 8 SECTIONS:		
ITEM	DESCRIPTION	QUANTITY
A	Support Assembly - Base	2
B	Support Assembly - Support	2
C	Posts	2
D	Rail	4
E	Spindles	24
Trim Kit	(1) Post Cap, (1) Base Support Cap, (1) Support Cap, (2) Hole Plugs	2 bags
Add-on Hardware Kit - C	(4) #12 x 1" Screws, (32) #8 x 3/4" Screws	2 bags

Above Ground Pool Fencing Warranty: 5 YEARS/ 1 FULL

1. The manufacturer warrants to the original purchaser of the Pureline Above Ground Pool Fence, that Pureline, at its option, will repair or replace any component, which proves defective either in workmanship or material, within the first (1) year of purchase. The pro-rated basis for fence replacement is as follows
 - The customer shall pay the list price at the date of claim, less 1/60 of the prices for each full month remaining in the warranty period. Freight charges for repairs or replacements are paid by the consumer
2. Above Ground Pool Fence which has been improperly installed, altered, abused, subject to accident or used improperly, is specifically excluded from this warranty.
3. Under no conditions will Pureline be responsible for the cost of freight or labor to replace fence or cost of labor or any damages resulting from faulty installation.
4. The customer has sole responsibility for periodically inspecting the product and reporting defects or failures.
5. The supplier does not want to create a false sense of security. An above ground pool fence is not intended to substitute for proper adult supervision. It is not a guarantee against access to the pool.

Although warranties are limited to the five-year period after the original sale's date, some states and/or provinces do not allow limitations on the length of an implied warranty. There, the above may not apply in such states. Any claimant under the warranty has specific legal rights and the provisions in the warranty are neither a modification nor subtraction. Rather, an addition to the statutory warranties and other rights and remedies contained in the applicable state legislation.

The supplier will not be liable for any incidental or consequential damages resulting from any defects in workmanship or material. Some states and or provinces do not allow the exclusion or limitation of incidental or consequential damages, therefore, the foregoing limitation or exclusion may not apply.

For warranty, installation, and product use information on your Above Ground Pool Fence, please contact the supplier at, 407-834-2200.

IF YOU WISH TO MAKE A CLAIM, CALL 407-834-2200