

# 10" Round Star Sumpless Suction Outlet Cover, Universal Adapter Kit and Mud Frame

## VGB Series

The AquaStar line of suction outlet covers, compliant with the new Virginia Graeme-Baker Pool and Spa Safety Act (ANSI/APSP 16-2011 and NSF 50-2008)

### Features

For single or multiple drain use (see installation instructions)

Single – Sumpless:

Floor: 170 GPM at 1.7 fps

Wall: 164 GPM at 1.7 fps

Floor/Wall:

147.3 GPM at 1.5 fps

31.5 square inch opening

For retrofit or new construction!

Available with mud frame for new construction or with universal adapter frame to retrofit all existing frames/sumps up to 10" round

Trademarked VGB compliance button easily identifies VGB 2008 compliance from pool/spa deck

Manufactured from superior UV-resistant engineered polymer

All components (cover, adapter plate, frame, screws) meet or exceed ANSI/APSP 16-2011 and NSF 50-2008 national standards and ASTM G154 UV testing exposure

Listed with IAPMO R&T

#316 stainless steel screws

12 per case

**NEW** No sump required!  
Retrofits over all sumps/frames up to 10" using included plastic concrete anchors



Part # A10RCFRxxx

### STANDARD COLORS

101 105

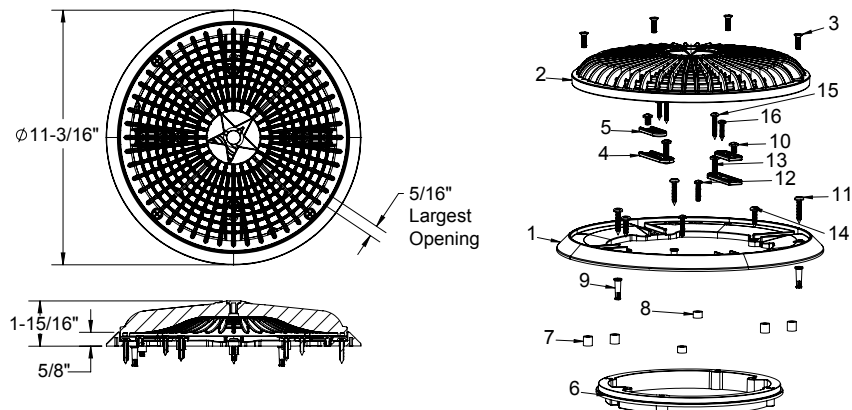
102 108

103

### OPTIONAL COLORS

104 107

106



1. 10" universal adapter frame
2. 10" round suction outlet drain
3. 10-32 x 5/8" lg. Flat head phillips, 316 ss
4. Adjustable slide, long
5. Adjustable slide, short
6. 8" super low profile round frame
7. 3/8" bushing
8. 1/4" bushing

9. 1/4" concrete anchor
10. 10-32 x 5/16" lg. pan head phillips, 316 ss
11. #10 x 1" lg. pan head phillips, 316 ss
12. 8-32 x 3/4" lg. pan head phillips, 316 ss
13. 10-24 x 7/8" lg. pan head phillips, 316 ss
14. #10 x 3/4" pan head phillips, 316 ss
15. #8 x 1" lg. pan head phillips, 316 ss
16. #8 x 3/4" lg. pan head phillips, 316 ss

VGB 2008 Compliant