



TriStar® VS 2.7 HP

»»» Variable-Speed Pump

SIMPLE INSTALLATION WITH QUIETER-THAN-EVER PERFORMANCE

No-rib strainer basket with see-through cover ensures easy debris removal

Upgraded motor drive delivers 30% quieter high-speed operation than other models

Advanced hydraulic design provides ample power to replace most high-performance pumps up to 3 HP



Wall-mountable touchpad control can be rotated in four directions

Side and rear conduit entry accommodate both high and low voltage connections for simple installation

Permanent magnet, totally enclosed fan-cooled motor offers more efficient operation and long-lasting reliability



INDUSTRY-LEADING ENERGY EFFICIENCY

As a member of the TriStar VS family—the most energy-efficient pumps in their class—TriStar VS 2.7 HP saves pool owners up to \$1,500 per year. Its ENERGY STAR rating means local energy rebates may apply, too.

DESIGNED FOR DURABILITY

TriStar VS is built to offer years of reliable performance.

SEAMLESS RETROFITTING

With dual-voltage capabilities, two pump base options and 2" x 2½" CPVC union connections, TriStar VS 2.7 HP is easy to install in both new and existing pool pads and doesn't require costly rewiring.

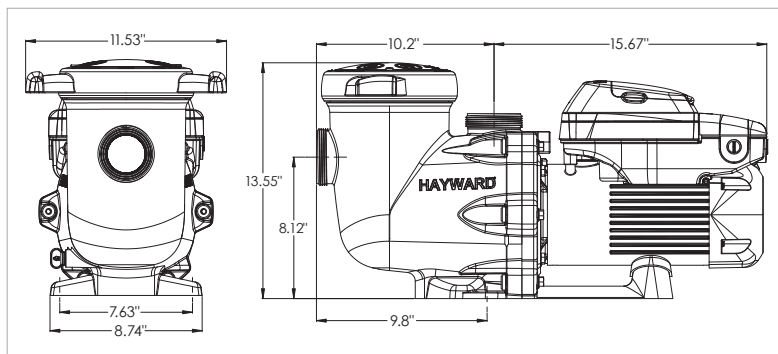


SPECIFICATIONS

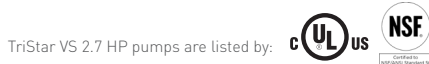
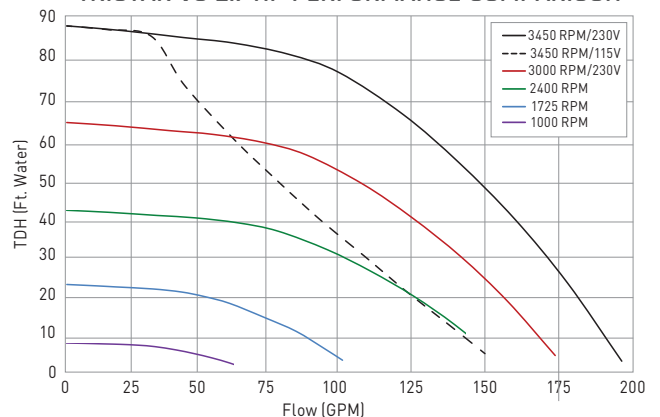
MODEL NUMBER	TOTAL HP	VOLTAGE	WEIGHTED ENERGY FACTOR (WEF)*	UNION CONNECTIONS	WARRANTY
W3SP3206VSP	2.7	115V/230V	10.1/7.3	2" x 2.5"	1 year

*The higher the weighted energy factor (WEF), the more efficient the pump. Visit hayward.com/regulations for more information.

TRISTAR VS 2.7 HP DIMENSIONS (INCHES)



TRISTAR VS 2.7 HP PERFORMANCE COMPARISON



» hayward.com » 1-888-HAYWARD | Pumps » Filters » Heating » Cleaners » Sanitization » Automation » Lighting » Water Features » White Goods

Hayward, Hayward & Design, the H logo and TriStar are registered trademarks of Hayward Industries, Inc. ENERGY STAR is a registered mark owned by the U.S. government. All other trademarks not owned by Hayward are the property of their respective owners. Hayward is not in any way affiliated with or endorsed by those third parties. © 2020 Hayward Industries, Inc.