

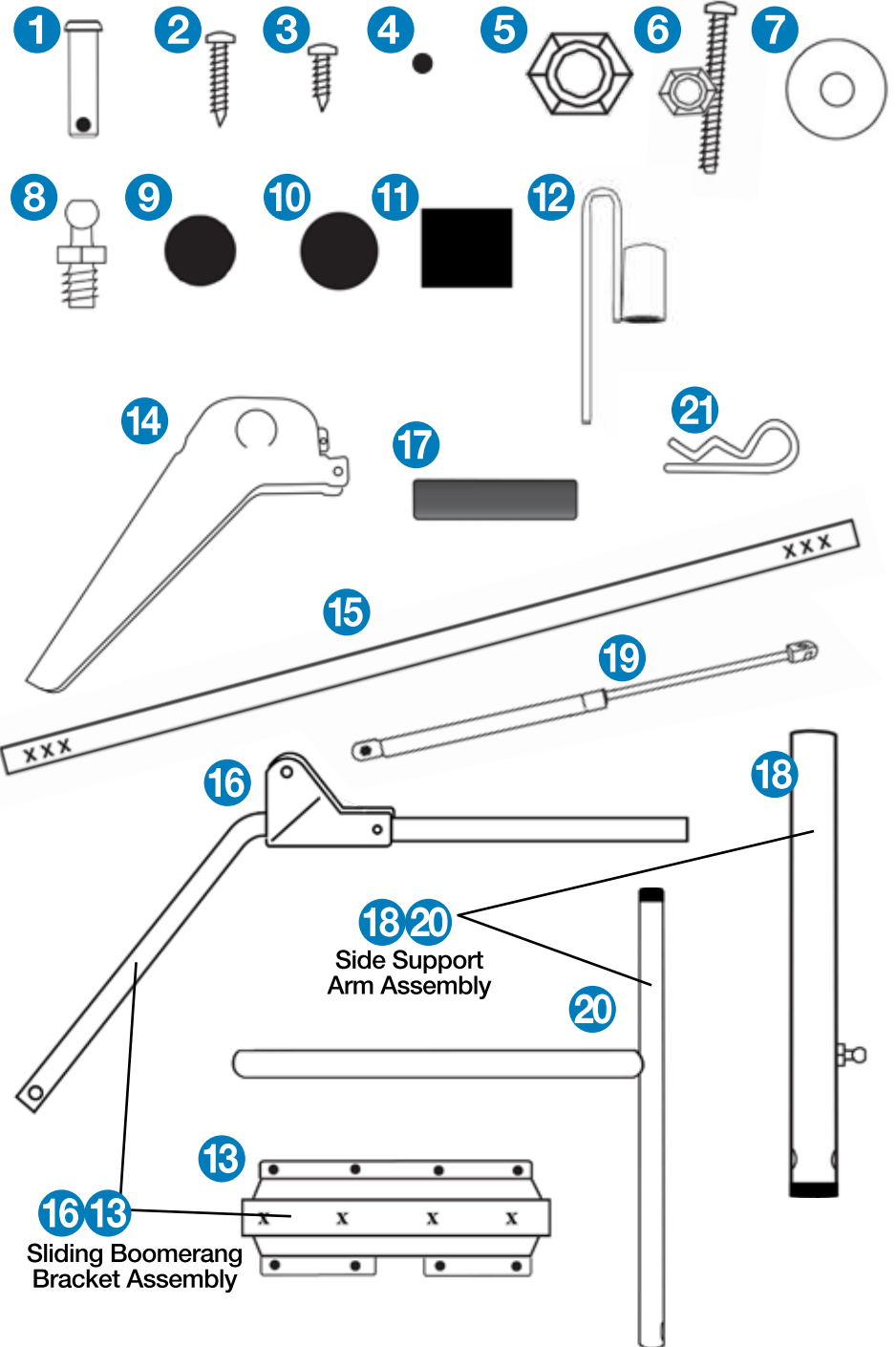
How to install your Visionlift Boomerang Cover Lifter



This is your step by step guide to installing the Visionlift Boomerang Cover Lifter on to your hot tub or spa. Begin by opening the box your cover lifter came in and check the contents against the installation guide to ensure you have all the components required.

PARTS LIST:

- 1 2X Bolt Pins
- 2 16X No.10 - 1 ¼ inch Cross Slot or Phillips Wood Screws
- 3 20X No.10 - 5/8 inch Cross Slot or Phillips Self-Tapping Screws
- 4 38X Black Plastic Screw Head Caps
- 5 2X 5/16 inch NYLON Lock Nuts
- 6 2X 10-24 2.5 inch Machine Screws and 2X 10-24 Lock Nuts
- 7 4X NYLON Washers
- 8 2X Ball Stud Bolts
- 9 2X Round Black Plastic Caps (Each 1 1/8 Inches)
- 10 2X Round Black Plastic Caps (Each 1 1/4 Inches)
- 11 2X Square Black Plastic Caps (Each 1 1/4 Inches)
- 12 2X Cover Hooks
- 13 2X Mounting Bracket Assemblies
- 14 2X Boomerang Cover
- 15 1X Center Pole
- 16 2X Sliding Boomerang Brackets
- 17 2X Foam Grips
- 18 2X Round Pivot Arms with Ball Studs
- 19 2X Hydraulic Arms
- 20 2X Side Support Arms
- 21 2X Clevis (Cotter) Pins



TOOLS LIST:

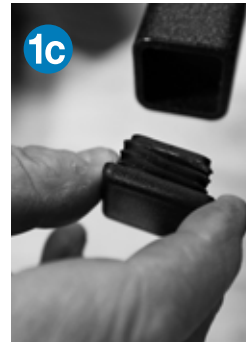
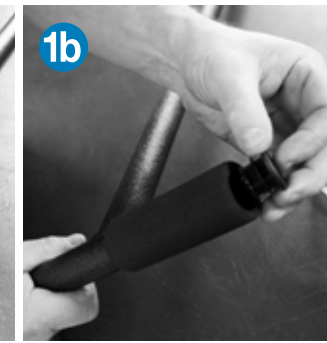
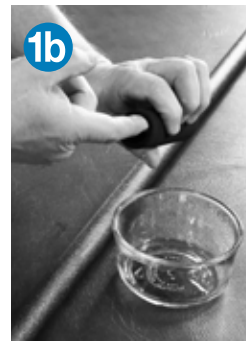
- 6 Foot Tape Measure
- Ratchet Wrench
- 5/16" Socket Bit
- 5/16" Open End Wrench
- Cordless Power Screwdriver or drill
- A number of Cross Slot or Phillips screw driver bits.
- Needle Nose Pliers
- Small Flat Head Screwdriver

To view the easy to follow Installation Video that pertains to this Cover Lifter, please go to:
www.ultrapoolandspa.com/videos

**Now you are set to start
the install of your new
Cover Lifter...**

Step One:

- 1a) Place your hot tub cover squarely on the hot tub and in the position you would like it to open and close. We recommend that you have your cover open from the topside control panel end (which is the equipment pack end of the hot tub). This ensures that you are not mounting brackets to doors or panels that may need to be removed to access heater and pumps.
- 1b) Next install the foam grips onto the Side Support Arms **20**, first lubricating the interior of the Foam Grips **17** with a dab of dish soap making it easier to slide into place. Then insert the Round Cap **9** at the end of each foam grip.
- 1c) Then insert the square caps onto the Sliding Boomerang Brackets **16** and the round caps onto bottom of the Round Pivot Arms **18**. (The end with the ball stud)
- 1d) Install Ball Studs into the tail end of the Sliding Boomerang Brackets **16**. Mount the Ball Stud Bolts **8** using your ratchet wrench and the 5/16 inch Nylon Lock Nuts **5**. When the Sliding Boomerang Brackets **16** are placed into the Mounting Bracket Assemblies **13** with the Ball Studs facing toward the hot tub on each side.



Step Two:

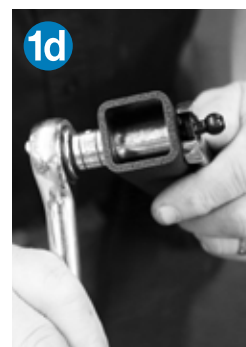
To determine the position of the mounting bracket.

- 2a) Start by measuring the width of the hot tub/spa cover and be sure to measure across the fold and not along the fold of the cover.
- 2b) Then measure the cover at its thickest point, the middle of the cover.
- 2c) Refer to the measurement chart (provided in this Installation Manual) and locate the row that shows the width of your cover on the left side of the chart. Look across that row of the chart to the column that indicates your cover thickness and where they intersect. The number indicated is the distance that the Hole (pivot point) on the Sliding Boomerang Bracket **16** has to be installed away from the back of the hot tub/spa.

Please Note: If the number you measure lands between the numbers indicated on the chart always round up to the next number on the chart when this occurs.

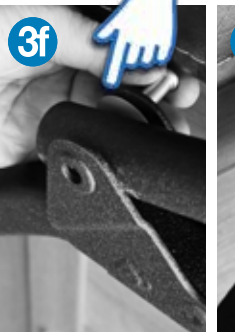
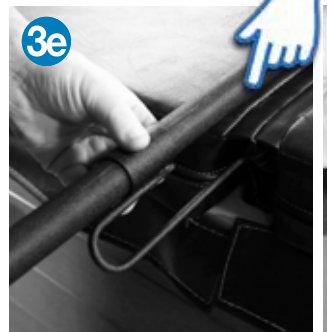
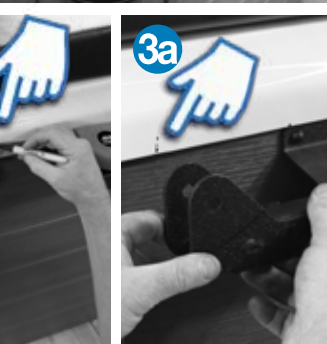
- 2d) Now using the Center Pole **15** as a straight edge on the back edge of the spa, measure forward on to the cabinet the distance you found on the chart and clearly mark that spot.

Remember: This can be tricky so please measure twice and install once.



Step Three:

- 3a) Slide the Sliding Boomerang Brackets **16** into the Mounting Bracket **13**. Then place the Mounting Bracket **13** just under the edge of the acrylic shell and position the Sliding Boomerang Brackets **16** so that the hole lines up with the mark you made on the hot tub (Step 2d).
 - 3b) Then holding the Sliding Boomerang Brackets **16** in place move the Mounting Bracket **13** till it is centered on the Sliding Boomerang Bracket. Mark the Mounting Brackets position on the cabinet.
 - 3c) Then using the supplied 1 1/4 inch No.10 Wood Screws **2** mount the bracket assembly to the cabinet. Repeat the same process on the opposite side.
 - 3d) Then secure the Sliding Boomerang Brackets **16** using the 5/8 inch Cross Slot or Phillips Self-Tapping Screws **3** there are 4 screw holes on each bracket to secure the arms.
- Tip: Double check to ensure the Ball Stud Bolts **8** on the Sliding Boomerang Brackets **16** are facing toward the hot tub cabinet.**
- 3e) With the Cover still closed on the hot tub, place the Center Pole **15** in the middle of the cover alongside the seam. Add the Cover Hooks **12** (Facing into the spa) on the upper arms of the Side Support Arms **20**. Then slide the longer side of each Support Arm into the Center Pole making sure the that the cover hook slides under the center seam fully. Repeat on the other side.
 - 3f) Place the Round Pivot Arm **18** with Ball Stud over the Side Support Arm **20** so that the Ball Stud on the Pivot Arm faces the side of the hot tub. Then align the hole at the end of the Pivot Arm with the hole in the Sliding Boomerang Bracket **16**.
 - 3g) Now position the Nylon Washers **7** on either side of the Round Pivot Arm and Sliding Boomerang Bracket. Then secure them into place by sliding through the Bolt Pin **1** and secure that pin into place using the Clevis Pin **21**. Repeat this step on the opposite side of the hot tub.
- Tip:** Use the Needle Nose Pliers when applying the Clevis Pin **21** to the Bolt Pin **1** and Side Support Arm Assembly **18/20**.



Step Four:

- 4a) Once this is complete check to make sure that the Center Pole **15** that crosses over the cover is 1 inch back of the center folding seam on the lifter side and that the Round Pivot Arms **18** are 1.5 inches out from the cabinet on both sides of the spa.
- 4b) Then rotate the Center Pole **15** so that the screw holes are facing the back of the tub on the side of the bar and not on top facing down.
- 4c) Place a protective layer of card board under the Center Pole **15**, then secure the Center Pole to the Side Support Arm **20** using three No.10 5/8" inch Self-Tapping Screws **3**. Then secure the Round Pivot Arms **18** to the Side Support Arms **20** on the sides of the hot tub using the same No.10 5/8 inch Self-Tapping Screws **3**. (Always checking that the center pole is 1" back of the seam and the Round Pivot Arms **18** are 1.5" away from the tub).

Step Five:

- 5a) Now slide the spring loaded end piece of the Hydraulic Arm **19** over the Ball Stud on the Sliding Boomerang Bracket Assembly **16 13**.
 - 5b) Then fold back the cover and lift the cover using the Side Support Arm **20** until the other end of the Hydraulic Arm **19** lines up with the Ball Stud on the Sliding Boomerang Bracket **16** and snap the two together. Repeat this on the other side of the hot tub.
 - 5c) Now with the spa cover open place the Boomerang Cover **14** as shown (Dimple facing away from the spa) and attach it to the Sliding Boomerang Bracket Assembly **16 13** using the 10-24 2.5 inch Machine Screws and 10-24 Lock Nuts **6**.
- Tip:** If you ever need to remove the Hydraulic Arm **19** gently pry the half circle collar to release the spring from the Ball Stud.

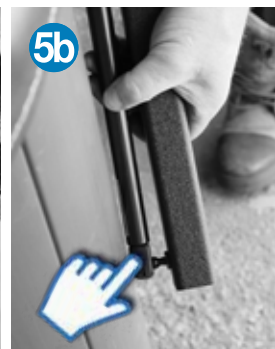
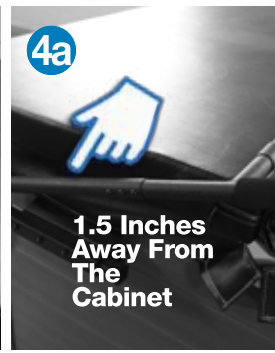
Step Six:

You are almost there... Cover the Self-Tapping Screws **3** and Wood Screws **2** with the Black Plastic Caps **4** that snap over the heads of each screw.

Tip: Use a Small Flat Head Screwdriver to lift off the Black Plastic Screw Heads Caps **4** if the occasion ever arises that requires their removal.

You have now installed your Visionlift Boomerang Cover Lifter.

Remember... to always fold back your cover before using the Cover Lifter to lift the cover into its final resting place - this ensures a longer life for your cover and Cover Lifter extending your enjoyment of your hot tub.





Mounting Bracket Positioning Chart

Visionlift Boomerang Cover Lifter



Step One:

To Determine the Mounting Bracket position:

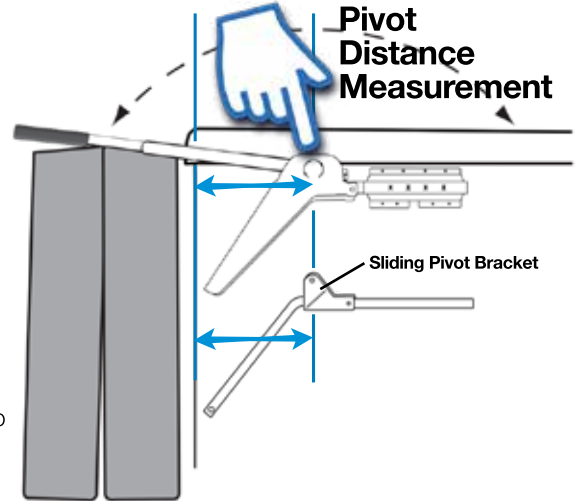
Refer to this measurement chart by locating the row that shows the length (you measured and be sure you measured across the fold and not along the fold) of your cover (in the first column on the left side) of the chart.

Then look across that row of the chart to the column that indicates your cover thickness (you measured) and where the two numbers intersect is the distance that the hole in the Sliding Boomerang Bracket **16** has to be away from the back edge of the hot tub.

Please Note: If the number you measure lands between the numbers indicated on the chart always round up to the next number on the chart when this occurs.

Now measure the distance you found on the chart from the back edge of the spa, using the Center Post **15** as a straight edge to indicate the back edge of the hot tub and measure forward on to the cabinet.

Remember: This can be tricky so please measure twice and install once.



HOT TUB COVER SIZE (INCHES)	COVER THICKNESS (INCHES)			
	3	4	5	6
70	14.5	13.5	12.5	11.5
72	15	14	13	12
74	15.5	14.5	13.5	12.5
76	15	15	14	13
78	16.5	15.5	14.5	13.5
80	17	16	15	14
82	17.5	16.5	15.5	14.5
84	18	17	16	15
86	18.5	17.5	16.5	15.5
88	19	18	17	16
90	19.5	18.5	17.5	16.5
92	20	19	18	17
94	20.5	19.5	18.5	17.5
96	21	20	19	18
98	21.5	20.5	19.5	18.5
100	22	21	20	19

HOT TUB COVER SIZE (CENTIMETERS)	COVER THICKNESS (CENTIMETERS)			
	7.62	10.16	12.7	15.24
178	37	35	32	30
183	39	36	34	31
191	40	37	35	32
194	39	39	36	34
199	42	40	37	35
204	44	41	39	36
209	46	42	40	37
214	46	44	41	39
219	47	45	42	40
224	49	46	44	41
229	50	47	45	42
234	51	49	46	44
242	53	50	47	45
244	54	51	49	46
249	55	53	50	47
254	56	54	51	49

Visionlift Boomerang Cover Lifter Warranty



THE WARRANTY:

SMP Specialty Metal Products Inc. warrants to you (the original purchaser) for the stated warranty term of LIFETIME from the original date of purchase, to be free from defects in material and workmanship.

Ultralift Cover Lifters will be free from defects in materials or workmanship that would cause the lifter to be inoperable in normal working conditions. Any claim made within these terms for the lifetime of the product from the date of purchase will be repaired or replaced at the option of the Manufacturer.

This is a 100% Non-Prorated Warranty on all parts for the lifetime of the product. Only parts excluded from the warranty are the gas springs which include a 100% One Year Warranty.

EXCLUSIONS TO WARRANTY

- Lifter has been subjected to alteration, misuse or repairs by anyone other than an authorized representative of the Manufacturer, unless written approval is provided
- Damage caused by improper installation or during transportation from the seller to the purchaser
- Any damage resulting from any misuse, abuse, negligence, accident or alteration, environmental, or use during high winds.

The warranty covers the operational use of the lifter but does not cover scratches, abrasions, rusting or any defects to the finish of the material caused by or resulting from the exposure to the environmental factors; i.e. sun, rain, chemicals or any defects resulting from normal fading or minor deterioration.

The warranty does not cover damage resulting from abuse or accidents, including but not limited to the following damage:

- Use of abrasive or unapproved cleaners that could cause surface damage
- Subjection to solvents or other chemicals which could deteriorate painted surfaces
- Use for any other purpose than as a Spa or Hot tub cover lifter

MAKING A CLAIM:

To make a warranty claim; in the event of a defect covered by this warranty for Ultralift, contact the original retail seller and provide original purchase receipt, any photo(s) clearly showing the defect(s) and an explanation. **NO RETURNS OF MERCHANDISE WILL BE ACCEPTED UNTIL A "RETURN AUTHORIZATION NUMBER" HAS BEEN ISSUED.**

The lifter will be repaired or replaced at the discretion of the Manufacturer. If necessary, the purchaser is responsible to ship any said parts back to the manufacturer. The warranty includes all Labor costs performed at the manufacturer's facility but not labor in the field. SMP will cover the cost(s) to repair and/or replacement of the items back to the retailer or seller.

FREIGHT DAMAGE:

Any materials damaged in freight will be replaced by SMP Specialty Metal Products provided the purchaser files the appropriate claims form with the carrier, and submits copies to the manufacturer within five (5) business days of receiving the damaged merchandise. All claims should also be reported to the seller.

Consequential Damages:

SMP Specialty Metal Products Inc. will not be liable for any loss, expense, or damage other than to Ultralift, that may result from a defect in materials or workmanship. This warranty does not cover incidental damages including damage to property or injury arising from the use or inability to use this product. Manufacturer or Seller shall in no event be liable for any amount in excess of the original purchased amount. (Some Provinces / States do not allow the exclusion or limitation of incidental or consequential damages, so the above mentioned limitation may not apply to you).

It is important that you report to the Retailer from whom you purchased Ultralift, any defects as soon as they are detected. If it is impractical to report any defects to the Retailer,

CONTACT SMP Specialty Metal Products Inc. 326 Watline Avenue, Mississauga, Ontario Canada, L4Z 1X2;
Phone: 1-800-597-1343, Email: info@theultralift.com