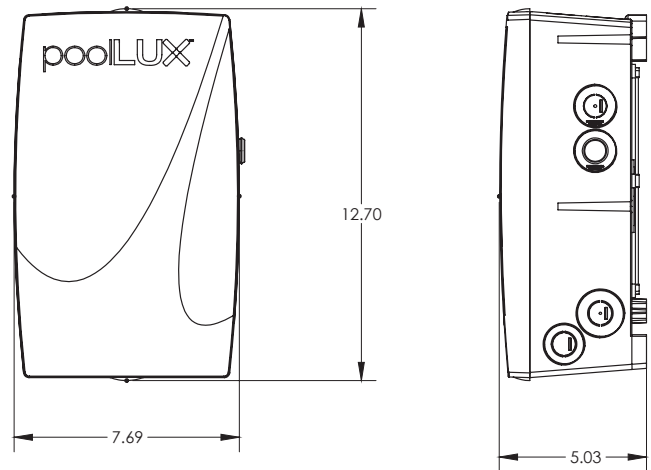


poolLUX™ Plus

poolLUX Plus combines power and lighting control in one simple system.

- Spread-spectrum wireless remote control with one-touch color sync for S.R.Smith LED lighting products
- (6) Colors and (2) Light Shows when used with S.R.Smith LED lights
- Built-in on/off switch increases convenience and can save on electrician costs
- Oversized wiring area for easy installation
- Convenient terminal strip wiring – no wire nuts required
- Corrosion resistant polycarbonate housing for harsh pool environments
- 60W or 100W options
- ETL Listed - Conforms to UL379 (Pool, Spa and Fountain Power Unit Standard) and certified to CSA C22.2#218.1



Model No.	Description	Shipping		
		Length	Width	Height
pLX-PL60	(1) poolLUX Plus 60 Watt with spread-spectrum wireless remote	15" / 38cm	12" / 30cm	8" / 20cm
pLX-PL100	(1) poolLUX Plus 100 Watt with spread-spectrum wireless remote	15" / 38cm	12" / 30cm	8" / 20cm
poolLUX Plus Kits				
2TR-pLX-PL60	(1) poolLUX Plus 60 Watt with spread-spectrum wireless remote (2) Treo 80' RGB LED pool lights (1) Free Treo Micro 80' RGB LED pool light	24" 61cm	15" 38cm	18" 46cm
3TR-pLX-PL60	(1) poolLUX Plus 60 Watt with spread-spectrum wireless remote (3) Treo 80' RGB LED pool lights (1) Free Treo Micro 80' RGB LED pool light	24" 61cm	15" 38cm	18" 46cm
2TR-pLX-PL100	(1) poolLUX Plus 100 Watt with spread-spectrum wireless remote (2) Treo 80' RGB LED pool lights (1) Free Treo Micro 80' RGB LED pool light	24" 61cm	15" 38cm	18" 46cm
3TR-pLX-PL100	(1) poolLUX Plus 100 Watt with spread-spectrum wireless remote (3) Treo 80' RGB LED pool lights (1) Free Treo Micro 80' RGB LED pool light	24" 61cm	15" 38cm	18" 46cm



S.R.Smith, LLC P.O. Box 400, Canby, OR 97013
P 503.266.2231 TF 800.824.4387 srsmith.com

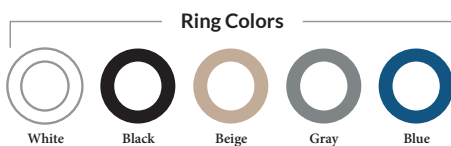
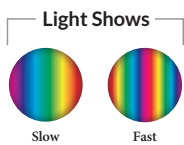
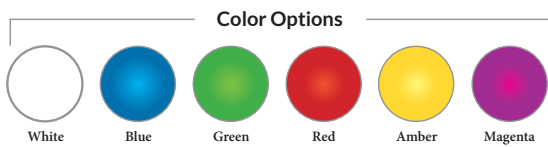
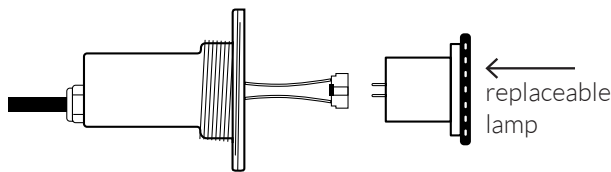
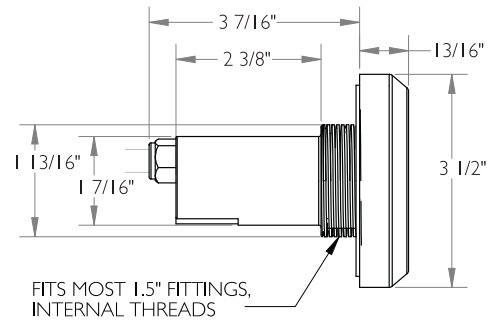
© 2017 S.R.Smith. All rights reserved.

M-E-BRO-621 5M 0517

TREO LED Light

The TREO LED light is a 12VAC, 5 Watt LED underwater light for gunite, vinyl liner, and fiberglass pools with a replaceable LED lamp.

- Serviceable design - Replaceable LED lamp
- Designed for use with standard thread 1.5" diameter wall fittings
- Available in lengths of 30', 50', 80', 150'
- No earth bonding required
- White or color changing LED models available
- Color functions:
 - Advanced color functionality with poolLUX Premier: (49) color variations and dimming control (via wireless remote)
 - 12V controls: (6) colors (white, blue, green, red, amber, magenta) and (2) light shows
- Color memory function
- Five colored trim rings included to match the surface of your pool or spa
- 3 year warranty
- ETL Listed - Conforms to UL676, certified to CSA C22.2 #89



Model No.	Description
FLED-C-TR-30	TREO 30' RGB LED pool light
FLED-C-TR-50	TREO 50' RGB LED pool light
FLED-C-TR	TREO 80' RGB LED pool light
FLED-C-TR-150	TREO 150' RGB LED pool light
FLED-W-TR-30	TREO 30' White LED pool light
FLED-W-TR-50	TREO 50' White LED pool light
FLED-W-TR	TREO 80' White LED pool light
FLED-W-TR-150	TREO 150' White LED pool light
FLED-VK-TR	TREO vinyl adapter kit
FLED-LAU-C	RGB Replacement Lamp
FLED-LAU-W	White Replacement Lamp
FLED-C-TR-PK8	8 TREO RGB LED pool lights with 80' cord
FLED-W-TR-PK8	8 TREO White LED pool lights with 80' cord

