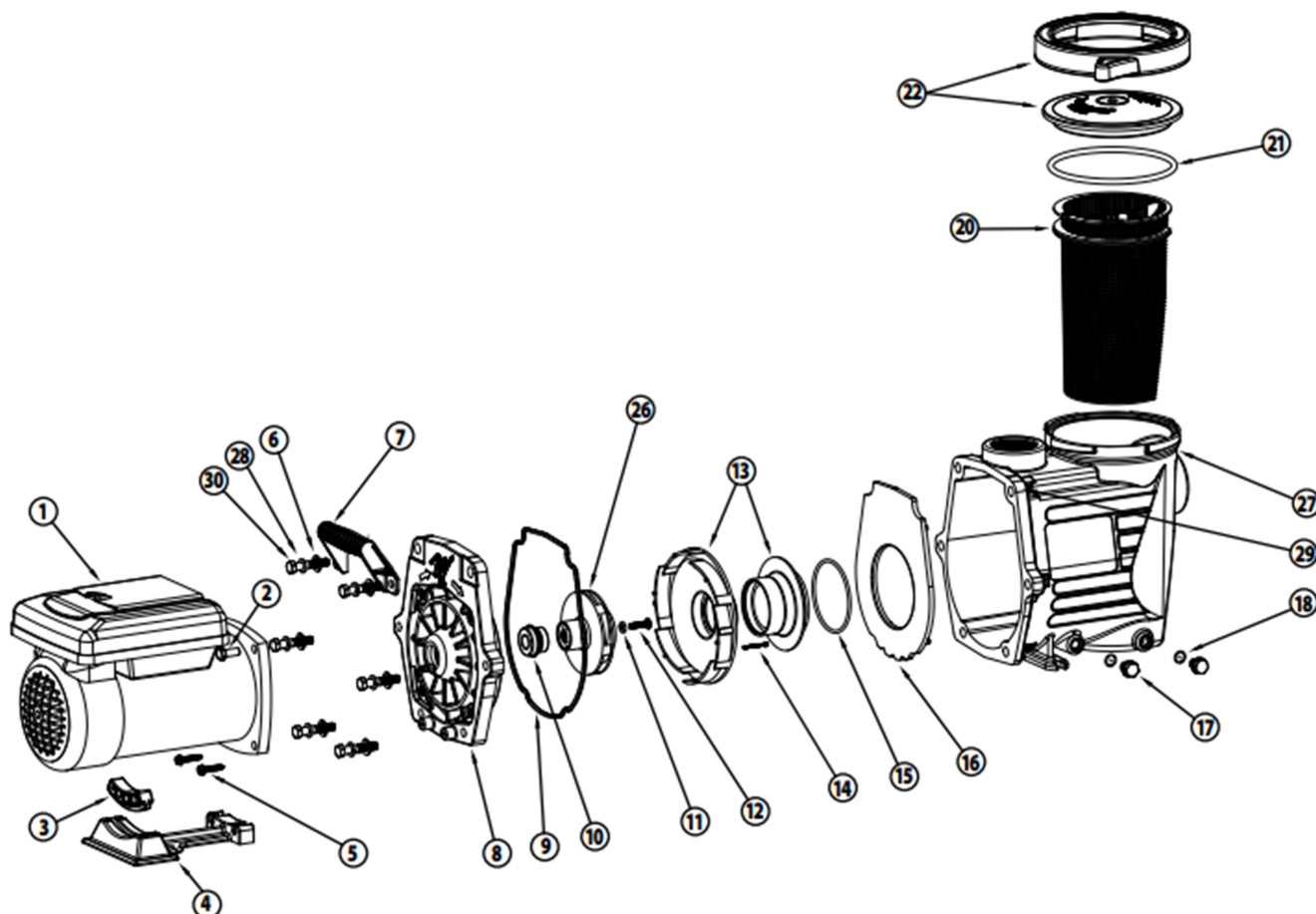


Waterway Power Defender ABG 140 VS Pump



Part No.	Qty	Description	Part No.	Qty	Description
1	3POV360	1 Motor	15	805-0238	1 O-Ring-238
2	819-0035	3 Bolt .375-16 X .875 Long	16	319-1420	1 Diffuser Plate
3	672-1350	1 Motor Support Supra Max	17	715-1200	2 3/8" Quarter Slot Plug (Sd Wet End)
4	319-1500	1 Motor Base	18	805-0014	2 O-Ring, -014
5	819-0013	2 Screw Slot Hex Washer 1/4" X 1_1/4"	20	319-1430	1 Basket Assy
6	820-0017	6 3/8" Flat Washer Type B, Pool Pumps	21	805-0436	1 O-Ring, 6" Trap Lid
7	319-1700	1 Handle	22	319-4100	1 Lid Assembly, 6" Trap
8	311-1450	1 Face Plate	26	310-7410	1 Impeller Assy
9	711-1400	1 Gasket, Face Plate	27	315-2410	1 Pump Housing - 2" X 2" Npt
10	319-3100B	1 Pump Seal Set-Viton	28	820-0017-1	6 3/8" Washer, Split Lock
11	711-4300	1 Washer, Impeller	29	820-4280	6 Brass Insert, 3/8-16 Unc Housing
12	819-4360	1 Screw Phil. Pan Head Left Hand 1/4-20 X 1"	30	819-0016	6 3/8"-16 X 2" Lg Hex Head
13	310-7470	1 Diffuser Assy			
14	819-0018	2 #4-40 Uncs Bolt Schs			