



HAYWARD[®]
COMMERCIAL AQUATICS

HCF Series

HIGH-CAPACITY CARTRIDGE FILTERS



1 YEAR
WARRANTY



Certified to
NSF/ANSI Standard 50

THE HEAVY-DUTY FILTERS THAT GO EASIER ON THE ENVIRONMENT.

With a massive 700 ft² of filter area and dual-quad cluster cartridge elements, HCF Series cartridge filters provide major debris-holding capacity and extra-long filter cycles. They also eliminate backwashing, saving thousands of gallons of heated, chemically balanced pool water per month to minimize environmental impact.



LARGE CAPACITY WITH LONGER CYCLES

When it comes to filters, bigger is better. HCF Series cartridge filters feature dual quad-cluster cartridge elements that provide over 700 ft² of filter area, offering extra-large debris-holding capacity and extended filter cycles.



REDUCED ENVIRONMENTAL AND OPERATIONAL COSTS

HCF Series cartridge filters eliminate backwashing, saving thousands of gallons of heated, chemically balanced pool water per month. The result is a dramatic reduction in both operational costs and environmental impact.



TOUGH DESIGN, SIMPLE MAINTENANCE

Injection molded from glass-reinforced copolymer material, HCF Series cartridge filters are made to withstand the rigors of commercial operation. A low-profile tank base and eight compact cartridges make cleaning and replacement fast and easy every time.

Manual air relief valve bleeds air with a quick quarter turn of the lever

Combination pressure and filter cleaning-cycle indicator gauge visually indicates when filter needs cleaning

Dual quad-cluster cartridge elements provide 700 ft² of filter area for extra dirt-holding capacity and extended filter cycles

Injection-molded, glass-reinforced copolymer material stands up to the toughest environmental conditions

Full-size 1½" integral drain provides fast flushing and clean-out

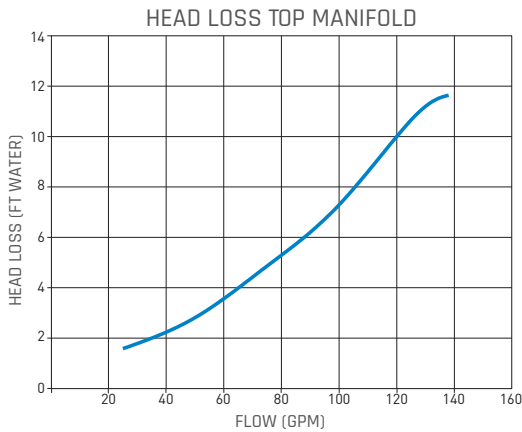
Top manifold design provides excellent hydraulic performance

Self-aligned tank top and bottom provide easy service access to cartridge elements

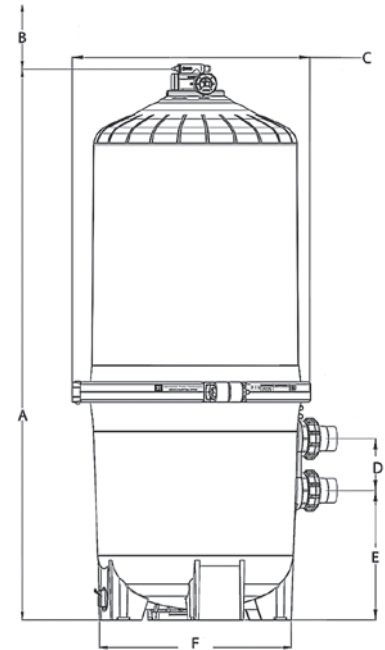
Heavy-duty, tamper-proof, one-piece clamp offers quick access to all internal components without disturbing connections

CPVC union coupling connection provides 2" or 2½" plumbing options with 2" full-flow internal piping for maximum performance

Noryl™ bulkhead fittings provide extra strength and heat resistance



| GPM | HLF |
|-----|-------|
| 0 | -0.5 |
| 25 | 1.58 |
| 50 | 2.81 |
| 75 | 4.86 |
| 100 | 7.29 |
| 125 | 10.66 |
| 138 | 11.64 |



DIMENSIONS (INCHES)

| A | B** | C | D | E | F |
|------|-----|----|---|------|----|
| 52.5 | 28 | 26 | 5 | 12.5 | 18 |

TECHNICAL SPECIFICATIONS AND PERFORMANCE DATA

| | |
|-------------------------------------|---|
| PART NUMBER | HCF7030C |
| Product Dimensions | 52.5" Tall, 26" Diameter |
| Effective Filtration Area | 700 ft ² |
| Design Flow Rate | 150 GPM* |
| Filter Type | Dual Quad-Cluster Polyester Cartridge |
| Filter Tank | Injection Molded Glass-Reinforced Co-Polymer |
| Filter Elements | Eight Reinforced Polyester Cartridges |
| Performance Range | ½ to 3 HP (30 to 150 GPM) .37 to 2.24 kW (114 to 568 LPM) |
| Maximum Working Pressure | 50 psi |
| Turnover (in gallons) 8 hrs | 72,000 |
| Turnover (in gallons) 10 hrs | 90,000 |
| Product Weight | 77 lbs. |

*Determined by pump size and piping system hydraulics, 2½" piping is recommended for flow rates equal to or greater than 90 GPM (341 LPM).

Hayward doesn't recommend flow rates above 150 GPM.

**B = Vertical Clearance

» haywardcommercialpool.com » (301) 838-4001

HCF Cartridge Filters are listed by:

