



INTELLIBRITE® 5G

WHITE AND COLOR POOL AND SPA LIGHTS



INSTALLATION AND USER'S GUIDE

IMPORTANT SAFETY INSTRUCTIONS
READ AND FOLLOW ALL INSTRUCTIONS
SAVE THESE INSTRUCTIONS

Technical Support: Phone: (800) 831-7133 - Fax: (800) 284-4151

Web site: www.pentair.com

Contents

IMPORTANT WARNING AND SAFETY INSTRUCTIONS..... iii-iv

IntelliBrite 5G Pool and Spa Lights Overview 1

Operating IntelliBrite Pool and Spa lights using a wall switch (12 VAC) 1

Using an External Transformer for Multiple IntelliBrite 12 VAC Lights1

Powering on IntelliBrite 5G Lights 2

Selecting a light show mode or fixed color (Color Lights) 2

Using an IntelliBrite Color Light Controller 2

Replacing the IntelliBrite 5G Pool and Spa Light Fixture
(in an existing pool/after electrical requirements are met) 3/5

IntelliBrite 5G Pool and Spa Light Fixture Installation
(new pool construction - GFCI Installation Requirements (USA) 6/7

IntelliBrite 5G Pool and Spa Light Fixture Installation
(new pool construction (Canada) 7

Junction Box/GFCI Installation Requirements (Canada) 8

Installing the IntelliBrite 5G Pool and Spa Light Fixture
(after electrical requirements are met) 9

IntelliBrite 5G Pool Light (12 V) Fuse Harness Replacement Overview 11

Replacing the IntelliBrite 5G Pool Light Circuit Board Assy (existing pool).....12

Installing the IntelliBrite Light Assembly, new gasket/Uni-tension Wire Clamp .15

Wide and Narrow Angle Lens Adjustment/Part Numbers19/20

Replacing the IntelliBrite Spa Light Fixture (existing pool) 21

IntelliBrite 5G Spa Light Replacement Kit Part Numbers 25

Before Installing luminaries read the following:



WARNING Always install a new Uni-Tension Wire Clamp assembly and Lens Gasket (see page 19), when reassembling the light assembly. Failure to do so may permit water to leak into the assembly which could cause; (a) an electrical hazard resulting in death or serious injury to pool users, installer, or others due to electrical shock, or (b) breakage of the lamp or lens, which likewise could result in serious injury to pool user, installers, or bystanders, or in damage to property.

FOR 12 VAC LUMINARIES: ALWAYS USE A SEPARATE STEP DOWN TRANSFORMER TO POWER LUMINARIES. SEE DIAGRAM ON PAGE 7. Note: Connect all three wires to the corresponding circuit wires in the Junction Box (black wire to power, white wire to common, and green wire to ground). 12 VAC LUMINARIES SPECIFICATION: 50/60 Hz. REPLACE ANY CRACKED PROTECTIVE SHIELD (CRACKED LENS) WITH NEW LENS AND GASKET.



THE INTELLIBRITE 5G LED POOL LIGHT AND SPA LIGHT CANNOT BE USED ON A DIMMER CIRCUIT. USING A DIMMER SWITCH WILL RESULT IN PERMANENT DAMAGE TO THE LIGHT.

IMPORTANT WARNING AND SAFETY INSTRUCTIONS



SERIOUS BODILY INJURY OR DEATH CAN RESULT IF THIS LIGHT IS NOT INSTALLED AND USED CORRECTLY.



INSTALLERS, POOL OPERATORS AND POOL OWNERS MUST READ THESE WARNINGS AND ALL INSTRUCTIONS BEFORE USING THE POOL AND/OR SPA LIGHT.



Most states and local codes regulate the construction, installation, and operation of public pools and spas, and the construction of residential pools and spas. It is important to comply with these codes, many of which directly regulate the installation and use of this product. Consult your local building and health codes for more information.



IMPORTANT NOTICE - Attention Installer: This Installation and User's Guide ("Guide") contains important information about the installation, operation and safe use of this underwater pool and spa light. This Guide should be given to the owner and/or operator of this equipment.



Before installing this product, read and follow all warning notices and instructions in this Guide. Failure to follow warnings and instructions can result in severe injury, death, or property damage. Call (800) 831-7133 for additional free copies of these instructions. Please refer to www.pentairpool.com for more information related to this products.



RISK OF ELECTRICAL SHOCK OR ELECTROCUTION: THE INTELLIBRITE® POOL AND SPA LIGHT REQUIRE HIGH VOLTAGE WHICH CAN SHOCK, BURN, OR CAUSE DEATH. BEFORE WORKING ON POOL AND SPA LIGHTS always disconnect power to the pool and/or spa lights at the circuit breaker from the light before servicing the light. Failure to do so could result in death or serious injury to service person, pool users or others due to electric shock.

This underwater light must be installed by a licensed or certified electrician or a qualified pool professional in accordance with the current National Electrical Code (NEC), NFPA 70 or the Canadian Electrical Code (CEC), CSA C22.1. All applicable local installation codes and ordinances must also be adhered to. Improper installation will create an electrical hazard which could result in death or serious injury to pool users, installers or others due to electrical shock, and may also cause damage to property. Always disconnect the power to the pool light at the circuit breaker before servicing the light. Failure to do so could result in death or serious injury to serviceman, pool users or others due to electrical shock.



Important Safety Information for Pentair Water Pool and Spa Niche and Light Installation

- All Niche and Light installations must conform with all codes. If local codes mandate a cord seal, use Pentair Water Pool and Spa plastic niches (P/N 79206600 and P/N 79206700) and Cord Seal Kit (P/N 670044).
- Under **no circumstances** replace lights by splicing wire under water or behind niche.



READ AND FOLLOW ALL INSTRUCTIONS IN THIS MANUAL.

IMPORTANT WARNING AND SAFETY INSTRUCTIONS

⚠ WARNING RISK OF ELECTRIC SHOCK AND INJURY. USE ONLY THE INSTALLATION METHOD SPECIFIED BELOW.

Location of Luminaire Use	Pentair Water Pool and Spa Fountain Fixture* (P/N 560001 and P/N 560000)	Required Installation Method
Swimming Pool and Spa	Wet-Niche Swimming Pool (or Spa) Luminaire (Light)	Fixture Housing (Forming Shell) ONLY. DO NOT USE Fountain Fixture Stand.
Fountain	Wet-Niche Submersible Luminaire (Light) swimming Pool (or Spa) Luminair (Light)	Fixture Housing (Forming Shell) or Fountain Fixture Stand

(*) Note: Wet-niche luminaires complying with requirements for both uses may bare both the Listed Wet-Niche Submersible Luminaires UL Mark. A luminaire not bearing the corresponding UL Listing Mark is not considered by UL to have been produced under UL's Listing and Follow-Up Service for the associated usage location.

CAUTION - The IntelliBrite® 5G Light fixture must only be used with Pentair Water Pool and Spa fixture housings (niches). If the IntelliBrite light fixture is installed into other niches, the installation will not carry U.L. approval and will void all warranties.

NOTICE: The external flexible cable or cord of this luminaire cannot be replaced; if the cord is damaged, the luminaire shall be destroyed.

⚠ WARNING For countries in compliance with International Electromechanical Commission (IEC) regulatory standards: The light fixture must be installed by a licensed or certified electrician or a qualified pool service person, in accordance with IEC 364-7-702 and all applicable local codes and ordinance. Improper installation will create an electrical hazard, which could result in death or serious injury to pool user, installer or other due to electrical shock and may also cause damage to the property.

⚠ WARNING Salt is an inherently corrosive material. While the levels of salt required for proper operation of an electronic chlorine generator are relatively low when compared to sea water and other salt solutions, placing any amount of salt in your pool increases the likelihood of corrosion or other deterioration of pool equipment and any surfaces used in and around your pool. Metal parts and certain natural and man-made surfaces are particularly susceptible to corrosion and deterioration when used in and around salt water pools. Pentair does not represent or otherwise guarantee that the proper use of an electronic chlorine generator will prevent corrosion or other deterioration of pool equipment and any surfaces used in and around your pool. Consult your experienced pool professional, who should be able to advise you on the proper material selection, installation techniques for those materials, and the proper use, care and maintenance of those materials for your specific pool type and location in order to minimize the corrosion and deterioration that is inherent in and around salt water pools.

POOL AND SPA FIXED LUMINARIES: Follow these guidelines when installing, replacing or repairing Pentair Aquatic Systems Pool and Spa fixed luminaries: **REPLACE ANY CRACKED PROTECTIVE SHIELD (CRACKED LENS) WITH NEW LENS AND GASKET. FOR MORE INFORMATION SEE PAGE 11.**
FOR LIGHT OPERATION, ONLY USE A SAFETY ISOLATION TRANSFORMER.

CAUTION! Luminaires not suitable for direct mounting on normally flammable surfaces (suitable ONLY for mounting on non-combustible surfaces). Fixed pool and spa luminaries specification:

12 VAC 50/60 Hz - 120VAC  ,50/60 Hz.



Surface Mount

IntelliBrite® 5G Pool and Spa Lights Overview

This manual describes how to install the IntelliBrite 5G white and color pool light and the IntelliBrite 5G white and color spa light.

The IntelliBrite 5G white light provides a brilliant white light for a spectacular effect in your pool and spa. The IntelliBrite 5G white light lens geometry (pool light only) provides a choice between two light beam shapes; wider coverage with less intensity, or narrower coverage with more intensity.

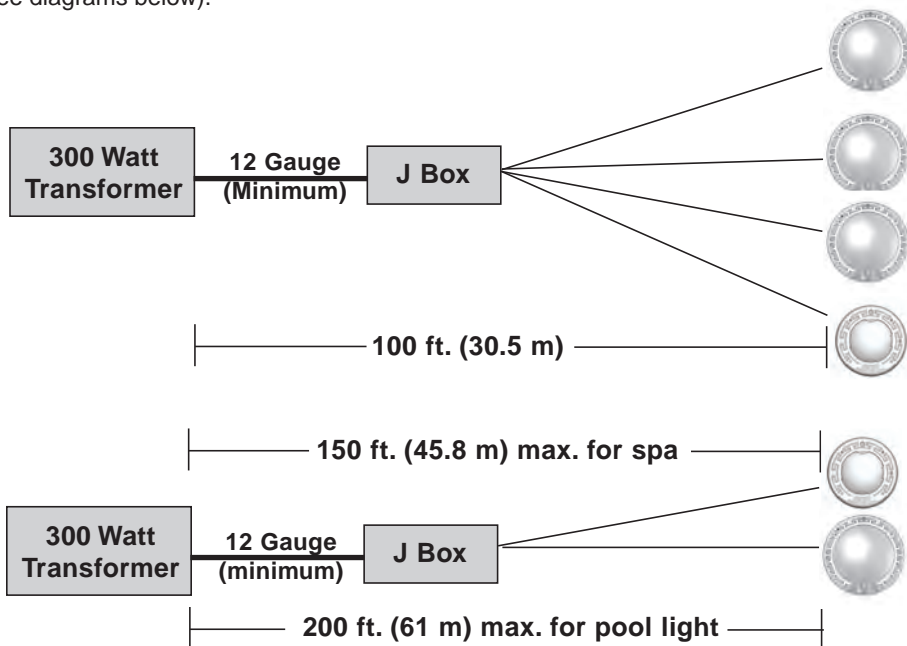
The IntelliBrite 5G color light provides brilliant vivid multi-colors with spectacular effects for your pool and spa. Choose one of the seven pre-programmed color light shows or select one of the five fixed colors to create virtually endless range of dramatic underwater lighting effects for a spectacular effect in your pool and spa.

Operating Pool and Spa Lights Using a Wall Switch (12 VAC)

IntelliBrite 5G pool and spa lights can be manually controlled using a standard wall-mount light switch. Multiple IntelliBrite lights can be connected via a junction box to a single switch so that all lights can be switched on and off together. IntelliBrite lights can also be automatically controlled via Pentair IntelliTouch®, EasyTouch® and SunTouch® Control Systems. **Note: Multiple IntelliBrite 5G pool/spa lights can also be controlled using the IntelliBrite Controller, for more information see page 2.**

Using an External Transformer for Multiple IntelliBrite 12 VAC Lights

When using multiple IntelliBrite 12 VAC lights on a **300 Watt** transformer, it is recommended that no more than three IntelliBrite pool lights and one IntelliBrite Spa light be used. It is also recommended not to exceed 100 ft (30.5 m) of total cable run between the transformer and light. Note: For long cable lengths, set the transformer to 14 VAC (see diagrams below).



Powering on IntelliBrite® 5G Color Lights

When the IntelliBrite light is powered on, a momentarily white light will illuminate, followed by the previously selected color. Note: If power to the light is off for more than five seconds, the last color show mode or fixed color that was saved will be displayed.

Selecting a light show mode or fixed color

Switch power on to the light. A white light will momentarily illuminate, followed by the previously selected color. To select a color show mode (1-7) or fixed color (8-12), turn the wall switch off/on a specific number of times. Each number (1-12) shown below corresponds to the number of times to power-cycle the switch to activate a color light show or fixed color. For details about saving color effects while in “show” modes, see “Hold” and “Recall” feature on page 3. Example: To select California Sunset Mode; turn the light on, then turn off and on six times. During the off/on switching process, no illumination will occur,

Number of times to cycle power (1-5)	1	SAm Mode: Cycles through white, magenta, blue and green colors (emulates the Pentair SAm® color changing light).	Number of times to cycle power (6-14)	6	California Sunset Mode: Dramatic transitions of orange, red and magenta tones.
	2	Party Mode: Rapid color changing building energy and excitement.		7	Royal Mode: Richer, deeper color tones.
	3	Romance Mode: Slow color transitions creating a mesmerizing and calming effect.		8	Blue: Fixed color.
	4	Caribbean Mode: Transitions between a variety of blues and greens.		9	Green: Fixed color.
	5	American Mode: Patriotic red, white and blue transition.		10	Red: Fixed color.
				11	White: Fixed color.
				12	Magenta: Fixed color.
				13	Hold: Save the current color effect during a color light show.
				14	Recall: Activate the last saved color effect.

Saving a Color Mode or Fixed Color: When power is switched off to the IntelliBrite color lights, the last color show mode or fixed color will be saved. The next time the light is powered on, the previously saved color show mode or fixed color will be displayed. For example, while in “Party Mode” switch the light off. Wait more than 10 seconds, switch the light back on to resume “Party Mode.”

⚠ WARNING During the off/on switching process, before the selected color is displayed, no illumination will occur for a brief second. This operating mode is normal during the switching process. During this period the pool and spa will be dark and precautions should be taken to avoid unforeseen accidents. Failure to observe this warning may result in serious injury or death to pool and spa users.

Using an IntelliBrite Color Light Controller

Using the IntelliBrite Controller (sold separately, P/N 600054), IntelliBrite 5G color pool/spa lights can all be synchronized so that individual or multiple IntelliBrite lights all lights can be switched on and off together.

To select a color light show mode or fixed color mode, rotate the dial so that it points to the desired selection.

Hold and Recall Feature: When IntelliBrite color lights are powered on, the previously selected color will be displayed, unless the HOLD or RECALL feature was previously enabled.

Hold button/LED: Press this button (LED on) to capture and save a color effect while displaying one of the light show modes. When the button is pressed, the LED will be on, indicating that the color effect is captured.

Recall Button/LED: Use this button (LED on) to activate the last saved color effect. When the button is pressed, the LED will be on, indicating that the color effect is being displayed.

Replacing the IntelliBrite® 5G Pool and Spa Light Fixture (in an existing pool or spa)



Risk of Electrical Shock or Electrocutation!

This underwater light must be installed by a licensed or certified electrician or a qualified pool professional in accordance with the National Electrical Code and all applicable local codes and ordinances. Improper installation will create an electrical hazard which could result in death or serious injury to pool users, installers or others due to electrical shock, and may also cause damage to property. Always disconnect the power to the pool light at the circuit breaker before servicing the light. Failure to do so could result in death or serious injury to service person, pool users or others due to electrical shock.

Verify that the pool and spa meets the requirements of the current National Electrical Code and all local codes and ordinances. A licensed or certified electrician must install the electrical system to meet or exceed those requirements before the underwater light is installed. Some of the requirements of the National Electrical Code which the pool's electrical system must meet are as follows:

- 120 VAC pool/spa lights must have a Ground Fault Circuit Interrupter (GFCI), with an appropriately rated circuit breaker. 12 VAC pool/spa/lights do not require a GFCI. See Figure 1, page 7 for details.
- **The Junction Box:** For 12 volt models only, the low voltage step-down transformer shall be located at least 8 in (20.3 cm) above the maximum water line and at least 4 in (10.2 cm) above the ground level or pool deck whichever provides the greater elevation. The junction box shall be no less than 4 ft (1.22 m) from the inside wall of the pool, unless separated from the pool by a solid fence, wall or other permanent barrier. See Figure 3 on page 9.
- Bond the niche-fixture housing to all other metallic items within 5 ft (1.53 m) of the pool, using a No. 8 AWG bond wire. The Bond connection is located at the rear of the niche, see Figure 3 on page 9.
- The wet niche is properly installed so the top edge of the underwater light's lens is at least 18 inches (45.7 cm) below the surface of the water in the pool, see Figure 3 on page 9. Also, the face ring PILOT SCREW must be at the 12 o'clock position.
- If non-metallic conduit is used, a No. 8 AWG bonding/grounding wire must be installed through the conduit from the Junction Box to the bonding/grounding lug inside the niche. Seal the wire/lug connection with a listed sealant to protect the connection from possible pool water corrosion. See Figure 3 on page 9.
- To be certain that the pool's electrical system meets all applicable requirements, the electrician should also consult the local building department. Note: Use only Pentair wet niches to insure proper bonding and grounding connections.

Replacing the IntelliBrite® 5G Pool and Spa Light Fixture (After Electrical Requirements Are Met)

The following removal and installation instructions describe how to remove and install the IntelliBrite pool and spa light assembly. Also use these instructions after completing the following light replacement procedure:

Note: For IntelliBrite Spa Light, Face Ring, Uni-Tension Wire Clamp, Gasket and Lens Removal and Installation instructions, see page 21.

WARNING

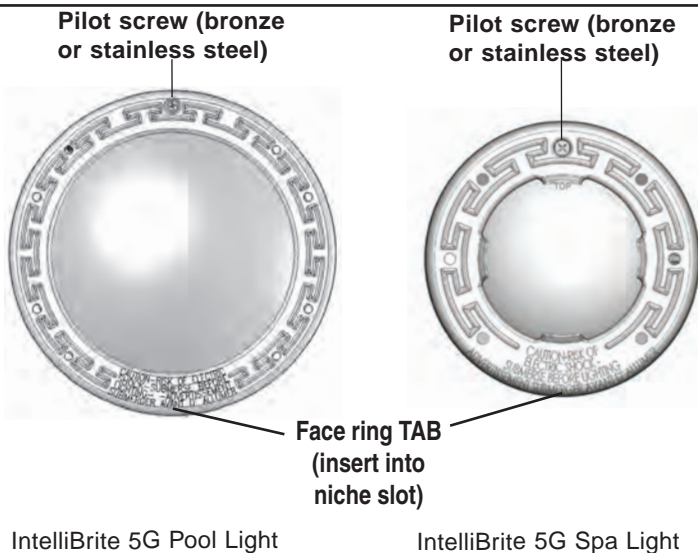
Failure to bring the pool or spa's electrical system up to code requirements before installing the underwater light will create an electrical hazard which could result in death or serious injury to pool users, installers, or others due to electrical shock, and may also cause damage to property.

1. **Switch off main electrical switch or circuit breaker, and the switch which operates the IntelliBrite underwater light.**
 - **Do not service the light while in the pool water. Service the light on the deck.**
2. **To remove light fixture assembly from the pool.** Remove the special bronze (or stainless steel) pilot screw at top of face ring. **Remove the IntelliBrite light assembly from the niche and place it on the deck.**
3. Cut the cord about 12 in (30.5 cm) from the back of the light assembly.
4. Remove Junction Box cover, disconnect the light fixture wires, and pull the cord through the conduit. ***Tip: Before pulling the cord, tape the new cord to the existing cord, This might make it easier to feed the new cord through the conduit (see the following step).***
5. Feed the new light fixture cord through the conduit from the niche to the Junction Box. **Note:** Depending on the length of the conduit, special tools may be required to pull the cord through the conduit.
6. Leave at least 4 ft (1.2 m) of cord to coil around the light fixture; see Figure 3 on page 9. This allows the light to be serviced on the deck after the pool is filled with water.
7. Cut the cord at the Junction Box, leaving at least 6 in (1.27 cm) of cord to make the connections.
8. Strip 6 in (15.2 cm) of the outer cord jacket from the cord to expose the three insulated conductors. Be careful not to damage the insulation on the three inner conductors). Strip a 1/2 in (1.27 cm) of insulation off the three conductors. Be careful not to damage the copper conductor.

9. Connect the three light wires to the corresponding light circuit wires in the Junction Box. Connect the black wire to power, white wire to common, and the green wire to ground.
10. Secure the Junction Box cover.
11. Install the IntelliBrite® light assembly into the pool niche. Be sure to insert the TAB on the lower part of the face ring into the niche SLOT (located on the lower part of the niche). This is important to secure the lower part of the light assembly onto the niche before tightening the pilot screw.
12. Carefully tighten the special bronze (or stainless steel) pilot screw to secure the upper part of the light assembly onto the niche.

⚠ WARNING

Use only the **special pilot screw provided** with this underwater light. This screw mounts and electrically grounds the housing securely to the mounting ring and wet niche. Failure to use the screw provided could create an electrical hazard which could result in death or serious injury to pool users, installers or others due to electrical shock.



13. **Final check for proper IntelliBrite light operation:** Switch on the main switch or circuit breaker to the system, and the switch that operates the IntelliBrite underwater light itself. The light should illuminate when power is applied. If not recheck the installation steps starting with Step 1 (page 4).

INTELLIBRITE® 5G POOL AND SPA LIGHT FIXTURE INSTALLATION (NEW POOL CONSTRUCTION - USA)

The following describes how to install the IntelliBrite® Pool Light fixture and the IntelliBrite Spa Light fixture. Read page 4 before starting the installation procedure.

BEFORE STARTING: The following steps 1-13 (page 4-5) describe the tasks that must be completed by the electrician before the IntelliBrite light fixture is installed. See Figure 1 diagram on page 7.

WARNING

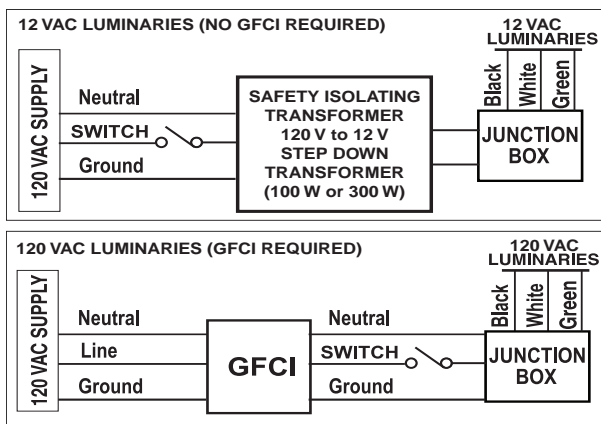
Be sure that the pool or spa meets the requirements of the current National Electrical Code (N.E.C.) Article 680 and all local codes and ordinances. A licensed or certified electrician must install the electrical system to meet or exceed those requirements before the underwater light is installed. Some of the requirements of the National Electrical Code which the pool's electrical system must meet are as follows:

- 120 VAC pool/spa lights **must be connected to** a Ground Fault Circuit Interrupter (GFCI), with an appropriately rated circuit breaker. See Figure 1, page 7 for details.
- The Junction Box (or, for 12 volt models, the low voltage transformer) shall be located at least 8 in (20.3 cm) above the maximum water line and at least four 4 in (10.2 cm) above the ground level or pool deck whichever provides the greater elevation. The junction box shall be no less than 4 ft (1.22 m) from the inside wall of the pool, unless separated from the pool by a solid fence, wall or other permanent barrier. See Figure 3 on page 9.
- Bond the niche-fixture housing to all other metallic items within 5 ft (1.53 m) of the pool, using a No. 8 AWG bond wire. The Bond connection is located at the rear of the niche, see Figure 3 on page 9.
- The wet niche is properly installed so the top edge of the underwater light's lens is at least 18 in (45.7 cm) below the surface of the water in the pool, see Figure 3 on page 9. Also, the face ring PILOT SCREW must be at the 12 o'clock position.
- If non-metallic conduit is used, a No. 8 AWG bonding/grounding wire must be installed through the conduit from the Junction Box to the bonding/grounding lug inside the niche. Seal the wire/lug connection with a listed sealant to protect the connection from possible pool water corrosion. See Figure 3 on page 9.

Note: To be certain that the pool or spa electrical system meets all applicable requirements, the electrician should also consult the local building department.

Note: Use only Pentair wet niches to insure proper bonding and grounding connections.

GFCI 12 VAC LIGHT INSTALLATION REQUIREMENTS (USA)



FOR LIGHT OPERATION, ONLY USE A SAFETY ISOLATION TRANSFORMER.

Note: Connect three wires to the corresponding circuit wires in the Junction Box. Connect: Black wire to power, white wire to common, and green wire to ground. *IMPORTANT!* 120 VAC POOL/SPA LIGHTS MUST HAVE A GFCI CONNECTION.

Figure 1, USA

INTELLIBRITE® 5G POOL AND SPA LIGHT FIXTURE INSTALLATION (NEW POOL CONSTRUCTION - CANADA)

Be sure the electrical system of your pool conforms with the following requirements of the Canadian Electrical Code (CE), and all local codes and ordinances. A licensed or certified electrician must install the electrical system to meet or exceed those requirements before the light and (fixture-housing) is installed. Some of the CE requirements are listed below.

- 120 VAC and 12 VAC lights **must have** a Ground Fault Circuit Interrupter (GFCI), and have an appropriately rated circuit breaker. Figure 2 on page 8.
- The GFCI or a transformer must be located at least 3 m (10 ft) or more from the edge of the pool, see *NOTE and Figure 2 on page 8.
- The junction/deck box must be sealed to the conduit to prevent water from getting into the box, see Figure 2 on page 8.
- The light fixture and all metal items within 3 m (10 ft) of the pool must be properly electrically bonded.
- The niche must be properly installed so the pilot screw hole is at the 12 o'clock position and that the center line of the Underwater Light's lens is at a maximum depth of 600 mm below the surface of the water in the pool, see Figure 4 on page 9.
- Be sure the niche is properly electrically bonded via the No. 6 AWG ground connector located at the rear of the niche.
- Use only Pentair lighting fixtures in this niche to ensure proper bonding and grounding connections.
- If non-metallic conduit is used, a No. 8 AWG bonding/grounding wire must be installed through the conduit from the Junction Box to the bonding/grounding lug inside the niche. Seal the wire/lug connection with a listed sealant to protect the connection from possible pool water corrosion. See Figure 4 on page 9.

JUNCTION BOX/GFCI INSTALLATION REQUIREMENTS (CANADA)

The following information is for the Junction Box and pool deck location for Canada only. Junction/Deck boxes shall be installed:

- (a) above the normal water level of the pool;
 - (b) so that the top of the box is located at or above the finished level of the pool deck;
 - (c) in such a manner or location that the box will not be an obstacle; and
 - (d) in such a manner that any water on the deck will drain away from the box
- (See diagram below).

FOR LIGHT OPERATION, ONLY USE A SAFETY ISOLATION TRANSFORMER.

Note: Connect three wires to the corresponding circuit wires in the Junction Box.

Connect: Black wire to power, white wire to common, and green wire to ground.

IMPORTANT! 120 VAC AND 12 VAC POOL/SPA LIGHTS MUST HAVE A GFCI CONNECTION. SEE FIGURE 2 BELOW.

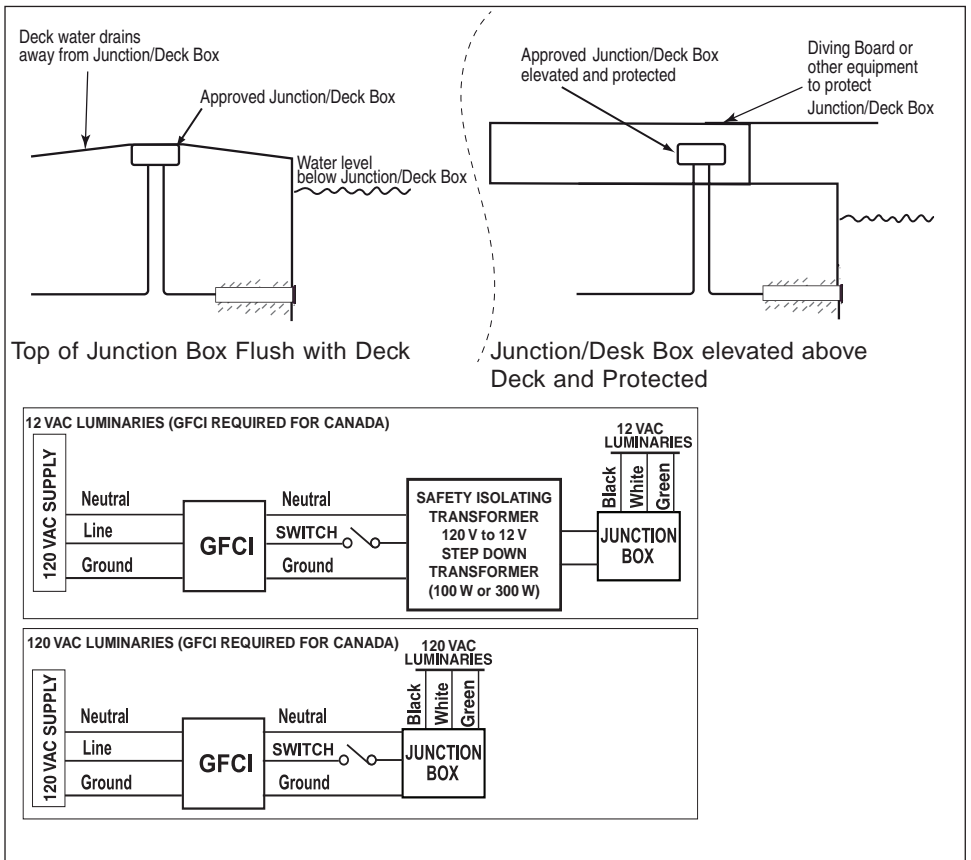


Figure 2, Canada.

INSTALLING THE INTELLIBRITE® 5G POOL AND SPA LIGHT FIXTURE (AFTER ELECTRICAL REQUIREMENTS ARE MET)

To install the IntelliBrite® Pool Light and Spa Light fixture:

- Switch off main electrical switch or circuit breaker, and the switch which operates the IntelliBrite underwater light.**

Route light cable through conduit to Junction Box, leaving at least 4 ft (1.22 m) of cable at the light fixture to coil around the light (this allows the light to be serviced on the deck after the pool is filled with water). See Figure 3 (USA), and Figure 4, (Canada) below.

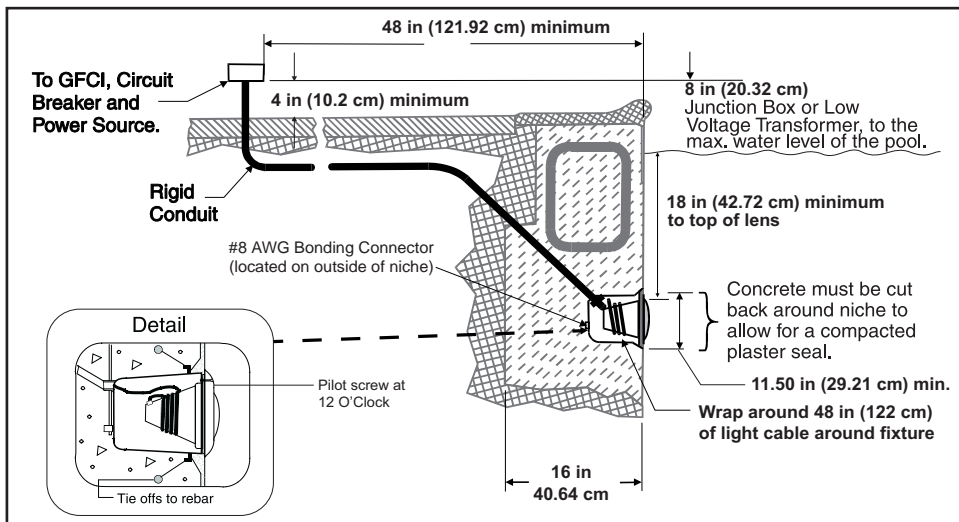


Figure 3, USA.

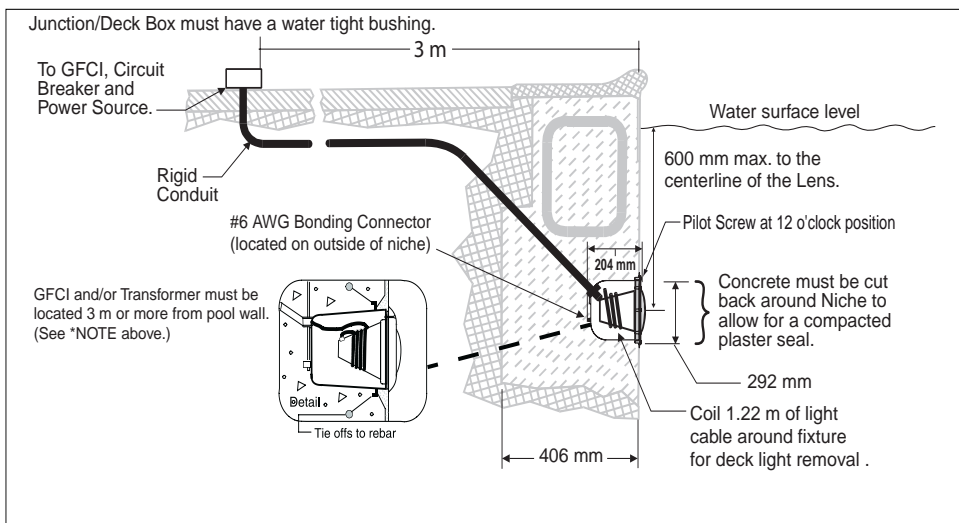


Figure 4, Canada.

INSTALLING THE INTELLIBRITE® 5G POOL AND SPA LIGHT FIXTURE (AFTER ELECTRICAL REQUIREMENTS ARE MET)

2. Cut the cable at the Junction Box, leaving at least 6 in (15.3 cm) of cord to make connections.
3. Strip back 6 in (15.3 cm) of the outer cord jacket to expose the three insulated conductors (be careful not to damage the insulation on the three inner conductors). Strip a 1/2 in (1.27 cm) of insulation off the three conductors. Be careful not to damage the copper conductor.
4. Connect all three conductors to the corresponding circuit wires in the Junction Box and secure the Junction Box cover in place.
5. Install the IntelliBrite® Light assembly into the niche and tighten the special bronze (or stainless steel) pilot screw.

WARNING

Use only the **special pilot screw provided** with this underwater light. This screw mounts and electrically grounds the housing securely to the mounting ring and wet niche. Failure to use the screw provided could create an electrical hazard which could result in death or serious injury to pool users, installers or others due to electrical shock.

**Pilot screw (bronze
or stainless steel)**



IntelliBrite 5G Pool Light

**Pilot screw (bronze
or stainless steel)**



IntelliBrite 5G Spa Light

6. Fill the pool until the underwater light is completely submerged in water before operating the light.
7. **Final check for proper light operation:** To check for proper operation, switch on the main switch or circuit breaker, and the switch that operates the IntelliBrite underwater light itself. The light should illuminate when power is applied. If not recheck the installation steps starting with Step 1 on page 4.

IntelliBrite® 5G Pool Light (12V) Fuse Harness Replacement Overview

The following describes how to replace the IntelliBrite 5G Pool Light fuse assembly (if applicable) and the light main circuit board for the IntelliBrite 5G pool light.

IMPORTANT! Before replacing the fuse assembly note the following:

Troubleshooting

Problem	Cause/Action
Light does not function properly	Check the light wiring connection to the junction box at the pool side and to the AC power switch. Be sure that there is proper AC power applied to the light.
The light will not illuminate.	Check the GFCI ground fault wiring and reset if necessary. For 120 V lights only.

IntelliBrite 5G 12 V Light with Light Fuse Assembly

Replace FUSE assembly (see page 14):

Note: Replacing the fuse assembly may or may not resolve this problem. In some instances the fuse assembly will blow, and after replacing the fuse the light's circuit board is still not functional. In this case, the circuit board must be replaced.

REPLACING THE INTELLIBRITE POOL LIGHT CIRCUIT BOARD ASSEMBLY (IN AN EXISTING POOL)

When replacing the IntelliBrite Pool Circuit Board, the Unit-Tension Wire Clamp (P/N 600095), (Gasket (P/N 620400Z) or Gasket and Lens (619864Z) MUST ALSO BE REPLACED - SEE PAGE 20 FOR PART NUMBERS.

Removal and Installation of IntelliBrite 5G Light Circuit Board

⚠ DANGER



D A N G E R !

RISK OF ELECTRICAL SHOCK OR ELECTROCUTION

Always disconnect power to the pool light at the circuit breaker before servicing the light. Failure to do so could result in death or serious injury to installer, service person, pool users, or others due to electrical shock.

1. **Turn off main electrical switch or circuit breaker**, as well as the switch which operates the IntelliBrite light itself. **Note: DO NOT service the light while in the pool water. Service the light on the deck.**
2. Before starting be sure that you have a new lens gasket (P/N 620400Z), Uni-Tension Wire Clamp (P/N 600095) and a IntelliBrite 5G pool light circuit board assembly (P/N 619875Z - 300w, P/N 619916Z-400W, P/N 619917Z-500w) - P/N 619818Z (Color) ready to install.

⚠ WARNING

Replace the light circuit board assembly with the same type and wattage. Failure to replace the light circuit board assembly with the same type will damage the light assembly and may cause an electrical hazard resulting in death or serious injury to pool users, installers, or others due to electrical shock, and may also cause damage to property.

⚠ WARNING

Always install a new lens gasket (P/N 620400Z) and Uni-Tension Wire Clamp (P/N 600095) whenever disassembling the IntelliBrite light assembly. Failure to do so may permit water to leak into the assembly which could cause:

- (a) an electrical hazard resulting in death or serious injury to pool users, installers, or others due to electrical shock, or
- (b) breakage of the lens, which likewise could result in serious injury to pool users, installers, or bystanders, or in damage to property.

3. **REMOVING THE INTELLIBRITE 5G POOL LIGHT ASSEMBLY:** Remove the pilot screw at top of face ring, remove the light assembly from the niche. Place the assembly on the deck. **Note:** It is not necessary to drain down the pool.
4. Unwind the cord from the base of the light housing.

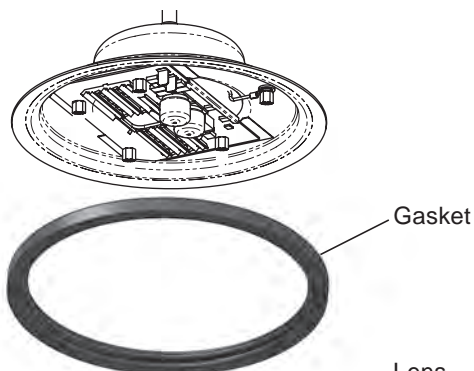
Pilot screw (bronze or stainless steel)



IntelliBrite 5G Pool Light

REPLACING THE INTELLIBRITE® POOL LIGHT CIRCUIT BOARD ASSEMBLY (IN AN EXISTING POOL) (Continued)

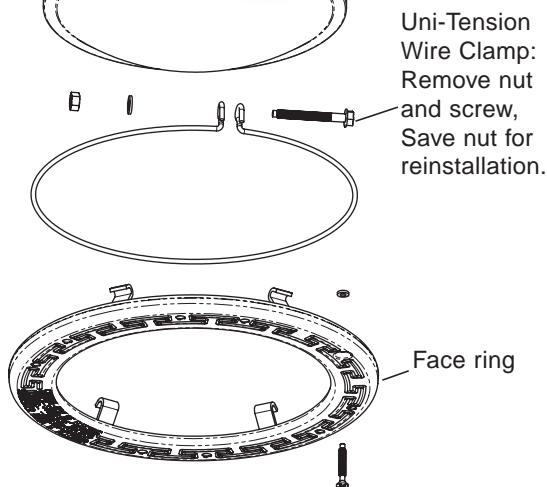
5. Place a cloth on the ground to protect the lens. Turn the light over so the lens is resting on the cloth. Using a 1/4 in (0.64 cm) nut driver and a #3 Phillips screwdriver, remove the nut from the Uni-Tension Wire Clamp. **Place the nut aside for reinstallation.**



6. Remove the face ring and wire clamp from the light housing. **Discard the Uni-Tension Wire Clamp.**

7. With the light resting on its base, carefully pry off the gasket to remove the lens. Set the lens aside for installation later. **Discard the gasket.**

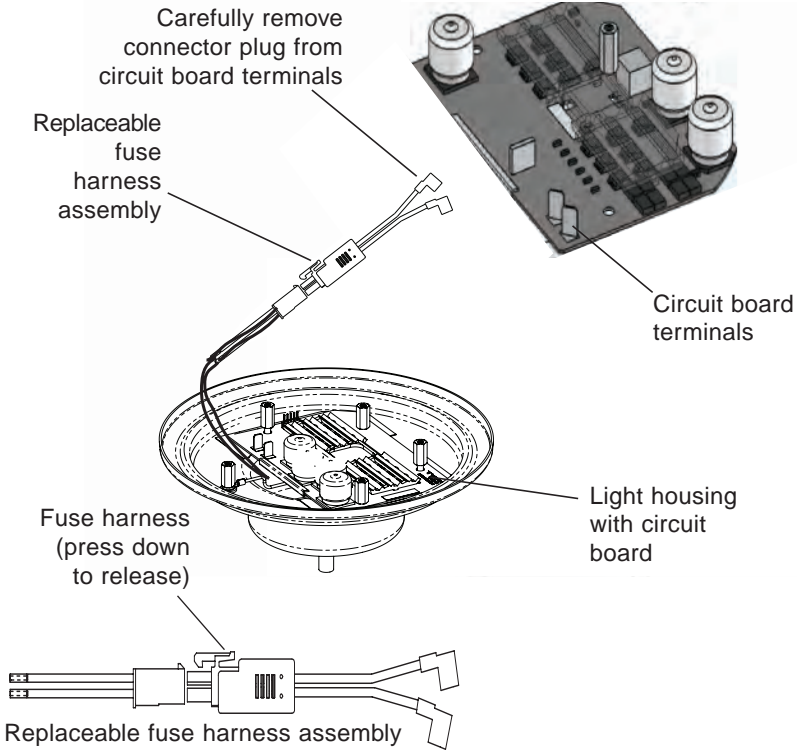
Note: A NEW LENS GASKET (P/N 620400Z) AND UNI-TENSION WIRE CLAMP MUST BE USED EACH TIME THE LIGHT IS REASSEMBLED. See page 20 for Replacement Kit part numbers.



Note: Note the current position of the lens at the pilot screw (12 o'clock) position, before removing it from the fixture. "W" on the lens indicates wide angle, "N" indicates narrow angle. For more information, see page 17 and 19.

NOTE: For a pool light (12 V only, no internal step-down transformer) that has a replacement FUSE ASSEMBLY, continue the procedure on the next page. If the light does NOT have a replacable fuse assembly, proceed to page 15.

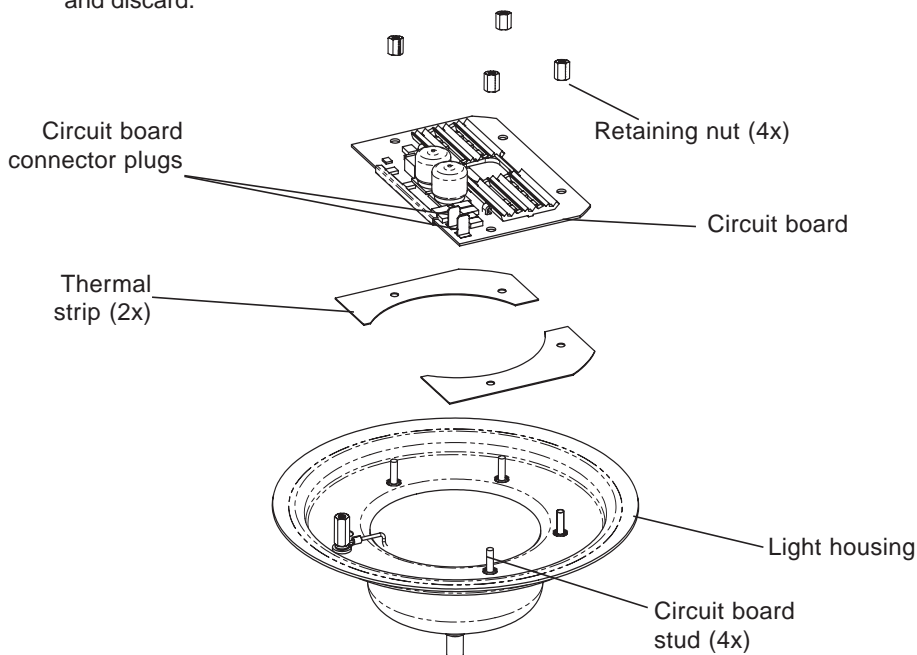
REPLACING THE FUSE HARNESS ASSEMBLY (FOR 12 V LIGHTS ONLY)



1. Using your fingers, carefully disconnect each fuse connector plug from the circuit board terminals. Carefully lift each connector plug upward, with small side-to-side movements while holding the circuit board terminals with a flat screw driver. Then gradually disconnect the connector plug from the terminal. *Note: To avoid permanent damage to the circuit board, be sure not to pull the terminals off the surface of the circuit board.*
2. Once the fuse connector plugs are removed from the circuit board terminals, separate the fuse assembly from the light wire harness by pressing down on the fuse release lever, then gently pull apart.
3. Insert the new fuse harness connector into the light cable harness plug and snap together.
4. Using your fingers to carefully connect each fuse connector plug onto the circuit board terminals. *Be sure not to press down too hard on the connector, this can damage the terminal connections on the circuit board.*
5. **Continue with “INSTALLING THE INTELLIBRITE® 5G POOL LIGHT ASSEMBLY WITH NEW GASKET AND UNI-TENSION WIRE CLAMP” on page 15.**

REMOVING THE LIGHT CIRCUIT BOARD ASSEMBLY

1. Using a 1/4 in (0.64 cm) nut driver, carefully remove the four retainer nuts from the light assembly (see illustration on next page). Place the nuts aside for reinstallation.
2. Unplug the two connector plugs from the circuit board. Lift up the circuit board and remove it from the light housing base.
3. Carefully lift off the old thermal strips from the base of the light housing base and discard.



4. Place the two new thermal strips (provided) over the circuit board studs in the base of the light housing.
5. Place the light circuit board over the base studs and seat the circuit board on top of the thermal strips. Be sure the two connecting wires are not caught between the housing and the edge of the circuit board.
6. Using a 1/4 in (0.64 cm) nut driver, tighten each of the four retaining nuts to a torque value of 6.0 (minimum) to 8.0 (maximum) in-lbs to secure the circuit board. **DO NOT OVERTIGHTEN THE CIRCUIT BOARD NUTS.**

INSTALLING THE INTELLIBRITE® POOL LIGHT ASSEMBLY WITH NEW GASKET AND UNI-TENSION WIRE CLAMP (See step 1 on next page)



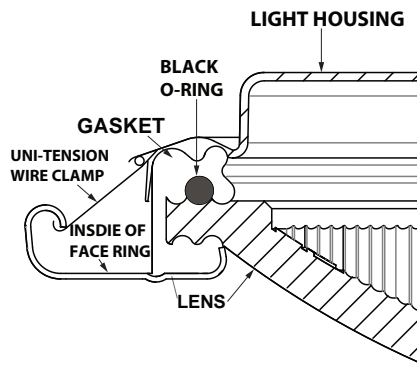
WARNING Be sure to install ALL of the four retaining nuts. These nuts ensure proper electrical ground. Failure to install all of the retaining nuts could create an electrical hazard which could result in death or serious injury to pool users, installers or others due to electrical shock.

Continue on next page.

INSTALLING THE INTELLIBRITE® POOL LIGHT ASSEMBLY WITH NEW GASKET AND UNI-TENSION WIRE CLAMP (Continued)

1. **INSTALL NEW GASKET ONTO LENS:** Stretch the gasket around the circumference of the lens. Be sure the gasket is installed evenly around the lens.

IMPORTANT NOTE: Install the gasket so that the flat edge side of the gasket is towards the inner surface of the face ring and the Black embedded o-ring must be between the lens and the light housing.
Note: The letters **TOP** are embossed on the flat edge side of the gasket.



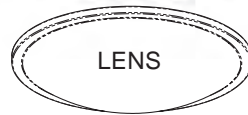
2. **ALIGN THE LENS/GASKET ON TO THE LIGHT HOUSING:**

a) With the light housing resting on its base, place the lens/gasket on top of the light housing.

b) Rotate the lens/gasket to align the letter "W" ("WIDE" angle) on the lens with the brass nut in the housing (see diagram on page 17 for brass nut location).

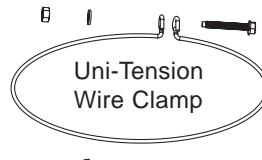


Gasket (Flat edge towards the face ring - TOP is embossed on the top side of the gasket)

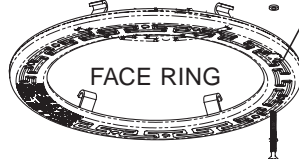


3. **INSTALL THE FACE RING:**

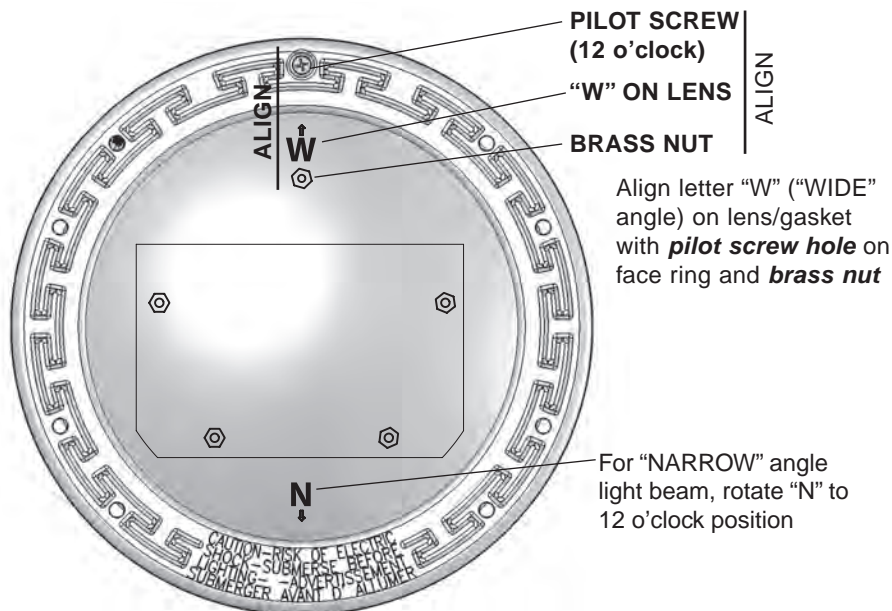
Place the face ring on top of the lens/gasket/housing. Rotate the face ring so the **pilot screw hole** is aligned in the 12 o'clock position, with the lens letter "W" (or "N") and the brass nut in the housing. Also, verify the "TOP" position arrow indicator label (see page 17) on the rear of the housing is aligned with the pilot screw on the face ring.



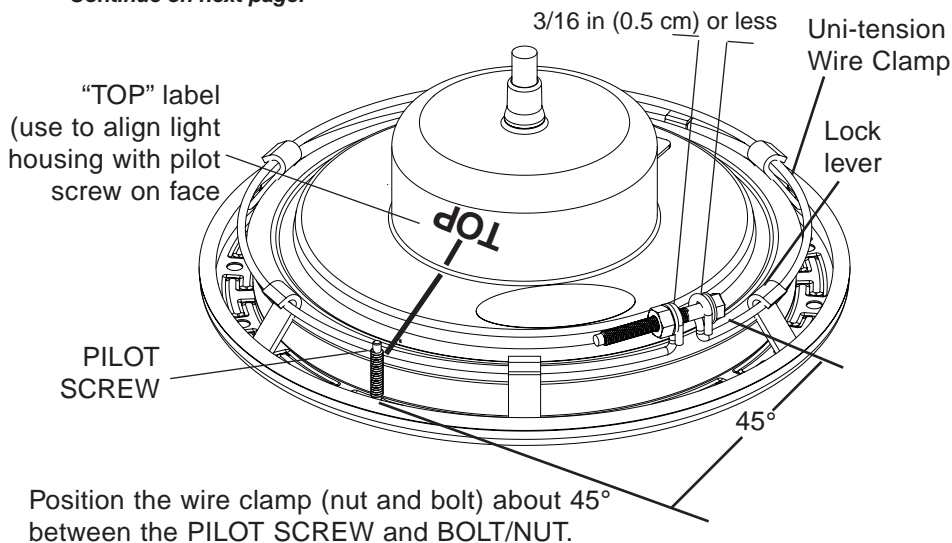
Gasket flat edge is towards the inner surface of face ring



Note: The IntelliBrite light lens ships from the factory in the 'WIDE' (W) angle position. The "wide" position of the lens is typically used for lights located either side of the pool. The "narrow" position of the lens is typically used for lights located either end of the pool. To use the "NARROW" angle light beam, rotate the lens/gasket to align the letter "N" on lens. Note: For more information about the "WIDE" and NARROW angle lens position, see page 19.



- INSTALL UNI-TENSION WIRE CLAMP:** With the hook ends of the circular Uni-Tension Wire Clamp pointing down, spread the clamp and place it in the "U" recesses of the locking levers. Be sure the hook ends of the clamp are located between the pair of locking levers as shown below and that the wire clamp is properly engaged with all of the lock levers.
 - Place a cloth on the ground to protect the lens. Turn the light over so the lens is resting on the cloth. Be sure the orientation of the wire clamp and the bolt connection is positioned at 45°.
 - Tighten the bolt and nut until both ends meet (touching is optimal). Note: A tolerance distance of 3/16" (4.8 mm) or less between the ends of the clamp.
- Continue on next page.**



7. Coil at least 4 ft (1.22 m) of cord around the light fixture (see page 9). This allows the light to be serviced after the pool is filled with water.
8. Connect the three light wires to the corresponding light circuit wires in the Junction Box. Connect the black wire to power, white wire to common, and the green wire to ground. Secure the Junction Box cover.
9. Install the light assembly into the pool niche. **IMPORTANT: Be sure to insert the TAB on the lower part of the face ring into the niche SLOT (located on the lower part of the niche). This is important to secure the lower part of the light assembly onto the niche before tightening the pilot screw.**
10. Carefully tighten the special bronze (or stainless steel) pilot screw to secure the upper part of the light assembly onto the niche.



IntelliBrite Pool Light

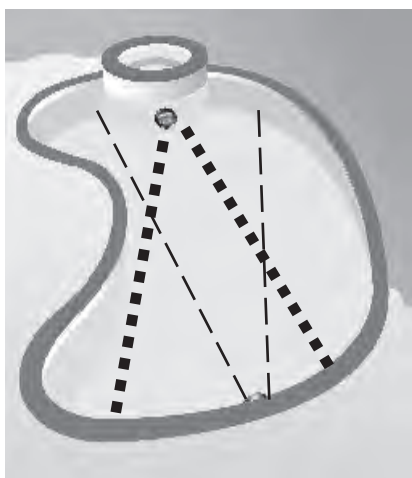
11. **Final check for proper IntelliBrite® Light operation:** Switch on the main switch or circuit breaker to the system and the switch that operates the IntelliBrite light itself. The light should illuminate when power is applied. If not recheck the installation steps starting with Step 1 (page 4).

Wide and Narrow Angle Lens Adjustment

The IntelliBrite® 5G Light lens geometry provides a choice of “wide” or “narrow” angle light beam to suit various size pools. For lights located on either side of the pool, rotate the lens to the ‘wide’ (W) angle position, which will provide a wider angle light beam for greater underwater coverage and light reflection the width of the pool. For lights located either end of the pool, rotate the lens to the ‘narrow’ (N) angle light beam position for increased underwater light intensity and distance. Note: The IntelliBrite light lens ships from the factory in the ‘WIDE’ (W) angle position.



**WIDE ANGLE LIGHT BEAM
(FOR SIDES OF POOL)**



**NARROW ANGLE LIGHT BEAM
(FOR ENDS OF POOL)**

IntelliBrite® 5G Pool Light Assembly Replacement Kit Part Numbers

Note: A 120 VAC to 12 VAC external transformer is required for the 12 VAC model IntelliBrite pool white light. See page 1 for more information.

IntelliBrite 5G Pool Light Assembly (UL/CAS listing)		
Product Model	Voltage	Cord Length (feet/mm)
601105	12 V	30 ft (9.2 m)
601106	12 V	50 ft (15.2 m)
601107	12 V	100 ft (30.5 m)
601108	12 V	150 ft (45.7 m)
601205	12 V	30 ft (9.2 m)
601206	12 V	50 ft (15.2 m)
601207	12 V	100 ft (30.5 m)
601208	12V	150 ft (45.7 m)
601300	120 V	30 ft (9.2 m)
601305	12 V	30 ft (9.2 m)
601306	12 V	50 ft (15.2 m)
601307	12 V	100 ft (30.5 m)
601308	12 V	150 ft (45.7 m)

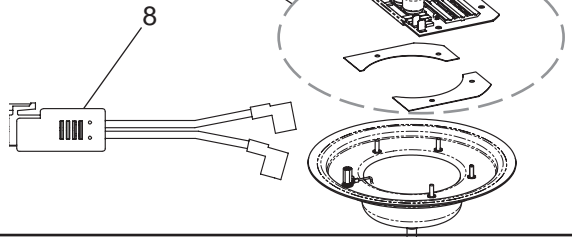
IntelliBrite® Pool Light Assembly Replacement Kit Part Numbers

5G White Pool Light (UL/CSA)	5G Color Pool Light (UL/CSA)
Model/Voltage/Cord (Ft.)	Model/Voltage/Cord (Ft.)
601100/120V/30'	601000/120V/30' UL
601101/120V/50'	601001/120V/50' UL
601102/120V/100'	601002/120V/100' UL
601103/120V/150'	601003/120V/150' UL
601104/120V/250'	601004/120V/250' UL
601105/12V/30'	601010/12V/30' UL
601106/12V/50'	601011/12V/50' UL
601107/12V/100'	601012/12V/100' UL
601108/12V/150'	601013/12V/150' UL
601200/120V/30'	602000/120V/30' CSA
601201/120V/50'	602001/120V/50' CSA
601202/120V/100'	602002/120V/100' CSA
601203/120V/150'	602003/120V/150' CSA
601204/120V/250'	602004/120V/250' CSA
601205/12V/30'	602010/12V/30' CSA
601206/12V/50'	602011/12V/50' CSA
601207/12V/100'	602012/12V/100' CSA
601208/12V/150'	602020/12V/10' CE
601300/120V/30'	
601301/120V/50'	
601302/120V/100'	
601303/120V/150'	
601304/120V/250'	
601305/12V/30'	
601306/12V/50'	
601307/12V/100'	
601308/12V/150'	

Note: A 120 VAC to 12 VAC external step-down transformer is required for the 12 VAC model IntelliBrite 5G pool light. See page 1 for more information.

Note: Feet to metric conversion:

- 10 ft = (3.1 m)
- 30 ft = (9.2 m)
- 50 ft = (15.2 m)
- 100 ft = (30.5 m)
- 150 ft = (45.7 m)
- 250 ft = (76.2 m)



Item No.	Kit Part No.	Description
2, 3, 5	600095	Face Ring assembly, stainless steel. - Uni-tension wire clamp assembly. - Gasket, 8-3/8 in (20.9 cm) diameter, silicon.
4, 3	619864Z	Replacement Lens Kit. - Gasket, 8-3/8 in (20.9 cm) diameter, off white, - Uni-Tension Wire Clamp Assembly.
3, 5, 7	619875Z (UL) (300W), 619916 Z (400W), 619917Z (500W) 619818Z (color - standard) - 620366Z (RGB/Royal Blue)	PCBA Kit Replacement kit includes: Circuit Board, Thermal Strips (2x). - Uni-tension wire clamp assembly. - Gasket, 8-3/8 in (20.9 cm) silicon diameter, off white.
1	79104800	Pilot screw (bronze), with captive gum washer
1	619355	Pilot Screw, Stainless Steel
5	620400Z	Gasket, 8-3/8 in (20.9 cm) diameter, silicone.
8	620276	Fuse Harness Kit (For 12 V lights only)

Note: The 120 VAC IntelliBrite pool light has an integrated 12 VAC transformer.

Replacing the IntelliBrite® Spa Light Gasket (in an existing pool)

Note: When replacing an IntelliBrite 5G Spa light assembly, a new spa light assembly includes a light engine, lens, gasket, uni-tension wire clamp, and face ring (for part numbers, see page 25).

⚠ DANGER



DANGER!

RISK OF ELECTRICAL SHOCK OR ELECTROCUTION

Always disconnect power to the pool light at the circuit breaker before servicing the light. Failure to do so could result in death or serious injury to installer, pool professional, pool users, or others due to electrical shock.

1. **Turn off main electrical switch or circuit breaker**, as well as the switch which operates the IntelliBrite underwater light itself.

Note: DO NOT service the light while in the pool water. Service the light on the deck.

⚠ WARNING

Always install a new lens gasket (P/N 79108600) and uni-tension wire clamp. Whenever disassembling the IntelliBrite light assembly. Failure to do so may permit water to leak into the assembly which could cause: **(a)** an electrical hazard resulting in death or serious injury to pool users, installers, or others due to electrical shock, or **(b)** breakage of the lens, which likewise could result in serious injury to pool users, installers, or bystanders, or in damage to property.

**Pilot screw (bronze
or stainless steel)**



IntelliBrite 5G Spa Light

2. **REMOVING THE INTELLIBRITE SPA LIGHT:** Remove the pilot screw at top of face ring, remove the light assembly from the niche. **Place the assembly on the deck.** **Note:** It is not necessary to drain down the pool.

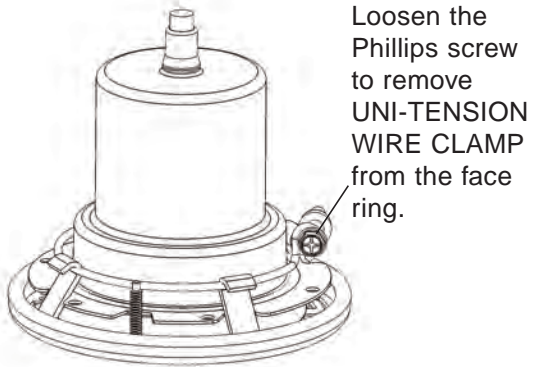
⚠ WARNING

Be sure to keep the pilot screw from the IntelliBrite light. This screw mounts and electrically grounds the housing securely to the mounting ring and wet niche. Failure to use the screw provided could create an electrical hazard which could result in death or serious injury to pool users, installers or others due to electrical shock.

- Using a #3 Phillips head screwdriver, loosen the CLAMP SCREW and remove Uni-Tension Wire Clamp from the face ring.
- Remove the face ring and Uni-Tension Wire Clamp from the light housing. Discard the Uni-Tension Wire Clamp. Save the face ring for reinstallation.

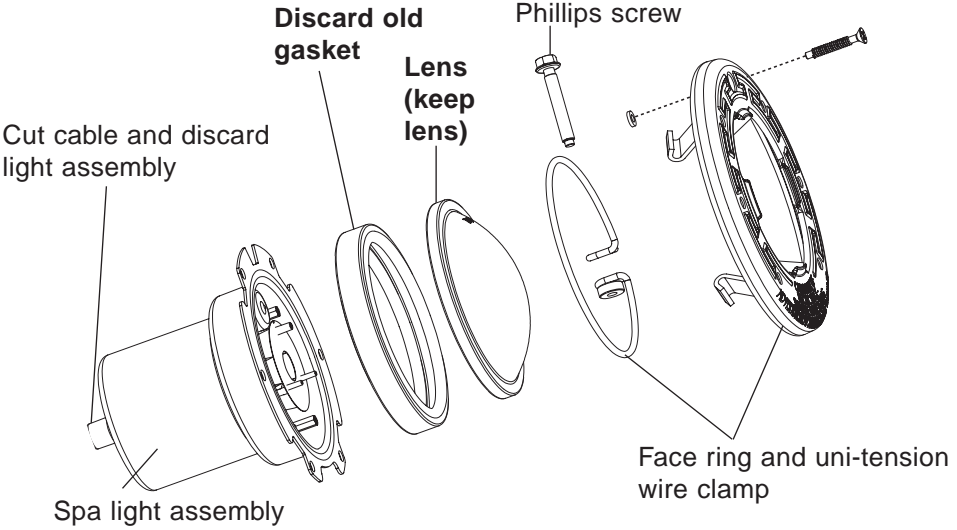
Note: A 120 VAC to 12 VAC external transformer is required for the 12 VAC model IntelliBrite® Spa Light. See page 1 for more information.

Note: The IntelliBrite Spa Light fixture is a sealed light assembly with no replaceable circuit board assembly. Only the lens, gasket and face ring can be removed from the sealed light assembly for replacement. See page 25 for replacement kit part numbers.

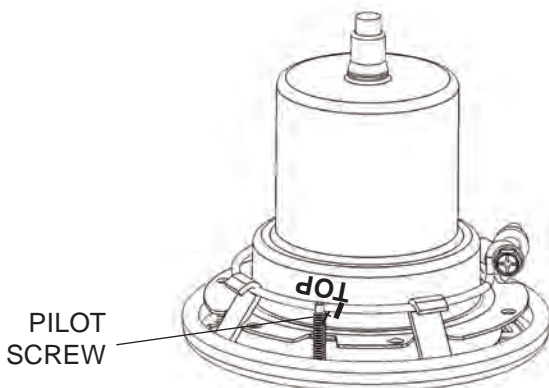


Spa light fixture with lens, gasket and face ring attached

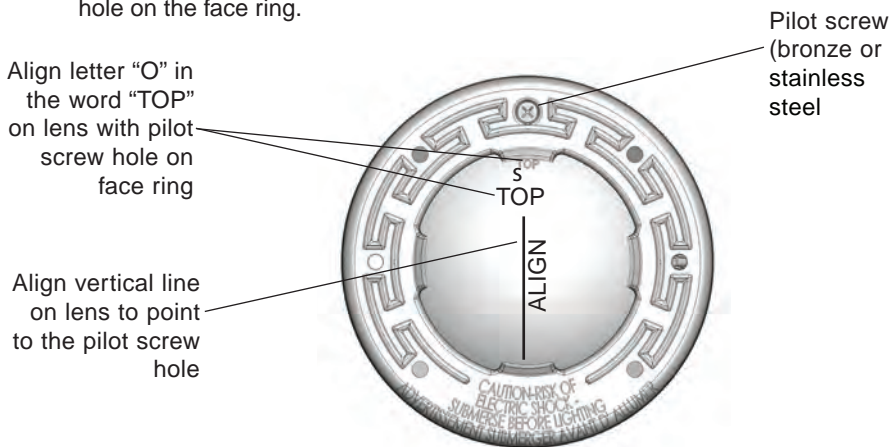
- With the light assembly resting on its base on the deck, carefully pry off the gasket to release the lens. Discard the gasket. A NEW LENS GASKET AND UNI-TENSION WIRE CLAMP MUST BE INSTALLED EACH TIME THE SPA LIGHT IS REASSEMBLED



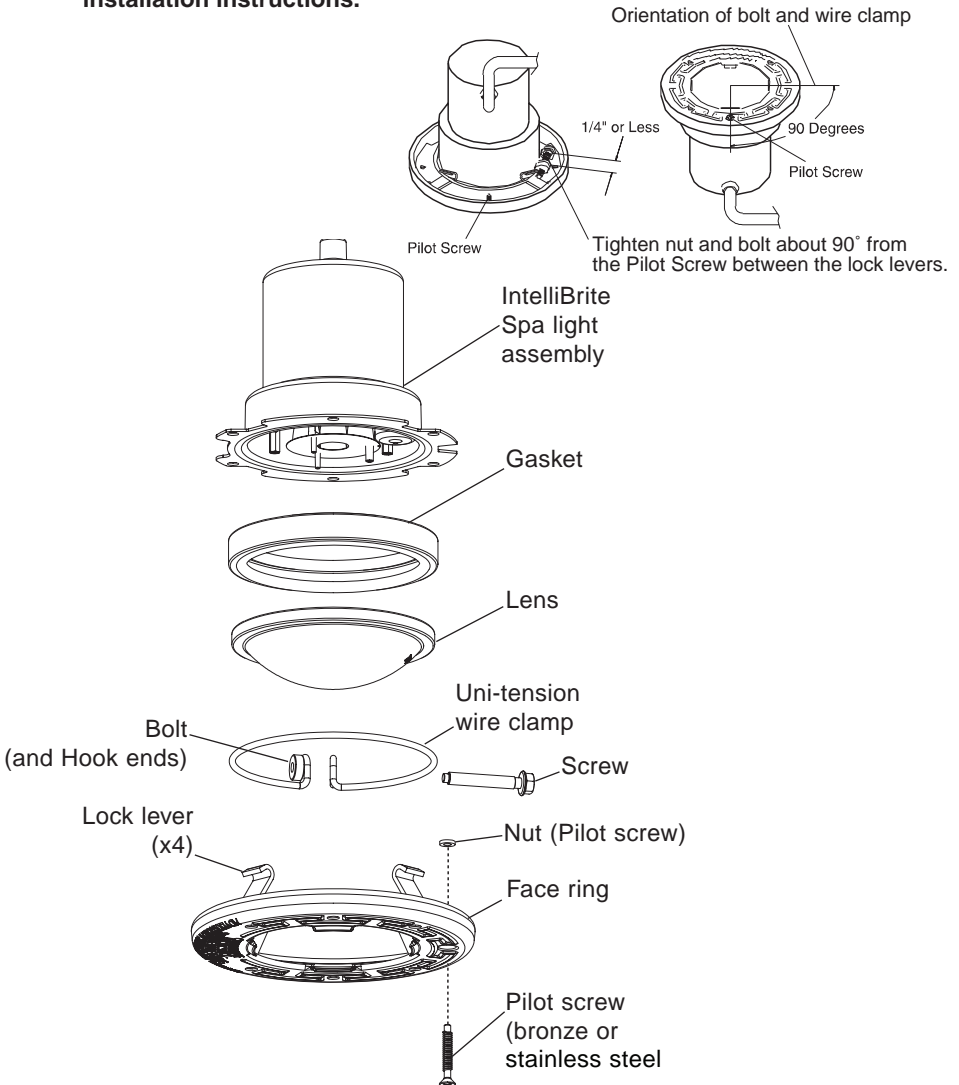
6. **INSTALLING THE INTELLIBRITE® SPA LIGHT WITH NEW GASKET AND UNI-TENSION WIRE CLAMP:** Install a new gasket and uni-tension wire clamp when assembling the IntelliBrite spa light assembly. A NEW LENS GASKET AND UNI-TENSION WIRE CLAMP MUST BE INSTALLED EACH TIME THE LIGHT IS REASSEMBLED.
7. **Install the new gasket onto the lens:** With the light housing resting on its base, place the lens then the gasket on top of the light housing.
8. **INSTALL FACE RING:** Place the face ring on top of the lens/gasket/housing. Rotate the light housing to align the “TOP” position arrow indicator label on the rear of the housing is aligned with the pilot screw on the face ring. Place the face ring on top of the gasket. Make sure that the lens and gasket are centered correctly on the light housing.



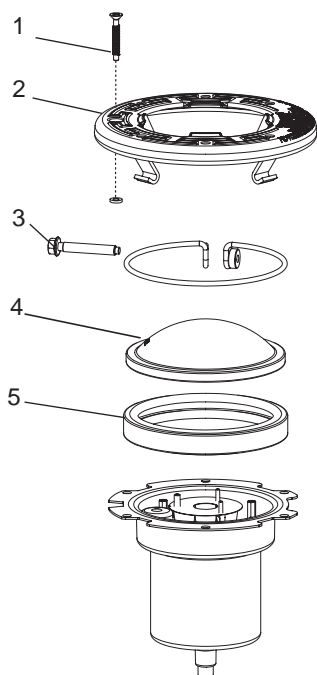
9. **Aligning the face ring and lens:** Align the face ring and vertical line on the lens so that the letter “O” in the word “TOP” and the small arrow above it on the surface of the lens points to the 12 o’clock position and with pilot screw hole on the face ring.



11. **INSTALL THE NEW UNI-TENSION WIRE CLAMP:** With the hook ends of the circular uni-tension wire clamp pointing down, spread the clamp and place it in the "U" recesses of the locking levers. Be sure the hook ends of the clamp are located between the pair of locking levers as shown below and that the wire clamp is properly engaged with all of the lock levers.
12. Place a cloth on the deck to protect the lens. Turn the light over so the lens is resting on the cloth. Be sure the orientation of the wire clamp and the bolt connection is positioned at 90°. Tighten the bolt and nut until the distance between the ends of the clamp equals 1/4 in (0.64 cm) or less.
13. **PROCEED TO "Installing the IntelliBrite® 5G Pool and Spa Light Fixture (after electrical requirements are met)" on page 4 for spa light fixture installation instructions.**



IntelliBrite® 5G Spa Light Replacement Kit Numbers



IntelliBrite® 5G Color Spa Light Assembly (Listing UL/CSA)

Product Model	Voltage	Cord Length (feet/mm)
---------------	---------	-----------------------

640120	120 V	30 ft (9.2 m)
640121	120 V	50 ft (15.2 m)
640122	120 V	100 ft (30.5 m)
640123	120 V	150 ft (45.7 m)
640124	120V	250 ft (76.2 m)
640130	12 V	30 ft (9.2 m)
640131	12 V	50 ft (15.2 m)
640132	12 V	100 ft (30.5 m)
640133	12 V	150 ft (45.7 m)
*640125	120 V	150 ft (45.7 m)
*640135	12 V	150 ft (45.7 m)

Note: (*) RGB/Royal Blue

IntelliBrite® 5G White Spa Light Assembly (Listing UL/CSA)

Product Model	Voltage	Cord Length (feet/mm)
---------------	---------	-----------------------

640140	120 V	30 ft (9.2 m)
640141	120 V	50 ft (9.2 m)
640142	120 V	100 ft (9.2 m)
640143	120 V	150 ft (9.2 m)
640144	120 V	250 ft (9.2 m)
640150	12 V	30 ft (9.2 m)
640151	12V	50 ft (9.2 m)
640152	12 V	100 ft (9.2 m)
640153	12V	150 ft (9.2 m)

Item No.	Kit Part No.	Description
2,3,5	640045	Face ring assembly, stainless steel - Uni-tension wire clamp assembly - Gasket, 4 in (10.2 cm) diameter, off white
4,3,5	640046	Gasket, 4 in (10.2 cm) diameter, off white - Uni-Tension Wire Clamp Assembly - Lens, IntelliBrite, Spa, 4 in (10.2 cm) diameter, tempered
1	79104800	Pilot screw, with captive gum washer
1	619355	Pilot screw, stainless steel
5	79108600	Gasket, 4 in (10.2 cm) diameter, silicone

Note: A 120 VAC to 12 VAC external step-down transformer is required for the 12 VAC model IntelliBrite spa light. See page 1 for more information.

NOTES

NOTES



1620 HAWKINS AVE., SANFORD, NC 27330 • (919) 566-8000
10951 WEST LOS ANGELES AVE., MOORPARK, CA 93021 • (805) 553-5000
www.pentair.com

All Pentair trademarks and logos are owned by Pentair or one of its global affiliates. Pentair Aquatic Systems™, IntelliBrite™, IntelliTouch®, EasyTouch® and SunTouch® are trademarks and/or registered trademarks of Pentair Water Pool and Spa, Inc. and/or its affiliated companies in the United States and/or other countries. Unless expressly noted, names and brands of third parties that may be used in this document are not used to indicate an affiliation or endorsement between the owners of these names and brands and Pentair Water Pool and Spa, Inc. Those names and brands may be the trademarks or registered trademarks of those third parties. Because we are continuously improving our products and services, Pentair reserves the right to change specifications without prior notice. Pentair is an equal opportunity employer.

© 2019 Pentair Water Pool and Spa, Inc. All rights reserved. This document is subject to change without notice.



P/N 620278 Rev. C 2/2019



PENTAIR WATER POOL AND SPA, INC.

1620, HAWKINS AVE., SANFORD, NC 27330 • + 1-919-566-8000

10951, WEST LOS ANGELES AVE., MOORPARK, CA 93021 • + 1-805-553-5000

WWW.PENTAIR.COM

Toutes les marques et tous les logos de Pentair sont la propriété de Pentair, Inc. Pentair Aquatic Systems®, IntelliBrite®, EasyTouch®, IntelliTouch® et SunTouch® sont des marques de commerce ou des marques déposées de Pentair Water Pool and Spa, Inc. ou de ses sociétés affiliées aux États-Unis ou dans d'autres pays. Sauf indication expressément contraire, les noms et les marques de tiers qui peuvent être utilisés dans le présent document ne sont pas utilisés pour indiquer une affiliation ou une approbation entre les propriétaires de ces marques et Pentair Water Pool and Spa, Inc. Ces noms et ces marques peuvent être des marques de commerce ou des marques déposées de ces tiers. Parce que nous améliorons constamment nos produits, Pentair se réserve le droit de changer ses caractéristiques sans avis préalable. Pentair offre l'égalité d'accès à l'emploi.

© 2019 Pentair Water Pool and Spa, Inc. Tous droits réservés. Ce document peut être modifié sans avis préalable.



N/P 620278 RÉV. C 2/2019



INTELLIBRITE® 5G

LUCES PARA PISCINAS Y SPA BLANCAS Y DE COLOR



GUÍA DE INSTALACIÓN Y DE USUARIO

INSTRUCCIONES DE SEGURIDAD IMPORTANTES
LEA Y SIGA TODAS LAS INSTRUCCIONES
GUARDE ESTAS INSTRUCCIONES

Asistencia técnica: Teléfono: (800) 831-7133 - Fax: (800) 284-4151

www.pentair.com

Índice

ADVERTENCIAS E INSTRUCCIONES DE SEGURIDAD IMPORTANTES.....	iii-iv
Descripción general de las luces para piscinas y spa IntelliBrite 5G	1
Operación de las luces para piscinas y spa IntelliBrite mediante un interruptor de pared (12 VCA)	1
Uso de un transformador externo para varias luces IntelliBrite de 12 VCA	1
Alimentación de las luces IntelliBrite 5G	2
Selección de un modo de exhibición de luces o de color fijo	2
Reemplazo del ensamblaje de luces para piscinas y spa IntelliBrite 5G (en una piscina existente/una vez cumplidos los requisitos eléctricos)	3/4
Instalación del accesorio de luces para piscinas y spa IntelliBrite 5G (construcción de nueva piscina/una vez cumplidos los requisitos eléctricos)	6/10
Reemplazo del mazo de cables de fusibles de las luces para piscinas (12 V) IntelliBrite 5G	11
Reemplazo del ensamblaje de placa de circuitos de las luces para piscinas IntelliBrite 5G (en una piscina existente)	12
Ajuste de lentes de ángulo abierto y cerrado	19
Número de pieza de los kits de reemplazo de luces para piscinas IntelliBrite 5G	19
Reemplazo del aro y el empaque (N/P 640045) o del empaque y la lente (640046) de las luces para spa IntelliBrite	21
Números de pieza de los kits de reemplazo de luces para spa IntelliBrite 5G	25

Lea la siguiente advertencia antes de instalar luminarias:



ADVERTENCIA Instale siempre un nuevo ensamblaje de abrazadera de cables de tensión única y un nuevo empaque de lentes cuando vuelva a montar el ensamblaje de luces. (vea la página 20). De no hacerlo, podría haber fugas de agua hacia el interior del ensamblaje que podrían causar: (a) un peligro eléctrico que dé como resultado la muerte o una lesión grave por electrocución a los usuarios o el instalador de la piscina o a otras personas, o bien (b) roturas en lámparas o lentes que, de manera similar, den como resultado lesiones graves a los usuarios, a instaladores o a personas en las inmediaciones de la piscina o daños a la propiedad.

PARA LUMINARIAS DE 12 VCA: SIEMPRE USE UN TRANSFORMADOR REDUCTOR INDEPENDIENTE PARA ALIMENTAR LAS LUMINARIAS. VEA EL DIAGRAMA EN LA PÁGINA 9. Nota: conecte los tres cables a los cables del circuito correspondiente en la caja de conexiones (cable negro a la alimentación, cable blanco a común, cable verde a tierra).

ESPECIFICACIONES DE LUMINARIAS DE 12 VCA: 12 VCA, 50/60 Hz. REEMPLACE CUALQUIER ESCUDO PROTECTOR AGRIETADO (LENTE AGRIETADA) CON UNA LENTE Y EMPAQUE NUEVOS.



PRECAUCIÓN **LAS LUCES LED PARA PISCINAS Y SPA INTELLIBRITE 5G NO SE PUEDEN UTILIZAR EN UN CIRCUITO CON ATENUADOR. EL USO DE UN INTERRUPTOR ATENUADOR DARÁ COMO RESULTADO DAÑOS PERMANENTES EN LAS LUCES.**

INSTRUCCIONES IMPORTANTES DE ADVERTENCIA Y SEGURIDAD

PELIGRO

NO INSTALAR Y UTILIZAR ESTA LÁMPARA CORRECTAMENTE PUEDE CAUSAR LESIONES FÍSICAS O LA MUERTE.

PELIGRO

LOS INSTALADORES, OPERADORES Y PROPIETARIOS DE LA PISCINA DEBEN LEER ESTAS ADVERTENCIAS Y TODAS LAS INSTRUCCIONES ANTES DE USAR LAS LUCES PARA PISCINAS Y/O SPA.

ADVERTENCIA

La mayoría de los códigos locales y estatales regulan la construcción, la instalación y la operación de spas y piscinas públicas, así como la construcción de spas y piscinas residenciales. Es importante cumplir con esos códigos, muchos de los cuales regulan directamente la instalación y el uso de este producto. Consulte sus códigos de construcción y salud regionales para obtener más información.



AVISO IMPORTANTE. Atención del instalador: esta Guía de instalación y de usuario ("Guía") contiene información importante sobre la instalación, el funcionamiento y el uso seguros de esta lámpara sumergible para piscinas y spa. Se le debe proporcionar esta Guía al dueño u operador del equipo.

ADVERTENCIA

Antes de instalar este producto, lea y siga todas las instrucciones y preste atención a las advertencias que se incluyen en esta Guía. No seguir las instrucciones ni prestar la debida atención a las advertencias puede ocasionar daños a la propiedad, lesiones graves e incluso la muerte.

Llame al (800) 831-7133 para obtener copias adicionales y gratuitas de las instrucciones. Visite www.pentairpool.com para obtener más información sobre estos productos.

PELIGRO



RIESGO DE DESCARGAS ELÉCTRICAS O DE ELECTROCUCIÓN:

LAS LUCES PARA PISCINAS Y SPA INTELLIBRITE® REQUIEREN ALTO VOLTAJE QUE PUEDE CAUSAR ELECTROCUCIÓN, QUEMADURAS O LA MUERTE.

ANTES DE TRABAJAR CON LAS LUCES PARA PISCINAS Y SPA, siempre desconecte la alimentación de las luces de la piscina o el spa en el disyuntor antes de hacer el mantenimiento de las luces. El no hacerlo puede dar como resultado la muerte o lesiones serias a la persona que realiza el mantenimiento, a los usuarios de la piscina o a terceros debido a un choque eléctrico.

Estas luces subacuáticas deben ser instaladas por un electricista certificado o con licencia, o por un profesional calificado en piscinas de conformidad con el Código Eléctrico Nacional (NEC, por sus siglas en inglés) vigente, NFPA 70 o con el Código Eléctrico Canadiense (CEC, por sus siglas en inglés), CSA C22.1. Además, deben respetarse todos los códigos de instalación y las ordenanzas locales aplicables. Toda instalación incorrecta representa un peligro eléctrico que podría dar como resultado la muerte o una seria lesión a los usuarios de la piscina, instaladores o terceros debido a un choque eléctrico, y también podría causar daños a la propiedad. Siempre desconecte la alimentación de la lámpara de la piscina desde el disyuntor antes de realizar el mantenimiento de la lámpara. El no hacerlo podría resultar en muerte o lesiones serias a la persona que realiza el mantenimiento, a los usuarios de la piscina o a terceros debido a una descarga eléctrica.

ADVERTENCIA

Información importante de seguridad para la instalación de nichos y luces Pentair Water Pool and Spa

- Todas las instalaciones de nichos y luces deben respetar todos los códigos. Si los códigos locales exigen un sello de cable, use nichos plásticos Pentair Water Pool and Spa (N/P 79206600 y N/P 79206700) y el kit de sello de cable (N/P 670044).
- En **ninguna circunstancia** reemplace las luces con empalmes de cable debajo del agua o detrás del nicho.



LEA Y SIGA TODAS LAS INSTRUCCIONES DE ESTE MANUAL.

INSTRUCCIONES IMPORTANTES DE ADVERTENCIA Y SEGURIDAD



RIESGO DE ELECTROCUCIÓN Y LESIONES. USE ÚNICAMENTE MÉTODO DE INSTALACIÓN ESPECIFICADO MÁS ADELANTE.

Ubicación y uso de las luminarias	Accesorio de Pentair Water Pool and Spa para fuentes* (N/P 560001 y N/N 560000)	Método de instalación requerido
Piscina y spa	Luminaria (luz) para piscina (o spa) con nicho mojado	Carcasa del accesorio (coraza moldeada) ÚNICAMENTE. NO USE un soporte para accesorios de fuente.
Fuente	Luminaria (luz) sumergible para nicho mojado Luminaria (luz) para piscinas (o spa)	Carcasa del accesorio (coraza moldeada) o Soporte para accesorios de fuente

(*) **Nota:** las luminarias para nichos mojados que cumplen con los requisitos para ambos usos pueden tener la marca de seguridad UL para luminarias sumergibles para nichos mojados. UL considera que una luminaria que no tenga la marca de seguridad UL correspondiente no se ha producido de acuerdo con la lista y el servicio de seguimiento de UL para el tipo de ubicación y uso asociados.

PRECAUCIÓN - El accesorio de luces IntelliBrite® 5G solo debe usarse con carcasas (nichos) para accesorios de Pentair Water Pool and Spa. Si el accesorio de luces IntelliBrite se instala en otros nichos, la instalación no contará con la aprobación de UL y se anularán todas las garantías.

AVISO: el cable flexible externo de esta luminaria no se puede reemplazar; si el cable se daña, se deberá destruir la luminaria.



Para países que cumplen con las normas regulatorias de la Comisión Electromecánica internacional (IEC, por sus siglas en inglés): el accesorio

de luces debe ser instalado por un electricista certificado o con licencia o por una persona calificada para el mantenimiento de piscinas, de conformidad con la norma IEC 364-7-702 y todos los códigos y las ordenanzas locales aplicables. Una instalación incorrecta representa un peligro eléctrico que podría dar como resultado la muerte o una seria lesión a los usuarios de la piscina, instaladores o terceros debido a un choque eléctrico, y también podría causar daños a la propiedad.



La sal es un material intrínsecamente corrosivo. Aunque los niveles de sal requeridos para el funcionamiento correcto de un clorinador electrónico son relativamente bajos en comparación con el agua de mar y otras soluciones para sal, el agregado de cualquier cantidad de sal en la piscina aumenta la probabilidad de corrosión u otro deterioro de los equipos de la piscina y de todas las superficies utilizadas alrededor de la piscina. Las piezas metálicas y ciertas superficies naturales y artificiales son especialmente susceptibles a la corrosión y al deterioro cuando se usan dentro y alrededor de piscinas con agua salada. Pentair no afirma ni garantiza de manera alguna que el uso correcto de un clorinador electrónico impedirá la corrosión u otro deterioro de equipos de piscina y de las superficies utilizadas dentro y alrededor de piscinas. Consulte con un profesional con experiencia en piscinas que podrá aconsejarle sobre la selección de los materiales correctos, las técnicas de instalación para esos materiales y el uso, el cuidado y el mantenimiento correctos de esos materiales para el tipo y la ubicación específicos de su piscina con el fin de minimizar la corrosión y el deterioro inherente dentro y alrededor de las piscinas con agua salada.

LUMINARIAS FIJAS PARA PISCINAS Y SPA: siga estas pautas para instalar, reemplazar o reparar luminarias fijas para piscinas y spa de Pentair Aquatic Systems:

- REEMPLACE CUALQUIER ESCUDO PROTECTOR AGRIETADO (LENTE AGRIETADA) CON UNALENTE Y EMPAQUETADURA NUEVAS. PARA MÁS INFORMACIÓN, VEA LA PÁGINA 11.
- PARA CONTROLAR LAS LÁMPARAS, UTILICE ÚNICAMENTE UN TRANSFORMADOR DE AISLAMIENTO DE SEGURIDAD.

¡PRECAUCIÓN! Luminarias no adecuadas para el montaje directo sobre superficies normalmente inflamables (adecuadas SOLO para el montaje sobre superficies no combustibles).



Superficie de montaje

Especificaciones de las luminarias fijas para piscinas y spa:

12 VCA 50/60 Hz - 120VCA  50/60 Hz.

Descripción general de las luces para piscinas y spa IntelliBrite® 5G

Este manual describe cómo instalar las luces blancas y de color IntelliBrite 5G para piscinas y las luces blancas y de color IntelliBrite 5G para spa.

Las luces blancas IntelliBrite 5G proporcionan una luz blanca brillante para un efecto espectacular en su piscina y su spa. La geometría de las lentes de las luces blancas IntelliBrite 5G (únicamente luces para piscinas) ofrece la opción de dos formas de haz de luz: cobertura más amplia con menor intensidad o cobertura más estrecha con mayor intensidad.

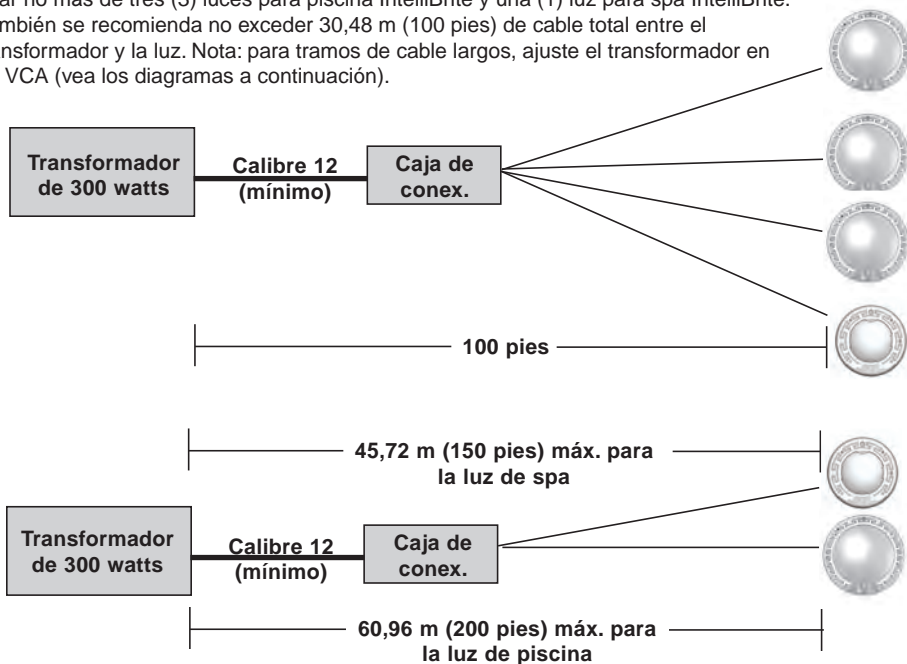
Las luces de color IntelliBrite 5G producen muchos colores vivos y brillantes con efectos espectaculares en su piscina y su spa. Elija uno de los siete espectáculos de luces con programación previa o seleccione uno de los cinco colores fijos para crear una variedad casi interminable de efectos de iluminación bajo el agua que le darán una apariencia espectacular a su piscina o spa.

Operación de las luces para piscinas y spa mediante un interruptor de pared (12 VCA)

Las luces para piscinas y spa IntelliBrite 5G se pueden controlar manualmente mediante un interruptor de luz estándar montado en la pared. Se pueden conectar varias luces IntelliBrite a través de una caja de conexiones a un único interruptor de modo que todas las luces se puedan encender y apagar al mismo tiempo. Además, las luces IntelliBrite se pueden controlar automáticamente mediante sistemas de control Pentair IntelliTouch®, EasyTouch® y SunTouch®. **Nota: también se pueden controlar varias luces para piscina/spa IntelliBrite 5G mediante el controlador IntelliBrite; para más información, vea la página 2.**

Uso de un transformador externo para varias luces IntelliBrite de 12 VCA

Quando se utilizan varias luces IntelliBrite de 12 VCA con un transformador de **300 W** se recomienda usar no más de tres (3) luces para piscina IntelliBrite y una (1) luz para spa IntelliBrite. También se recomienda no exceder 30,48 m (100 pies) de cable total entre el transformador y la luz. Nota: para tramos de cable largos, ajuste el transformador en 14 VCA (vea los diagramas a continuación).



Encendido de las luces de color IntelliBrite® 5G

Cuando se encienda la luz IntelliBrite, se emitirá momentáneamente una luz blanca, seguida del color previamente seleccionado. Nota: si la alimentación de la lámpara se corta por más de cinco (5) segundos, se mostrará el último modo de espectáculo de colores o color fijo que se guardó.

Selección de un modo de espectáculo de luces o color fijo

Encienda la alimentación a las luces. Se encenderá una luz blanca momentáneamente, seguida del color seleccionado con anterioridad. Para seleccionar un modo de espectáculo de colores (1-7) o de color fijo (8-12), alterne el interruptor de pared entre encendido/apagado un número específico de veces. Cada número (1-12) que se muestra a continuación corresponde a la cantidad de veces que se debe alternar el interruptor para activar un espectáculo de luces de colores o un color fijo. Para más detalles sobre cómo guardar efectos de color durante los modos de Show (Espectáculo), consulte las funciones "Hold" (Retener) y "Recall" (Recordar) en la página 4. Ejemplo: para seleccionar el California Sunset Mode (modo Atardecer de California); encienda las luces, y apague y encienda seis veces. Durante el proceso de encendido/apagado no habrá iluminación,

Cantidad de veces para reiniciar (1-14)	1	SAm Mode (Modo Sam): Recorre los colores blanco, magenta, azul y verde (emula la luz de varios colores Pentair SAm®).	Cantidad de veces para reiniciar (1-14)	6	California Sunset Mode (Modo de atardecer de California): Transiciones espectaculares entre tonos de naranja, rojo y magenta.
	2	Party Mode (Modo fiesta): Cambio de colores muy veloz que energiza y entusiasma.		7	Royal Mode (Modo real): Colores más ricos y profundos.
	3	Romance Mode (Modo romántico): Transición lenta entre colores para dar un efecto cautivante y relajante.		8	Blue (Azul): Color fijo.
	4	Caribbean Mode (Modo caribeño): Transición entre una variedad de azules y verdes.		9	Green (Verde): Color fijo.
	5	American Mode (Modo americano): Transición patriota entre rojo, blanco y azul.		10	Red (Rojo): Color fijo.
				11	White (Blanco): Color fijo.
				12	Magenta: Color fijo.
				13	Hold (Retener): Guardar el efecto de color actual durante un espectáculo de luces de color.
				14	Recall (Recordar): Activar el último efecto de color guardado.

Cómo guardar un modo de color o color fijo: cuando se apagan las luces de color IntelliBrite, se guardará el último modo de espectáculo de color o color fijo. La próxima vez que se encienda la luz, se mostrará el modo de espectáculo de colores o color fijo que se guardó anteriormente. Por ejemplo, mientras está en modo Party (Fiesta) apague la lámpara. Espere más de 10 segundos, vuelva a encender la lámpara para reanudar el modo Party (Fiesta).



ADVERTENCIA Durante el proceso de alternación encendido/apagado, antes de que aparezca el color seleccionado, no habrá iluminación durante un breve segundo.

Este modo de operación es normal durante el proceso de conmutación. Durante este período, la piscina y el spa estarán oscuros y habrá que tomar precauciones para evitar accidentes imprevistos. Si no se respeta esta advertencia, los usuarios de la piscina o el spa pueden experimentar lesiones graves o la muerte.

Uso de un controlador de luces de color IntelliBrite

Con el uso del controlador IntelliBrite (se vende por separado, N/P 600054), las luces de color para piscinas/spa IntelliBrite 5G se pueden sincronizar todas de modo que se puedan encender y apagar luces IntelliBrite individuales o varias de manera simultánea.

Para seleccionar un modo de espectáculo de luces de colores o un modo de color fijo, gire el disco selector de modo tal que señale la selección deseada.

Función Hold (Retener) y Recall (Recordar): Cuando las luces de color IntelliBrite se enciendan, se mostrará el color seleccionado anteriormente, a menos que antes se haya habilitado la función Hold (Retener) o Recall (Recordar).

Botón/LED Hold (Retener): Presione este botón (LED encendido) para captar y guardar un efecto de color mientras se muestra uno de los modos de espectáculo de colores. Cuando presione el botón, se encenderá la luz LED para indicar que se captó el efecto de color.

Botón/LED Recall (Recordar): Use este botón (LED encendido) para activar el último efecto de color guardado. Cuando presione el botón, se encenderá la luz LED para indicar que se está mostrando el efecto de color.

Reemplazo del ensamblaje de luces para piscinas y spa IntelliBrite® 5G (en una piscina o un spa existente)

⚠ PELIGRO



¡Riesgo de descargas eléctricas o de electrocución! Estas luces subacuáticas deben ser instaladas por un electricista certificado o con licencia o por un profesional calificado en piscinas de conformidad con el Código Eléctrico Nacional y todos los códigos y las ordenanzas locales aplicables. Toda instalación incorrecta representa un peligro eléctrico que podría dar como resultado la muerte o una seria lesión a los usuarios de la piscina, instaladores o terceros debido a un choque eléctrico, y también podría causar daños a la propiedad. Siempre desconecte la alimentación de la lámpara de la piscina desde el disyuntor antes de realizar el mantenimiento de la lámpara. El no hacerlo podría resultar en muerte o lesiones serias a la persona que realiza el mantenimiento, a los usuarios de la piscina o a terceros debido a una

Verifique que la piscina y el spa cumplan con los requisitos del Código Eléctrico Nacional y todos los códigos y ordenanzas locales vigentes. Un electricista con licencia o certificado debe instalar el sistema eléctrico para cumplir o superar estos requisitos antes de instalar la lámpara sumergible. Algunos requisitos del Código Eléctrico Nacional, que el sistema eléctrico de la piscina debe cumplir, son los siguientes:

- 120 Volts: El circuito de iluminación debe tener un interruptor de circuito con conexión a tierra (GFCI, por sus siglas en inglés) para modelos con voltaje de línea y un disyuntor con la clasificación adecuada. Vea la figura 1 de la página 7.
- La caja de conexiones (o, para los modelos de 12 volts, el transformador de bajo voltaje) debe ubicarse por lo menos a 20.3 cm (8 pulgadas) sobre la línea de nivel máximo de agua y al menos 10.2 cm (4 pulgadas) por debajo del nivel del suelo o del área de la piscina, lo que proporcione la mayor elevación. La caja de conexiones no deberá estar a menos de 1.219 m (48 pulgadas) de distancia de la pared interior de la piscina, a menos que esté separada de ésta por un cerco sólido, una pared u otra barrera permanente. Vea la figura 3 de la página 9.
- Empalme la carcasa del accesorio de nicho a todos los demás elementos metálicos a menos de 1.53 m (5 pies) de distancia de la piscina, usando un cable de unión No. 8 AWG. La conexión de empalme se encuentra en la parte trasera del nicho, vea la figura 3 en la página 9.
- El nicho húmedo está instalado correctamente de modo que el borde de la lente de la luz subacuática queda al menos unas 45.7 cm (18 pulgadas) por debajo de la superficie del agua en la piscina; vea la figura 3 de la página 9.
- Si se usa un conducto no metálico, hay que instalar cable de empalme/conexión a tierra No. 8 AWG mediante el conducto de la caja de uniones, hasta la tuerca de empalme/conexión a tierra dentro del nicho. Selle la conexión del cable/tuerca con un sellador listado, como por ejemplo un sistema de revestimiento o encapsulamiento de epoxi de dos componentes listado en UL o su equivalente, para proteger la conexión de una posible corrosión del agua de la piscina. Vea la figura 3 de la página 9.

Reemplazo del ensamblaje de luces para piscinas y spa IntelliBrite® 5G (después de cumplir con los requisitos eléctricos)

Las instrucciones de desmontaje e instalación a continuación describen cómo desmontar e instalar el ensamblaje de luces para piscinas y spa IntelliBrite. Además, siga estas instrucciones después de completar el siguiente procedimiento de reemplazo de luces:

- **Instrucciones de desmontaje e instalación del empaque del aro del frente y la lente de las luces para spa IntelliBrite (página 19).**

ADVERTENCIA

Si no se ajusta el sistema eléctrico de la piscina o del spa a los requisitos de los códigos antes de instalar la lámpara sumergible, representará un peligro eléctrico que podría dar como resultado la muerte o lesiones serias a los usuarios de la piscina, instaladores o terceros debido a un choque eléctrico y también podría causar daños a la propiedad.

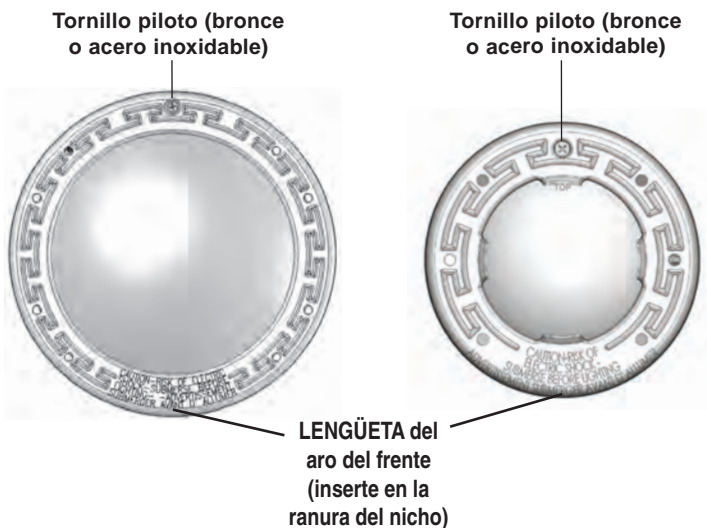
1. **ADVERTENCIA: Desactive el interruptor eléctrico o el disyuntor principal y el interruptor que opera la luz subacuática IntelliBrite.**
2. **Para retirar el ensamblaje del accesorio de luces de la piscina.** Retire el tornillo piloto especial de bronce en la parte superior del aro del frente. Retire el ensamblaje de luces IntelliBrite del nicho y colóquelo sobre el piso.
3. Corte el cable aprox. 30,5 cm (12") de la parte posterior del ensamblaje de luces.
4. Retire la cubierta de la caja de conexiones, desconecte los cables del accesorio de luces y jale del cable a través del conducto. **Sugerencia: antes de tirar del cable, una con cinta el cable nuevo al existente. Esto podría facilitar el paso del nuevo cable a través del conducto (vea el paso siguiente).**
5. Pase el nuevo cable del accesorio de luces a través del conducto del nicho a la caja de conexiones. **Nota:** según la longitud del conducto, se pueden requerir herramientas especiales para jalar del cable a través del conducto.
6. Deje al menos 1,22 m (4') de cable para enroscar alrededor del accesorio de luces. Vea la Figura 3 de la página 9. Estos 1,22 m (4') de cable enroscados alrededor de la luz permiten hacer el mantenimiento de las luces después de que la piscina está llena de agua.
7. Corte el cable en la caja de conexiones y deje al menos 1.27 cm (6") de cable para hacer conexiones.
8. Pele 1.27 cm (6") de la vaina externa del cable para dejar expuestos los tres conductores aislados (tenga cuidado de no dañar el aislamiento de los tres (3) conductores internos). Pele 1,27 cm (1/2") del aislamiento de los tres conductores. Procure no dañar el conductor de cobre.

9. Conecte los tres (o dos) cables de la luz a los cables de los circuitos correspondientes en la caja de conexiones. Para tres cables: conecte el cable negro a la alimentación, el blanco al común y el verde a tierra.
10. Para dos cables: conecte los cables de los circuitos correspondientes (haga coincidir los colores de los cables) en la caja de conexiones. Fije la cubierta de la caja de conexiones.
11. Instale el ensamblaje de luces IntelliBrite® en el nicho de la piscina. Asegúrese de insertar la LENGÜETA de la parte inferior del aro del frente en la RANURA del nicho (ubicada en la parte inferior del nicho). Esto es importante para asegurar la parte inferior del ensamblaje de luces en el nicho antes de apretar el tornillo piloto.
12. Apriete con cuidado el tornillo piloto especial de bronce para asegurar la parte superior del ensamblaje de luces en el nicho.



ADVERTENCIA Use solo el tornillo piloto especial que se proporciona con esta luz subacuática. Este tornillo monta y realiza la conexión eléctrica a tierra segura de la carcasa con el aro de montaje y el nicho mojado. Si no se usa el tornillo que se proporciona se podría crear un riesgo eléctrico que podría dar como resultado la muerte o una lesión grave por electrocución a los usuarios o los instaladores de la piscina o a otras personas.

- **Desactive el interruptor eléctrico o el disyuntor principal y el interruptor que opera la luz subacuática IntelliBrite.**
- **No repare la luz mientras esté en el agua de la piscina. La luz DEBE repararse estando en el área de la piscina fuera del agua.**



Luces para piscinas IntelliBrite 5G

Luces para spa IntelliBrite 5G

13. **Verificación final del funcionamiento correcto de las luces IntelliBrite:** active el interruptor principal o el disyuntor del sistema y el interruptor que opera la luz subacuática IntelliBrite en sí. La luz debe encenderse cuando se aplica energía. De lo contrario, verifique nuevamente los pasos de la instalación a partir del paso 1 (página 4).

INSTALACIÓN DEL ACCESORIO DE LUCES PARA PISCINAS Y SPA INTELLIBRITE® 5G (CONSTRUCCIÓN DE PISCINA NUEVA)

A continuación se describe cómo instalar el accesorio de luces para piscinas IntelliBrite® y el accesorio de luces para spa IntelliBrite®. Lea la página 4 antes de comenzar el procedimiento de instalación.

ANTES DE COMENZAR: los pasos 1-7 que siguen (páginas 9 y 10) describen las tareas que debe realizar el electricista antes de instalar el accesorio de luces IntelliBrite. Vea el diagrama de la figura 3 en la página 9.

ADVERTENCIA

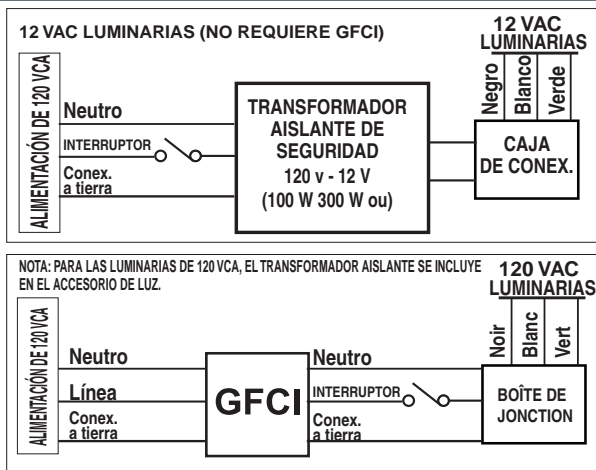
Verifique que la piscina o el spa cumplan con los requisitos del Artículo 680 del Código Eléctrico Nacional (NEC) actual y todos los códigos y ordenanzas locales vigentes. Un electricista con licencia o certificado debe instalar el sistema eléctrico para cumplir o superar estos requisitos antes de instalar la lámpara sumergible. Algunos requisitos del Código Eléctrico Nacional, que el sistema eléctrico de la piscina debe cumplir, son los siguientes:

- 120 Volts: El circuito de iluminación debe tener un interruptor de circuito con descarga a tierra (GFCI) y un disyuntor térmico de circuitos con la capacidad adecuada. Vea la figura 2 de la página 8.
- La caja de conexiones (o, para los modelos de 12 volts, el transformador de bajo voltaje) debe ubicarse por lo menos a 20.3 cm (8 pulgadas) sobre la línea de nivel máximo de agua y al menos 4 pulgadas por debajo del nivel del suelo o del área de la piscina, lo que proporcione la mayor elevación. La caja de conexiones no deberá estar a menos de 1.219 m (48 pulgadas) de distancia de la pared interior de la piscina, a menos que esté separada de ésta por un cerco sólido, una pared u otra barrera permanente. Vea el requerimiento del código NEC 680.24. Vea la figura 3 de la página 9.
- Empalme la carcasa del accesorio de nicho a todos los demás elementos metálicos a menos de 1.524 m (5 pies) de distancia de la piscina, usando un cable de unión No. 8 AWG. La conexión de empalme se encuentra en la parte trasera del nicho, vea la figura 3 en la página 9.
- El nicho húmedo está instalado correctamente de modo que el borde de la lente de la luz subacuática queda al menos unas 45.7 cm (18 pulgadas) por debajo de la superficie del agua en la piscina; vea la figura 3 de la página 9.
- Si se usa un conducto no metálico, hay que instalar cable de empalme/conexión a tierra No. 8 AWG mediante el conducto de la caja de uniones, hasta la tuerca de empalme/conexión a tierra dentro del nicho. Selle la conexión del cable/tuerca con un sellador listado, como por ejemplo un sistema de revestimiento o encapsulamiento de epoxi de dos componentes listado en UL o su equivalente, para proteger la conexión de una posible corrosión del agua de la piscina. Vea la figura 3 de la página 9.

Nota: para asegurarse de que el sistema eléctrico de la piscina o el spa cumpla con todos los requisitos vigentes, el electricista debe consultar también al departamento de construcción local.

Nota: use solo nichos mojados Pentair para asegurar conexiones eléctricas y descargas a tierra correctas.

REQUISITOS DE LA INSTALACIÓN DE LAS LUMINARIAS GFCI 12 VCA (USA)



PARA EL FUNCIONAMIENTO DE LAS LUCES, UTILICE ÚNICAMENTE UN TRANSFORMADOR DE AISLAMIENTO DE SEGURIDAD.
Nota: conecte los tres cables (o dos cables) a los cables de los circuitos correspondientes en la caja de conexiones. Para conexión de tres cables: cable negro a alimentación, cable blanco a común y cable verde a tierra.

Figura 1, USA.

INSTALACIÓN DEL ACCESORIO DE LUCES PARA PISCINAS Y SPA INTELLIBRITE®5G (CONSTRUCCIÓN DE PISCINA NUEVA) CANADA

Verifique que la piscina o el spa cumplan con los requisitos del Canadian Electrical Code (CE) actual y todos los códigos y ordenanzas locales vigentes. Un electricista con licencia o certificado debe instalar el sistema eléctrico para cumplir o superar estos requisitos antes de instalar la lámpara sumergible. Algunos requisitos del Código (CE), que el sistema eléctrico de la piscina debe cumplir, son los siguientes:

- 120 /12 Volts: El circuito de iluminación debe tener un interruptor de circuito con descarga a tierra (GFCI) y un disyuntor térmico de circuitos con la capacidad adecuada. Vea la figura 2 de la página 8.
- El GFCI o un transformador deben ubicarse al menos a 3 metros o más de distancia del borde de la piscina; vea la *NOTA y la figura 2 de la página 8.
- La caja de unión/área de la piscina debe sellarse en el conducto para evitar que entre agua en la caja; vea la figura 2 de la página 8.
- El accesorio de luz y todos los elementos metálicos a menos de 3 metros de la piscina deben tener una conexión eléctrica apropiada.
- Hay que instalar correctamente el nicho de modo que el orificio del tornillo piloto esté en la posición de las 12 en punto y que la línea central de las lentes de la luz subacuática esté a una profundidad máxima de 600 mm por debajo de la superficie del agua en la piscina; vea la figura 4 de la página 9.
- Asegúrese de que el nicho tenga una conexión eléctrica correcta a través del conector a tierra No. 6 AWG ubicado en la parte trasera del nicho.
- Use solo accesorios de iluminación Pentair en este nicho para asegurar las conexiones de empalme y de puesta a tierra apropiadas.
- Si se usa un conducto no metálico, hay que instalar cable de empalme/conexión a tierra No. 8 AWG mediante el conducto de la caja de uniones, hasta la tuerca de empalme/conexión a tierra dentro del nicho. Selle la conexión del cable/tuerca con un sellador listado, como por ejemplo un sistema de revestimiento o encapsulamiento de epoxi de dos componentes listado en UL o su equivalente, para proteger la conexión de una posible corrosión del agua de la piscina. Vea la figura 4 de la página 9.

REQUISITOS DE INSTALACIÓN DE LA CAJA DE CONEXIONES (CANADÁ)

La siguiente información es para la caja de conexiones y para la ubicación en el área de la piscina para Canadá solamente.

Las cajas de conexiones/del área de la piscina deben instalarse:

- sobre el nivel de agua normal de la piscina;
- con la parte superior de la caja a nivel o sobre el nivel terminado del área de la piscina;
- de una manera o ubicación en la que la caja no sea un obstáculo; y
- de tal forma que el agua en el área de la piscina drene lejos de la caja (Vea la figura 1 de la página 8).

PARA EL FUNCIONAMIENTO DE LAS LUCES, UTILICE ÚNICAMENTE UN TRANSFORMADOR DE AISLAMIENTO DE SEGURIDAD.

Nota: conecte los tres cables a los cables de los circuitos correspondientes en la caja de conexiones. Para conexión de tres cables: cable negro a alimentación, cable blanco a común y cable verde a tierra.

IMPORTANTE! 120 VCA AND 12 VCA LUMINARIAS DEVEN TENER UNA GFCI CONECCION. ABAJO VEA LA FIGURA 2 ABAJO.

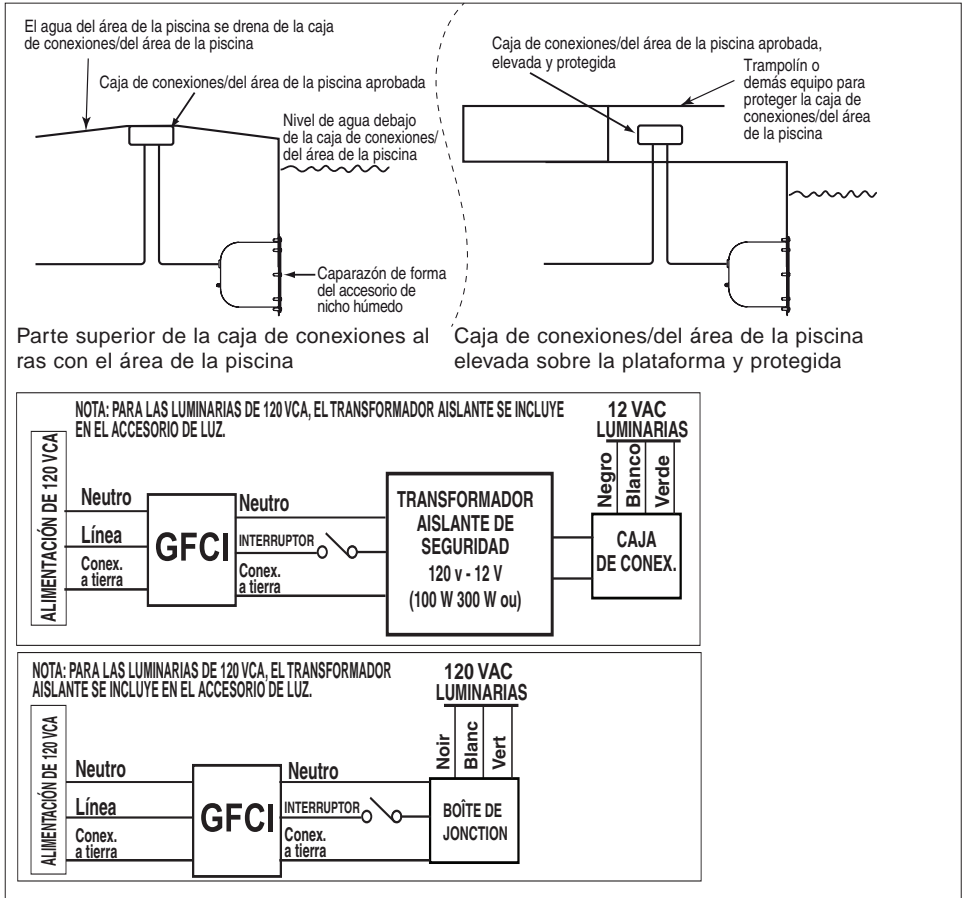


Figura 2, CANADÁ.

INSTALACIÓN DEL ACCESORIO DE LUCES PARA PISCINAS Y PARA SPA INTELLIBRITE® 5G (DESPUÉS DE CUMPLIR CON LOS REQUISITOS ELÉCTRICOS)

Para instalar el accesorio de luces para piscinas y luces para spa IntelliBrite®:

1. Tienda el cable de luz a través del conducto hasta la caja de conexiones; deje al menos cuatro (4) pies de cable en el accesorio de luz para enrollarlos alrededor de la luz (esto permite reparar la luz una vez que se llene la piscina de agua). Vea la figura 3 (Estados Unidos) y la figura 4, (Canadá solamente) que se muestran a continuación.

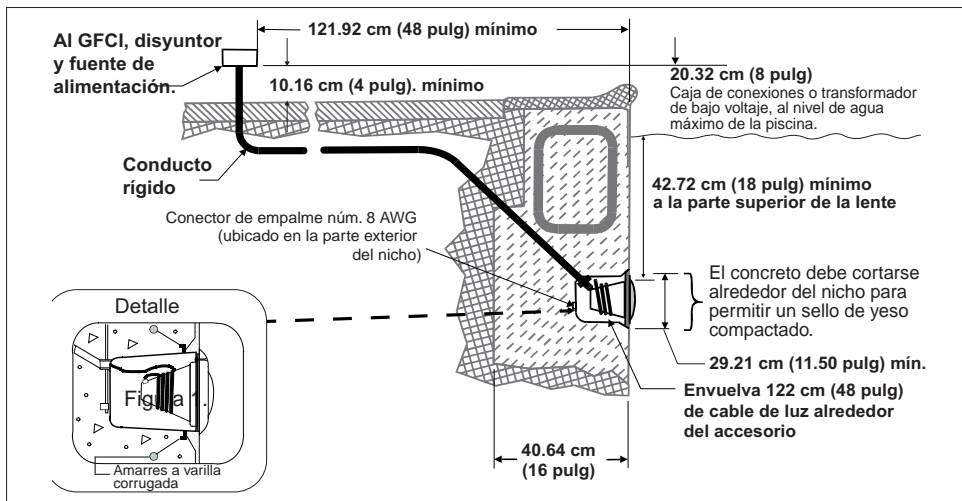


Figura 3, Estados Unidos

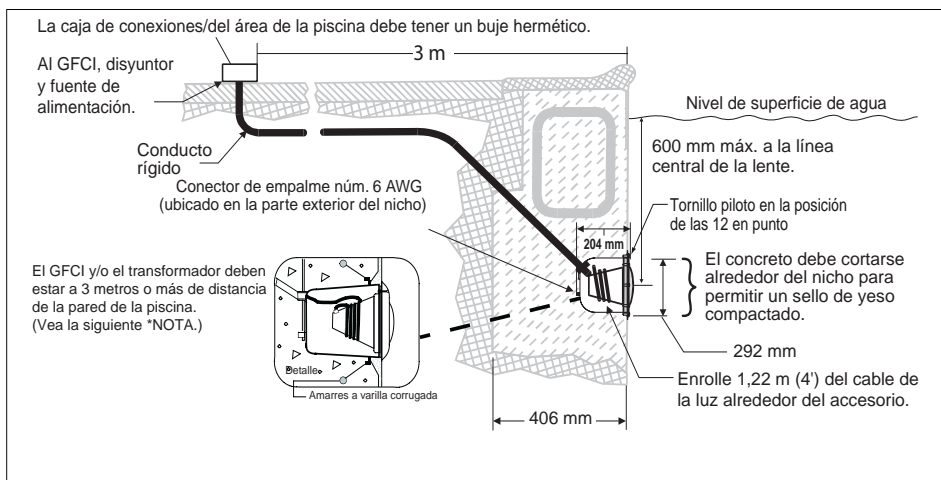


Figura 4, CANADÁ

2. Corte el cable en la caja de conexiones y deje al menos 15,24 cm (6") de cable para hacer conexiones.
3. Pele 15.3 cm (6") de la vaina externa del cable para dejar expuestos los tres conductores aislados (tenga cuidado de no dañar el aislamiento de los tres (3) conductores internos). Pele 1,27 cm (1/2") del aislamiento de los tres conductores. Procure no dañar el conductor de cobre.
4. Conecte los tres (3) conductores a los cables de los circuitos correspondientes en la caja de conexiones y asegure la cubierta de la caja de conexiones en su lugar.
5. Instale el ensamblaje de luces IntelliBrite® en el nicho y apriete el tornillo piloto especial de bronce.

ADVERTENCIA

Use solo el **tornillo piloto especial que se proporciona** con esta luz subacuática. Este tornillo monta y realiza la conexión eléctrica a tierra segura de la carcasa con el aro de montaje y el nicho mojado. Si no se usa el tornillo que se proporciona se podría crear un riesgo eléctrico que podría dar como resultado la muerte o una lesión grave por electrocución a los usuarios o los instaladores de la piscina o a otras personas.

Tornillo piloto (bronce o acero inoxidable)



Luces para piscinas IntelliBrite 5G

Tornillo piloto (bronce o acero inoxidable)



Luces para spa IntelliBrite 5G

6. Llene la piscina hasta que la luz subacuática quede completamente sumergida antes de hacer funcionar las luces.
7. **Verificación final del funcionamiento correcto de las luces:** para verificar el funcionamiento correcto, active el interruptor o el disyuntor principal y el interruptor que opera la luz subacuática IntelliBrite en sí. La luz debe encenderse cuando se aplica energía. De lo contrario, vuelva a verificar la instalación a partir del paso 1 (página 7)

Descripción general del reemplazo del mazo de cables del fusible de la luz para piscinas IntelliBrite® 5G (12 V)

A continuación se describe cómo reemplazar el ensamblaje de fusible de la luz para piscinas IntelliBrite 5G (si corresponde) y la placa de circuitos principal de las luces para las piscinas IntelliBrite 5G.

¡IMPORTANTE! Antes de reemplazar el ensamblaje de fusible, tome nota de lo siguiente:

Solución de problemas

Problema	Causa/Acción
La luz no funciona correctamente	<p>Verifique la conexión del cableado de la luz a la caja de conexiones en el sector de la piscina y con el interruptor de electricidad de CA.</p> <p>Asegúrese de que se haya aplicado electricidad de CA correcta a las luces.</p>
La lámpara no se enciende.	<p>Revise el cableado de fallo a tierra del GFCI y restablezca si es necesario. (120 V Luminarias)</p> <p>Ensamblaje de luz IntelliBrite 5G de 12 V con fusible Reemplace el ensamblaje de FUSIBLE (vea la página 14): Nota: el reemplazo del ensamblaje de fusible puede o no resolver este problema. En algunos casos, el ensamblaje de fusible puede quemarse y después de reemplazar el fusible la placa de circuitos de la luz sigue sin funcionar. En este caso se debe reemplazar la placa de circuitos.</p>

REEMPLAZO DEL ENSAMBLAJE DE PLACA DE CIRCUITOS DE LUCES PARA PISCINAS INTELLIBRITE (EN UNA PISCINA EXISTENTE)

Cuando se reemplace la placa de circuitos para piscinas IntelliBrite, TAMBIÉN SE DEBEN REEMPLAZAR la abrazadera de cables de tensión única (N/P 600095), el empaque (N/P 620400Z) o el empaque y la lente (619864Z) – VEA LOS NÚMEROS DE PIEZA EN LA PÁGINA 20.

Extracción e instalación de la placa de circuitos de las luces IntelliBrite 5G

PELIGRO



RIESGO DE CHOQUE ELÉCTRICO O ELECTROCUCIÓN

Siempre desconecte la electricidad de las luces de la piscina en la placa de circuitos antes de realizar el mantenimiento de las luces. No cumplir con estas indicaciones puede ocasionar la muerte o lesiones serias al instalador, a la persona que realiza el mantenimiento, a los usuarios de la piscina u otras personas debido a una descarga eléctrica.

1. **Desactive el interruptor eléctrico o el disyuntor principal**, así como el interruptor que opera las luces IntelliBrite en sí.
Notas: No repare la luz mientras esté en el agua de la piscina. La luz DEBE repararse estando en el área de la piscina fuera del agua.
2. Antes de empezar, asegúrese de tener un nuevo empaque para la lente (N/P 620400Z), una nueva abrazadera de cables de tensión única (N/P 600095) y un nuevo ensamblaje de placa de circuitos de luces para piscinas IntelliBrite 5G (N/P 619875Z - 300w, N/P 619916Z-400W, N/P 619917Z-500w) - N/P 619818Z, listos para instalar.

REEMPLAZO DEL ENSAMBLAJE DE PLACA DE CIRCUITOS PARA LUCES PARA PISCINAS INTELLIBRITE® 5G (EN UNA PISCINA EXISTENTE) (CONTINUACIÓN)

⚠️ ADVERTENCIA

Reemplace el ensamblaje de placa de circuitos con el mismo tipo y el mismo consumo. Si el ensamblaje de placa de circuitos de las luces no se reemplaza con el mismo tipo, el ensamblaje de luces se dañará y se puede generar un riesgo eléctrico que dé como resultado la muerte o lesiones personales por electrocución a los usuarios o los instaladores de la piscina o a otras personas, así como daños a la propiedad.

⚠️ ADVERTENCIA

Instale siempre un nuevo ensamblaje de abrazadera de cables de tensión única y un nuevo empaque de lentes cuando vuelva a montar el ensamblaje de luces. Instale siempre un nuevo ensamblaje de abrazadera de cables de tensión única y empaque de lentes (vea la página 19). (a) un riesgo eléctrico que dé como resultado la muerte o una lesión grave por electrocución a los usuarios o el instalador de la piscina o a otras personas, o bien (b) roturas en lámparas o lentes que, de manera similar, den como resultado lesiones graves a los usuarios, a instaladores o a personas en las inmediaciones de la piscina, o daños a la propiedad.

- EXTRACCIÓN DEL ENSAMBLAJE DE LUCES PARA PISCINAS INTELLIBRITE 5G:** retire el tornillo piloto en la parte superior del aro del frente; retire el ensamblaje de luces del nicho. Coloque el ensamblaje sobre el piso. **Nota:** no es necesario vaciar la piscina.
- Desenrosque el cable de la base de la carcasa de las luces.

Tornillo piloto (bronce o acero inoxidable)



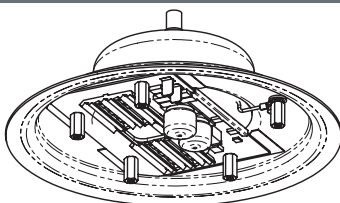
Luces para piscinas IntelliBrite 5G

⚠️ ADVERTENCIA

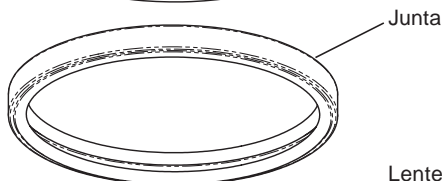
Asegúrese de guardar el tornillo piloto de la luz IntelliBrite. Este tornillo monta y realiza la conexión eléctrica a tierra segura de la carcasa con el aro de montaje y el nicho mojado. Si no se usa el tornillo que se proporciona, se podría crear un riesgo eléctrico que podría dar como resultado la muerte o una lesión grave por electrocución a los usuarios o los instaladores de la piscina o a otras personas.

REEMPLAZO DEL ENSAMBLAJE DE PLACA DE CIRCUITOS DE LUCES PARA PISCINAS INTELLIBRITE® (EN UNA PISCINA EXISTENTE) (CONTINUACIÓN)

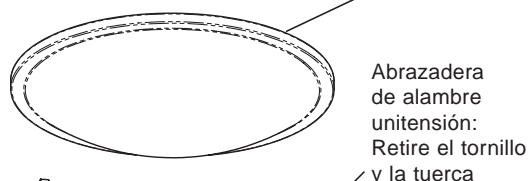
5. Coloque un paño en el piso para proteger la lente. Dé vuelta la luz para que la lente se apoye sobre el paño. Use una llave para tuercas de 0.64 cm (¼") y un destornillador Phillips n.º 3 para retirar la abrazadera de alambre unitensión de la tuerca. Reserve la tuerca para volver a instalarla.



6. Retire el aro del frente y la abrazadera de alambre de la carcasa de la luz. **Deseche el abrazadera de alambre unitensión de la tuerca.**

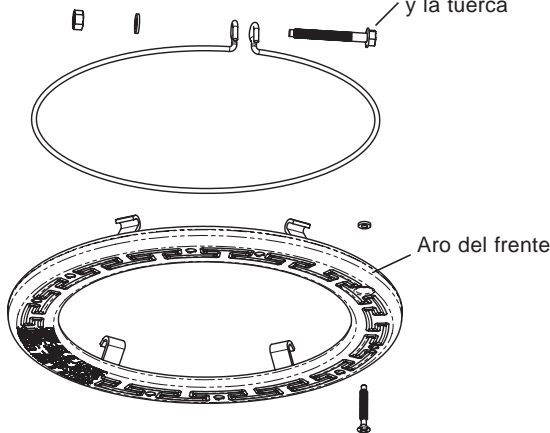


7. Con la luz apoyada sobre la base, haga palanca y retire el empaque para extraer la lente. Reserve la lente para volver a instalarla. **Deseche el empaque.**



Nota: SE DEBE USAR UN EMPAQUE DE LENTE NUEVO (N/P 620400Z) CADA VEZ QUE SE VUELVE A MONTAR LA LUZ.

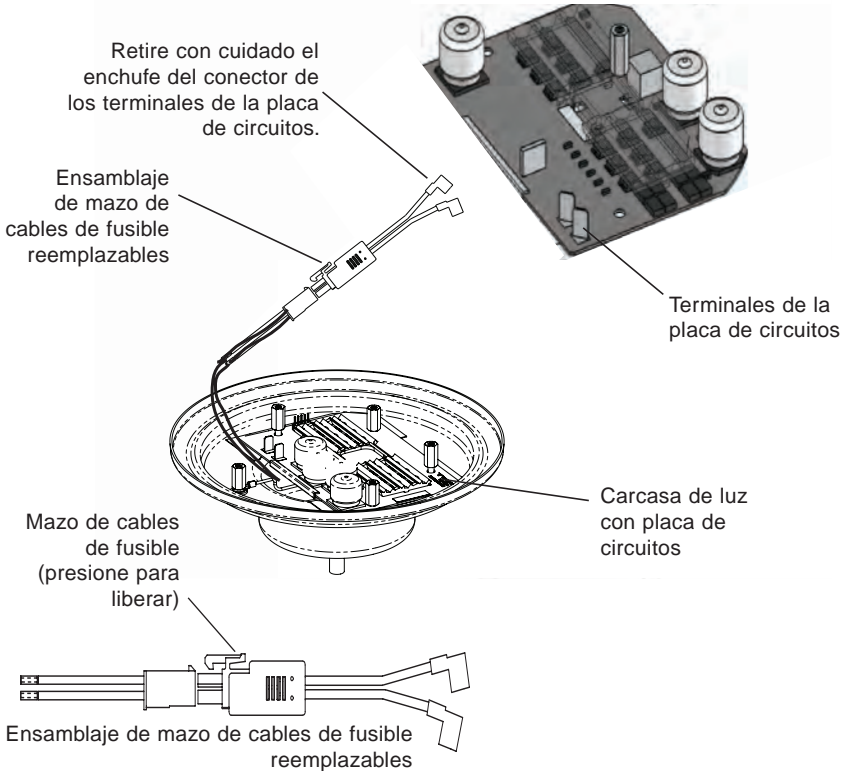
Vea los números de pieza de los kits de reemplazo en la página 20.



Nota: tome nota de la posición actual de la lente en la posición del tornillo piloto (12 en punto) antes de retirarla del accesorio. La "W" en la lente indica ángulo abierto, la "N" indica ángulo cerrado. Para más información, vea la página 17 - 19.

NOTA: para una luz de piscina (12 V únicamente. Sin transformador reductor interno) que tiene un ENSAMBLAJE DE FUSIBLE de reemplazo, continúe el procedimiento en la página siguiente. Si la luz NO tiene un ensamblaje de fusible de reemplazo, vaya a la página 14.

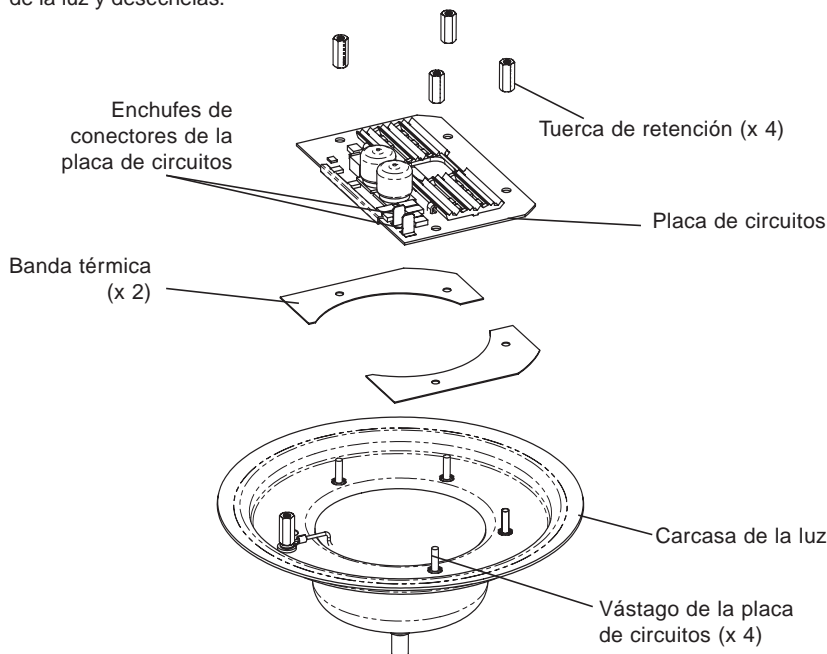
REEMPLAZO DEL ENSAMBLAJE DE MAZO DE CABLES DEL FUSIBLE (SOLO PARA LUCES DE 12 V)



1. Use los dedos para desconectar con cuidado el enchufe del conector de cada fusible de los terminales de la placa de circuitos. Con cuidado, levante cada enchufe de conector con movimientos laterales cortos mientras sostiene los terminales de la placa de circuitos con un destornillador de punta plana. Después, desconecte gradualmente el enchufe del conector del terminal. *Nota: para evitar daños permanentes en la placa de circuitos, asegúrese de no desprender los terminales de la superficie de la placa de circuitos.*
2. Una vez que los enchufes de conectores de fusible están fuera de los terminales de la placa de circuitos, separe el ensamblaje de fusible del mazo de cables de la luz presionando sobre la palanca de liberación del fusible; después, desprenda con suavidad.
3. Inserte el conector del mazo de cables del fusible nuevo en el enchufe del mazo de cables de la luz y junte a presión.
4. Use los dedos para conectar con cuidado cada enchufe de conector de fusible en los terminales de la placa de circuitos. *Asegúrese de no presionar mucho sobre el conector; eso puede dañar las conexiones de terminales en la placa de circuitos.*
5. **Continúe con “INSTALACIÓN DEL ENSAMBLAJE DE LUCES PARA PISCINAS INTELLIBRITE® 5G CON UN NUEVO EMPAQUE” en la página 15.**

EXTRACCIÓN DEL ENSAMBLAJE DE PLACA DE CIRCUITOS DE LA LUZ

1. Con una llave para tuercas de 0.64 cm (¼"), retire con cuidado las cuatro tuercas de retención del ensamblaje de la luz (vea las ilustraciones en la página que sigue). Reserve las tuercas para volver a instalarlas.
2. Desenchufe los enchufes de los dos conectores de la placa de circuitos. Levante la placa de circuitos y retírela de la base de la carcasa de la luz.
3. Levante con cuidado y retire las bandas térmicas antiguas de la base de la carcasa de la luz y deséchelas.



4. Coloque las dos bandas térmicas nuevas (se proporcionan) sobre los vástagos de la placa de circuitos en la base de la carcasa de la luz.
5. Coloque la placa de circuitos de la luz sobre los vástagos de la base y asiente la placa de circuitos encima de las bandas térmicas. Asegúrese de que los dos cables conectores no queden atrapados entre la carcasa y el borde de la placa de circuitos.
6. Con una llave para tuercas de 0.64 cm (¼"), apriete cada una de las cuatro (4) tuercas de retención a un valor de torsión de 6,0 (mínimo) a 8,0 (máximo) lb-pulgada para asegurar la placa de circuitos. **NO APRIETE EN EXCESO LAS TUERCAS DE LA PLACA DE CIRCUITOS.**

INSTALACIÓN DEL ENSAMBLAJE DE LUCES PARA PISCINAS INTELLIBRITE® 5G CON UN NUEVO EMPAQUE (vea la ilustración en la página siguiente)



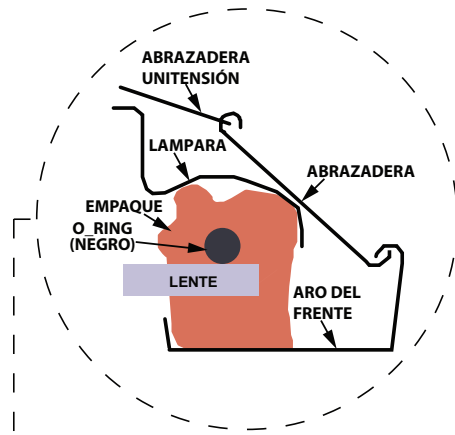
ADVERTENCIA Asegúrese de instalar CADA UNA de las cuatro (4) tuercas de retención. Estas tuercas aseguran una descarga a tierra eléctrica correcta. Si no se instalan todas las tuercas de retención, se podría crear un riesgo eléctrico que podría dar como resultado la muerte o lesiones graves por electrocución de los usuarios o los instaladores de la piscina o de otras personas.

Continúa en la siguiente página.

INSTALACIÓN DEL ENSAMBLAJE DE LUCES PARA PISCINAS INTELLIBRITE® 5G CON UN NUEVO EMPAQUE (vea la ilustración en la página siguiente)

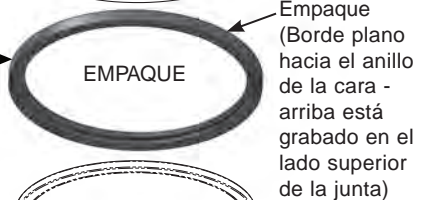
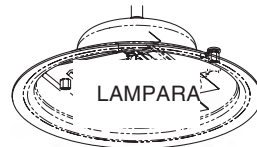
- 1. Instale el NUEVO EMPAQUE EN LA LENTE:** estire el empaque alrededor de la circunferencia de la lente. Asegúrese de que el empaque se instale parejo alrededor de la lente.

NOTA IMPORTANTE: Instalar la junta de manera que el lado del borde plano de la junta es hacia la superficie interior del anillo de la cara y la junta tórica Negro campo tiene que ser entre la lente y la cubierta de la luz. **Nota:** Las letras superiores están en relieve en el lado de borde plano de la junta.



- 2. ALINEE LA LENTE/EL EMPAQUE SOBRE LA CARCASA DE LA LUZ:**

- Con la carcasa de la luz apoyada sobre la base, coloque la lente/el empaque sobre la parte superior de la carcasa de la luz.
- Rote la lente/el empaque para alinear la letra "W" (ángulo abierto "WIDE") sobre la lente con la ubicación de la tuerca de bronce en la carcasa (vea el diagrama en la página 14 para la ubicación de la tuerca de bronce).

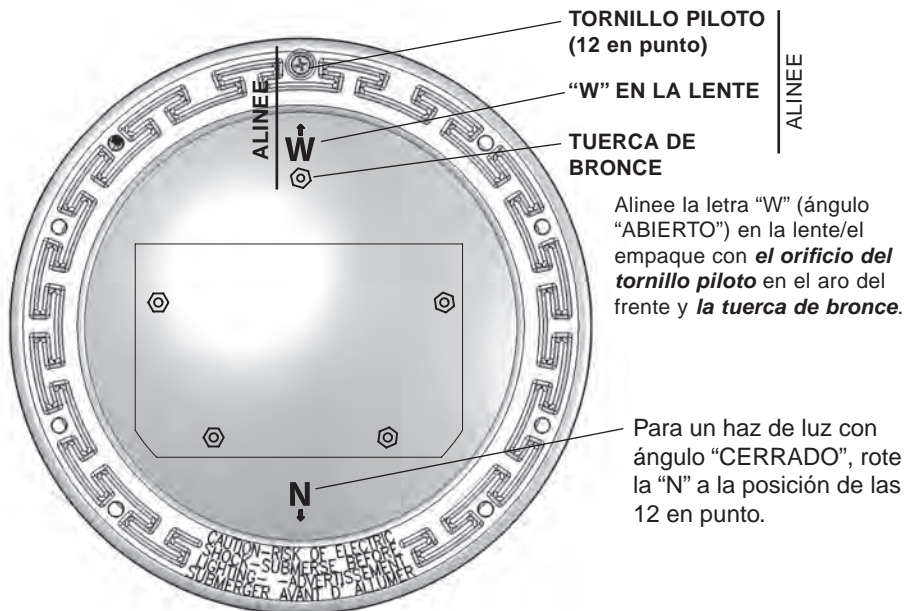


- 3. INSTALE EL ARO DEL FRENTE:** Coloque el aro del frente encima de la lente/el empaque/la carcasa. Rote el aro del frente de modo que el orificio del tornillo piloto se alinee en la posición de las 12 en punto, con la letra "W" (o "N") de la lente y la tuerca de bronce en la carcasa. Además, verifique que la etiqueta indicadora con la flecha de posición "HACIA ARRIBA" (vea la página 14) en la parte posterior de la carcasa esté alineada con el tornillo piloto en el aro del frente.

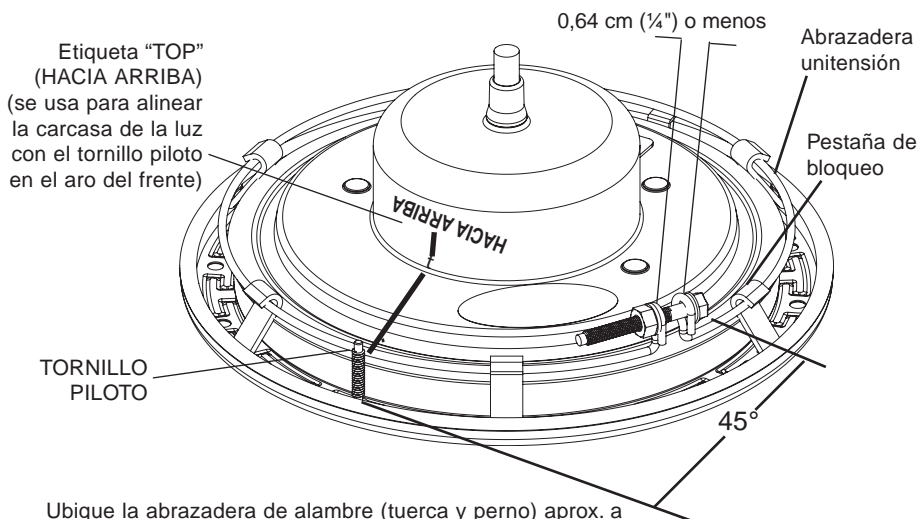


Empaque: borde plano es hacia la superficie interior del anillo de la cara.

Nota: la lente de la luz IntelliBrite se envía de fábrica en la posición de ángulo "ABIERTO" (W). La posición "abierto" de la lente se usa típicamente para luces ubicadas en cualquiera de los lados de la piscina. La posición "cerrada" de la lente se usa típicamente para luces ubicadas en cualquiera de los extremos de la piscina. Para usar el haz de luz de ángulo "CERRADO", rote la lente/el empaque para alinear la letra "N" en la lente. Nota: para más información sobre el uso de la lente con ángulo "ABIERTO" y "CERRADO", vea la página 17.



- 4. INSTALE LA ABRAZADERA DE ALAMBRE UNITENSIÓN:** Con los extremos de gancho de la abrazadera unitensión circular orientados hacia abajo, abra la abrazadera y colóquela en las muescas en “U” de las pestañas de bloqueo. Asegúrese de que los extremos de gancho de la abrazadera estén entre el par de pestañas de bloqueo como se muestra a continuación y que la abrazadera de alambre se enganche correctamente con todas las pestañas de bloqueo.
- 5.** Coloque un paño en el piso para proteger la lente. Dé vuelta la luz para que la lente se apoye sobre el paño. Asegúrese de que la orientación de la abrazadera de alambre y la conexión con el perno esté a 45°.
- 6.** Apriete el perno y la tuerca hasta que la distancia entre los extremos de la abrazadera sea igual a 0,64 cm (¼”) o menos. **Continúa en la siguiente página.**



7. Enrosque al menos 1,22 m (4') de cable alrededor del accesorio de luz (vea la figura 1 en la página 6). Esto permite realizar el mantenimiento de la luz después de que la piscina se ha llenado de agua.
8. Conecte los tres cables (o dos cables) de la luz a los cables de los circuitos de la luz correspondientes en la caja de conexiones. Para conexiones de tres cables: conecte el cable negro a la alimentación, el cable blanco a común, el cable verde a tierra. Fije la cubierta de la caja de conexiones.
9. Instale el ensamblaje de la luz dentro del nicho de la piscina. **IMPORTANTE: asegúrese de insertar la LENGÜETA en la parte inferior del aro del frente en la RANURA del nicho (ubicada en la parte inferior del nicho). Esto es importante para asegurar la parte inferior del ensamblaje de luces en el nicho antes de apretar el tornillo piloto.**
10. Apriete con cuidado el tornillo piloto especial de bronce para asegurar la parte superior del ensamblaje de la luz sobre el nicho.



11. **Verificación final del funcionamiento correcto de la luz IntelliBrite®:** active el interruptor o disyuntor principal al sistema y el interruptor que opera la luz IntelliBrite en sí. La luz debe encenderse cuando se aplica energía. De lo contrario, verifique nuevamente los pasos de la instalación a partir del paso 1 (página 4).

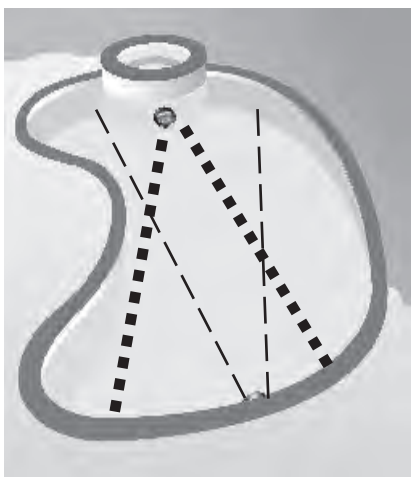
Ajuste de lente de ángulo abierto y cerrado

Función de lente de ángulo abierto y cerrado

La geometría de las lentes de las luces IntelliBrite ofrece la opción de un haz de luz de ángulo "abierto" o "cerrado" para adecuarse a diversos tamaños de piscinas. Para luces ubicadas a cualquiera de los lados de la piscina, rote la lente hasta la posición del ángulo "abierto" (W), que proporcionará un haz de luz de ángulo más ancho para mayor cobertura debajo del agua y un reflejo de la luz del ancho de la piscina. Para luces ubicadas en cualquiera de los extremos de la piscina, rote la lente hasta la posición del ángulo "cerrado" (N) del haz de luz que proporcionará mayor intensidad y distancia de la luz subacuática. Nota: la lente de la luz IntelliBrite se envía de fábrica en la posición de ángulo "ABIERTO" (W).



HAZ DE LUZ CON ÁNGULO ABIERTO
(PARA LOS COSTADOS DE LA PISCINA)



HAZ DE LUZ CON ÁNGULO CERRADO
(PARA LOS EXTREMOS DE LA PISCINA)

Números de pieza de los kits de reemplazo del ensamblaje de luces para piscinas IntelliBrite® 5G

Nota: se requiere un transformador externo de 120 VCA a 12 VCA para el modelo de 12 VCA de luces blancas para piscinas IntelliBrite. Vea la página 1 para más información.

Ensamblaje de luces para piscinas IntelliBrite 5G (listas de UL/CAS)		
Modelo de producto	Voltaje	Longitud del cable (pies)
601105	12 V	30 ft (9.2 m)
601106	12 V	50 ft (15.2 m)
601107	12 V	100 ft (30.5 m)
601108	12 V	150 ft (45.7 m)
601205	12 V	30 ft (9.2 m)
601206	12 V	50 ft (15.2 m)
601207	12 V	100 ft (30.5 m)
601208	12V	150 ft (45.7 m)
601300	120 V	30 ft (9.2 m)
601305	12 V	30 ft (9.2 m)
601306	12 V	50 ft (15.2 m)
601307	12 V	100 ft (30.5 m)
601308	12 V	150 ft (45.7 m)

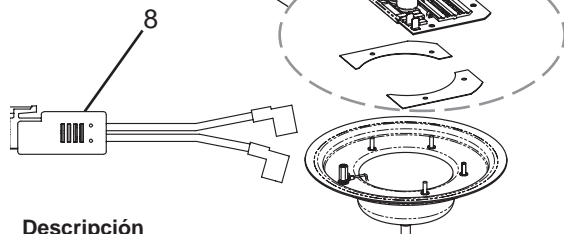
Números de piezas de los kits de reemplazo de ensamblaje de luces para piscinas IntelliBrite®

Luz blanca para piscinas 5G (UL/CSA)	Luz de color para piscinas 5G (UL/CSA)
Modelo/Voltaje/Cable (pies)	Modelo/Voltaje/Cable (pies)
601100/120 V/30'	601000/120 V/30' UL
601101/120 V/50'	601001/120 V/50' UL
601102/120 V/100'	601002/120 V/100' UL
601103/120 V/150'	601003/120 V/150' UL
601104/120 V/250'	601004/120 V/250' UL
601105/12 V/30'	601010/12 V/30' UL
601106/12 V/50'	601011/12 V/50' UL
601107/12 V/100'	601012/12 V/100' UL
601108/12 V/150'	601013/12 V/150' UL
601200/120 V/30'	602000/120 V/30' CSA
601201/120 V/50'	602001/120 V/50' CSA
601202/120 V/100'	602002/120 V/100' CSA
601203/120 V/150'	602003/120 V/150' CSA
601204/120 V/250'	602004/120 V/250' CSA
601205/12 V/30'	602010/12 V/30' CSA
601206/12 V/50'	602011/12 V/50' CSA
601207/12 V/100'	602012/12 V/100' CSA
601208/12 V/150'	602020/12 V/10' CE
601300/120 V/30'	
601301/120 V/50'	
601302/120 V/100'	
601303/120 V/150'	
601304/120 V/250'	
601305/12 V/30'	
601306/12 V/50'	
601307/12 V/100'	
601308/12 V/150'	

Nota: Feet para metric conversion:

10 ft = (3.1 m)
30 ft = (9.2 m)
50 ft = (15.2 m)
100 ft = (30.5 m)
150 ft = (45.7 m)
250 ft = (76.2 m)

Nota: se requiere un transformador externo de 120 VCA a 12 VCA para el modelo de 12 VCA de luces para piscinas IntelliBrite 5G. Vea la página 1 para más información.



N.º de artículo	N.º de pieza del kit	Descripción
2, 3, 5	600095	Ensamblaje de aro del frente, acero inoxidable. - Ensamblaje de abrazadera de alambre unitensión. - Empaque, 20.9 cm (8-3/8") de diámetro, silicona.
4, 3	619864Z	Kit de lente de reemplazo. - Empaque, 20.9 cm (8-3/8") de diámetro, crema. - Lente, IntelliBrite, piscina, 20.9 cm (8-3/8") de diámetro, templado.
3, 5, 7	619875Z (UL) (300 W), 619916 Z (400 W), 619917Z (500 W) 619818Z (Color Estándar) - 620366Z (Azul Rey)	El kit de reemplazo incluye: Placa de circuitos, bandas térmicas (x 2). - Ensamblaje de abrazadera de alambre unitensión. - Empaque, 20.9 cm (8-3/8") de diámetro, silicona, crema.
1	79104800	Tornillo piloto, con arandela cautiva de goma.
1	619355	Tornillo piloto (acero inoxidable)
5	620400Z	Empaque, 20.9 cm (8-3/8") de diámetro, de silicona.
8	620276	Kit de mazo de cables de fusible (solo para luces de 12 V)

Nota: las luces para piscinas IntelliBrite de 120 VCA tienen un transformador de 12 VCA integrado.

Reemplazo del aro del frente y el empaque (N/P 640045) o del empaque y la lente (640046) de las luces IntelliBrite® 5G; vea la página 25

Nota: Cuando se reemplaza un ensamblaje de luces para spa IntelliBrite 5G, el ensamblaje nuevo incluye un motor de luces, una lente, un empaque, una abrazadera de cables de tensión única y el aro del frente (para los números de pieza, vea la página 24).

⚠ PELIGRO



¡PELIGRO!

RIESGO DE CHOQUE ELÉCTRICO O ELECTROCUCIÓN

Siempre desconecte la electricidad de las luces de la piscina en la placa de circuitos antes de realizar el mantenimiento de las luces. El no hacerlo podría dar como resultado la muerte o lesiones graves por electrocución del instalador, el profesional de la piscina, los usuarios de la piscina u otras personas.

1. **Desactive el interruptor o disyuntor principal** y el interruptor que opera la luz subacuática IntelliBrite en sí.
- **Desactive el interruptor eléctrico o el disyuntor principal y el interruptor que opera la luz subacuática IntelliBrite.**
- **No repare la luz mientras esté en el agua de la piscina. La luz DEBE repararse estando en el área de la piscina fuera del agua.**

⚠ ADVERTENCIA

Siempre instale un empaque de lente nuevo (N/P 79108600). Cada vez que desmonte el ensamblaje de luces IntelliBrite. El no hacerlo podría haber fugas de agua al interior del ensamblaje que podrían causar: **(a)** un riesgo eléctrico que dé como resultado la muerte o una lesión grave por electrocución a los usuarios o el instalador de la piscina o a otras personas, o bien **(b)** roturas en lentes que, de manera similar, den como resultado lesiones graves a los usuarios, a instaladores o a personas en las inmediaciones de la piscina, o daños a la propiedad.

Tornillo piloto (bronce o acero inoxidable)



Luces para spa IntelliBrite 5G

2. **EXTRACCIÓN DE LA LUZ PARA SPA INTELLIBRITE:** Retire el tornillo piloto en la parte superior del aro del frente; retire el ensamblaje de la luz del nicho. Coloque el ensamblaje sobre el piso. **Nota:** no es necesario vaciar la piscina.

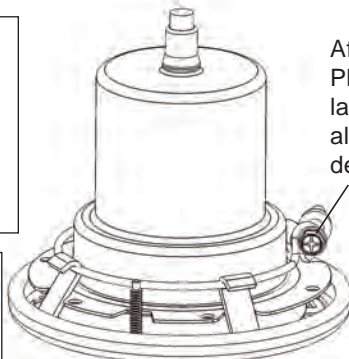
⚠ ADVERTENCIA

Asegúrese de guardar el tornillo piloto de la luz IntelliBrite. Este tornillo monta y realiza la conexión eléctrica a tierra segura de la carcasa con el aro de montaje y el nicho mojado. Si no se usa el tornillo que se proporciona, se podría crear un riesgo eléctrico que podría dar como resultado la muerte o una lesión grave por electrocución a los usuarios o los instaladores de la piscina o a otras personas.

3. Con un destornillador de cabeza Phillips n.º 3, afloje el TORNILLO DE LA ABRAZADERA y retire la abrazadera de alambre unitensión del aro del frente. Reserve el tornillo (Phillips) del la abrazadera para volver a instalarla.
4. Retire el aro del frente y la abrazadera de alambre de la carcasa de la luz.
Deseche el abrazadera de alambre unitensión de la tuerca.

Nota: se requiere un transformador externo de 120 VCA a 12 VCA para el modelo de 12 VCA de luces para spa IntelliBrite®. Vea la página 1 para más información.

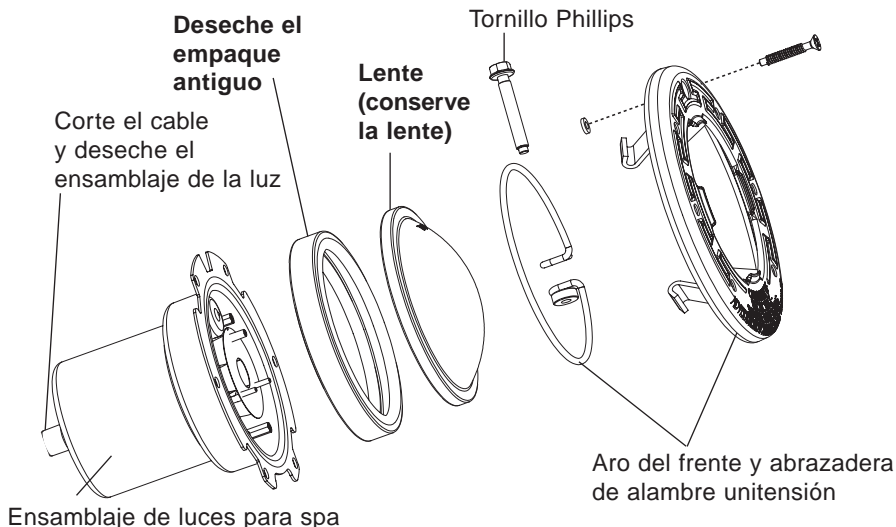
Nota: el accesorio de luces para spa IntelliBrite es un ensamblaje de luces sellado que no tiene un ensamblaje de placa de circuitos reemplazable. Solo se pueden extraer la lente, el empaque y el aro del frente del ensamblaje sellado para su reemplazo. Vea los números de pieza de los kits de reemplazo en la página 23.



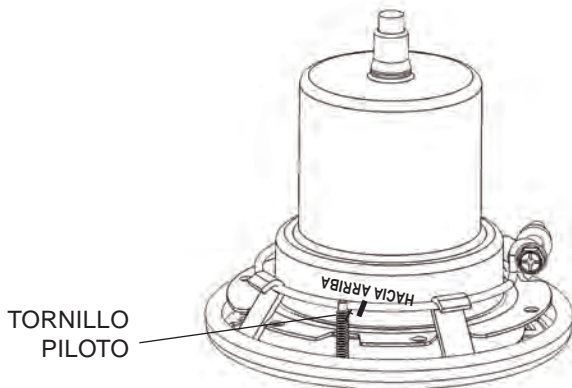
Afloje el tornillo Phillips para retirar la abrazadera de alambre del aro del frente.

Accesorio de luz para spa con lente, empaque y anillo del frente instalados

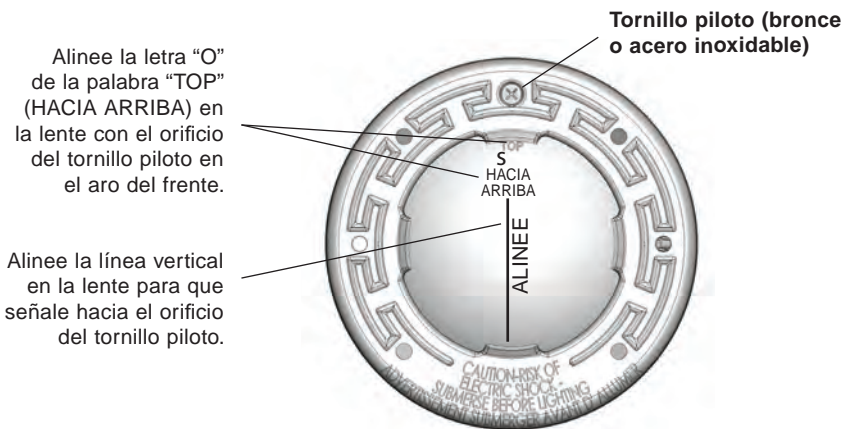
5. Con el ensamblaje de luz apoyado sobre la base, haga palanca y retire el empaque para retirar la lente. Deseche el empaque. SE DEBE USAR UN EMPAQUE DE LENTE NUEVO CADA VEZ QUE SE VUELVE A MONTAR LA LUZ PARA SPA.



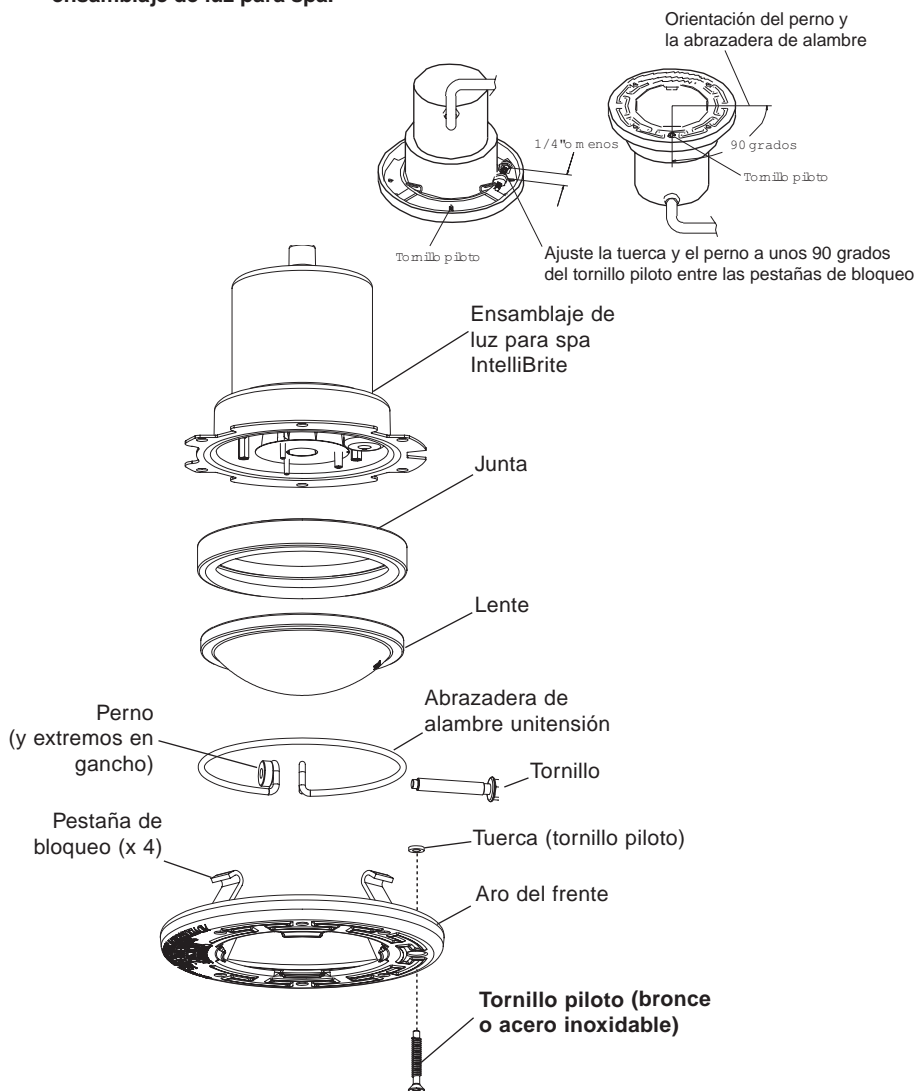
6. **INSTALACIÓN DE LA LUZ PARA SPA INTELLIBRITE® CON UN EMPAQUE NUEVO:** Instale un nuevo empaque durante el nuevo ensamblaje de la luz para spa IntelliBrite. SE DEBE USAR UN EMPAQUE DELENTE NUEVO CADA VEZ QUE SE VUELVE A MONTAR LA LUZ.
7. **Instale el nuevo empaque sobre la lente.** Con la carcasa de la luz apoyada sobre la base, coloque la lente y después el empaque encima de la carcasa de la luz.
8. **INSTALE EL ARO DEL FRENTE:** Coloque el anillo del frente encima de la lente/el empaque/la carcasa. Rote la carcasa de la luz para alinear la etiqueta indicadora de la flecha de posición "TOP" (HACIA ARRIBA) en la parte posterior de la carcasa con el tornillo piloto en el aro del frente. Coloque el aro del frente encima del empaque. Asegúrese de que la lente y el empaque estén centrados correctamente sobre la carcasa de la luz.



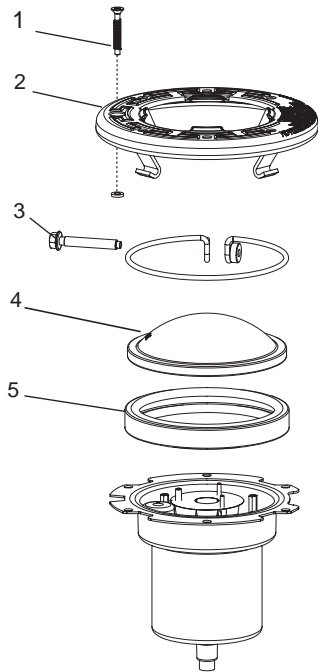
9. **Alineación del aro del frente y la lente:** alinee el aro del frente y la línea vertical en la lente para que la letra "O" de la palabra "TOP" (HACIA ARRIBA) y la flecha pequeña que tiene arriba en la superficie de la lente señale hacia la posición de las 12 en punto y con el orificio del tornillo piloto sobre el aro del frente.



10. **INSTALE LA ABRAZADERA UNITENSIÓN:** Con los extremos de gancho de la abrazadera circular unitensión orientados hacia abajo, abra la abrazadera y colóquela en las muescas en "U" de las pestañas de bloqueo. Asegúrese de que los extremos de gancho de la abrazadera estén entre el par de pestañas de bloqueo como se muestra a continuación y que la abrazadera de alambre se enganche correctamente con todas las pestañas de bloqueo.
11. Coloque un paño en el piso para proteger la lente. Dé vuelta la luz para que la lente se apoye sobre el paño. Asegúrese de que la orientación de la abrazadera de alambre y la conexión con el perno esté a 90°. Apriete el perno y la tuerca hasta que la distancia entre los extremos de la abrazadera sea igual a 0.64 cm (1/4") o menos.
12. **VAYA A "Reemplazo del ensamblaje de luz para spa IntelliBrite® (en una piscina o un spa existente)" en la página 4 para ver instrucciones de instalación del ensamblaje de luz para spa.**



Números de kits de reemplazo para luces para spa IntelliBrite® 5G



Ensamblaje de luz de color para spa IntelliBrite® 5G (lista UL/CSA)

Modelo de producto	Voltaje	Longitud del cable (pies)
640120	120 V	30 ft (9.2 m)
640121	120 V	50 ft (15.2 m)
640122	120 V	100 ft (30.5 m)
640123	120 V	150 ft (45.7 m)
640124	120V	250 ft (76.2 m)
640130	12 V	30 ft (9.2 m)
640131	12 V	50 ft (15.2 m)
640132	12 V	100 ft (30.5 m)
640133	12 V	150 ft (45.7 m)
*640125	120 V	150 ft (45.7 m)
*640135	12 V	150 ft (45.7 m)

Note: (*) RGB/Royal Blue

Ensamblaje de luz blanca para spa IntelliBrite® 5G (lista UL/CSA)

Modelo de producto	Voltaje	Longitud del cable (pies)
640140	120 V	30 ft (9.2 m)
640141	120 V	50 ft (9.2 m)
640142	120 V	100 ft (9.2 m)
640143	120 V	150 ft (9.2 m)
640144	120 V	250 ft (9.2 m)
640150	12 V	30 ft (9.2 m)
640151	12V	50 ft (9.2 m)
640152	12V	100 ft (9.2 m)
640153	12V	150 ft (9.2 m)

N.º de pieza del kit	Descripción
2,3,5 640045	Ensamblaje de anillo del frente, acero inoxidable Azul Rey - Ensamblaje de abrazadera de alambre unitensión - Empaque, 10.2 cm (4") de diámetro, crema
4,3,5, 640046	Empaque, 10.2 cm (4") de diámetro, crema - Ensamblaje de abrazadera de alambre unitensión - Lente, IntelliBrite, spa, 10.2 cm (4") de diámetro, templada
1 79104800	Tornillo piloto, con arandela cautiva de goma
1 619355	Tornillo piloto (acero inoxidable)
5 79108600	- Empaque, 10.2 cm (4") de diámetro, silicona

Nota: se requiere un transformador externo de 120 VCA a 12 VCA para el modelo de 12 VCA de luces para spa IntelliBrite. Vea la página 1 para más información.

Notes



1620 HAWKINS AVE., SANFORD, NC 27330 • (919) 566-8000
10951 WEST LOS ANGELES AVE., MOORPARK, CA 93021 • (805) 553-5000

WWW.PENTAIR.COM

Todas las marcas comerciales y los logos de Pentair son propiedad de Pentair, Inc. Pentair Aquatic Systems®, IntelliBrite®, IntelliFlo®, IntelliBrite®, EasyTouch®, IntelliTouch®, SunTouch® y IntelliChlor®, son marcas comerciales y/o marcas registradas de Pentair Water Pool and Spa, Inc. y/o sus empresas afiliadas en Estados Unidos y/u otros países. A menos que se indique expresamente, los nombres comerciales y marcas de terceros que puedan haber sido utilizados en este documento no indican una asociación o respaldo entre los propietarios de estos nombres comerciales y marcas y Pentair Water Pool and Spa, Inc. Esos nombres comerciales o marcas pueden ser marcas comerciales o marcas registradas de estos terceros. Debido a que estamos constantemente mejorando nuestros productos y servicios, Pentair se reserva el derecho de modificar las especificaciones sin previo aviso. Pentair es un empleador que ofrece igualdad de oportunidades.

© 2019 Pentair Water Pool and Spa, Inc. Todos los derechos reservados.
Este documento está sujeto a cambios sin previo aviso.



P/N 620278 REV C 2/2019



INTELLIBRITE® 5G
LAMPE À DEL BLANCHE POUR SPA ET LAMPE À
DEL COULEUR SUBMERSIBLE POUR PISCINE



GUIDE D'UTILISATION ET
D'INSTALLATION

INSTRUCTIONS DE SÉCURITÉ IMPORTANTES
LISEZ ET SUIVEZ TOUTES LES INSTRUCTIONS
CONSERVEZ CES INSTRUCTIONS

Soutien technique (USA)

Téléphone : (800) 831-7133 - Télécopie : (800) 284-4151

Site Web : www.pentair.com

Contenu

MISES EN GARDE ET CONSIGNES DE SÉCURITÉ IMPORTANTES	ii-iv
Présentation des lampes IntelliBrite 5G pour piscine et spa.....	1
Utilisation des lampes IntelliBrite pour piscine et spa à l'aide d'un interrupteur mural (12 V CA)....	1
Utilisation d'un transformateur externe pour plusieurs lampes IntelliBrite 12 V CA.....	1
Allumage des lampes IntelliBrite 5G.....	2
Sélection du mode spectacle de couleurs ou couleur fixe	2
Remplacement de l'ensemble de la lampe IntelliBrite 5G pour piscine et spa (dans une piscine existante/après la satisfaction des exigences en matière d'électricité)	4/5
Installation de la lampe IntelliBrite 5G pour piscine et spa (dans une nouvelle piscine/après la satisfaction des exigences en matière d'électricité) (CANADA)	6/11
Remplacement de faisceau de fusible pour lampe IntelliBrite 5G pour piscine (12 V).....	12
Remplacement de la lampe IntelliBrite pour piscine	12/19
Réglage de lentille à angles large et étroit	20
Numéros de pièces de l'ensemble de remplacement de lampe IntelliBrite 5G pour piscine ...	20/21
Remplacement de la lampe IntelliBrite pour spa.....	22
Numéros de pièces de l'ensemble de remplacement de lampe IntelliBrite 5G pour spa.....	26

Avant l'installation des lampes, lisez ce qui suit :



AVERTISSEMENT

Toujours installer l'ensemble collier de serrage unitension et le joint de la lentille au moment de la repose de l'ensemble de lampe. (voir la Page 21). Ne pas le faire peut permettre à l'eau d'entrer dans l'ensemble,

ce qui pourrait causer : (a) un danger électrique pouvant entraîner la mort ou des blessures graves pour les utilisateurs de la piscine, l'installateur ou d'autres personnes en raison de décharges électriques; (b) un bris de la lampe ou de la lentille, ce qui pourrait entraîner des blessures graves à l'utilisateur de la piscine, aux installateurs ou à des personnes à proximité, ou encore des dommages à la propriété.

POUR LES LAMPES 12 V CA : TOUJOURS UTILISER UN TRANSFORMATEUR ABASSEUR POUR ALIMENTER LES LAMPES. VOIR LE SCHÉMA À LA PAGE 9.
Remarque : Brancher les trois fils aux fils correspondants du circuit dans la boîte de jonction (fil noir à l'alimentation, fil blanc au conducteur commun et fil vert à la mise à la terre).

SPÉCIFICATION DES LAMPES 12 V CA : 12 V CA, 50/60 Hz. REMPLACER TOUT COUVERCLE PROTECTIF FISSURÉ (LENTILLE FÊLÉE) AVEC UNE NOUVELLE LENTILLE ET UN NOUVEAU JOINT.



MISE EN GARDE

LA LAMPE À DEL INTELLIBRITE 5G POUR PISCINE ET SPA NE PEUT PAS ÊTRE UTILISÉE AVEC UN GRADATEUR. L'UTILISATION D'UN GRADATEUR SE TRADUIRA PAR DES DOMMAGES PERMANENTS À LA LAMPE.

MISES EN GARDE ET CONSIGNES DE SÉCURITÉ IMPORTANTES

⚠ DANGER

DES BLESSURES GRAVES OU LA MORT PEUVENT S'ENSUIVRE SI CETTE LAMPE N'EST PAS INSTALLÉE OU UTILISÉE CORRECTEMENT.

⚠ DANGER

LES INSTALLATEURS, UTILISATEURS OU PROPRIÉTAIRES DE PISCINE DOIVENT LIRE CES AVERTISSEMENTS ET TOUTES LES INSTRUCTIONS AVANT D'UTILISER LA LAMPE À DEL POUR PISCINE ET/OU SPA.

⚠ AVERTISSEMENT

Les codes locaux et ceux de la majorité des provinces/états couvrent la construction, l'installation et l'utilisation des piscines et spas publiques et la construction de piscines et spas résidentiels. Il est important de se conformer à ces codes, dont un grand nombre régissent l'installation et l'utilisation de ce produit. Consultez les codes locaux du bâtiment et de la santé pour obtenir plus d'informations.



AVIS IMPORTANT - À l'attention de l'installateur : Ce guide d'utilisation et d'installation (« Guide ») comporte des informations importantes sur l'installation, le fonctionnement et l'utilisation sûre de cette lampe pour piscine et spa. Ce Guide doit être remis au propriétaire et/ou à l'utilisateur de cet équipement.

⚠ AVERTISSEMENT

Avant d'installer ce produit, lisez et respectez tous les avertissements et instructions présentés dans ce Guide. Le non respect de ces avertissements et instructions peut entraîner des blessures graves, voire mortelles ou des dommages matériels. Composez le (800) 831-7133 (USA) pour d'autres copies gratuites de ces instructions. Veuillez vous reporter à www.pentairpool.com pour obtenir plus d'informations sur ce produit.

⚠ DANGER



RISQUE DE DÉCHARGE ÉLECTRIQUE OU D'ÉLECTROCUTION :

La lampe à DEL pour spa et la lampe à DEL 5G pour piscine IntelliBrite NÉCESSITENT UNE TENSION ÉLEVÉE QUI PEUT PROVOQUER UNE DÉCHARGE ÉLECTRIQUE, DES BRÛLURES OU LA MORT.

AVANT DE TRAVAILLER SUR LES LAMPES INTELLIBRITE ! Débranchez toujours l'alimentation de l'éclairage de la piscine/du spa au niveau du disjoncteur de la lampe avant de faire l'entretien de celle-ci. Le non respect de cette consigne peut entraîner des blessures graves, voire mortelles, du réparateur, des utilisateurs de la piscine et d'autres personnes suite à une décharge électrique.

Cette lampe submersible doit être installée par un électricien agréé ou certifié ou par un professionnel compétent en piscine conformément au National Electrical Code (NEC), NFPA 70 ou au Code canadien de l'électricité (CCE), CSA C22.1. Tous les codes et règlements locaux applicables doivent être respectés. Une installation inappropriée entraînera un risque d'électrocution d'où blessures graves, voire mortelles des utilisateurs, installateurs de la piscine ou autres personnes suite à une décharge électrique, pouvant aussi entraîner des dommages matériels. Débranchez toujours l'alimentation de l'éclairage de la piscine au niveau du disjoncteur avant de faire l'entretien de la lampe. Le non respect de cette consigne peut entraîner des blessures graves, voire mortelles des réparateurs, utilisateurs de la piscine et autres personnes suite à une décharge électrique.

⚠ AVERTISSEMENT

Informations de sécurité importantes pour l'installation de niche et de lampe Pentair

- Toutes les installations de niches et de lampes doivent être conformes à tous les codes. Si les codes locaux exigent un joint de cordon, utilisez les niches en plastique de Pentair Water Pool and Spa (pièce n° 79206600 et pièce n° 79206700) et un nécessaire de joint de cordon (pièce n° 670044).
- En **aucun cas**, les lampes ne peuvent être remplacées en faisant un épissage de fils situés sous l'eau ou derrière une niche.



LISEZ ET SUIVEZ TOUTES LES INSTRUCTIONS DE CE MANUEL.

MISES EN GARDE ET CONSIGNES DE SÉCURITÉ IMPORTANTES

⚠ AVERTISSEMENT **RISQUE DE DÉCHARGE ÉLECTRIQUE ET DE BLESSURE. N'UTILISEZ QUE LA MÉTHODE D'INSTALLATION PRÉCISÉE CI-DESSOUS.**

Emplacement du luminaire installé	Appareil de fontaine de Pentair Water Pool and Spa* (pièces n°s 560001 et 560000)	Méthode d'installation requise
Piscine et spa	Luminaire (lampe) pour piscine (ou spa) à niche humide	Boîtier d'appareil (coque de formation) SEULEMENT. N'UTILISEZ PAS le support d'appareil à fontaine
Fontaine	Luminaire (lampe) pour piscine (ou spa) submersible à niche humide	Boîtier d'appareil (coque de formation) ou support d'appareil à fontaine

(*) Remarque : Les luminaires à niche humide conformes aux exigences des deux types d'emploi peuvent porter les deux marques UL pour luminaires submersibles à niche humide listés. Un luminaire ne portant pas la marque d'homologation UL correspondante n'est pas considéré par UL comme étant fabriqué selon le service de suivi et la norme UL pour l'emplacement associé à l'installation.

ATTENTION - L'appareil d'éclairage à DEL IntelliBrite de Pentair Water Pool and Spa® ne doit être utilisé que dans des boîtiers (niches) Pentair Water Pool and Spa. Si l'appareil d'éclairage à DEL IntelliBrite est installé dans d'autres niches, l'installation ne portera pas l'homologation UL et les garanties seront nulles et non avenues.

AVIS : Le câble ou le cordon flexible externe de ce luminaire ne se remplace pas; si le cordon est endommagé, le luminaire doit être détruit.

⚠ AVERTISSEMENT **Pour les pays en conformité avec les normes de la Commission électrotechnique internationale :** Cet appareil d'éclairage doit être installé par un électricien agréé ou certifié ou par une personne qualifiée pour l'entretien de piscine, selon la norme IEC 364-7-702 et tous les codes et règlements locaux applicables. Une installation inappropriée créera un risque d'électrocution pouvant entraîner des blessures graves, voire mortelles des utilisateurs, installateurs de la piscine ou autres personnes suite à une décharge électrique, pouvant aussi entraîner des dommages matériels.

⚠ AVERTISSEMENT Le sel est un matériau corrosif. Même si les niveaux de sel nécessaires pour un bon fonctionnement d'un générateur de chlore électronique sont relativement faibles comparativement à l'eau de mer et aux autres solutions salines, toute quantité de sel quelle qu'elle soit dans votre piscine augmente la possibilité de corrosion ou d'autres détériorations de l'équipement de la piscine et de toute surface de la piscine ou d'objets avoisinants. Les pièces métalliques et certaines surfaces artificielles sont particulièrement susceptibles à la corrosion et à la détérioration lorsqu'elles sont utilisées dans des piscines d'eau salée ou près de celles-ci. Pentair Water Pool and Spa ne fournit pas de garantie et ne garantit pas que l'utilisation appropriée d'un générateur de chlore électronique empêchera la corrosion ou autre détérioration de l'équipement de piscine et de toute surface de la piscine ou se trouvant proche de celle-ci. Consultez votre professionnel compétent dans le domaine des piscines qui devrait pouvoir vous donner des conseils sur le bon choix des matériaux, les techniques d'installation de ces matériaux, ainsi que sur leur entretien et utilisation appropriés selon le type et l'emplacement particuliers de votre piscine afin de minimiser la corrosion et la détérioration des piscines d'eau salée et de leurs environs.

LAMPES FIXES POUR PISCINE ET SPA : Suivez ces lignes directrices lors de l'installation, du remplacement ou de la réparation des lampes fixes pour piscine et spa Pentair :

- REMPLACER TOUT COUVERCLE PROTECTIF FISSURÉ (LENTILLE FÊLÉE)
AVEC UNE NOUVELLE LENTILLE ET UN NOUVEAU JOINT. POUR OBTENIR PLUS D'INFORMATION, VOIR LA PAGE 14.
 - POUR L'UTILISATION DE LA LUMIÈRE, UTILISER UNIQUEMENT UN TRANSFORMATEUR D'ISOLATION DE SÛRETÉ.

AVERTISSEMENT! Ces lampes ne conviennent pas pour un montage direct sur des surfaces normalement inflammables (elles conviennent UNIQUEMENT au montage sur des surfaces non inflammables).

Spécifications des lampes fixes pour piscine et spa :

12 V CA 50/60 Hz – 120 V CA  , 50/60 Hz.



Montage en surface

Présentation des lampes IntelliBrite® 5G pour piscine et spa

Ce manuel explique comment installer les lampes IntelliBrite 5G blanches et colorées pour piscine et les lampes IntelliBrite 5G blanches et colorées pour spa.

La lampe IntelliBrite 5G blanche fournit une lumière blanche brillante pour un effet spectaculaire dans votre piscine et votre spa. La lentille de la lampe IntelliBrite 5G (lumière de piscine seulement) permet de choisir entre deux formes de faisceau lumineux : une couverture plus large avec moins d'intensité ou une couverture plus étroite avec plus d'intensité.

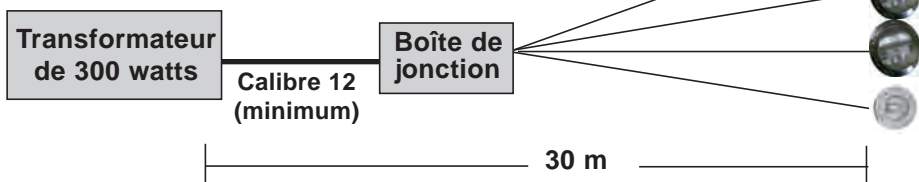
La lampe IntelliBrite 5G colorée fournit plusieurs couleurs vives et intenses avec des effets spectaculaires pour votre piscine et votre spa. Choisissez l'un des sept spectacles de lumières colorées préprogrammés ou l'une des cinq couleurs fixes pour créer une sélection presque infinie d'effets de lumières aquatiques d'ambiance pour un résultat spectaculaire dans votre piscine ou votre spa.

Utilisation des lampes pour piscine et spa avec un interrupteur mural (12 V CA)

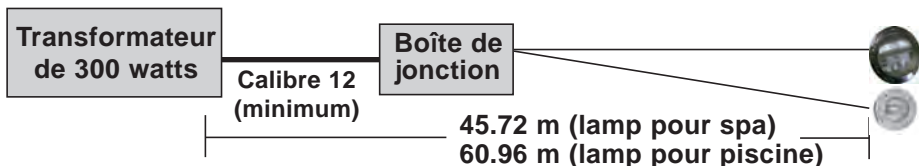
Les lampes 5G IntelliBrite pour piscine et spa peuvent être contrôlées manuellement à l'aide d'un interrupteur mural standard. Grâce à une boîte de jonction, plusieurs lampes IntelliBrite peuvent être raccordées à un seul interrupteur afin que toutes les lampes puissent être allumées et éteintes simultanément. Les lampes IntelliBrite peuvent également être contrôlées automatiquement par les systèmes de contrôle Pentair IntelliTouch®, EasyTouch® et SunTouch®. **Remarque : Plusieurs lampes IntelliBrite 5G pour piscine et spa peuvent également être contrôlées à l'aide du régulateur IntelliBrite. Pour obtenir plus d'information, voir la page 2.**

Utilisation d'un transformateur externe pour multiples lampes IntelliBrite de 12 V CA

Lors de l'utilisation de multiples lampes à DEL IntelliBrite pour piscine de 12 VCA sur un **transformateur de 300 watts**, il est recommandé de ne pas utiliser plus de deux lampes IntelliBrite pour piscine et une (1) lampe IntelliBrite pour spa. Il est aussi recommandé que la longueur totale du câble ne dépasse pas 30 m (100 pi) entre le transformateur et la lampe (schéma ci-dessous).



Si une longueur de câble plus importante est nécessaire, il est recommandé d'utiliser un transformateur de 300 watts séparé pour chaque lampe avec une longueur de câble non supérieure à 61 m au total entre le transformateur et la lampe (schéma ci-dessous).



Allumage des lampes IntelliBrite 5G

Il est possible de commander les lampes à DEL IntelliBrite 5G pour piscine en utilisant un interrupteur mural standard. De multiples lampes à DEL IntelliBrite peuvent être connectées ensemble par l'intermédiaire d'une boîte de jonction à un seul interrupteur pour les allumer ou les éteindre toutes ensemble. Les lampes IntelliBrite 5G se commandent en commutant l'alimentation CA à partir d'un interrupteur mural standard. En mettant l'interrupteur sur marche et sur arrêt un certain nombre de fois, la lampe active l'un des sept modes de jeu de lumière, les couleurs fixes, ainsi que la caractéristique d'« attente » et de « rappel ».

Sélection du mode spectacle de couleurs ou couleur fixe

Alimentation de la lampe. La lumière sera momentanément couleur, puis passera à la couleur préalablement choisie. Pour sélectionner un mode de jeu de couleurs (1-7) ou une couleur fixe (8-12), mettez l'interrupteur mural sur arrêt/sur marche un certain nombre de fois. Chaque chiffre (1-12) illustré ci-dessous correspond au nombre de rallumages au niveau de l'interrupteur pour activer un certain jeu de lumière ou une couleur fixe. Pour obtenir des détails sur la sauvegarde des effets de couleur tout en étant en modes « show » (jeu de lumière), consultez la caractéristique d'« attente » et de « rappel » à la page 4.

1. Mode SAm : passe du blanc aux couleurs magenta, bleue et verte (imite la lampe Pentair SAm®).
2. Mode Partie : changement rapide des couleurs, accumulant énergie et agitation.
3. Mode Romantique : transitions lentes d'une couleur à une autre créant un effet tranquille et envoûtant.
4. Mode Caraïbes : transitions entre divers bleus et verts.
5. Mode Amérique : transitions entre le rouge, le blanc et le bleu patriotiques.
6. Mode Coucher de soleil californien : transitions dramatiques entre les tons orange, rouge et magenta.
7. Mode Royal : tons riches et profonds.
8. Bleu : couleur fixe.
9. Vert : couleur fixe.
10. Rouge : couleur fixe.
11. Blanc : couleur fixe.
12. Magenta : couleur fixe.
13. Attente : sauvegarde l'effet de couleur actuel pendant un jeu de lumière.
14. Rappel : active le dernier effet de couleur sauvegardé.

Sauvegarde d'un mode couleur ou d'une couleur fixe : Lorsque l'alimentation des lampes IntelliBrite est coupée, le dernier Mode jeu de couleurs ou la couleur fixe est sauvegardé. Lors de prochaine alimentation de la lampe IntelliBrite, le mode jeu de couleurs ou la couleur fixe sauvegardé préalablement s'affiche. Par exemple, en « Mode Partie », l'interrupteur est à l'arrêt. Attendez plus de 10 secondes, rallumez la lampe pour relancer le « Mode Partie ».

AVERTISSEMENT

Lors de la commutation Arrêt/Marche, avant l'apparition de la couleur sélectionnée, il n'y a aucun éclairage. Ce mode de fonctionnement est normal lors de la commutation.

Lors de cette période, la piscine et le spa ne sont pas éclairés et il faut alors prendre des précautions pour éviter des accidents inattendus. Le non respect de cet avertissement peut entraîner des blessures graves, voire mortelles des utilisateurs de la piscine et du spa.

Utilisation d'un régulateur de lampe colorée IntelliBrite

Avec le régulateur IntelliBrite (vendu séparément, N/P 600054), les lampes colorées IntelliBrite 5G pour piscine et spa peuvent être synchronisées pour allumer et éteindre simultanément une seule ou plusieurs lampes IntelliBrite.

Allumage des lampes IntelliBrite 5G (suite)

Pour sélectionner un mode Spectacle de lumières colorées ou une couleur fixe, tourner le cadran pour le faire pointer dans la direction voulue.

Fonctions Hold (Mémoriser) et Recall (Rappel) : Lorsque les lampes colorées IntelliBrite sont allumées, la dernière couleur sélectionnée sera utilisée, à moins que les fonctions MÉMORISER ou RAPPEL aient été activées.

Bouton et DEL Hold (Mémoriser) : Appuyer sur ce bouton (lumière DEL allumée) pour mémoriser et enregistrer un effet de couleur durant l'affichage de l'un des modes Spectacle de lumières colorées. Sur une pression du bouton, la lumière DEL s'allumera pour indiquer que l'effet de couleur est mémorisé.

Bouton et DEL Recall (Rappel) : Appuyer sur ce bouton (lumière DEL allumée) pour activer le dernier effet de couleur mémorisé. Sur une pression du bouton, la lumière DEL s'allumera pour indiquer que l'effet de couleur est affiché.

Allumage de la lampe -Lorsque la lampe à DEL IntelliBrite LED est allumée, une lumière couleur paraît d'abord momentanément, elle est ensuite suivie de la couleur préalablement choisie.

Remarque : Si l'alimentation de la lampe est coupée pendant plus de cinq secondes, le dernier mode de jeu de couleurs ou la dernière couleur fixe qui était sauvegardé s'affichera.

Diagnostic - Utilisez les astuces suivantes pour aider à la résolution de problèmes pouvant avoir lieu lors de l'utilisation de la lampe à DEL.

Fonction d'attente et de rappel -Attente : Utilisez la fonction Attente (13 commutations) pour capter et sauvegarder un effet de couleurs tout en affichant l'un des modes jeu de lumière. Il est plus facile de capter des effets de lumière personnalisés à partir de l'un des modes de jeu de lumière lent comme le « Mode Romantique » (n° 3).

Rappel : Utilisez la caractéristique Rappel pour activer le dernier effet de couleurs sauvegardé (en utilisant la caractéristique Attente) tout en étant en mode jeu de couleurs ou couleur fixe. Pour rappeler un effet de couleur, commutez 14 fois, et après cinq secondes, le dernier effet de couleur sauvegardé sera affiché.

Problème	Cause/Action
La lampe ne s'allume pas.	Vérifiez le câblage du disjoncteur différentiel et réenclenchez-le au besoin.
La lampe ne fonctionne pas correctement.	Vérifiez la connexion du câblage de la lampe au niveau de la boîte de jonction près de la piscine et au niveau de l'interrupteur CA. Assurez-vous qu'une alimentation CA appropriée arrive à la lampe.

Remplacement de l'ensemble de la lampe IntelliBrite 5G pour piscine et spa (dans une piscine existante)



Risque de décharge électrique ou d'électrocution!

La lampe submersible doit être installée par un électricien agréé ou certifié ou par une personne qualifiée et spécialisée en piscine, selon le National Electrical Code et tous les codes et règlements locaux applicables. Une installation inappropriée entraînera un risque d'électrocution d'où blessures graves, voire mortelles des utilisateurs, installateurs de la piscine ou autres personnes suite à une décharge électrique, pouvant aussi entraîner des dommages matériels.

Débranchez toujours l'alimentation de l'éclairage de la piscine au niveau du disjoncteur avant de faire l'entretien de la lampe. Le non respect de cette consigne peut entraîner des blessures graves, voire mortelles des réparateurs, utilisateurs de la piscine et autres personnes suite à une décharge électrique.

Vérifiez que la piscine et le spa sont conformes aux exigences du National Electrical Code et à tous les codes et règlements locaux applicables. Un électricien agréé ou certifié doit installer le circuit électrique afin qu'il réponde à ces exigences et même les dépasse avant même que la lampe submersible ne soit installée. Certaines exigences du National Electrical Code que doit respecter le circuit électrique de la piscine sont les suivantes :

- 120 VAC: Le circuit de l'éclairage doit être équipé d'un disjoncteur différentiel (GFCI) pour les modèles prévus pour une alimentation sur le secteur, et d'un disjoncteur de calibre approprié. Voir l'illustration 2 à la Page 9. 12 lumières volts ne nécessitent pas une connexion de GFCI.
- La boîte de jonction (ou pour les modèles de 12 volts, le transformateur basse tension) doit être située au moins à 20,3 cm (huit [8] po) au-dessus de la ligne d'eau maximum et au moins à 10 cm (quatre [4] po) au-dessus du niveau du sol ou de la plage, suivant l'élévation la plus élevée des deux. La boîte de jonction ne doit pas être inférieure à 1,219 m (48 po) de la paroi intérieure de la piscine, à moins qu'elle soit séparée de la piscine par une clôture, un mur ou une autre barrière permanente solide.
- Connecter la niche d'éclairage à tous les autres éléments métalliques à moins de 1,524 m (cinq [5] pi) de la piscine à l'aide d'un fil de mise à la masse n° 8 AWG. Le fil de liaison électrique est situé à l'arrière de la niche, voir l'illustration 4 à la Page 10.
- La niche submersible est installée de manière appropriée de sorte que le bord supérieur du verre de la lampe soit au moins à 46 cm (18 po) en dessous de la surface de l'eau dans la piscine, voir l'illustration 4 à la Page 10. Placez la vis pilote à 12 heures.
- Si un conduit non métallique est utilisé, un fil de liaison électrique/mise à la terre n° 8 AWG doit être installé dans le conduit depuis la boîte de jonction à la cosse de liaison électrique/mise à la terre dans la niche. Sceller la connexion de fil/de cosse à l'aide d'un calfeutrant comme un système d'enrobage époxyde à deux composants et d'encapsulation homologué UL ou l'équivalent, pour protéger la connexion contre une éventuelle corrosion par l'eau de la piscine. Voir l'illustration 4 à la Page 10.

Remarque : Le circuit électrique de la piscine et du spa peut être vérifié en utilisant un nécessaire d'essai d'homologation électrique pour piscine et spa. Ce nécessaire d'essai est disponible auprès de Pentair Water Pool and Spa. L'inspection du circuit électrique à réaliser avec ce nécessaire doit être exécutée par du personnel certifié et compétent.

Remplacement de l'ensemble de la lampe IntelliBrite 5G pour piscine et spa (après la satisfaction des exigences en matière d'électricité)

Les instructions de dépose et d'installation décrivent comment enlever et installer l'ensemble de lampe à DEL IntelliBrite pour piscine et spa. Utilisez aussi ces instructions après avoir terminé le remplacement suivant de la lampe :

- **Instructions d'installation et de dépose de la lentille, du joint de l'anneau frontal et de la lampe à DEL IntelliBrite couleur pour spa, page 22.**

AVERTISSEMENT

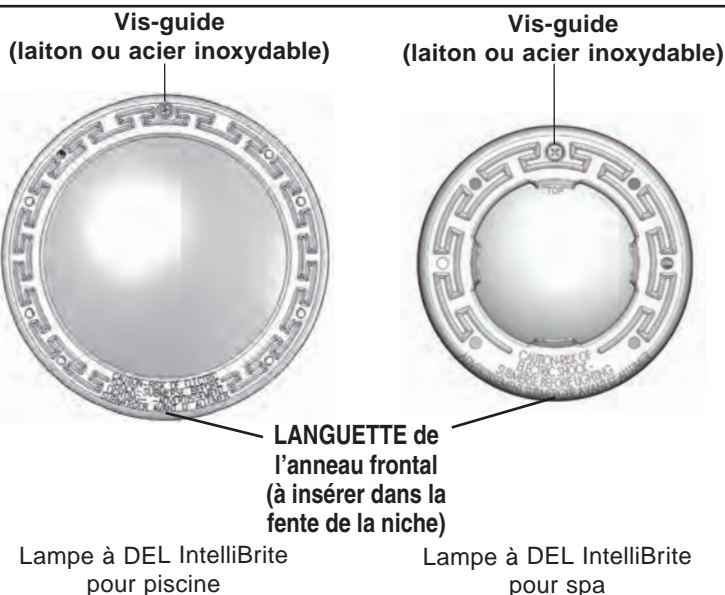
Une installation inappropriée d'un circuit électrique pour la piscine ou le spa, avant la pose de la lampe submersible, non conforme aux exigences des codes, entraînera un risque d'électrocution d'où blessures graves, voire mortelles des utilisateurs, installateurs de la piscine ou autres personnes suite à une décharge électrique, et pouvant aussi entraîner des dommages matériels.

1. **Fermer l'interrupteur électrique principal ou le disjoncteur, ainsi que l'interrupteur qui contrôle la lampe IntelliBrite submersible.**
 - **Ne pas effectuer l'entretien de la lampe lorsqu'elle est submergée. L'entretien de la lampe DOIT être effectué sur la plage.**
2. **AVERTISSEMENT ! Coupez l'alimentation au disjoncteur ou à l'interrupteur principal, et à l'interrupteur de l'alimentation de la lampe submersible IntelliBrite.**
 3. **Dépose de la piscine de l'ensemble de lampe.** Retirez la vis-guide spéciale en laiton à la partie supérieure de l'anneau frontal. Retirez l'ensemble de la lampe IntelliBrite de la niche et placez-le sur le pourtour de la piscine.
 4. Coupez le cordon à environ 30 cm (12 po) de l'arrière de l'ensemble de lampe.
 5. Retirez le couvercle de la boîte de jonction, débranchez les fils de l'appareil d'éclairage et tirez le cordon par le conduit. **Conseil : Avant de tirer le cordon, rubanez le cordon neuf au cordon existant, pour faciliter l'insertion du cordon neuf dans le conduit (voyez l'étape suivante).**
 6. Passez le cordon neuf de la lampe dans le conduit de la boîte de jonction jusqu'à la niche. **Remarque :** Selon la longueur du conduit, des outils spéciaux peuvent être nécessaires pour tirer le cordon d'un bout à l'autre du conduit.
 7. Laissez au moins 1,2 m (4 pi) de cordon enroulé(s) autour de la lampe, Figure 4 à la page 10. Ce 1,2 m de cordon enroulé autour de la lampe permettra de connecter la lampe une fois que la piscine sera remplie d'eau.
 8. Coupez le cordon au niveau de la boîte de jonction en laissant une longueur de cordon d'au moins 15 cm (6 po) pour réaliser les raccordements.
 9. Enlevez 15 cm de la gaine extérieure du cordon pour exposer les trois fils isolés – Faites attention de ne pas endommager l'isolant de ces trois fils.

10. Branchez les trois fils aux fils du circuit correspondant dans la boîte de jonction (le noir à la phase, le blanc au neutre et le vert à la terre) et remontez le couvercle de la boîte de jonction.
11. Installez l'ensemble de lampe IntelliBrite dans la niche et serrez la vis-guide spéciale en laiton.

⚠ AVERTISSEMENT

N'utilisez que la vis-guide spéciale fournie avec cette lampe submersible. Cette vis fixe le boîtier à l'anneau de montage et à la niche humide et les met à la terre. Une non utilisation de la vis fournie pourrait entraîner un risque d'électrocution d'où blessures graves, voire mortelles des utilisateurs, installateurs de la piscine ou autres personnes suite à une décharge électrique.



12. **Vérification finale du bon fonctionnement de la lampe IntelliBrite :**
Établissez l'alimentation à l'interrupteur principal ou au disjoncteur du circuit, et à l'interrupteur de l'alimentation de la lampe submersible IntelliBrite. La lampe doit s'allumer lorsque l'alimentation est établie. Sinon, revérifiez les étapes de l'installation à partir de l'étape 1 (page 5).

INSTALLATION DE LA LAMPE INTELLIBRITE 5G POUR PISCINE ET SPA (DANS UNE NOUVELLE PISCINE)

Ce qui suit décrit comment installer un appareil d'éclairage à DEL IntelliBrite blanc pour piscine et spa. Lisez la page 3 avant de commencer l'installation.

AVANT DE COMMENCER : Les étapes suivantes 1-7 (pages 10-11) décrivent les tâches que l'électricien doit accomplir avant d'installer l'appareil d'éclairage IntelliBrite. Consultez le schéma de la Figure 4 à la page 10.


AVERTISSEMENT

Assurez-vous que la piscine ou le spa est conforme aux exigences du National Electrical Code (NEC) actuel, Article 680, et à tous les codes et règlements locaux applicables. Un électricien agréé ou certifié doit installer le circuit électrique afin qu'il réponde à ces exigences et même les dépasse avant même que la lampe submersible ne soit installée. Certaines exigences du National Electrical Code que doit respecter le circuit électrique de la piscine sont les suivantes :

Le circuit de l'éclairage doit être équipé d'un disjoncteur différentiel (GFCI) pour les modèles prévus pour une alimentation sur le secteur, et d'un disjoncteur de calibre approprié.

- **120 volt:** Le circuit d'éclairage doit comporter un disjoncteur de fuite à la terre et un disjoncteur de puissance nominale appropriée. Voir l'illustration 2 à la Page 9.
- La boîte de jonction (ou pour les modèles de 12 volts, le transformateur basse tension) doit être située au moins à 20,3 cm (huit [8] po) au-dessus de la ligne d'eau maximum et au moins à 10 cm (quatre [4] po) au-dessus du niveau du sol ou de la plage, suivant l'élévation la plus élevée des deux. La boîte de jonction ne doit pas être inférieure à 1,219 m (48 po) de la paroi intérieure de la piscine, à moins qu'elle soit séparée de la piscine par une clôture, un mur ou une autre barrière permanente solide. Voir l'illustration 4 à la Page 10.
- Connecter la niche d'éclairage à tous les autres éléments métalliques à moins de 1,524 m (cinq [5] pi) de la piscine à l'aide d'un fil de liaison électrique n° 8 AWG. Le fil de liaison électrique est situé à l'arrière de la niche, voir l'illustration 4 à la Page 10.
- La niche submersible est installée de manière appropriée de sorte que le bord supérieur du verre de la lampe soit au moins à 46 cm (18 po) en dessous de la surface de l'eau dans la piscine, voir l'illustration 4 à la Page 10. Placez la vis pilote à 12 heures.
- Si un conduit non métallique est utilisé, un fil de liaison électrique/mise à la terre n° 8 AWG doit être installé dans le conduit depuis la boîte de jonction à la cosse de liaison électrique/mise à la terre dans la niche. Sceller la connexion de fil/de cosse à l'aide d'un calfeutrant comme un système d'enrobage époxyde à deux composants et d'encapsulation homologué UL ou l'équivalent, pour protéger la connexion contre une éventuelle corrosion par l'eau de la piscine. Voir l'illustration 4 à la Page 10.

Remarque : Le circuit électrique de la piscine ou du spa peut être vérifié en utilisant un nécessaire d'essai d'homologation électrique pour piscine et spa. Ce nécessaire d'essai est disponible auprès de Pentair Water Pool and Spa. L'inspection du circuit électrique à réaliser avec ce nécessaire doit être exécutée par du personnel certifié et compétent. **Remarque :** *Pour vous assurer que le circuit électrique de la piscine ou du spa répond à toutes les exigences applicables, l'électricien doit aussi consulter le Service de la construction local. N'utilisez que des niches humides de Pentair Water Pool and Spa, inc. pour assurer une liaison électrique et une mise à la terre appropriées.*

INSTALLATION DE LA LAMPE INTELLIBRITE 5G POUR PISCINE ET SPA (APRÈS LA SATISFACTION DES EXIGENCES EN MATIÈRE D'ÉLECTRICITÉ) (CANADA)

Assurez-vous que la piscine ou le spa est conforme aux exigences du Canadian Electrical Code (CE), et à tous les codes et règlements locaux applicables. Un électricien agréé ou certifié doit installer le circuit électrique afin qu'il réponde à ces exigences et même les dépasse avant même que la lampe submersible ne soit installée. Certaines exigences du CE que doit respecter le circuit électrique de la piscine sont les suivantes :

- **120 et 12 volts (GFCI): Le circuit d'éclairage doit comporter un disjoncteur de fuite à la terre et un disjoncteur de puissance nominale appropriée. Voir l'illustration 1 à la Page 9.**
- Le disjoncteur de fuite à la terre ou un transformateur doit être situé au moins à 3 m (10 pi) ou plus depuis le bord de la piscine, voir la *REMARQUE et l'illustration 3 à la Page 10.
- La boîte de jonction/de plage doit être scellée au conduit pour empêcher l'eau de pénétrer dans celle-ci, voir l'illustration 3 à la Page 10.
- Le luminaire et tous les éléments métalliques à moins de 3 m (10 pi) de la piscine doivent être raccordés électriquement de manière appropriée.
- La niche doit être installée de manière appropriée de sorte que le trou de guidage soit à la position de 12 heures et que l'axe du verre de la lampe submersible est à une profondeur maximum de 600 mm (24 po) sous la surface de l'eau dans la piscine, voir l'illustration 3 à la Page 10.
- S'assurer que la niche est raccordée électriquement de manière appropriée au moyen d'un connecteur n° 6 AWG de terrain situé à l'arrière de la niche.
- Utiliser uniquement les luminaires Pentair dans cette niche pour des connexions de liaison électrique et de mise à la terre appropriées.
- Si un conduit non métallique est utilisé, un fil de liaison électrique/mise à la terre n° 8 AWG doit être installé dans le conduit depuis la boîte de jonction à la cosse de liaison électrique/mise à la terre dans la niche. Sceller la connexion de fil/de cosse à l'aide d'un calfeutrant comme un système d'enrobage époxyde à deux composants et d'encapsulation homologué UL ou l'équivalent, pour protéger la connexion contre une éventuelle corrosion par l'eau de la piscine. Voir l'illustration 3 à la Page.

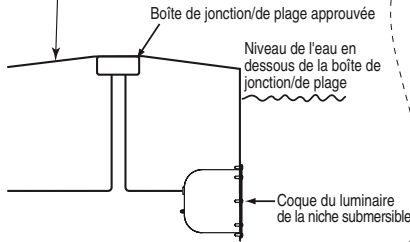
EXIGENCES EN MATIÈRE D'INSTALLATION DE BOÎTE DE JONCTION (CANADA)

Les informations suivantes sont pour l'emplacement de la boîte de jonction et de la plage pour le Canada uniquement.

Les boîtes de jonction/de plage doivent être installées : (a) au-dessus du niveau de l'eau normal de la piscine; (b) de sorte que le dessus de la boîte se trouve au niveau ou au-dessus du niveau du revêtement de la plage; (c) de telle manière à ce que l'emplacement de la boîte de jonction ne constitue pas un obstacle; et (d) de telle manière à ce que toute l'eau sur la plage soit évacuée à l'opposé de la boîte de jonction voir l'illustration 1 à la Page 9.

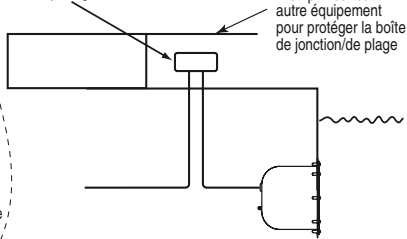
EXIGENCES EN MATIÈRE D'INSTALLATION DE BOÎTE DE JONCTION (CANADA)

L'eau de la plage est évacuée à l'opposé de la boîte de jonction/de plage



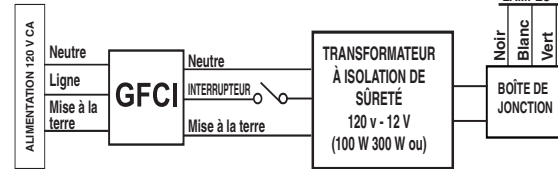
Dessus de la boîte de jonction affleurant la plage

Boîte de jonction/de plage surélevée et protégée



Boîte de jonction/de plage au-dessus de la plage et protégée

REMARQUE : POUR LES LAMPES 120 V CA, LE TRANSFORMATEUR À ISOLATION EST INCLUS DANS LE DISPOSITIF DE RACCORDEMENT.



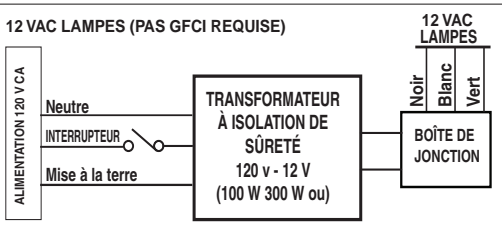
POUR L'UTILISATION DE LA LUMIÈRE, UTILISER UNIQUEMENT UN TRANSFORMATEUR D'ISOLATION DE SÛRETÉ.

REMARQUE : Raccorder les trois (ou deux) fils aux fils correspondants du circuit dans la boîte de jonction. Pour les raccords à trois fils : Brancher le fil noir à l'alimentation, le fil blanc au conducteur commun et le fil vert à la mise à la terre. **Remarque 120 et 12 volts (GFCI) : Le circuit d'éclairage doit comporter un disjoncteur de fuite à la terre et un disjoncteur de puissance nominale appropriée.**

REMARQUE : POUR LES LAMPES 120 V CA, LE TRANSFORMATEUR À ISOLATION EST INCLUS DANS LE DISPOSITIF DE RACCORDEMENT.



Illustration 1, Canada.



POUR L'UTILISATION DE LA LUMIÈRE, UTILISER UNIQUEMENT UN TRANSFORMATEUR D'ISOLATION DE SÛRETÉ. Remarque : Raccorder les trois (ou deux) fils aux fils correspondants du circuit dans la boîte de jonction. Pour les raccords à trois fils : Brancher le fil noir à l'alimentation, le fil blanc au conducteur commun et le fil vert à la mise à la terre. **Remarque 120 volts (GFCI) : Le circuit d'éclairage doit comporter un disjoncteur de fuite à la terre et un disjoncteur de puissance nominale appropriée.**

REMARQUE : POUR LES LAMPES 120 V CA, LE TRANSFORMATEUR À ISOLATION EST INCLUS DANS LE DISPOSITIF DE RACCORDEMENT.

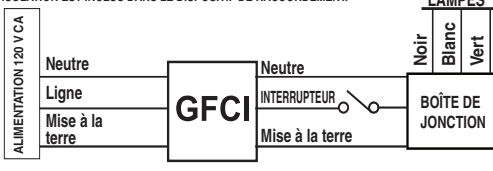


Illustration 2, USA.

INSTALLATION DE LA LAMPE INTELLIBRITE 5G POUR PISCINE ET SPA (APRÈS LA SATISFACTION DES EXIGENCES EN MATIÈRE D'ÉLECTRICITÉ)

Pour installer le luminaire IntelliBrite® pour piscine ou spa :

1. Acheminer le câble de la lampe par le conduit vers la boîte de jonction, laissant au moins 1,2 m (4 pi) de câble du luminaire enroulé autour de la lampe (permettant ainsi d'effectuer l'entretien de la lampe une fois la piscine remplie d'eau). Voir l'illustration 3 (Canada uniquement) et l'illustration 4 (É.-U.) ci-dessous.

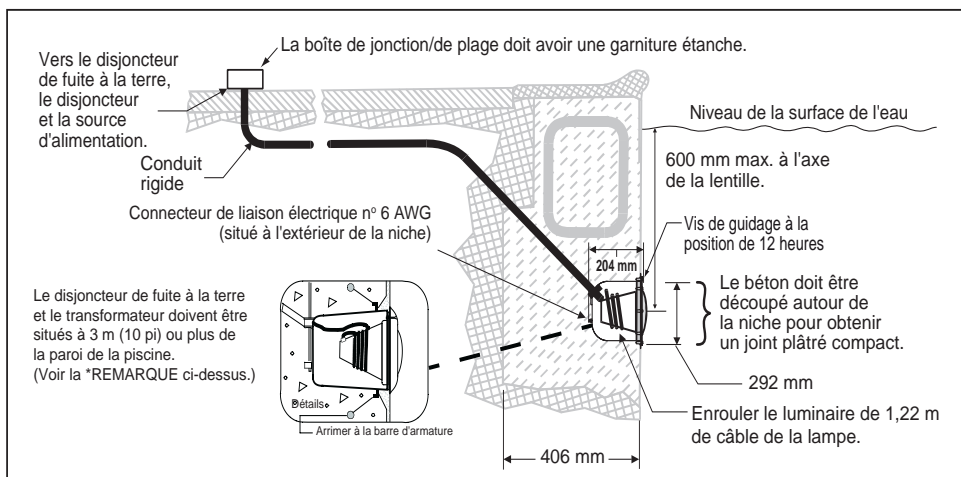


Illustration 3, CANADA

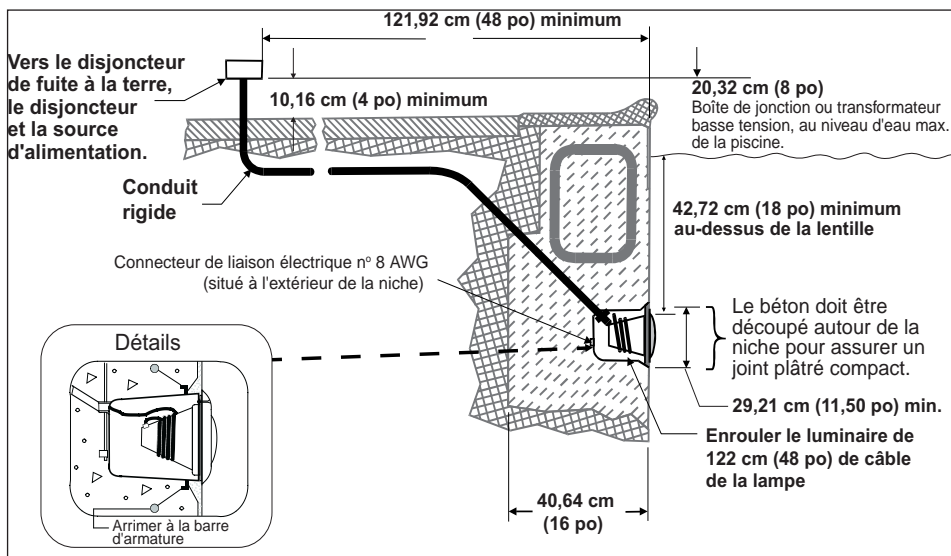


Illustration 4, É.-U.

2. Coupez le cordon au niveau de la boîte de jonction en laissant une longueur de cordon d'au moins 15 cm pour réaliser les raccordements.
3. Enlevez 15 cm de la gaine extérieure du cordon pour exposer les trois fils isolés (faites attention de ne pas endommager l'isolant de ces trois [3] fils).
4. Branchez les trois fils aux fils du circuit correspondant dans la boîte de jonction et remontez bien le couvercle de la boîte de jonction.

⚠ AVERTISSEMENT

N'utilisez jamais cette lampe submersible pendant plus de dix secondes sauf si elle est complètement submergée dans l'eau. S'il n'est pas entièrement sous l'eau, l'ensemble de lampe devient extrêmement chaud, et peut entraîner des brûlures graves ou une rupture de la lentille. Ceci pourrait provoquer des blessures graves des utilisateurs, installateurs ou autres personnes se trouvant dans la zone de la piscine, ou des dommages matériels.

5. Installez l'ensemble de lampe IntelliBrite dans la niche et serrez la vis-guide spéciale en laiton.

⚠ AVERTISSEMENT

N'utilisez que **la vis-guide spéciale fournie** avec cette lampe submersible. Cette vis fixe le boîtier à l'anneau de montage et à la niche humide et les met à la terre. Une non utilisation de la vis fournie pourrait entraîner un risque d'électrocution d'où blessures graves, voire mortelles des utilisateurs, installateurs de la piscine ou autres personnes suite à une décharge électrique.

**Vis-guide
(laiton ou acier inoxydable)**



Lampe à DEL IntelliBrite pour
piscine

**Vis-guide
(laiton ou acier inoxydable)**



Lampe à DEL IntelliBrite pour
spa

6. Remplissez la piscine jusqu'à ce que la lampe soit complètement submergée par l'eau avant d'allumer la lampe pendant plus de dix (10) secondes.
7. **Vérification finale du bon fonctionnement de la lampe :** Pour vérifier le bon fonctionnement, établissez le courant à l'interrupteur principal ou au disjoncteur, et à l'interrupteur de l'alimentation de la lampe submersible IntelliBrite elle-même. La lampe doit s'allumer lorsque l'alimentation est établie. Sinon, revérifiez les étapes de l'installation à partir de l'étape 1 (page 5).

Remplacement de faisceau de fusible pour lampe IntelliBrite® 5G pour piscine (12 V)

Ce qui suit explique comment remplacer l'ensemble de fusible de la lampe IntelliBrite 5G pour piscine (le cas échéant) et le circuit imprimé principal intégré de la lampe IntelliBrite 5G pour piscine.

IMPORTANT! Avant de remplacer l'ensemble de fusible, notez les points suivants :

Dépannage

Problème	Cause/Action
La lampe ne fonctionne pas correctement	Vérifier le raccordement électrique de la lumière à la l'interrupteur CA. S'assurer qu'une alimentation CA adéquate est acheminée à la lumière.
La lumière ne s'allume pas	Vérifier le câblage du disjoncteur de fuite à la terre et réinitialiser au besoin. Lampe IntelliBrite 5G 12 V avec ensemble de fusible de lampe Remplacer l'ensemble de fusible (voir page 12) : Remarque : Le remplacement de l'ensemble de fusible peut ne pas résoudre ce problème. Dans certains cas, l'ensemble de fusible grillera, et après avoir remplacé le fusible, le circuit imprimé de la lampe ne fonctionne toujours pas.

REPLACEMENT DE L'ENSEMBLE DE CIRCUIT IMPRIMÉ DE LA LAMPE INTELLIBRITE 5G POUR PISCINE (DANS UNE PISCINE EXISTANTE)

Au moment du remplacement de la carte de circuit imprimé de la lampe IntelliBrite pour piscine, le collier de serrage unitension (N/P 600095), le joint (N/P 620400Z) ou le joint et de la lentille (619864Z) DOIT ÊTRE REMPLACÉ – VOIR LA PAGE 18 POUR LES PIÈCES.

Dépose et installation de la carte de circuit imprimé de la lampe IntelliBrite 5G

⚠ DANGER



DANGER !

RISQUE DE DÉCHARGE ÉLECTRIQUE OU D'ÉLECTROCUTION

Débranchez toujours l'alimentation de l'éclairage de la piscine au niveau du disjoncteur avant de faire l'entretien de la lampe. Le non respect de cette consigne peut entraîner des blessures graves, voire mortelles, du réparateur, des utilisateurs de la piscine et d'autres personnes suite à une décharge électrique.

- Coupez l'alimentation à l'interrupteur principal ou au disjoncteur**, et à l'interrupteur de l'alimentation de la lampe IntelliBrite elle-même.
Ne pas effectuer l'entretien de la lampe lorsqu'elle est submergée. L'entretien de la lampe DOIT être effectué sur la plage.
- Avant le remplacement, s'assurer de disposer d'un nouveau joint pour la lentille (N/P 620400Z), d'un nouveau collier de serrage unitension (N/P 600095) et d'un nouvel ensemble de carte de circuit imprimé de lampe IntelliBrite 5G pour piscine (N/P 619875Z – 300 W, N/P 619916Z – 400 W, N/P 619917Z – 500 W) - N/P 619818Z couleur, prêts pour installation.

REPLACEMENT DE L'ENSEMBLE DE CIRCUIT IMPRIMÉ DE LA LAMPE INTELLIBRITE 5G POUR PISCINE (DANS UNE PISCINE EXISTANTE) (suite)

⚠ AVERTISSEMENT

Remplacez l'ensemble de lampe par un ensemble du même type et de la même puissance en watts. Un non remplacement de l'ensemble par un ensemble du même type endommagera l'ensemble de lampe à DEL et pourrait entraîner un risque d'électrocution d'où blessures graves, voire mortelles des utilisateurs, installateurs de la piscine ou autres personnes suite à une décharge électrique, et pouvant aussi entraîner des dommages matériels.

⚠ AVERTISSEMENT

Toujours installer l'ensemble collier de serrage unitension et le joint de la lentille au moment de la repose de l'ensemble de lampe. Toujours installer l'ensemble collier de serrage unitension et le joint de la lentille. Sinon, de l'eau pourrait pénétrer dans l'ensemble et entraîner :

- (a) un risque d'électrocution d'où blessures graves, voire mortelles des utilisateurs, installateurs de la piscine ou autres personnes suite à une décharge électrique, ou
- (b) une rupture de la lentille, qui pourrait aussi entraîner des blessures graves des utilisateurs, installateurs ou autres personnes se trouvant dans la zone de la piscine, ou des dommages matériels.

3. DÉPOSE DE L'ENSEMBLE DE LAMPE À DEL INTELLIBRITE 5G POUR PISCINE

: Retirez la vis-guide à la partie supérieure de l'anneau frontal, retirez l'ensemble de lampe de la niche. Placez l'ensemble sur le pourtour de la piscine. **Remarque** : Il n'est pas nécessaire de vider partiellement la piscine.

4. Déroulez le cordon de la base du boîtier de la lampe.

**Vis-guide
(laiton ou acier inoxydable)**



Lampe à DEL IntelliBrite
pour piscine

⚠ AVERTISSEMENT

Assurez-vous de conserver la vis-guide de la lampe à DEL IntelliBrite submersible. Cette vis fixe le boîtier à l'anneau de montage et à la niche humide et les met à la terre. Une non utilisation de la vis fournie pourrait entraîner un risque d'électrocution d'où blessures graves, voire mortelles des utilisateurs, installateurs de la piscine ou autres personnes suite à une décharge électrique.

REPLACEMENT DE L'ENSEMBLE DE CIRCUIT IMPRIMÉ DE LA LAMPE INTELLIBRITE 5G POUR PISCINE (DANS UNE PISCINE EXISTANTE) (suite)

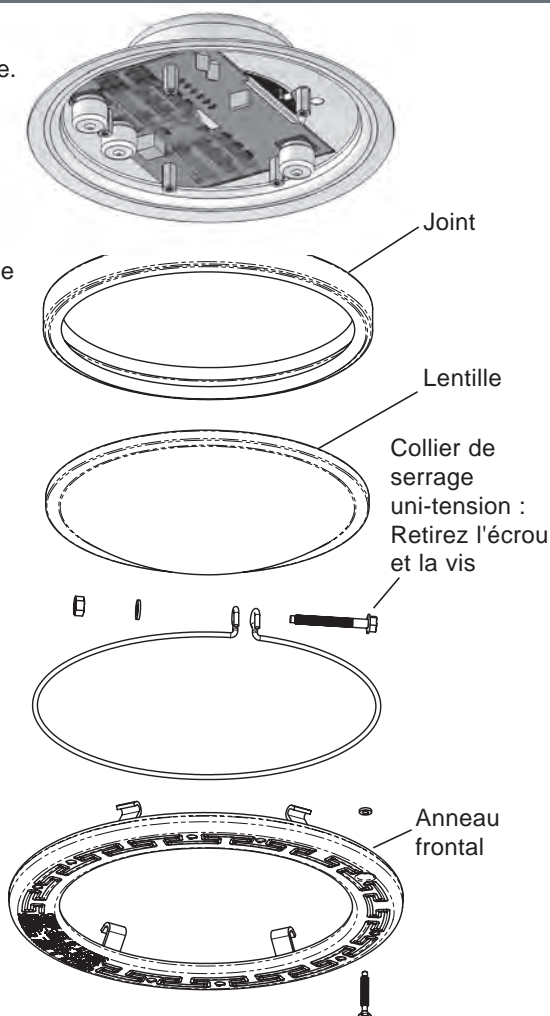
5. Placez un chiffon sur le sol pour ne pas abîmer la lentille. Retournez la lampe pour que la lentille repose sur le chiffon. À l'aide d'un tourne-écrou de 0.64 cm (¼ po) et d'un tournevis Phillips n° 3, retirez le collier de serrage uni-tension. Mettez l'écrou de côté pour le remontage.

6. Retirez l'anneau frontal et le collier de serrage du boîtier de la lampe. Jeter la pince.

7. La lampe reposant sur sa base, enlevez soigneusement le joint pour extraire la lentille. Mettez la lentille de côté pour le remontage. Jetez le joint.

Remarque : UN JOINT NEUF (PIÈCE N° 79101600) DOIT ÊTRE UTILISÉ À CHAQUE REMONTAGE DE LA LAMPE.

Consultez la page 21, pour le numéro de pièce des nécessaires de rechange.

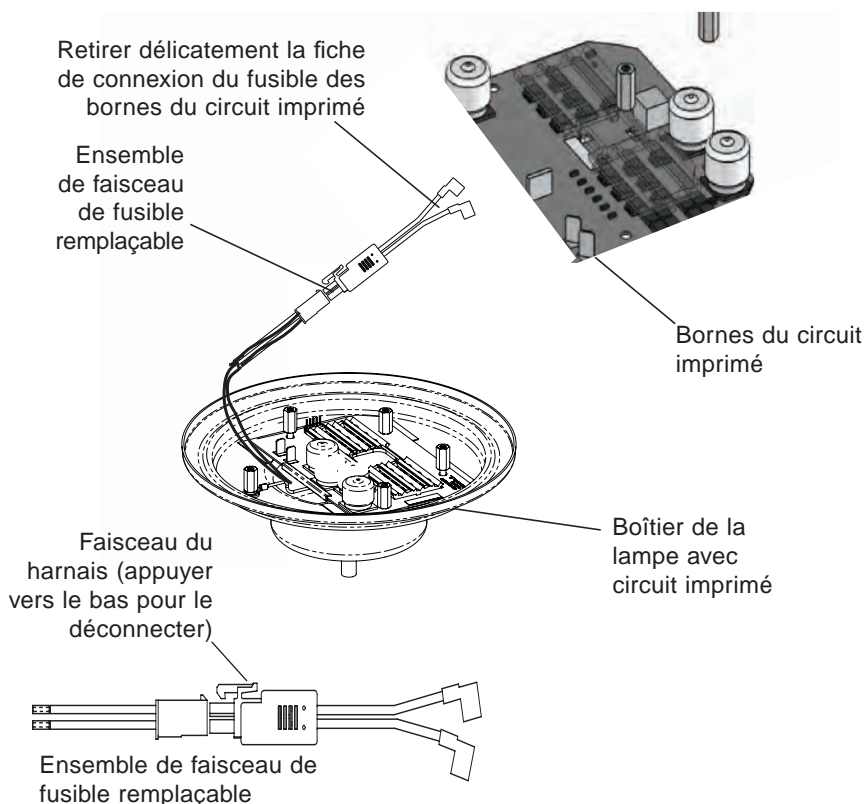


Remarque : Prenez note de la position actuelle de la lentille au niveau de la vis-guide (12 h), avant de la retirer de l'appareil d'éclairage. Un « W » sur la lentille indique un grand angle, un « N » un angle faible. Pour de plus amples renseignements, consultez la page 21.

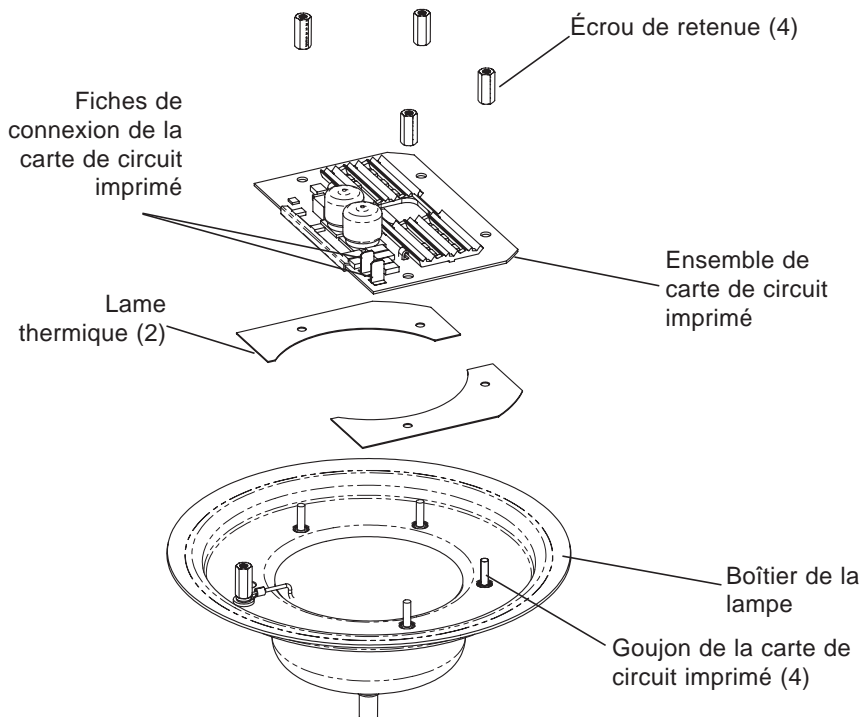
8. À l'aide d'un tourne-écrou de 0.64 cm (¼ po), enlevez soigneusement les quatre écrous de retenue de l'ensemble de lampe à DEL (illustration à la page suivante). Mettez les écrous de côté pour le remontage.
9. Débranchez les deux fiches de la carte de circuit imprimé. Soulevez la carte de circuit imprimé et retirez-la de la base du boîtier de la lampe.
10. Soulevez soigneusement les lames thermiques du fond de la base du boîtier de la lampe.

Suite à la page suivante.

REPLACEMENT DE L'ENSEMBLE DE FAISCEAU DE FUSIBLE (POUR LAMPES 12 V UNIQUEMENT)



1. Avec vos doigts, débranchez soigneusement chaque fiche de connexion du fusible des bornes du circuit imprimé. Soulevez délicatement chaque fiche avec de petits mouvements latéraux, tout en maintenant en place les bornes du circuit imprimé avec un tournevis plat. Par la suite, débranchez progressivement la fiche de connexion de la borne. *Remarque : Pour éviter des dommages permanents au circuit imprimé, veillez à ne pas arracher les bornes de la surface du circuit imprimé.*
2. Une fois les fiches de connexion du fusible retirées des bornes du circuit imprimé, séparez l'ensemble de fusible du faisceau de fils de la lampe en appuyant sur le levier de dégagement du fusible, puis en tirant doucement.
3. Insérez le connecteur du nouveau faisceau de fusible dans la fiche du faisceau de fils de lampes et les emboîter.
4. Avec vos doigts, raccordez soigneusement chaque fiche de connexion du fusible aux bornes du circuit imprimé. *N'appuyez pas trop fort sur le connecteur, car cela risquerait d'endommager les bornes du circuit imprimé.*
5. **Suite de l'« INSTALLATION DE L'ENSEMBLE DE LAMPE INTELLIBRITE® 5G POUR PISCINE AVEC NOUVEAU JOINT » à la page 17.**



1. Placez les deux lames thermiques (fournies) sur les goujons de la carte de circuit imprimé dans la base du boîtier de la lampe (consultez l'illustration à la page suivante).
2. Placez la carte de circuit imprimé de la lampe sur les goujons de la base et logez la carte de circuit imprimé sur les lames thermiques. Assurez-vous que les deux fils de connexion ne se trouvent pas pris entre le boîtier et le bord de la carte de circuit imprimé.
3. En utilisant une clé à douille 0.64 cm ($\frac{1}{4}$ "), serrez chacun des quatre (4) en conservant les noix à une valeur de couple de 6,0 (minimum) à 8,0 (maximum) en lbs pour sécuriser le circuit. Ne serrez pas les NUTS circuit..

INSTALLATION DE L'ENSEMBLE DE LAMPE À DEL INTELLIBRITE 5G POUR PISCINE AVEC UN JOINT NEUF (consultez l'illustration à la page suivante)

⚠ AVERTISSEMENT

Assurez-vous d'installer TOUS les quatre (4) écrous de retenue. Ces écrous permettent d'assurer une liaison à la terre appropriée. Une non utilisation de tous les écrous de retenue pourrait entraîner un risque d'électrocution d'où blessures graves, voire mortelles des utilisateurs, installateurs de la piscine ou autres personnes suite à une décharge électrique.

1. Branchez les deux fiches de connexion aux bornes de la carte de circuit imprimé.

Suite à la page suivante.

INSTALLATION DE L'ENSEMBLE DE LAMPE À DEL INTELLIBRITE 5G POUR PISCINE AVEC UN JOINT NEUF (consultez l'illustration à la page suivante)

2. **Installez UN JOINT NEUF SUR LA LENTILLE** (consultez l'illustration à la page suivante) : Étirez le joint en le plaçant sur le pourtour de la lentille. Assurez-vous que le joint est installé uniformément autour de la lentille.

REMARQUE IMPORTANTE: Installez le joint d'étanchéité de manière à ce que le bord plat du joint soit orienté vers la surface intérieure du joint d'étanchéité et que le joint torique noir soit placé entre l'objectif et le boîtier d'éclairage.

Remarque: Les lettres TOP sont gaufrées sur le bord plat du joint.

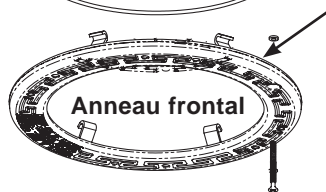
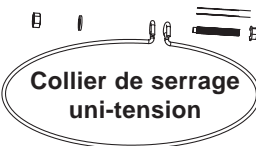
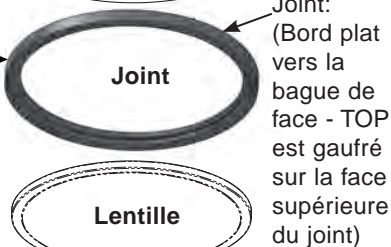
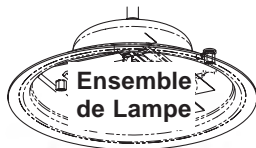
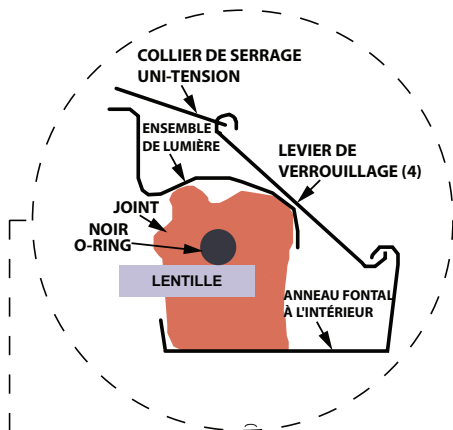
3. **ALIGNER LA LENTILLE/LE JOINT SUR LE BOÎTIER DE LA LAMPE :**

a) Le boîtier de la lampe reposant sur sa base, placez la lentille/le joint sur le boîtier de la lampe.

b) Tournez la lentille/le joint pour aligner la lettre « W » (« WIDE », grand angle) sur la lentille avec l'écrou en laiton dans le boîtier (consultez le schéma à la page 13 pour l'emplacement de l'écrou en laiton).

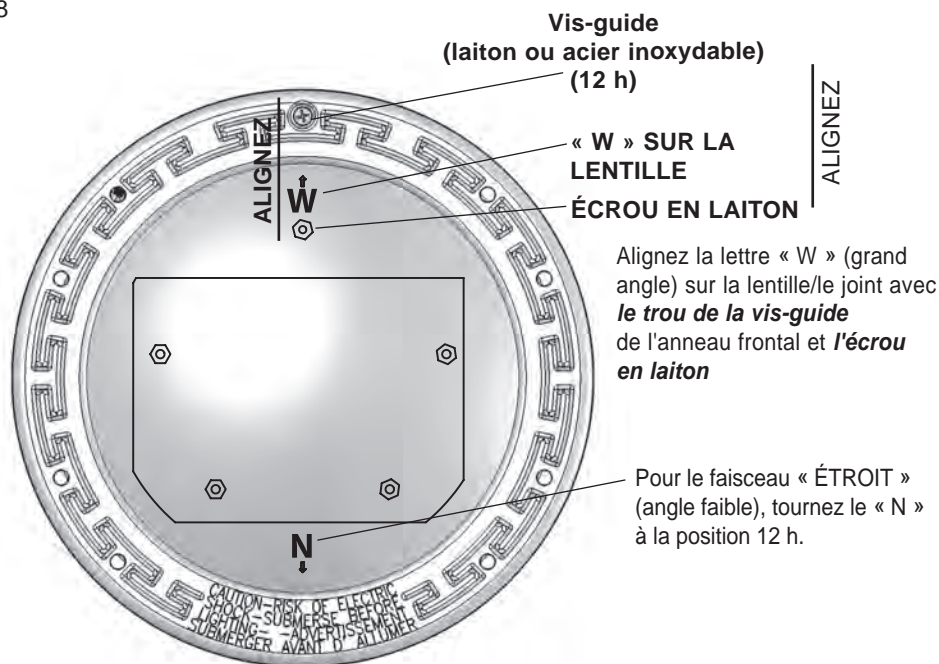
4. **INSTALLEZ L'ANNEAU FRONTAL :**

Placez l'anneau frontal sur la lentille/le joint/le boîtier. Tournez l'anneau frontal afin que **le trou de la vis-guide** s'aligne à la position 12 h, la lettre « W » (ou « N ») de la lentille et l'écrou en laiton dans le boîtier. Vérifiez aussi que l'étiquette avec flèche d'indication du haut « TOP » (page 16) à l'arrière du boîtier s'aligne avec la vis-guide de l'anneau frontal.

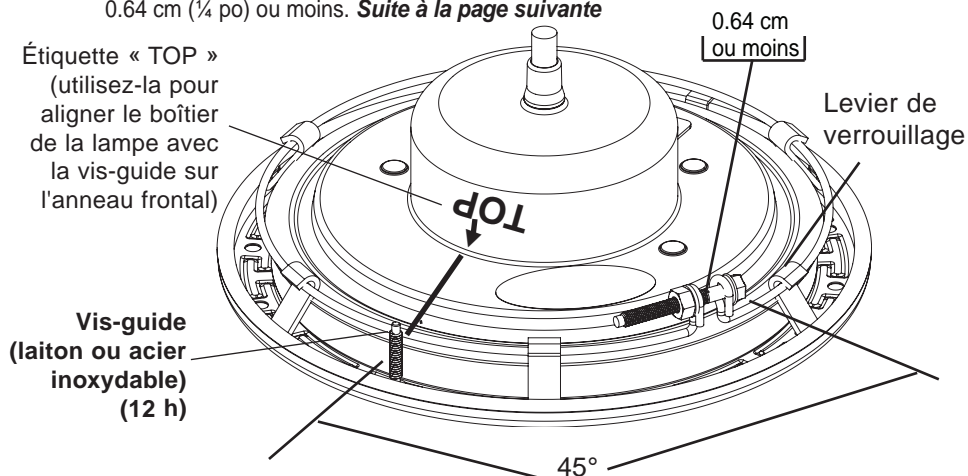


Joint - Le bord plat est dirigé vers la surface intérieure de l'anneau de face

Remarque : La lentille de la lampe IntelliBrite est expédiée de l'usine en position « WIDE » (grand angle). Pour obtenir un faisceau « NARROW/ÉTROIT » (angle faible), tournez la lentille/le joint pour l'aligner avec la lettre « N » de la lentille. Remarque : Pour de plus amples renseignements sur les angles « GRAND » et « ÉTROIT », du faisceau de la lentille, consultez la page 16.



- 5. INSTALLEZ LE COLLIER DE SERRAGE UNI-TENSION :** Les extrémités en crochet du collier de serrage filaire uni-tension se dirigeant vers le bas, écartez ce collier de serrage et placez-le dans les évidements en « U » des leviers de verrouillage. Assurez-vous que les extrémités en crochet sont situées entre la paire de leviers de verrouillage comme il est illustré ci-dessous et que le collier de serrage est correctement engagé avec tous les leviers de verrouillage.
6. Placez un chiffon sur le sol pour ne pas abîmer la lentille. Retournez la lampe pour que la lentille repose sur le chiffon. Assurez-vous que le collier de serrage est orienté de manière que la connexion à boulon se trouve positionnée à 45°.
7. Serrez le boulon et l'écrou jusqu'à ce que la distance entre les extrémités du collier soit de 0.64 cm (¼ po) ou moins. **Suite à la page suivante**



Positionnez le collier de serrage (écrou et boulon) à environ 45° entre la VIS-GUIDE et le LEVIER DE VERROUILLAGE

8. Enroulez au moins 1,2 m de cordon autour de la lampe (page 10).
Ceci permet de faire l'entretien de la lampe une fois la piscine remplie d'eau.
9. Raccordez les trois (ou deux fils) fils de lampe aux fils de circuit de la lampe correspondante dans la boîte de jonction. Pour les raccordements à trois fils : Brancher le fil noir à l'alimentation, le conducteur blanc au fil commun et le fil vert à la mise à la terre. Mettre en place le couvercle de la boîte de jonction.
10. Installez l'ensemble de lampe dans la niche de la piscine. **IMPORTANT** : Veillez à insérer la LANGUETTE sur la partie inférieure de l'anneau frontal dans la fente de la NICHE (située sur la partie inférieure de la niche). Cela est important afin de sécuriser la partie inférieure de l'ensemble de lampe dans la niche avant de serrer la vis-guide.
11. Installez la vis-guide spéciale en laiton à la partie supérieure de l'anneau frontal pour fixer la lampe à la niche.

**Vis-guide
(laiton ou acier inoxydable)**



**LANGUETTE de
l'anneau frontal
(à insérer dans la
fente de la niche)**

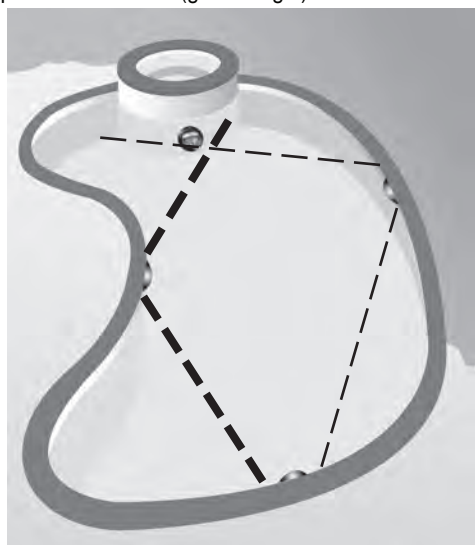
Lampe à DEL IntelliBrite
pour piscine

12. Vérification finale du bon fonctionnement de la lampe IntelliBrite : Établissez l'alimentation à l'interrupteur principal ou au disjoncteur, et à l'interrupteur de l'alimentation de la lampe submersible IntelliBrite. La lampe doit s'allumer lorsque l'alimentation est établie. Sinon, revérifiez les étapes de l'installation à partir de l'étape 1 (page 5).

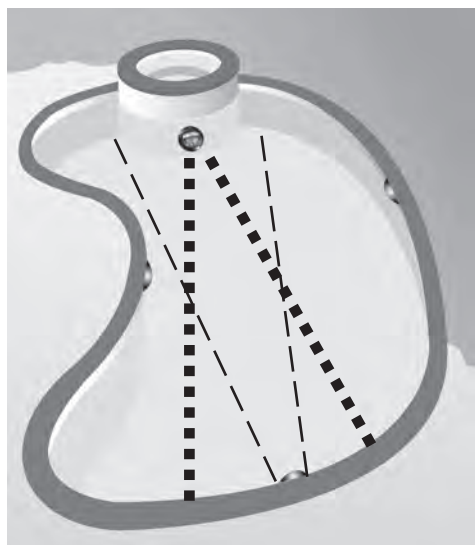
Réglage de lentille à angles large et étroit

Caractéristique unique de la lentille - à grand angle et à angle faible

La géométrie sans pareille de la lentille IntelliBrite donne un choix entre deux formes de faisceau lumineux; un à grand angle « large », ou un à angle faible « étroit » qui conviennent à des piscines de diverses dimensions. Dans le cas de lampes situées des deux côtés de la piscine, tournez la lentille à la position « WIDE » (grand angle), qui donne un faisceau de lumière plus large et une réflexion sur la largeur de la piscine. Dans le cas de lampes situées à une extrémité de la piscine, tournez la lentille à la position « N » (faisceau étroit) pour une intensité de lumière et une distance plus importantes sous l'eau. Remarque : La lentille de la lampe IntelliBrite est expédiée de l'usine en position « WIDE » (grand angle).



**FAISCEAU DE LUMIÈRE LARGE
(POUR CÔTÉS DE PISCINE)**



**FAISCEAU DE LUMIÈRE ÉTROIT (POUR
EXTRÉMITÉS DE PISCINE)**

Numéros de pièces de l'ensemble de remplacement de lampe IntelliBrite® 5G pour piscine

Remarque : Un transformateur externe 120 V CA à 12 V CA est nécessaire pour la lampe blanche IntelliBrite 5G pour piscine de 12 V CA. Consultez la page 1 pour obtenir plus de détails.

Ensemble de lampe IntelliBrite 5G pour piscine (homologation UL/CAS)

Modèle du produit	Tension	Longueur du câble (pieds)
601105	12 V	30 ft (9.2 m)
601106	12 V	50 ft (15.2 m)
601107	12 V	100 ft (30.5 m)
601108	12 V	150 ft (45.7 m)
601205	12 V	30 ft (9.2 m)
601206	12 V	50 ft (15.2 m)
601207	12 V	100 ft (30.5 m)
601208	12 V	150 ft (45.7 m)
601300	120 V	30 ft (9.2 m)
601305	12 V	30 ft (9.2 m)
601306	12 V	50 ft (15.2 m)
601307	12 V	100 ft (30.5 m)
601308	12 V	150 ft (45.7 m)

Numéros de pièces de l'ensemble de remplacement de lampe IntelliBrite® 5G pour piscine

Lampe 5G blanche pour piscine	Lampe 5G colorée pour piscine
Modèle/tension/câble (pi)	Modèle/tension/câble (pi)
601100/120 V/30 pi	01000/120 V/30 pi UL
601101/120 V/50 pi	601001/120 V/50 pi UL
601102/120 V/100 pi	601002/120 V/100 pi UL
601103/120 V/150 pi	601003/120 V/150 pi UL
601104/120 V/250 pi	601004/120 V/250 pi UL
601105/12 V/30 pi	601010/12 V/30 pi UL
601106/12 V/50 pi	601011/12 V/50 pi UL
601107/12 V/100 pi	601012/12 V/100 pi UL
601108/12 V/150 pi	601013/12 V/150 pi UL
601200/120 V/30 pi	602000/120 V/30 pi CSA
601201/120 V/50 pi	602001/120 V/50 pi CSA
601202/120 V/100 pi	602002/120 V/100 pi CSA
601203/120 V/150 pi	602003/120 V/150 pi CSA
601204/120 V/250 pi	602004/120 V/250 pi CSA
601205/12 V/30 pi	602010/12 V/30 pi CSA
601206/12 V/50 pi	602011/12 V/50 pi CSA
601207/12 V/100 pi	602012/12 V/100 pi CSA
601208/12 V/150 pi	602020/12 V/10 pi CE
601300/120 V/30 pi	
601301/120 V/50 pi	
601302/120 V/100 pi	
601303/120 V/150 pi	
601304/120 V/250 pi	
601305/12 V/30 pi	
601306/12 V/50 pi	
601307/12 V/100 pi	
601308/12 V/150 pi	

Remarque : Pieds de conversion au système métrique.

10 ft = (3.1 m)

30 ft = (9.2 m)

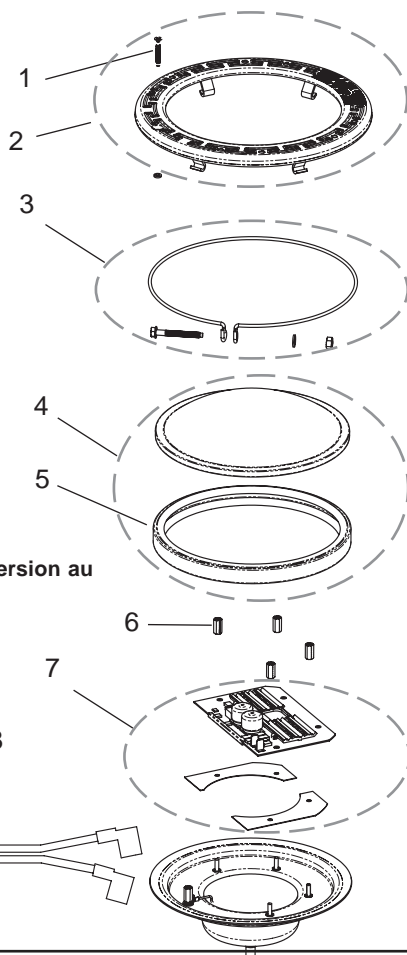
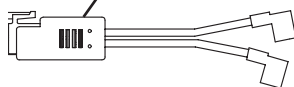
50 ft = (15.2 m)

100 ft = (30.5 m)

150 ft = (45.7 m)

250 ft = (76.2 m)

Remarque : Un transformateur externe de 120 V CA à 12 V CA est nécessaire pour le modèle de lampe IntelliBrite 5G pour piscine de 12 V CA. Consultez la page 1 pour obtenir plus de détails.



Numéro d'article	Numéro de pièce de l'ensemble	Description
2, 3, 5	600095	Ensemble d'anneau frontal en acier inoxydable. - Ensemble de collier de serrage à tension uniforme. - Joint, 20.9 cm (8-3/8") de diamètre, silicone.
4, 5	619864Z	Ensemble de remplacement de lentille. - Joint, 20.9 cm (8-3/8") de diamètre, blanc cassé. - Ensemble de collier de serrage à tension uniforme. - Lentille, IntelliBrite, piscine, 20.9 cm (8-3/8") de diamètre, trempé.
3, 5, 7	619875Z (UL) (300 W), 619916 Z (400 W), 619917Z (500 W) 619818Z (couleur standard)- 620366Z (Bleu royal)	L'ensemble de remplacement inclut : Carte de circuit imprimé, bandes thermiques (2 x). - Ensemble de collier de serrage à tension uniforme. - Joint, 20.9 cm (8-3/8") de diamètre, silicone, blanc cassé.
1	79104800	Vis-guide, avec rondelle de gomme captive.
1	619355	Vis-guide, acier inoxydable.
5	620400Z	Joint, 20.9 cm (8-3/8") de diamètre, silicone.
8	620276	Ensemble de faisceau de fusible (pour lampes 12 V seulement)

Remarque : La lampe pour piscine IntelliBrite 120 V CA dispose d'un transformateur 12 V CA intégré.

Remplacement de la lampe IntelliBrite® pour spa (Lentille)

Remarque : Lors du remplacement d'un ensemble de lampe à DEL IntelliBrite pour spa, un nouvel ensemble de lampe pour spa comprenant un moteur lumière, une lentille, un joint et un anneau frontal (consultez la page ii pour le numéro de pièce des ensembles de pièces de lampe).

⚠ DANGER



DANGER !

RISQUE DE DÉCHARGE ÉLECTRIQUE OU D'ÉLECTROCUTION

Débranchez toujours l'alimentation de l'éclairage de la piscine au niveau du disjoncteur avant de faire l'entretien de la lampe. Le non respect de cette consigne peut entraîner des blessures graves, voire mortelles, de l'installateur, du spécialiste en piscine, des utilisateurs de la piscine et d'autres personnes suite à une décharge électrique.

1. **Coupez l'alimentation à l'interrupteur principal ou au disjoncteur**, et aussi à l'interrupteur de l'alimentation de la lampe à DEL IntelliBrite submersible
- **Fermer l'interrupteur électrique principal ou le disjoncteur, ainsi que l'interrupteur qui contrôle la lampe IntelliBrite submersible.**
- **Ne pas effectuer l'entretien de la lampe lorsqu'elle est submergée. L'entretien de la lampe DOIT être effectué sur la plage.**

⚠ AVERTISSEMENT

Installez toujours un joint de lentille neuf (voir la page 15 pour les numéros de pièces des nécessaires) chaque fois que l'ensemble de lampe à DEL IntelliBrite est démonté. Sinon, de l'eau pourrait pénétrer dans l'ensemble et entraîner : **(a)** un risque d'électrocution pouvant entraîner des blessures graves, voire mortelles des utilisateurs, installateurs de la piscine ou autres personnes suite à une décharge électrique, ou **(b)** une rupture de la lentille, pouvant aussi entraîner des blessures graves des utilisateurs, installateurs ou autres personnes se trouvant dans la zone de la piscine, ou des dommages matériels.

Vis-guide (laiton ou acier inoxydable)



Lampe à DEL IntelliBrite 5G
pour spa

2. **DÉPOSE DE LA LAMPE À DEL INTELLIBRITE 5G POUR SPA :** Retirez la vis-guide à la partie supérieure de l'anneau frontal, retirez l'ensemble de lampe de la niche. Placez l'ensemble sur le pourtour de la piscine. **Remarque :** Il n'est pas nécessaire de vider partiellement la piscine.

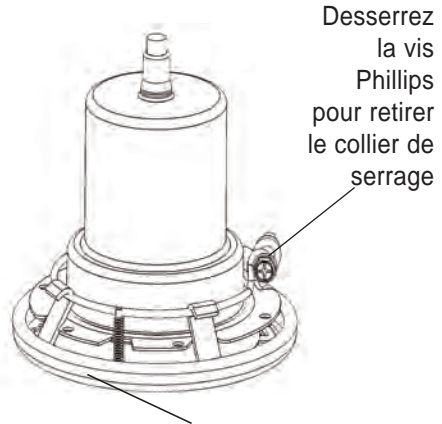
⚠ AVERTISSEMENT

Assurez-vous de conserver la vis-guide de la lampe à DEL IntelliBrite submersible. Cette vis fixe le boîtier à l'anneau de montage et à la niche humide et les met à la terre. Une non utilisation de la vis fournie pourrait entraîner un risque d'électrocution d'où blessures graves, voire mortelles des utilisateurs, installateurs de la piscine ou autres personnes suite à une décharge électrique.

3. À l'aide d'un tournevis Phillips n° 3, desserrez la vis et retirez le collier de serrage filaire uni-tension de l'anneau frontal. Jeter la pince.
4. Retirez l'anneau frontal et le collier de serrage du boîtier de la lampe. Enregistrez l'anneau frontal pour le montage de plus tard. Jeter la pince.

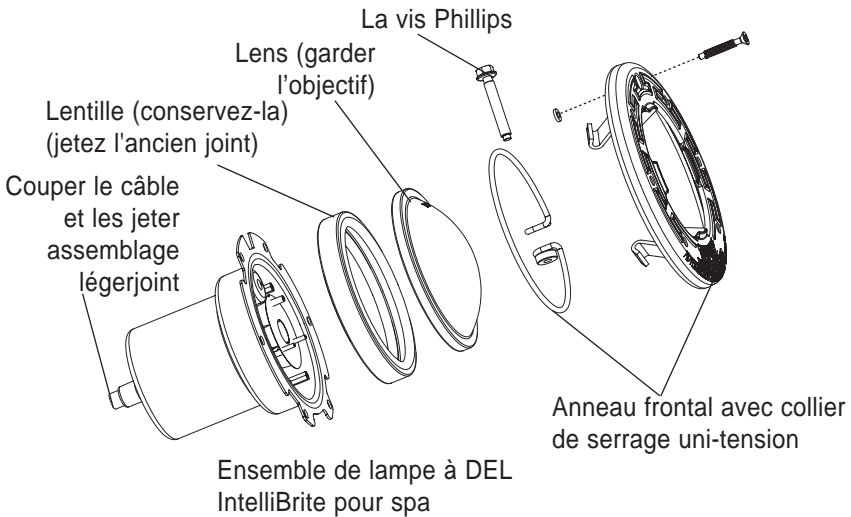
Remarque : Un transformateur externe de 120 VCA à 12 VCA est nécessaire pour le modèle de lampe à DEL IntelliBrite pour spa de 12 VCA. Consultez la page 2 pour obtenir plus de détails.

Remarque : L'appareil d'éclairage IntelliBrite pour spa est un ensemble de lampe étanche, remplaçable. La lentille, le joint et l'anneau frontal peuvent être enlevés de l'ensemble de lampe étanche pour être remplacés. Consultez la page 23, pour le numéro de pièce des nécessaires de rechange.

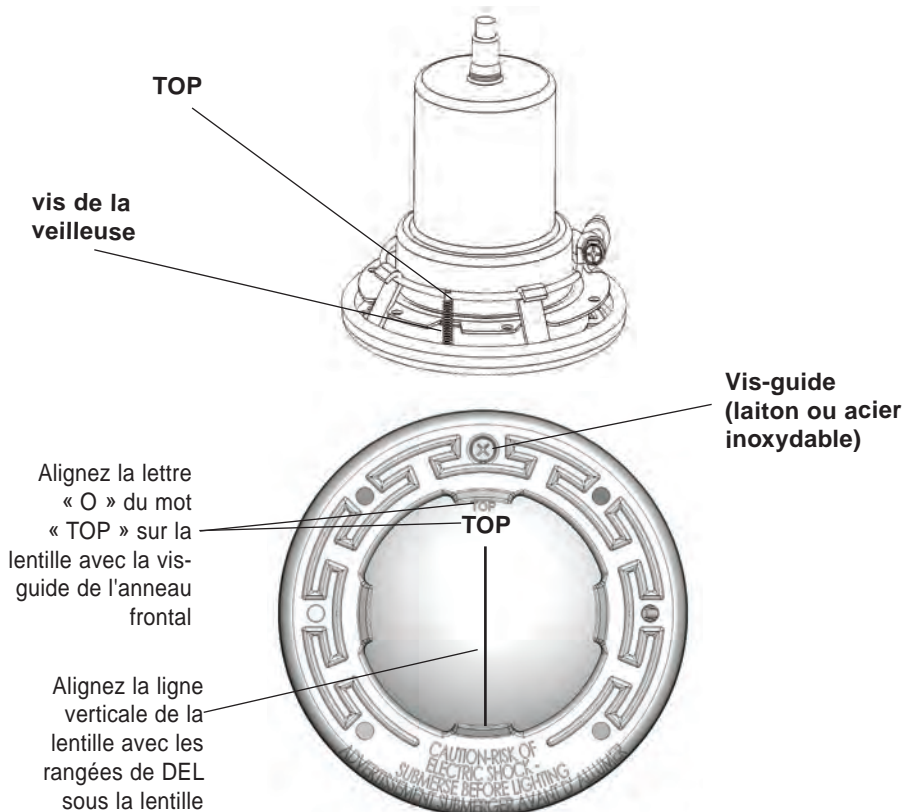


Appareil d'éclairage IntelliBrite blanc pour spa avec lentille, joint et anneau frontal fixés

5. L'ensemble de lampe reposant sur sa base, enlevez soigneusement le joint pour extraire la lentille. Jetez le joint. UN JOINT NEUF POUR LENTILLE DOIT ÊTRE UTILISÉ À CHAQUE REMONTAGE DE LA LAMPE À DEL POUR SPA.

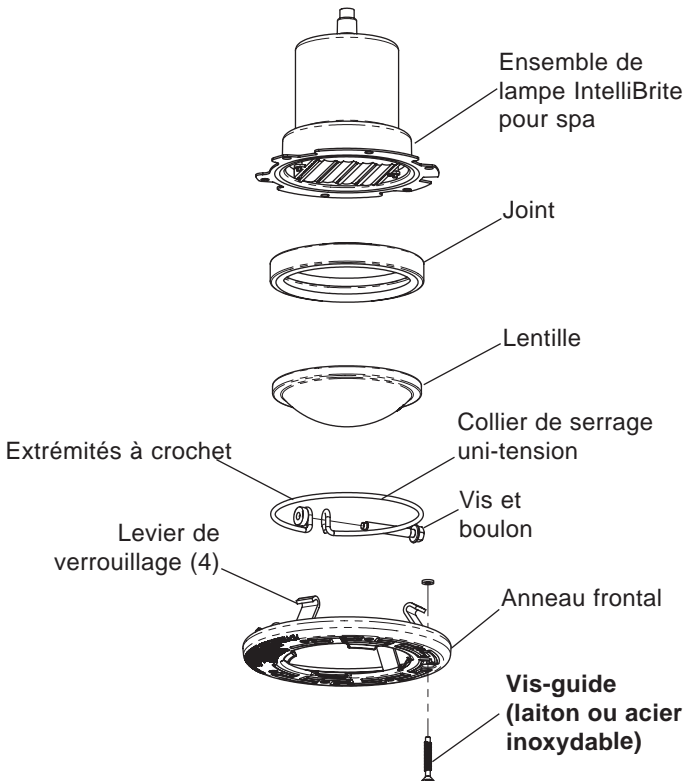
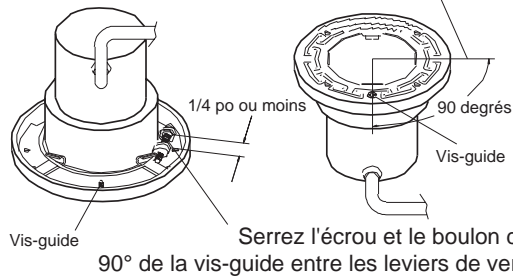


6. **INSTALLATION DE LA LAMPE À DEL INTELLIBRITE 5G POUR SPA AVEC UN JOINT NEUF :** Installez un joint neuf lors du remontage de la lampe à DEL IntelliBrite 5G pour spa. UN JOINT NEUF POUR LENTILLE DOIT ÊTRE UTILISÉ À CHAQUE REMONTAGE DE LA LAMPE.
7. **Installez un joint neuf sur la lentille :**
- Le boîtier de la lampe reposant sur sa base, placez la lentille, puis le joint sur le dessus du boîtier de la lampe.
 - Placez l'anneau frontal sur le joint. Assurez-vous que la lentille et le joint sont centrés correctement sur le boîtier de la lampe.
 - Alignement de l'anneau frontal et de la lentille :** Alignez l'anneau frontal et la lentille afin que la lettre « O » du mot « TOP » et la petite flèche au-dessus de celui-ci sur la surface de la lentille se dirigent vers le trou de la vis-guide de l'anneau frontal.
 - Alignement de la lentille avec les DEL :** Tout en regardant au travers du devant de la lentille, tournez légèrement la lentille jusqu'à ce que les lignes verticales de la lentille se focalisent sur les quatre rangées de DEL ci-dessous.

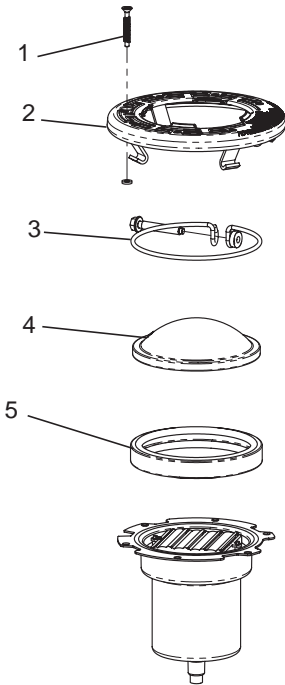


8. Les extrémités en crochet du collier de serrage filaire uni-tension se dirigeant vers le bas, écartez ce collier de serrage et placez-le dans les évidements en « U » des leviers de verrouillage. Assurez-vous que les extrémités à crochet du collier de serrage sont situées entre la paire de leviers de verrouillage comme il est illustré ci-dessous et que le collier est correctement engagé avec tous les leviers de verrouillage.
9. Placez un chiffon sur le sol pour ne pas abîmer la lentille. Retournez la lampe pour que la lentille repose sur le chiffon. Serrez le boulon et l'écrou jusqu'à ce que la distance entre les extrémités du collier soit de 0.64 cm (1/4") ou moins.
10. **PASSEZ À « Remplacement de l'ensemble de lampe à DEL IntelliBrite pour spa (piscine ou spa existant) » à la page 5 pour les instructions d'installation de l'ensemble de lampe pour spa.**

Orientation du boulon et du collier de serrage



Numéros de pièces de l'ensemble de remplacement de lampe IntelliBrite 5G pour spa



Ensemble de lampe colorée IntelliBrite® 5G pour spa (homologation UL/CSA)

Modèle du produit	Tension	Longueur du câble (pieds)
640120	120 V	30 ft (9.2 m)
640121	120 V	50 ft (15.2 m)
640122	120 V	100 ft (30.5 m)
640123	120 V	150 ft (45.7 m)
640124	120V	250 ft (76.2 m)
640130	12 V	30 ft (9.2 m)
640131	12 V	50 ft (15.2 m)
640132	12 V	100 ft (30.5 m)
640133	12 V	150 ft (45.7 m)
*640125	120 V	150 ft (45.7 m)
*640135	12 V	150 ft (45.7 m)

Note: (*) Bleu Royal

Ensemble de lampe blanche IntelliBrite® 5G pour spa (homologation UL/CSA)

Modèle du produit	Tension	Longueur du câble (pieds)
640140	120 V	30 ft (9.2 m)
640141	120 V	50 ft (9.2 m)
640142	120 V	100 ft (9.2 m)
640143	120 V	150 ft (9.2 m)
640144	120 V	250 ft (9.2 m)
640150	12 V	30 ft (9.2 m)
640151	12V	50 ft (9.2 m)
640152	12 V	100 ft (9.2 m)
640153	12V	150 ft (9.2 m)

Pièce n° (néc.)	Description
2,3,5 640045	Ensemble d'anneau frontal, acier inoxydable - Ensemble de collier de serrage uni-tension - Joint, 10.2 cm diamètre (4 de), blanc cassé
3,4,5 640046	Joint, 10.2 cm diamètre (4 de), blanc cassé - Ensemble de collier de serrage uni-tension - Lentille, IntelliBrite, spa, 10.2 cm diamètre (4 de), trempée
1 79104800	Vis-guide avec rondelle gommée imperdable
1 619355	Vis-guide, acier inoxydable.
5 79108600	- Joint, 10.2 cm diamètre (4 de), silicon

Remarque : Un transformateur externe de 120 VCA à 12 VCA est nécessaire pour le modèle de lampe à DEL IntelliBrite pour spa de 12 VCA. Consultez la page ii pour obtenir plus de détails.

Notes



PENTAIR WATER POOL AND SPA, INC.

1620, HAWKINS AVE., SANFORD, NC 27330 • + 1-919-566-8000

10951, WEST LOS ANGELES AVE., MOORPARK, CA 93021 • + 1-805-553-5000

WWW.PENTAIR.COM

Toutes les marques et tous les logos de Pentair sont la propriété de Pentair, Inc. Pentair Aquatic Systems®, IntelliBrite®, EasyTouch®, IntelliTouch® et SunTouch® sont des marques de commerce ou des marques déposées de Pentair Water Pool and Spa, Inc. ou de ses sociétés affiliées aux États-Unis ou dans d'autres pays. Sauf indication expressément contraire, les noms et les marques de tiers qui peuvent être utilisés dans le présent document ne sont pas utilisés pour indiquer une affiliation ou une approbation entre les propriétaires de ces marques et Pentair Water Pool and Spa, Inc. Ces noms et ces marques peuvent être des marques de commerce ou des marques déposées de ces tiers. Parce que nous améliorons constamment nos produits, Pentair se réserve le droit de changer ses caractéristiques sans avis préalable. Pentair offre l'égalité d'accès à l'emploi.

© 2019 Pentair Water Pool and Spa, Inc. Tous droits réservés. Ce document peut être modifié sans avis préalable.



N/P 620278 RÉV. C 2/2019