

⚠️ WARNING

To reduce the risk of drowning, entrapment, falls, paralysis, electrocution, or other serious injury or death:

Dealer/Installer: Give manual to homeowner.

Installer: Read "**Safe Installation**" on page #2 and all instructions before beginning. For proper assembly and installation, instructions must be followed completely.

Homeowner: Read "**Safe Use**" on back cover before using. Save these instructions. Installation must comply with local codes and may require permits.

MODEL #7100X A-FRAME LADDER

Adjusts to fit pools 48" to 54"

Ladder must be attached to pool frame - do not use with inflatable pools.

SWING UP SECTION OF LADDER MUST BE INSTALLED ON OUTSIDE OF POOL

WEIGHT LIMIT 300 LBS.

ASSEMBLY, INSTALLATION AND USE MANUAL

Assembly video available online: www.conferplastics.com



**Scan to
see our
Installation
Videos**

The Anti-Entrapment Barrier is included in this ladder as required by ISPSA requirements.

The Anti-Entrapment Barrier is NOT intended as a substitute for competent adult supervision.



Proudly Made in U.S.A. by

CONFER
plastics inc.

Model #7100X A-FRAME LADDER

Ladder must be attached to pool frame - DO NOT USE with inflatable pools

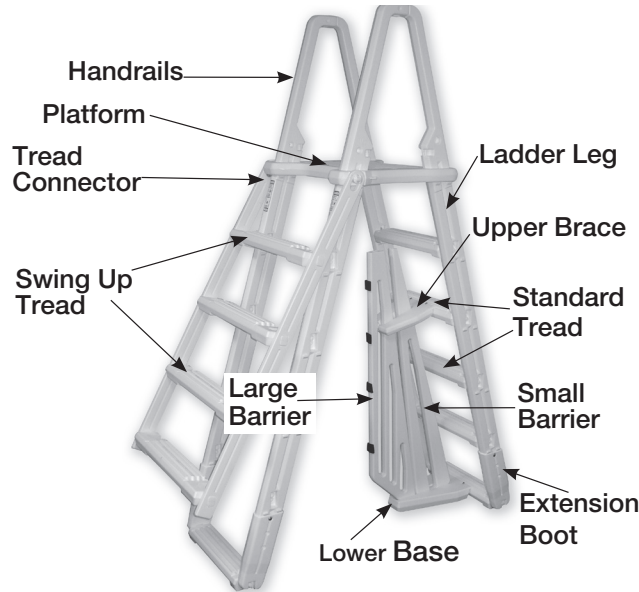
If missing parts call - Toll free U.S./Canada - 800-635-3213 or www.conferplastics.com

Parts List

- 4 - Ladder Legs
- 2 - Tread Connectors
- 4 - "Swing Up" Treads
- 6 - Standard Treads
- 4 - Extension Boots
- 1 - Platform
- 4 - Handrails

Hardware Pack

- 4 - 1/4 - 20 x 2" Bolt
- 4 - 1/4 - 20 Acorn Nut
- 2 - #10 x 1-1/4" Screw
- 2 - 1/4 - 20 x 2-1/4" Bolt
- 2 - 1/4" Flat Washer
- 10 - 1/4 - 20 Hex Nut
- 4 - Plug
- 1 - Padlock
- 8 - 1/4 - 20 x 1" Bolt



Tools Needed for Assembly

- * - Hammer or mallet
- * - Phillips Screwdriver
- * - Adjustable wrench
- * - Liquid soap or lubricant
- * - Battery operated drill
- * - 5/16" Drill bit

Barrier Parts List (if included)

(Included in Hardware Pack)

- 4 - #10 x 1-1/4" screws
- 1 - Strip of 4 Foam Pads
- 1 - Large Barrier Section
- 1 - Small Barrier Section
- 1 - Upper Brace
- 1 - Lower Base

Use a little liquid soap to help with ladder assembly.



IMPORTANT: LADDER ADAPTER KIT

LAK kit fits Confer A-frame ladders for use with non-traditional metal framed swimming pools with a wall height of 48" - 54".

Use with models: 7100b, 7100x, 7000x, 7000b, 7200 and 8100x.

Not for use with inflatable pools.

OPTIONAL CONVERSION KIT

To easily convert your A-frame ladder to a deck/inpool ladder order our #CK7100-X conversion kit. The kit includes all parts and hardware needed. Deck cannot be higher than the pool top ledge.

Safe Installation

⚠ WARNING

To reduce the risk of electrocution, drowning, entrapment, falls, or other serious injury or death:

Check building codes/permitting. Consult your local Building Department before installation of your pool and equipment. Pool/equipment installation must comply with the codes of the authority having jurisdiction and may require permits (e.g., building, plumbing, electrical, zoning, etc.).

Use for intended purpose only

- Use only as a swimming pool ladder.
- This ladder is designed and manufactured for a specific pool wall height and/or deck of the pool - check product specification and the height of your pool.

Check that you have all required parts. Check the contents of the carton with the Parts List for this ladder. All parts and hardware are required. If any parts are missing, **DO NOT attempt to assemble or install the ladder.** Instead, call Toll Free U.S. - 800-635-3213 or visit our web site at www.conferplastics.com for assistance.

Select an appropriate location - The ladder must be located on a level, solid base and in a location that will be in full view of competent adult supervision when in use.

Follow all instructions

- For stable, correct assembly and installation, all instructions must be followed completely and in the sequence shown.
- Follow the manufacturer's recommendations for the safe use of all hand tools and equipment used during installation.

Cordless drill only - no corded drills near pool. Use a cordless drill for assembly and installation. To reduce the risk of electrocution, NEVER use a corded drill in or around a pool.

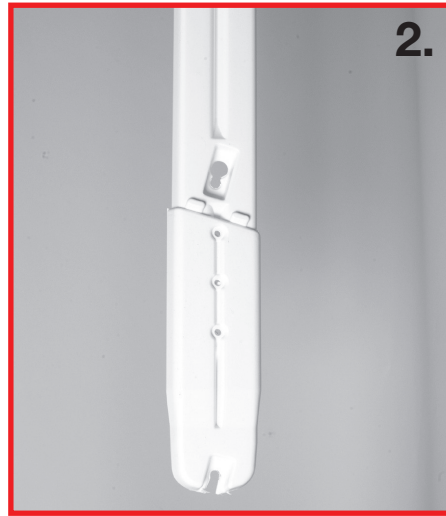
Lift safely. When lifting awkward or heavy loads, have another person help you.

Double check after installation

- Before using the product, after assembly and installation, go over the instructions and procedures again to make sure nothing has been overlooked.
- Make sure that safety labels are installed and legible.



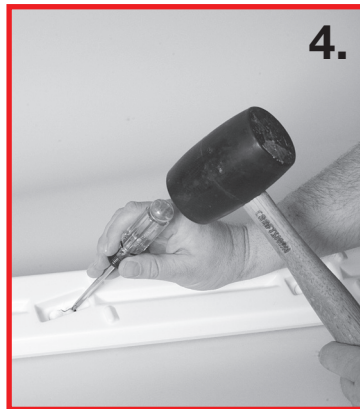
1. If the round plastic inserts, on the sides of the extension boots, are still in place, remove them with a phillips head screwdriver as shown.



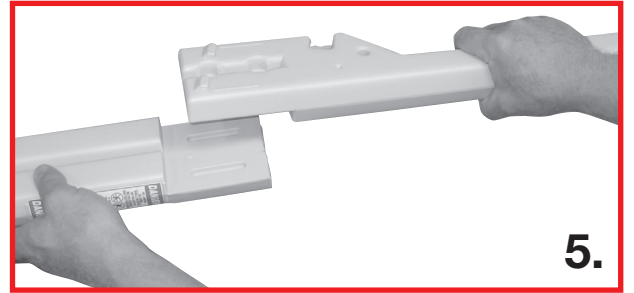
2. Slip the four extension boots over the ends of the ladders legs. They will need to be all the way on for most 52" tall pools and backed off one hole for 54" pools. Depending upon ground levels outside the pool, and sand levels under the liner inside the pool, a final adjustment may need to be made after the ladder is put into place.



3. Using four 1/4-20 x 2" long bolts and four acorn nuts fasten the extension boots to the ladder legs



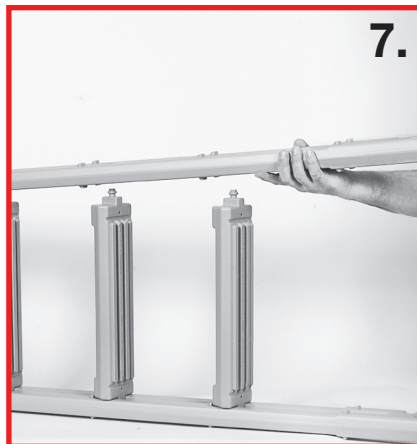
4. Using a Phillips screwdriver, knock out all four of the keyhole slot inserts from two of the ladder legs.



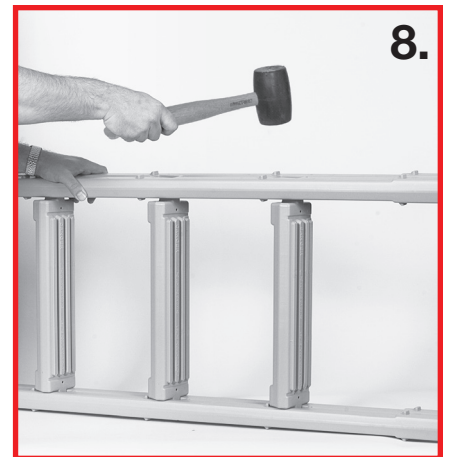
5. Place handrail over the flat area located on top of ladder leg. Insert one of the 1/4 - 20 x 1" bolts through the ladder leg into the handrail. Place one 1/4 - 20 hex nut into the recessed area on the handrail and tighten using a Phillips screwdriver. Install the second bolt and nut. Repeat to assemble all four ladder leg/handrail assemblies.



6. Push the end of one of the standard treads into the uppermost keyhole slot. Make sure that the tread and the ladder leg are positioned as shown in the photograph to the left. It may be necessary to tap the tread into the slot with a mallet. Repeat for three additional treads.



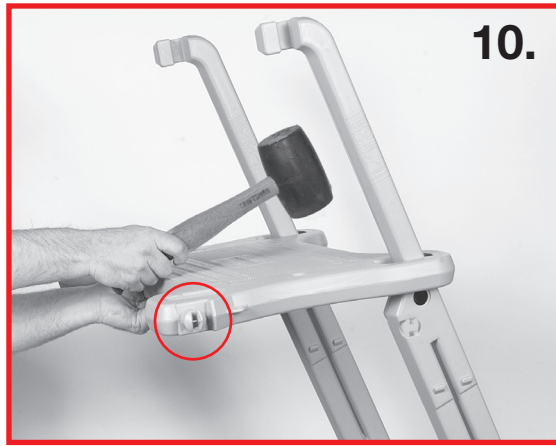
7. Place the second ladder leg with the keyhole inserts removed over the treads and tap down.



8. Tap the ladder leg down onto the ends of the treads.



With the ladder standing up, tap the treads all the way down until seated in the keyhole slots



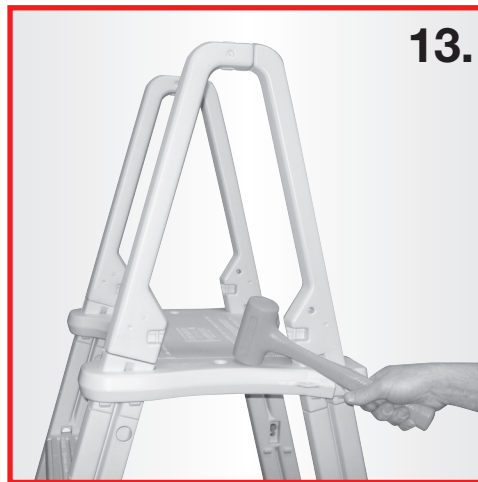
Making sure that the "swing-up" side of the platform is facing away from the "inside" ladder section, as shown, slip the openings of the platform over the upper ends of the ladder legs. Using a mallet or hammer tap the platform down until it is fully seated onto the "nubs" of the ladder legs. Liquid soap or lubricant will help the parts slide together.



Slip the other two ladder legs through the openings of the platform until they engage the other ladder legs as shown in next photo.



Connect the top of the handrails together.



Tap the platform down until fully seated on the lugs as shown.



Using a #10 x 1-1/4" screw fasten the upper ends of the handrails together as shown. Repeat for opposite side.



Attach the two remaining standard treads to the extension boots (or directly to the ends of the ladder legs if installing on a 48" tall pool).



Position the four "swing up" treads onto the ladder legs as shown.

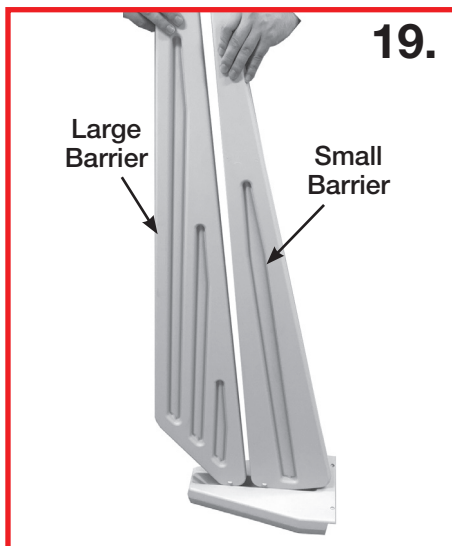


Position the tread connector as shown, with the padlock hole facing upward, and tap it over the round knob. Repeat for the opposite tread connector.

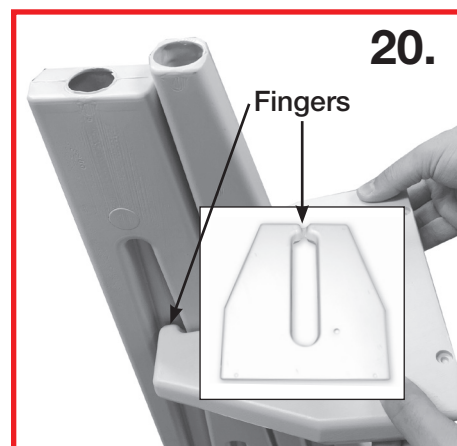
If Ladder *did not* include Barrier, skip step 21. Continue to step 22.



Lay ladder on its side, put a little liquid soap onto the square ends of the treads. Next place the tread connector onto the ends of the treads and strike hard with a rubber mallet to seat tread connector onto the treads. Flip ladder over and repeat for second tread connector.



Snap Small and Large Barrier Sections into slots on Lower Base as shown.





Separate Barrier sections at the top slightly and position Upper Brace over Small Barrier Section. Next, spread the "fingers" on the Upper Brace and slide into position on the Large Barrier Section.



Place the Base and Brace into position, centered, on the bottom and fourth treads of the ladder. Install the four (4) #10 x 1-1/4" screws (included in hardware pack) on a slight angle, first in the Upper brace, then in the Lower Base. Install the self-adhering foam strips to the Large Barrier Section as shown in diagram.

WARNING! Verify that your chosen location is level, has a solid base, and will be in full view of competent adult supervision when in use.

Swing Up Instructions

To close ladder: move "Swing up" portion of ladder shown in "up" position as shown and secure with included padlock.
 To use ladder: unlock the padlock and move it to the "holding" area. Move "Swing" portion of the ladder to the "down" position as shown.

WARNING! when pool is NOT IN USE, keep the outer treads in the up position and locked with the padlock.

WARNING! For Maximum stability, the ladder must be fastened to the top of the pool.

22. PLACE LADDER IN POOL
 Fill the two inner legs with water and cap the fill holes with plugs. Cap the fill holes in the two outer legs; do not fill outer legs with water. Place the ladder over the pool top seat with the swing up treads on the outside of the pool. Tip the ladder sideways to allow the treads to fill the water. This will prevent floating. The platform should rest on the pool top seat and the bottom tread should rest firmly on the pool bottom. If they do not, the extension boots may be adjusted up or down as required to achieve the best fit.

23. ATTACH LADDER TO POOL
 Position the ladder at the desired location on the pool top seat and mark the two locations of the holes in the platform onto the top seat. Move the ladder away. With a cordless drill, drill two holes through the pool top ledge.

WARNING! Using a corded drill near pool may result in electrocution.

Fasten the ladder platform to the top seat using two 1/4-20 x 2-1/4" bolts, 1/4" flat washers, and 1/4-20 hex nuts.

Safe Use

WARNING

To reduce the risk of drowning, entrapment, falls, paralysis, or other serious injury or death:

Use ladder properly.

- **No diving or jumping from ladder** - shallow water; risk of paralysis or death.
- FOR ENTRY/EXIT OF POOL, FACE THE LADDER AT ALL TIMES.
- ONE PERSON ON THE LADDER/STAIR AT A TIME.
- To reduce the risk of entrapment or drowning, DO NOT swim through, behind or around ladder.
- Illuminate the ladder when using the pool at night.

Weight limit - 300 lbs maximum. Exceeding maximum weight may cause the ladder to fail.

Secure ladder when not in use. When pool is NOT IN USE, keep outer treads in the up position and locked with the padlock. (See "Swing Up Instructions", page 5.)

Watch children at all times when they are in or around water to help prevent drowning.

BE SURE AND SAFE. The manufacturer **IS NOT** responsible for improper assembly Installation and use.

MAINTENANCE: Check the padlock for proper operation and lubricate if necessary.

WINTERIZING: Unfasten the ladder from pool top seat and remove from the water. Remove the plugs and lay ladder on its side to drain. It will take several minutes for the water to drain out of the ladder rails and treads. A small amount of water left in ladder will not cause any damage. Replace the plugs so they won't get lost. To reinstall, see Step #22.

CONFER PLASTICS INC. FIVE YEAR WARRANTY

Confer Plastics Inc. warrants their swimming pool ladders and spa products to be free from defects in workmanship for five years from date of purchase.

DO NOT RETURN DEFECTIVE PART TO DEALER

E-MAIL CONFER PLASTICS AT: LADDERS@CONFERPLASTICS.COM
A PICTURE [S] OF DEFECTIVE PART, A BRIEF DESCRIPTION OF PROBLEM,
PROOF OF PURCHASE AND YOUR CONTACT INFORMATION.

INFORMATION MAY ALSO BE FAXED TO CONFER PLASTICS AT: **716-694-3102**
OR MAILED TO THE ADDRESS BELOW. UPON REVIEW OF THE INFORMATION YOU
WILL BE NOTIFIED IF PART IS COVERED UNDER THE WARRANTY AND
THE SHIPPING/HANDLING CHARGES.

This warranty gives you specific legal rights, and you may also have other rights which may vary from state to state.

Confer Plastics Inc., 97 Witmer Road, North Tonawanda, N.Y. 14120-2421

MADE IN THE USA



CONFER
plastics inc.

97 Witmer Road
North Tonawanda, New York 14120-2421
Toll Free U.S. 800-635-3213
FAX 716-694-3102
www.conferplastics.com